

US00D922023S

(12) **United States Design Patent**
Chen

(10) **Patent No.:** **US D922,023 S**

(45) **Date of Patent:** **** Jun. 8, 2021**

(54) **UTILITY CART**

(71) Applicant: **SHENZHEN WANGYI**
E-COMMERCE CO., LTD., Shenzhen
(CN)

(72) Inventor: **Huasheng Chen**, Shenzhen (CN)

(73) Assignee: **SHENZHEN WANGYI**
E-COMMERCE CO., LTD., Shenzhen
(CN)

(**) Term: **15 Years**

(21) Appl. No.: **29/748,356**

(22) Filed: **Aug. 28, 2020**

(51) **LOC (13) Cl.** **12-02**

(52) **U.S. Cl.**
USPC **D34/21**

(58) **Field of Classification Search**

USPC D34/12, 17, 21
CPC .. B62B 1/00; B62B 1/008; B62B 1/12; B62B
3/002; B62B 3/006; B62B 3/02; B62B
3/10; B62B 5/0083

See application file for complete search history.

(56) **References Cited**

U.S. PATENT DOCUMENTS

D436,239 S * 1/2001 Walsh D34/17
D523,202 S 6/2006 Willison
7,168,715 B1 * 1/2007 Friedman B62B 3/006
280/33.991

D710,064 S 7/2014 Schumaker et al.
D756,584 S * 5/2016 Dunford D34/12

D757,387 S * 5/2016 Cao D34/21
D798,520 S 9/2017 Walter et al.
D831,390 S * 10/2018 Li D6/675.1
D832,549 S * 10/2018 Cao D34/21
D846,824 S * 4/2019 Cao D34/21
D850,753 S * 6/2019 Cao D34/21
D852,448 S * 6/2019 Hu D34/21
D852,449 S * 6/2019 Hu D34/21
D899,826 S * 10/2020 Cheng D6/675.1
D901,123 S * 11/2020 Liu D34/21
D901,816 S * 11/2020 Liu D34/21
D901,817 S * 11/2020 Li D34/21
D902,521 S * 11/2020 Tsai D34/21
D915,718 S * 4/2021 Li D34/21

* cited by examiner

Primary Examiner — Cynthia Ramirez

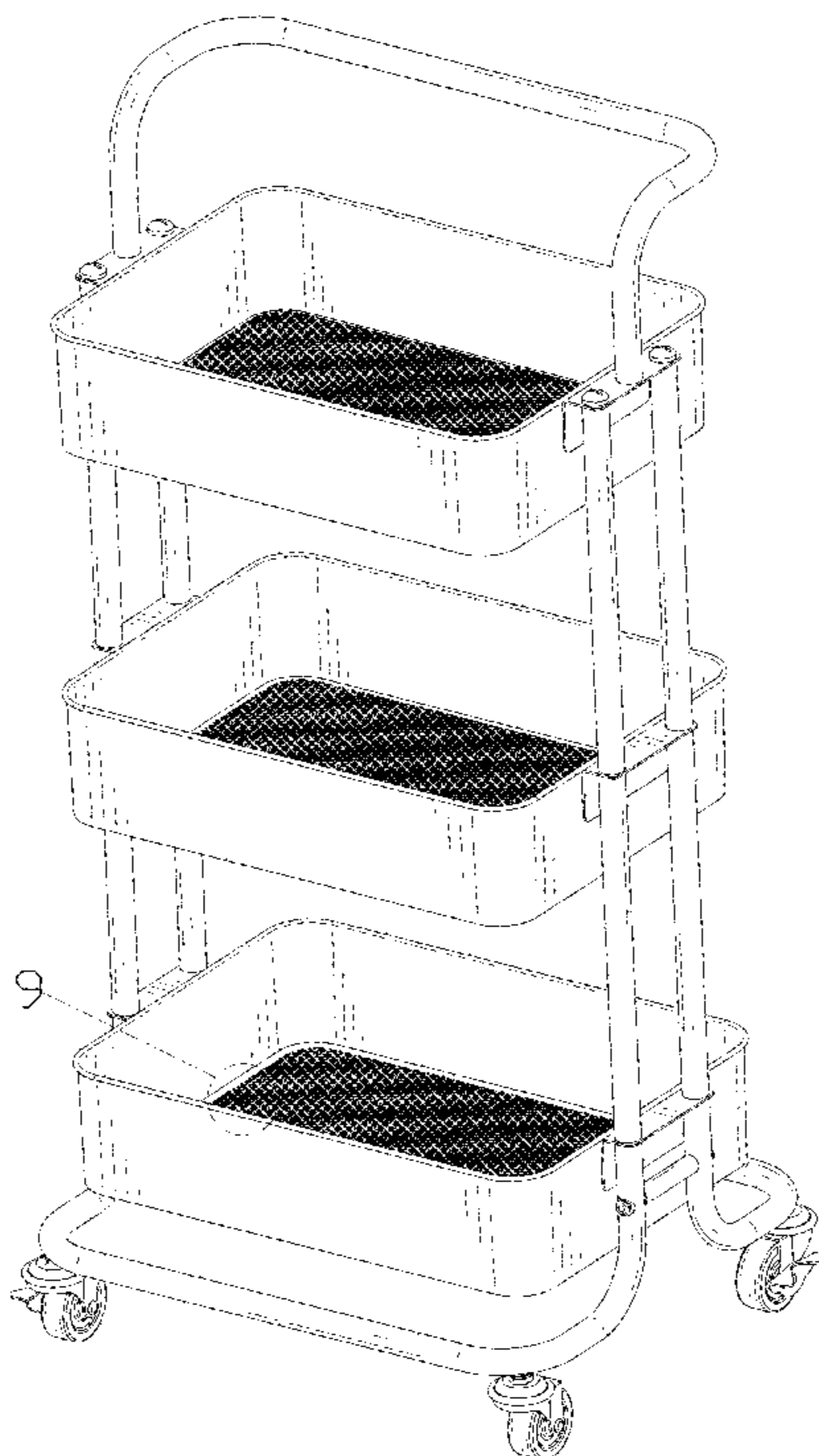
(57) **CLAIM**

The ornamental design for a utility cart, as shown and described.

DESCRIPTION

FIG. 1 is a perspective view of a utility cart showing my new design;
FIG. 2 is another perspective view thereof;
FIG. 3 is a front elevational view thereof;
FIG. 4 is a rear elevational view thereof;
FIG. 5 is a left side elevational view thereof;
FIG. 6 is a right side elevational view thereof;
FIG. 7 is a top plan view thereof;
FIG. 8 is a bottom plan view thereof; and,
FIG. 9 is an enlarged view of portion 9 shown in FIG. 1.
The broken lines in the figures are to show enlarged areas and form no part of the claimed design.

1 Claim, 9 Drawing Sheets



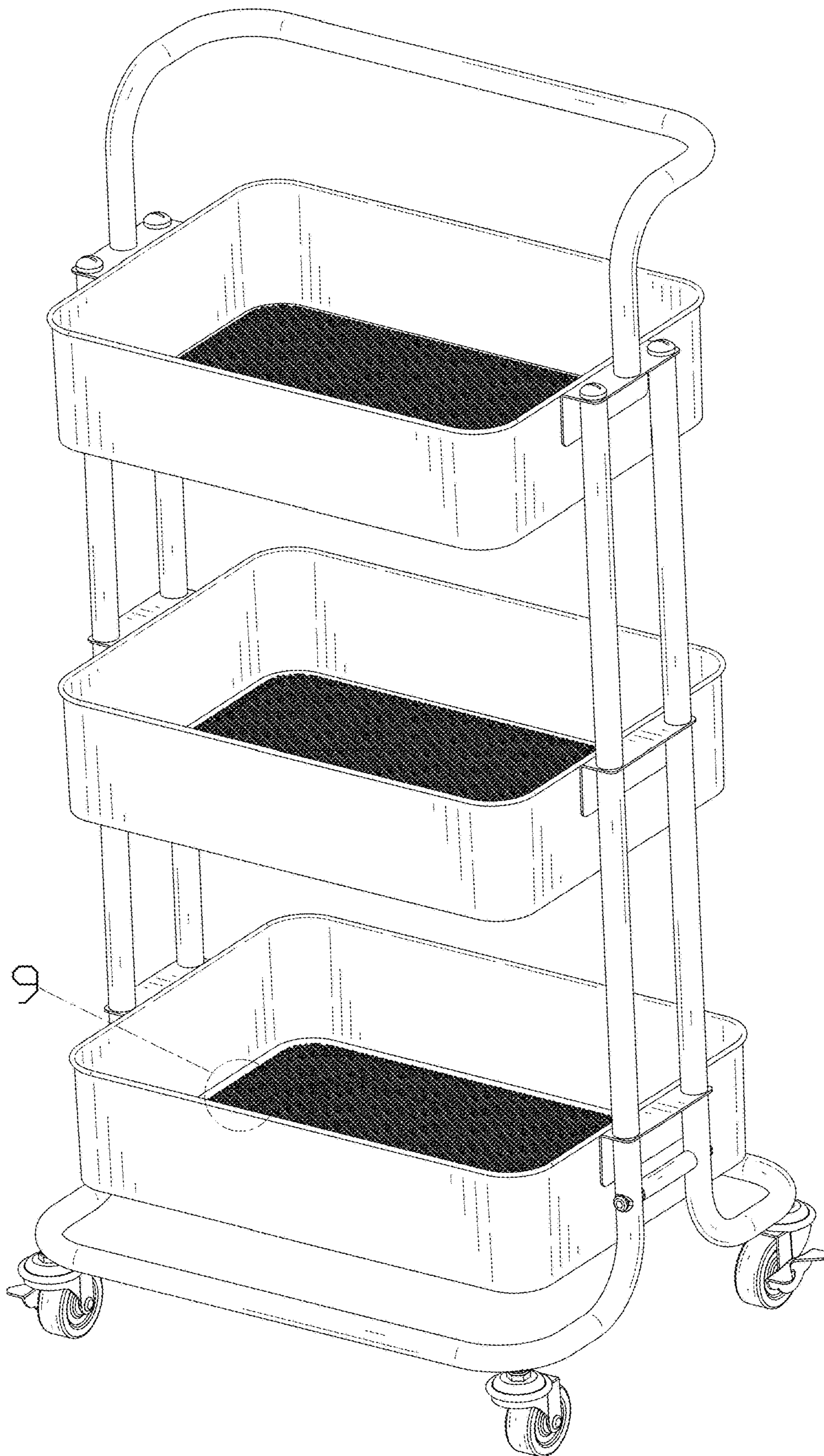


FIG. 1

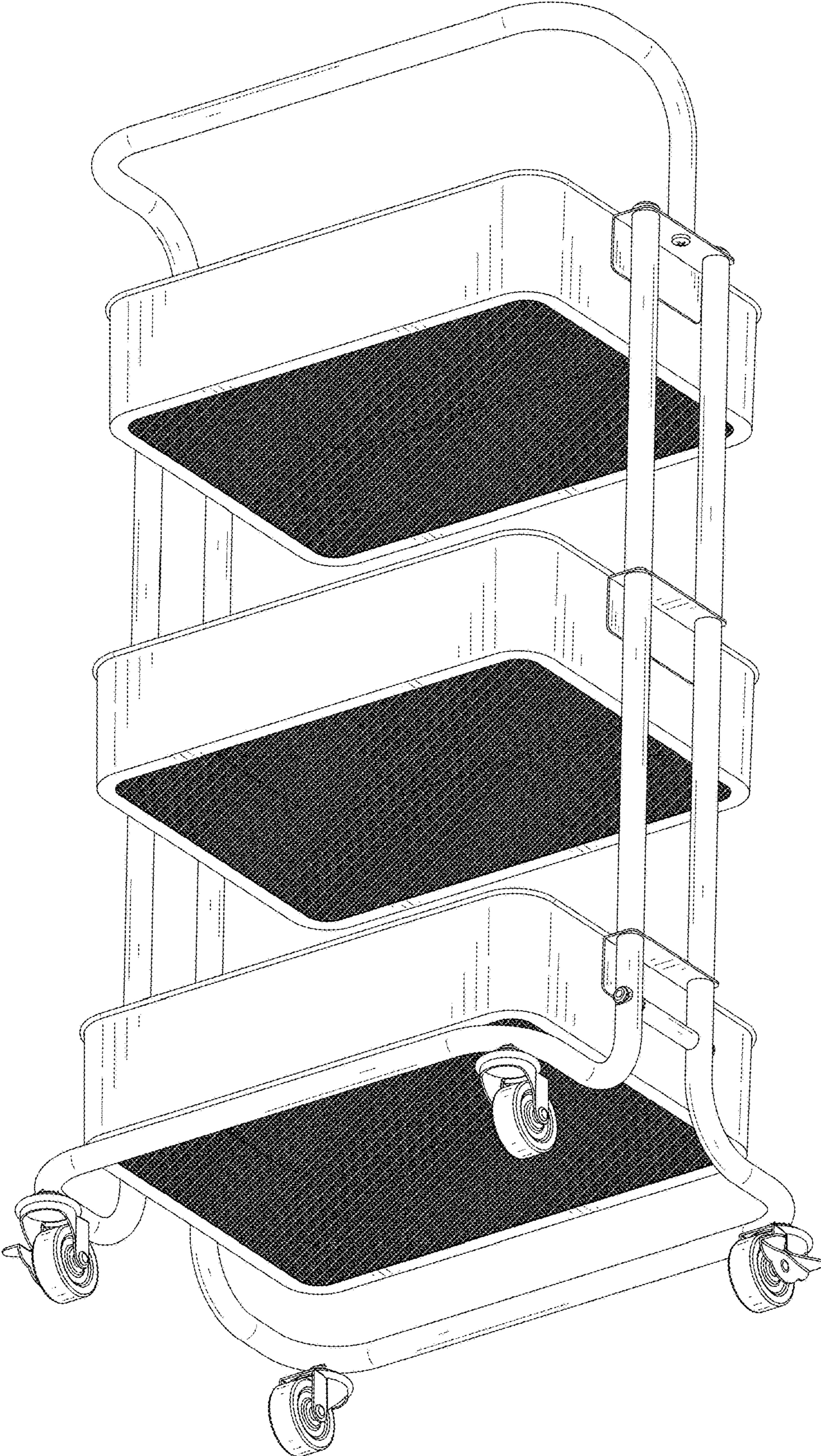


FIG. 2

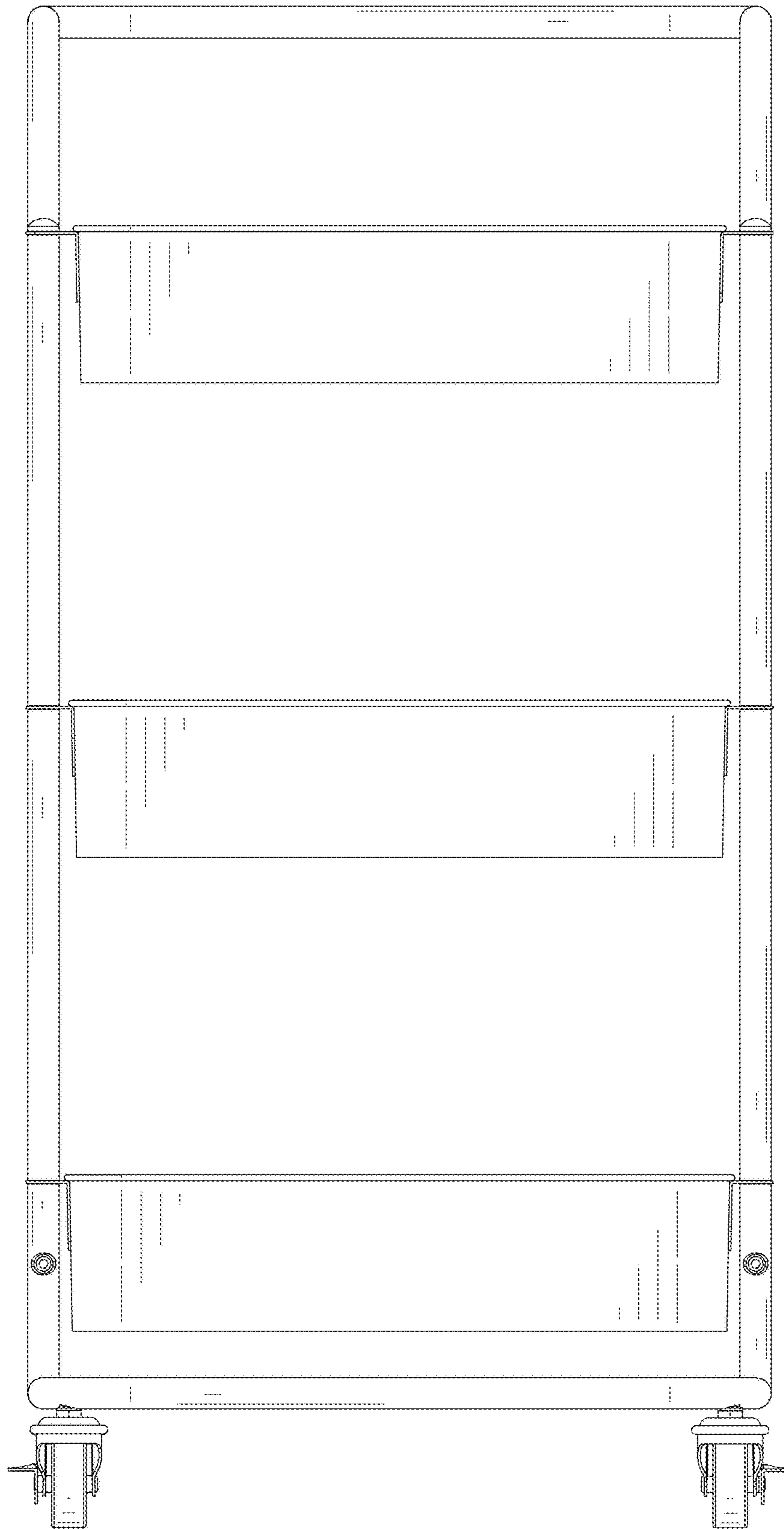


FIG. 3

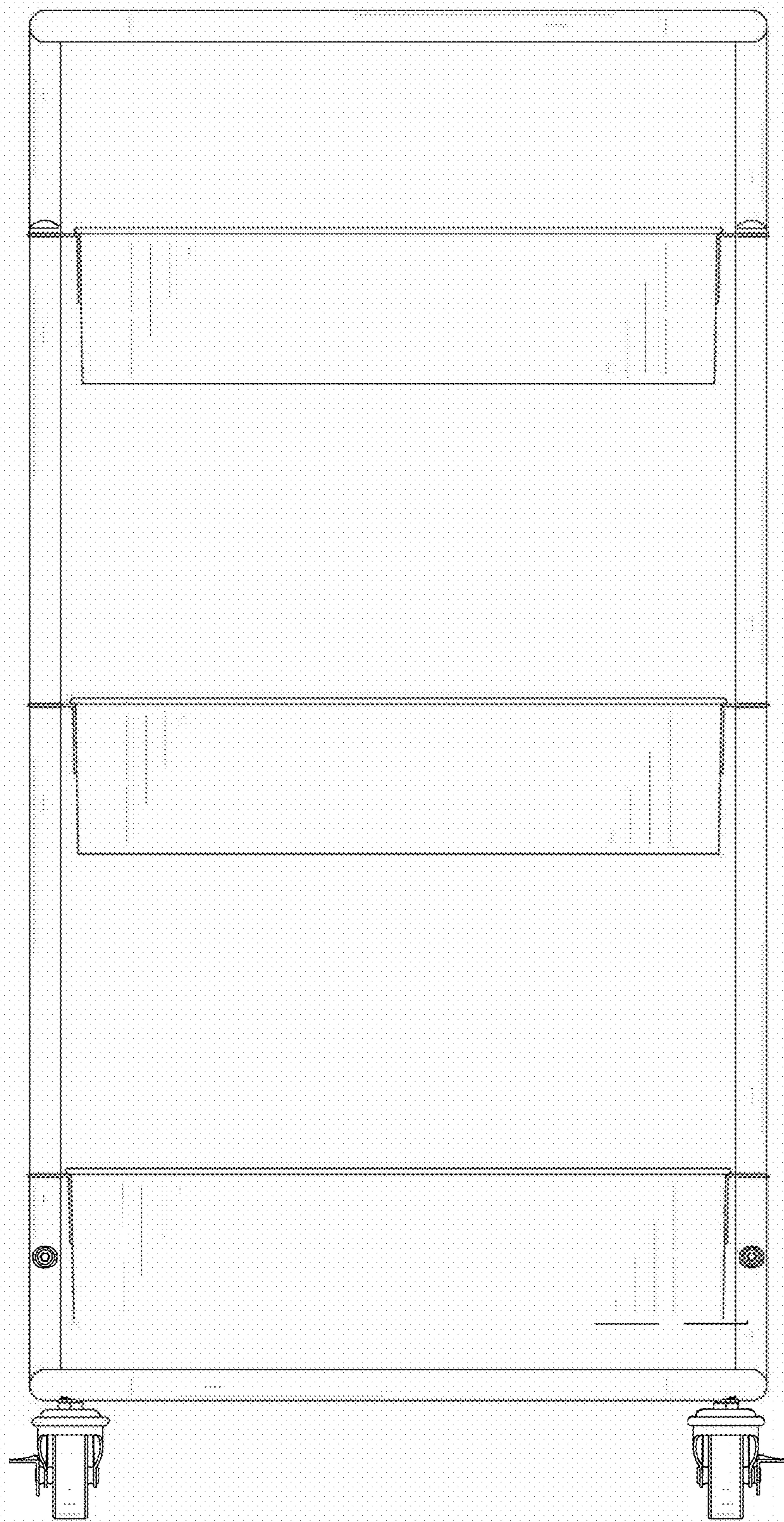


FIG. 4

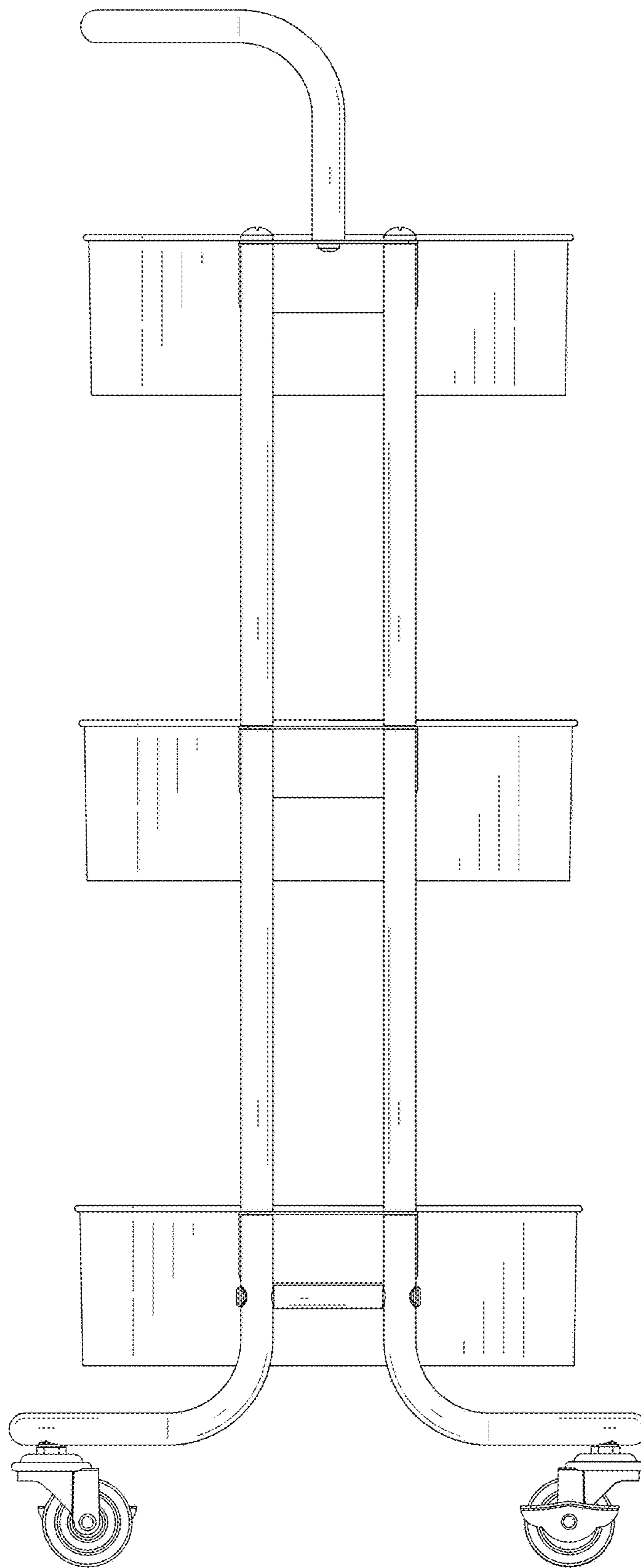


FIG. 5

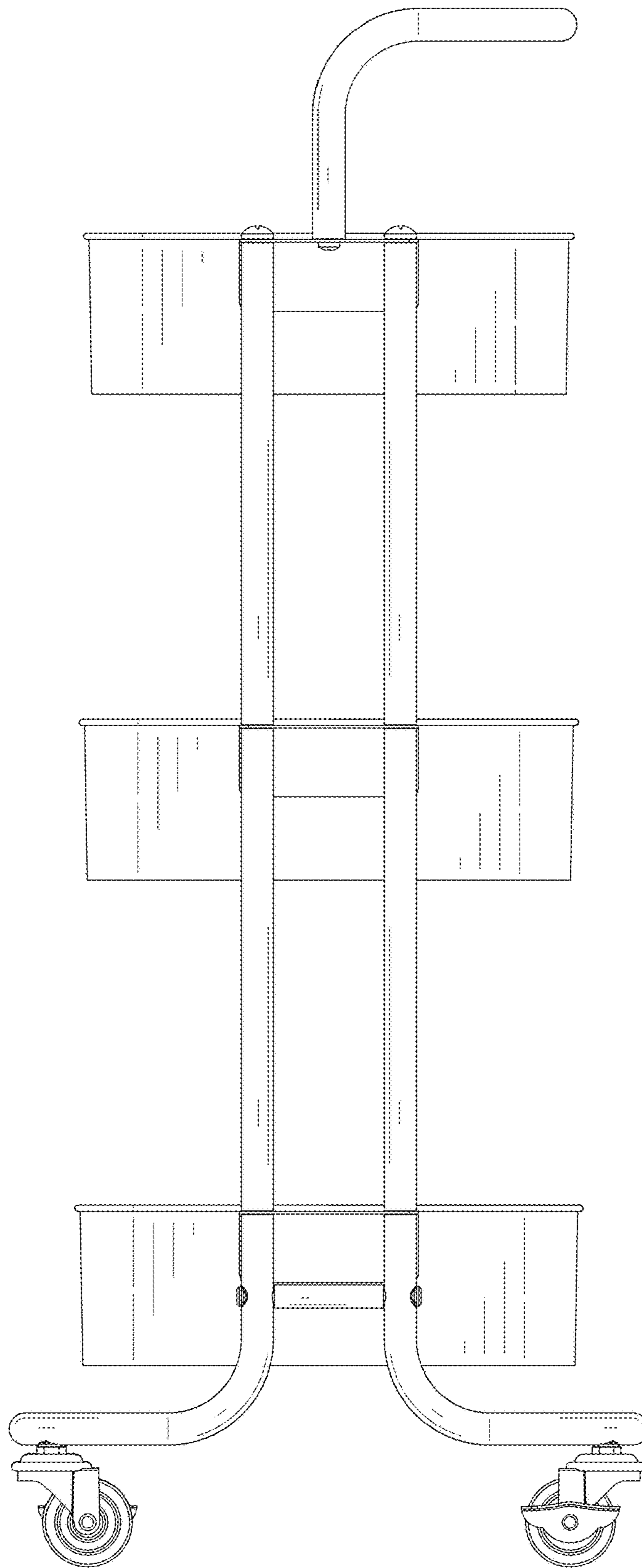


FIG. 6

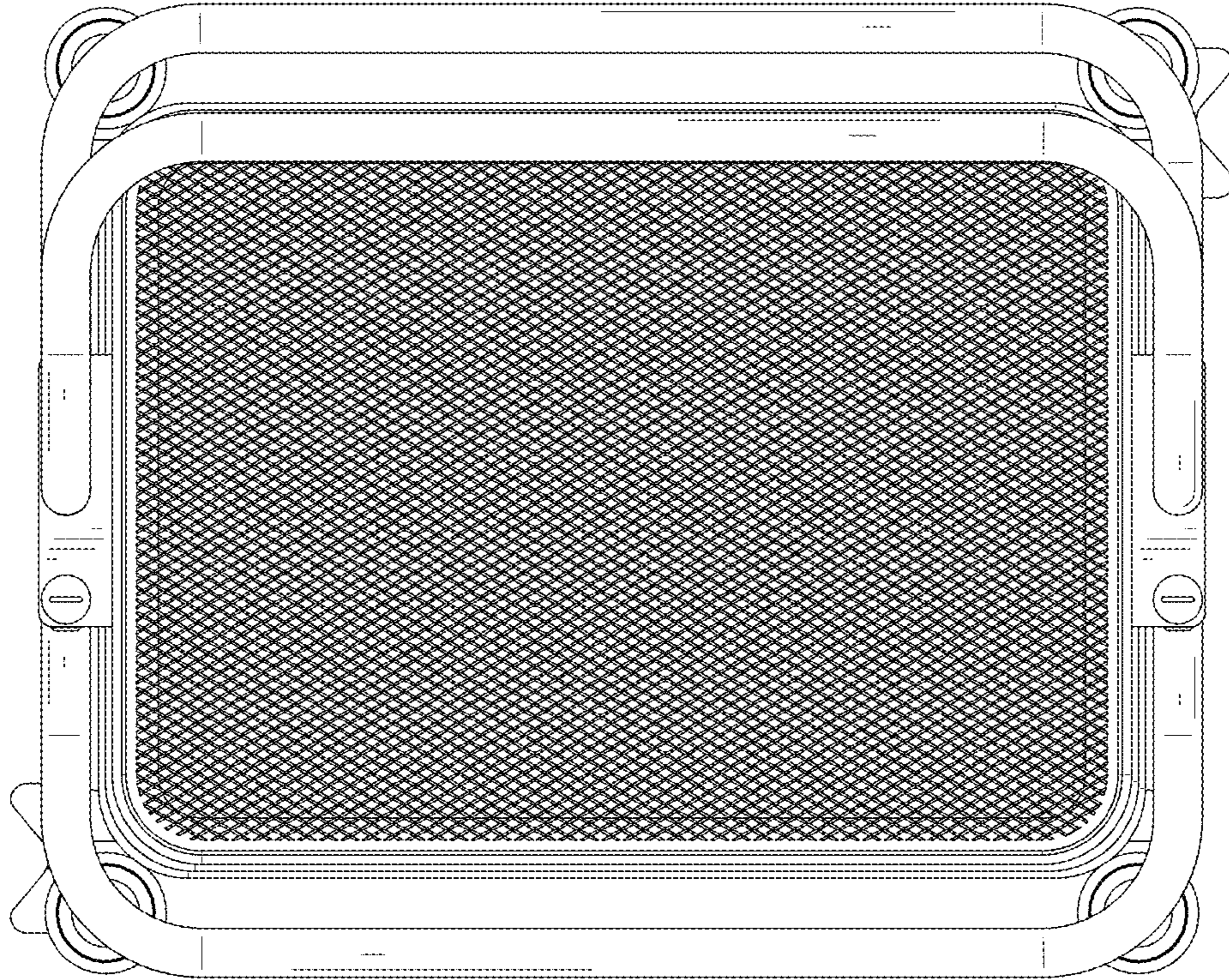


FIG. 7

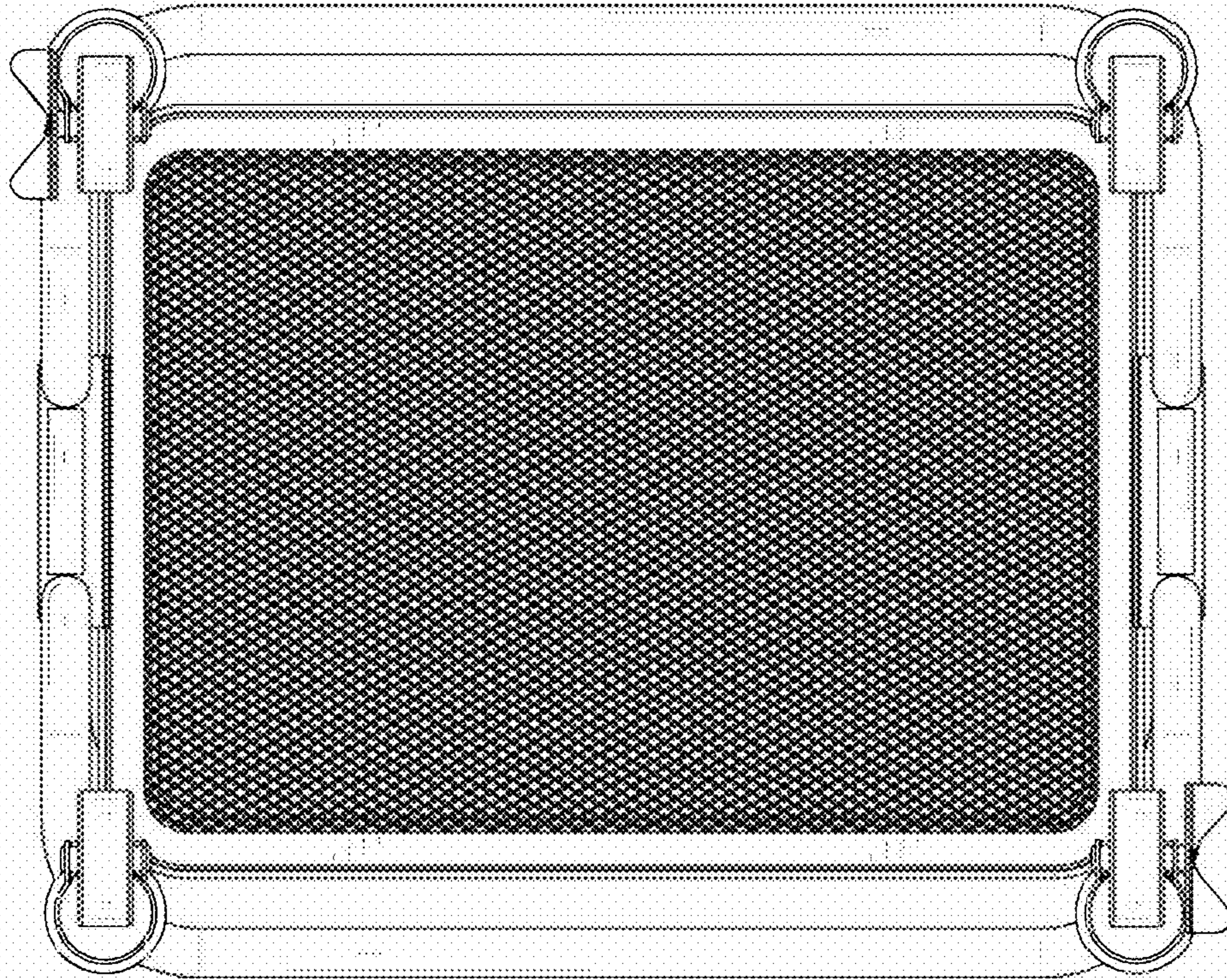


FIG. 8

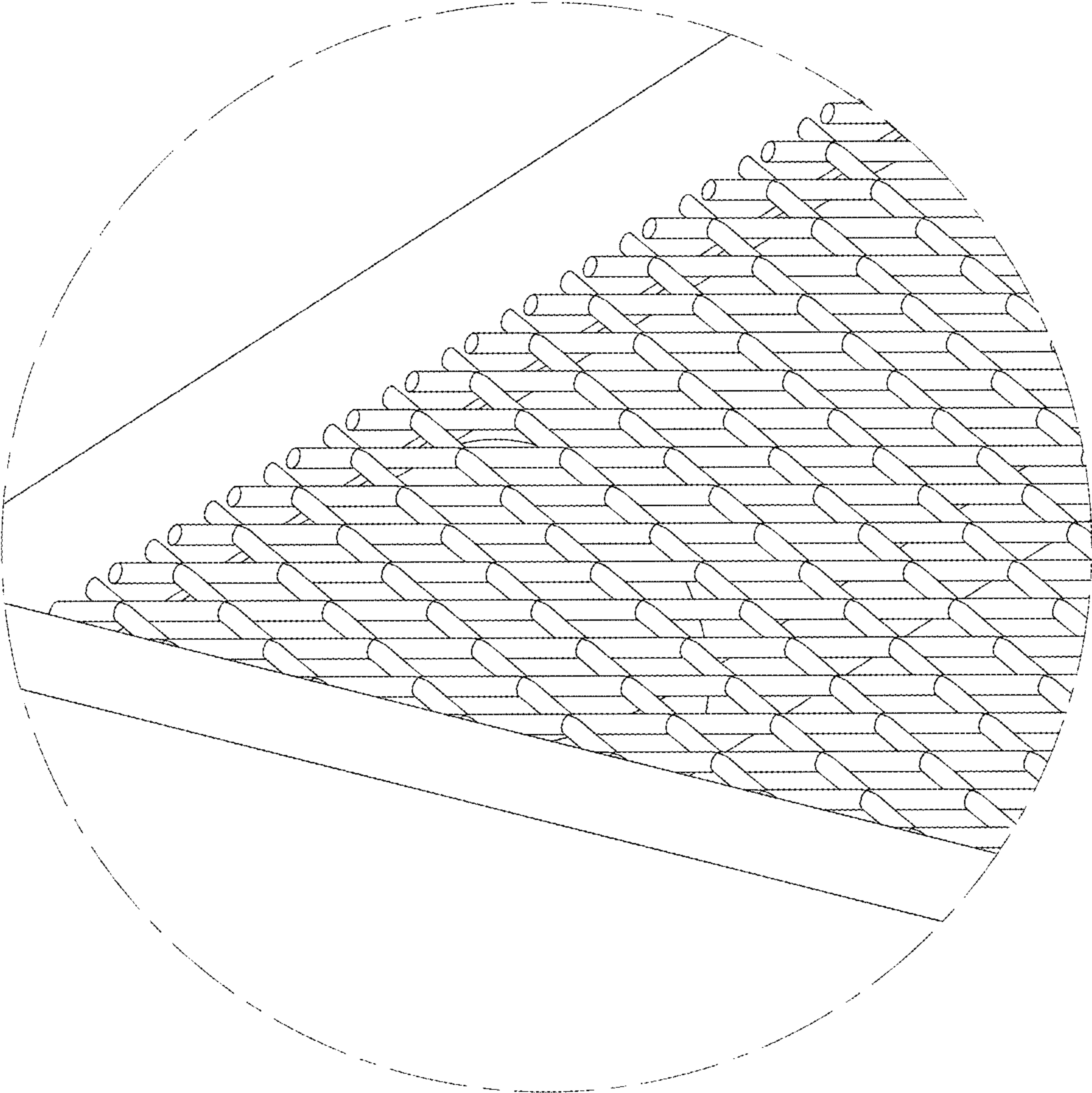


FIG. 9



US00D922023C1

(12) **EX PARTE REEXAMINATION CERTIFICATE** (12239th)
United States Patent
Chen

(10) **Number:** **US D922,023 C1**
(45) **Certificate Issued:** **Mar. 7, 2023**

(54) **UTILITY CART**

Appl. No.: **29/748,356**
Filed: **Aug. 28, 2020**

(71) Applicant: **SHENZHEN WANGYI E-COMMERCE CO., LTD.**, Shenzhen (CN)

(51) **LOC (14) Cl.** **12-02**
(52) **U.S. Cl.**
USPC **D34/21**

(72) Inventor: **Huasheng Chen**, Shenzhen (CN)

(58) **Field of Classification Search**
USPC **D34/12, 17, 21; D6/675, 675.2, 675.5**
CPC .. **B62B 1/00; B62B 1/008; B62B 1/12; B62B 3/002; B62B 3/006; B62B 3/02; B62B 3/10**

(73) Assignee: **SHENZHEN WANGYI E-COMMERCE CO., LTD.**, Shenzhen (CN)

See application file for complete search history.

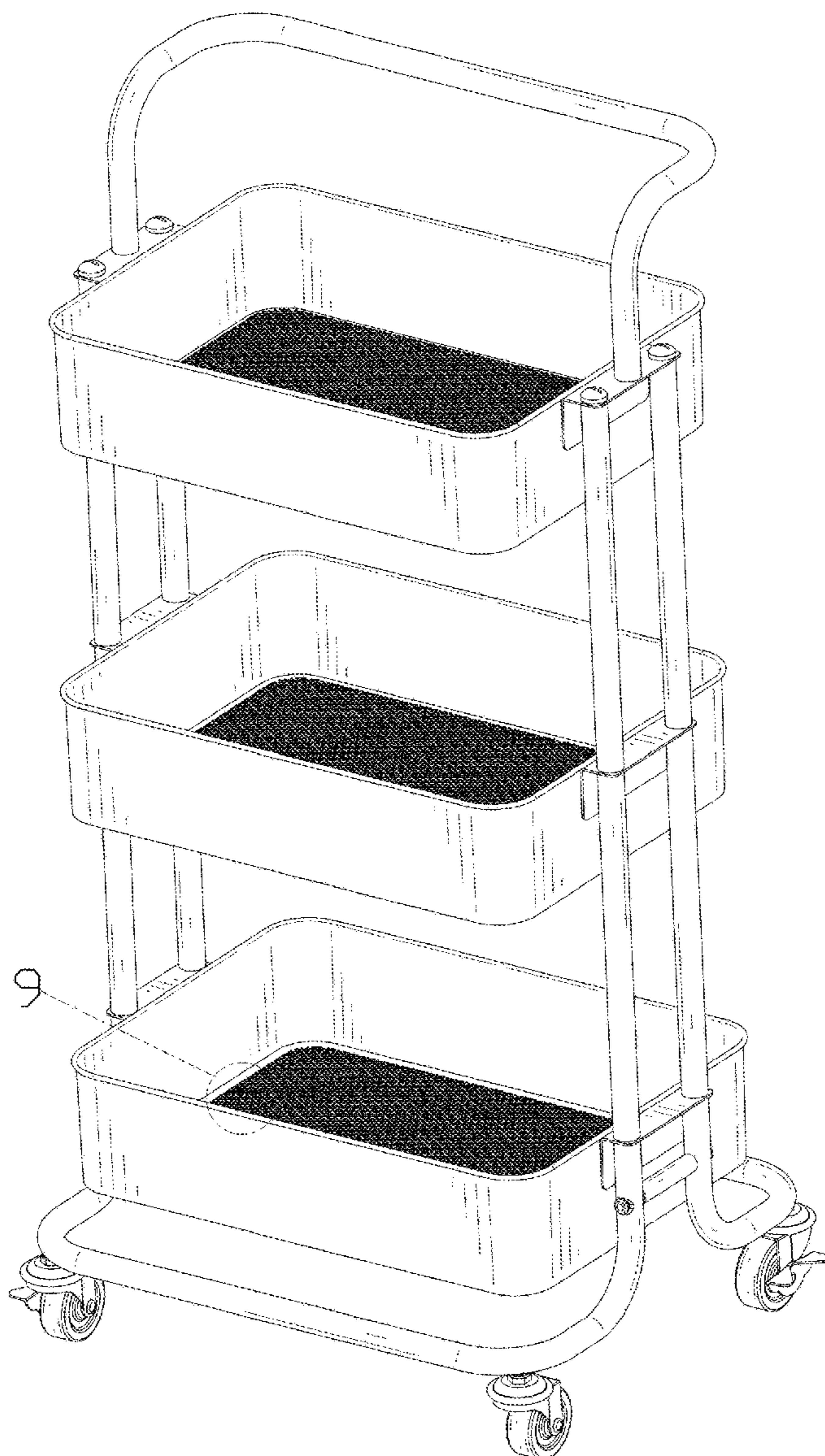
Reexamination Request:
No. 90/019,047, Dec. 17, 2021

(56) **References Cited**

Reexamination Certificate for:
Patent No.: **Des. 922,023**
Issued: **Jun. 8, 2021**

To view the complete listing of prior art documents cited during the proceeding for Reexamination Control Number 90/019,047, please refer to the USPTO's Patent Electronic System.

Primary Examiner — Darlington Ly



1
EX PARTE
REEXAMINATION CERTIFICATE

THE PATENT IS HEREBY AMENDED AS
INDICATED BELOW.

5

AS A RESULT OF REEXAMINATION, IT HAS BEEN
DETERMINED THAT:

The claim 1 is cancelled.

10

* * * * *