



US00D922021S

(12) **United States Design Patent**  
**Phillips et al.**

(10) **Patent No.:** **US D922,021 S**

(45) **Date of Patent:** **\*\* Jun. 8, 2021**

- (54) **SERVICE CART**
- (71) Applicant: **SUNCAST TECHNOLOGIES, LLC**,  
Palm Beach Gardens, FL (US)
- (72) Inventors: **William J. Phillips**, Batavia, IL (US);  
**Stephen Whitehead**, Elgin, IL (US)
- (73) Assignee: **Suncast Technologies, LLC**, Palm  
Beach Gardens, FL (US)

D710,064	S	*	7/2014	Schumaker	.....	D34/17
D758,688	S	*	6/2016	Nai	.....	D34/12
D809,730	S	*	2/2018	Churchvara	.....	D34/21
D831,292	S	*	10/2018	Thuma	.....	D34/12
D862,027	S	*	10/2019	Lizotte	.....	D34/21
D898,319	S	*	10/2020	Strandmark	.....	D34/21
2004/0066012	A1	*	4/2004	Choi	.....	B62B 3/02 280/47.35
2012/0061930	A1	*	3/2012	Lin	.....	B62B 3/005 280/47.35
2014/0217690	A1	*	8/2014	Schumaker	.....	A47B 31/00 280/47.35

(\*\*) Term: **15 Years**

(21) Appl. No.: **29/697,656**

(22) Filed: **Jul. 10, 2019**

(51) **LOC (13) Cl.** ..... **12-02**

(52) **U.S. Cl.**  
USPC ..... **D34/21**

(58) **Field of Classification Search**  
USPC ..... D34/12-27  
CPC ..... B62B 1/112; B62B 1/006; B62B 1/262;  
B62B 1/264; B62B 1/14; B62B 1/125;  
B62B 3/002; B62B 3/005; B62B 3/027;  
B62B 3/1408; B62B 3/146; B62B 3/142;  
B62B 3/02; B62B 3/10; B62B 3/12;  
B62B 3/14; B62B 3/1492; B62B 3/165

See application file for complete search history.

(56) **References Cited**

**U.S. PATENT DOCUMENTS**

D275,044	S	*	8/1984	Hampshire	.....	D34/21
D344,382	S	*	2/1994	Conaway	.....	D34/17
D379,705	S	*	6/1997	Delmerico	.....	D25/122
D381,168	S	*	7/1997	Delmerico	.....	D34/19
5,839,739	A	*	11/1998	Shannon	.....	B62B 5/06 280/47.35
D598,623	S	*	8/2009	Zang Wentz Pho	.....	D34/20

**OTHER PUBLICATIONS**

Google search, Choice black utility bussing cart, Feb. 11, 2021,  
<https://www.webstaurantstore.com/choice-42-x-20-x-38-black-3-shelf-utility-bussing-cart/109CARTBLGBK> (Year: 2021).\*

\* cited by examiner

*Primary Examiner* — Cynthia Ramirez  
(74) *Attorney, Agent, or Firm* — McHale & Slavin, P.A.

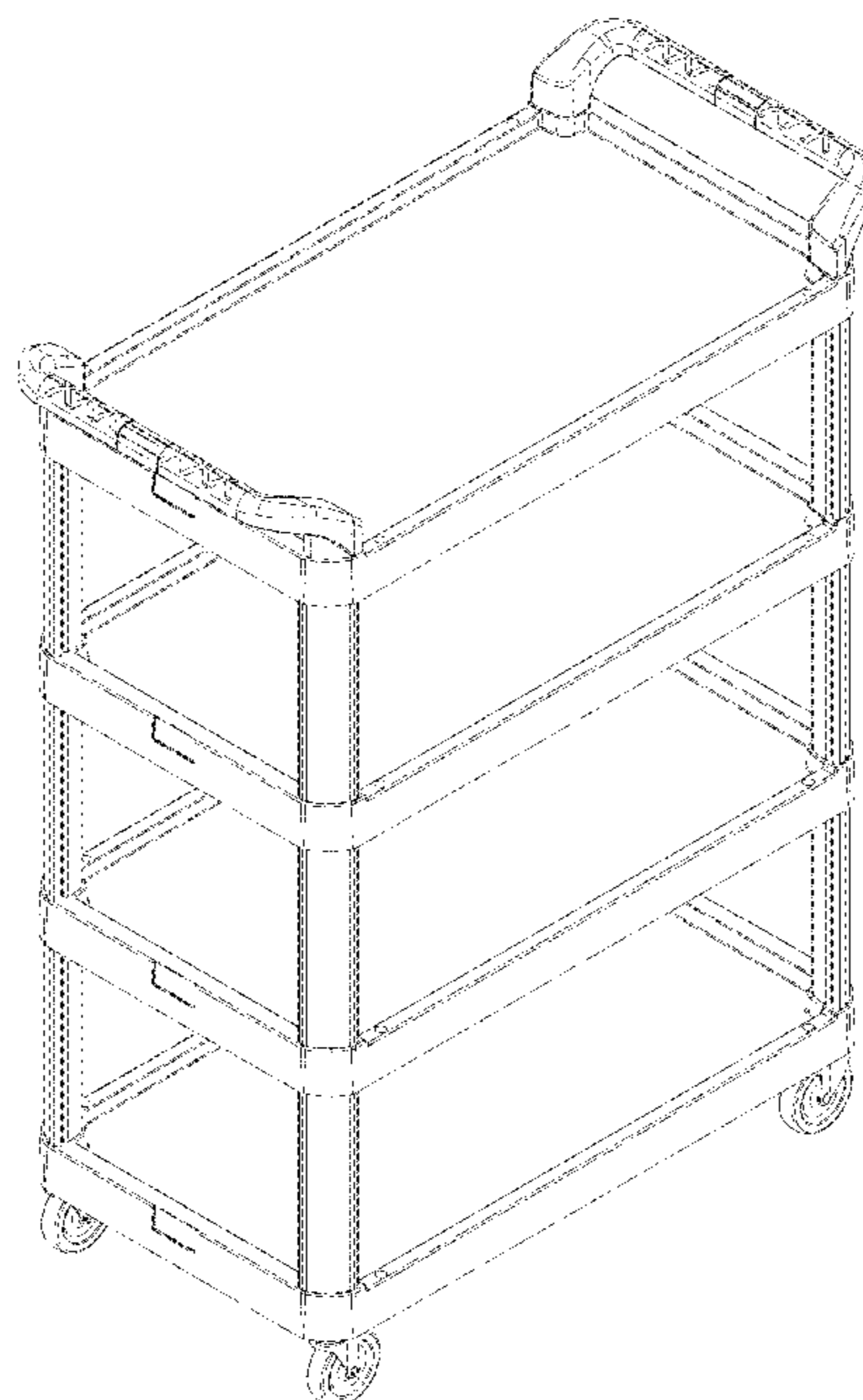
(57) **CLAIM**

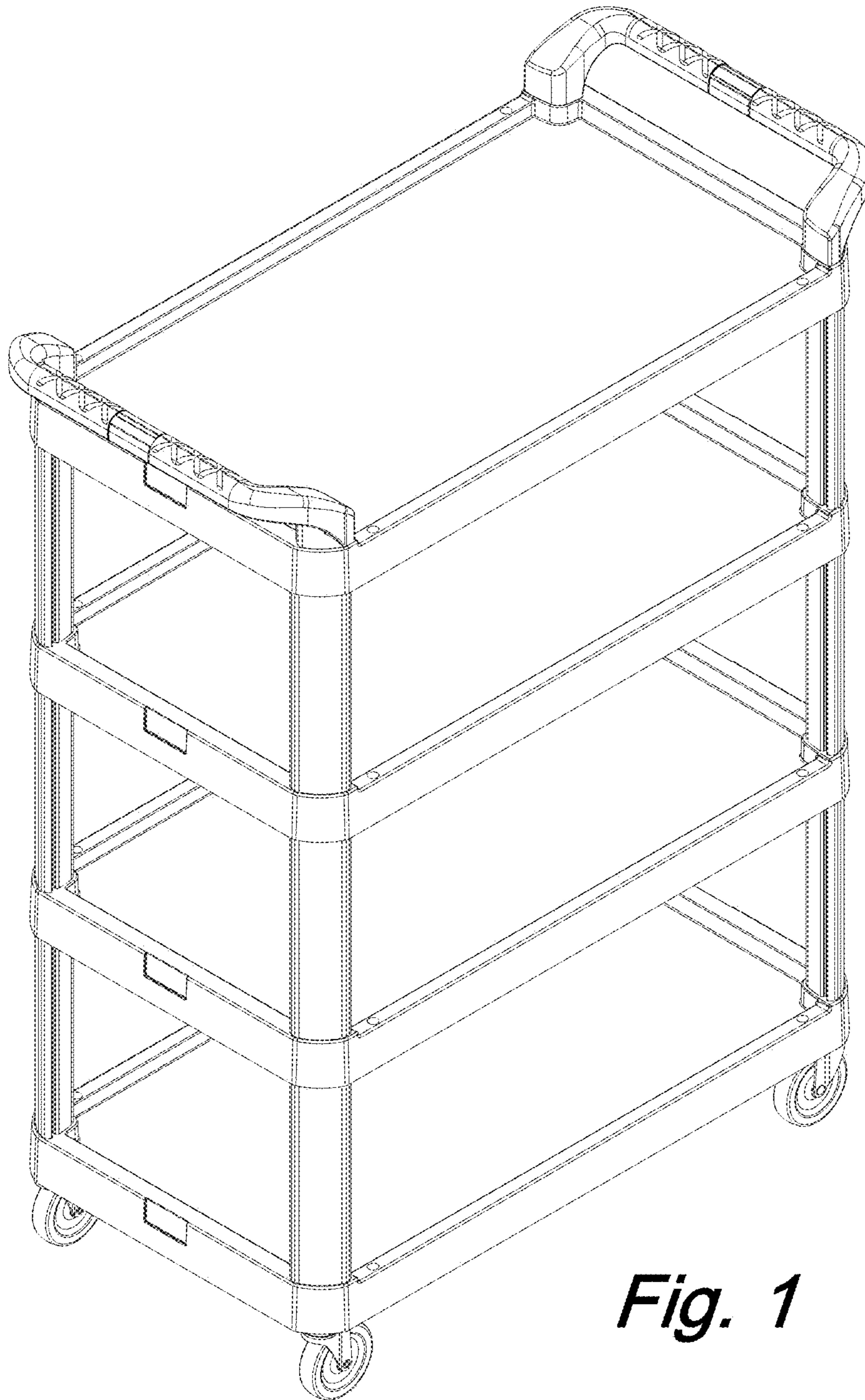
The ornamental design for service cart, as shown and described.

**DESCRIPTION**

FIG. 1 is a top front right perspective view of the service cart of the present invention;  
FIG. 2 is a top front left perspective view thereof;  
FIG. 3 is a front view thereof;  
FIG. 4 is a rear side view thereof;  
FIG. 5 is a left side view thereof;  
FIG. 6 is a right side view thereof; and,  
FIG. 7 is a top view thereof.

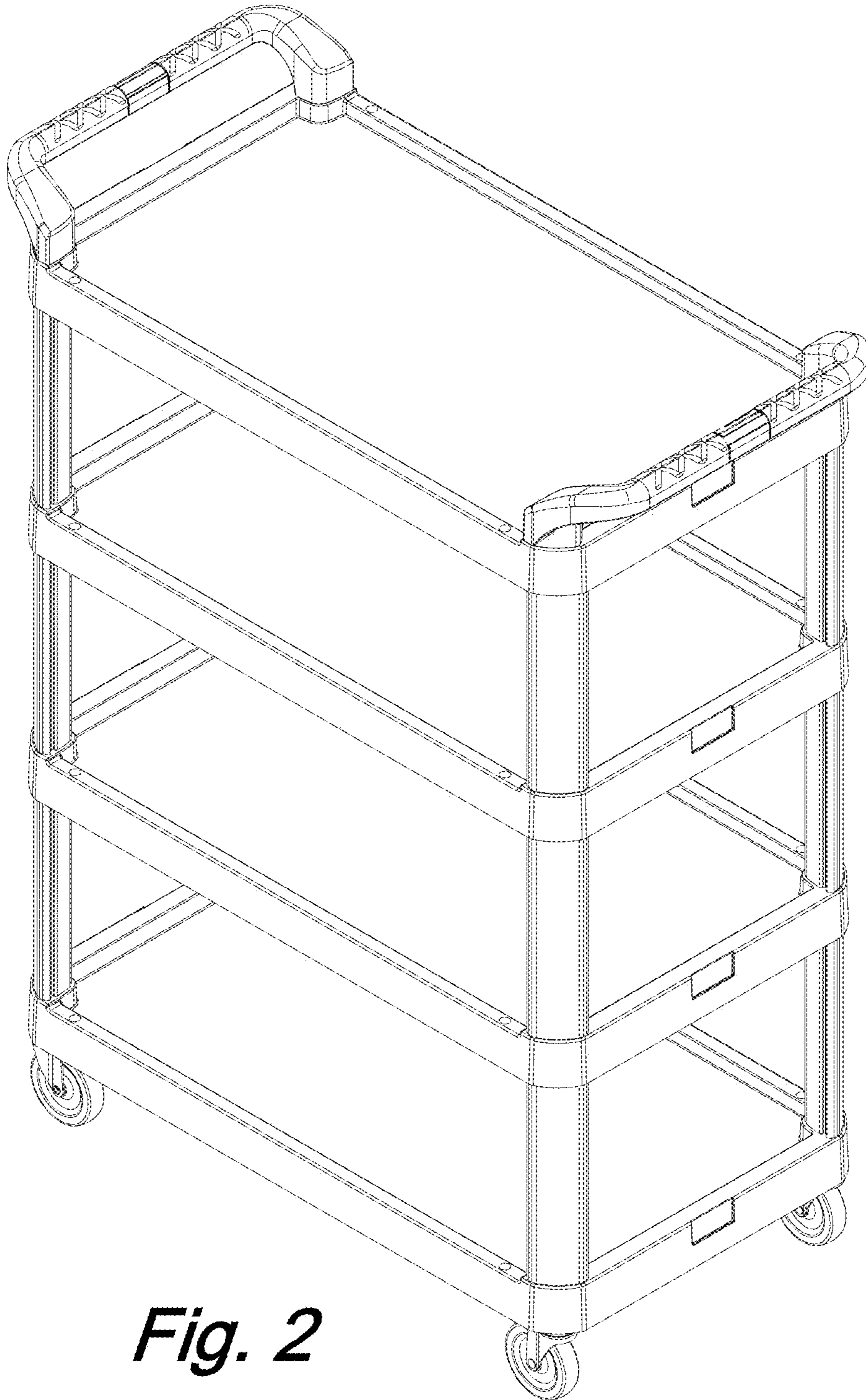
**1 Claim, 7 Drawing Sheets**



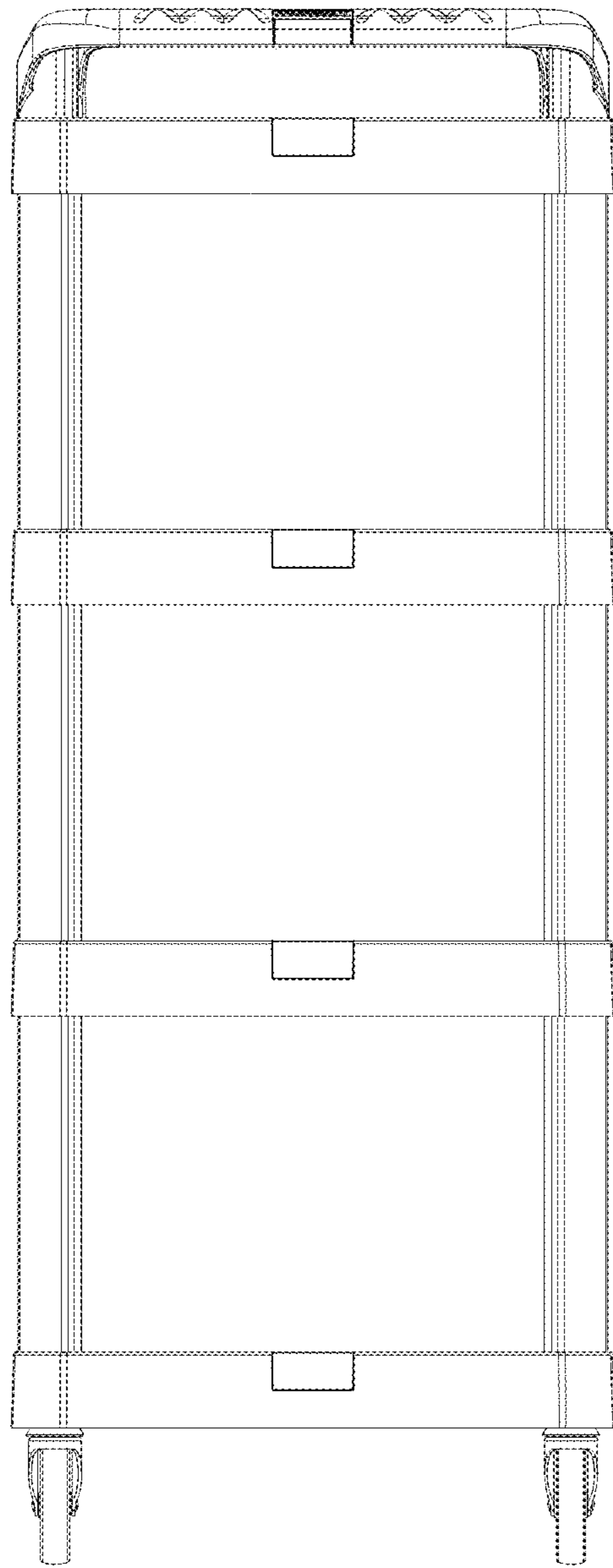


***Fig. 1***

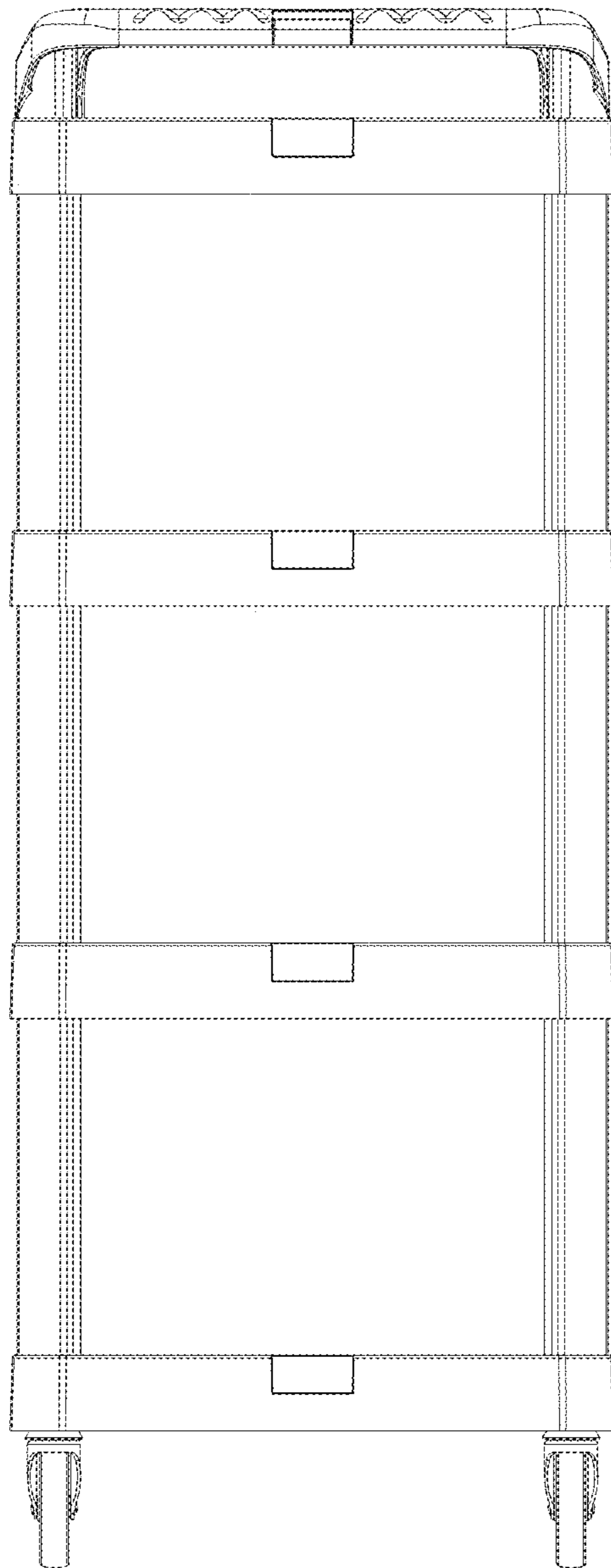




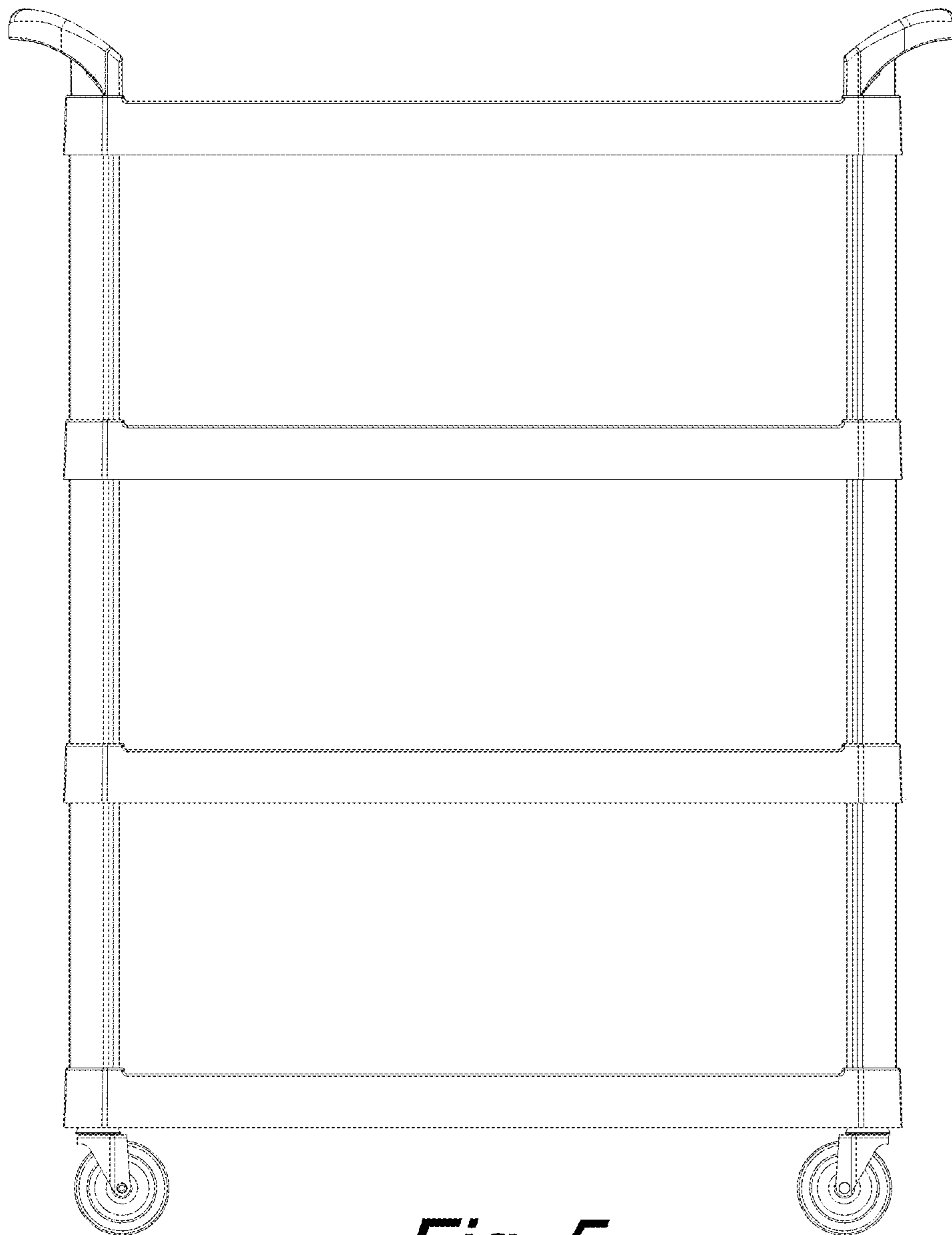
***Fig. 2***



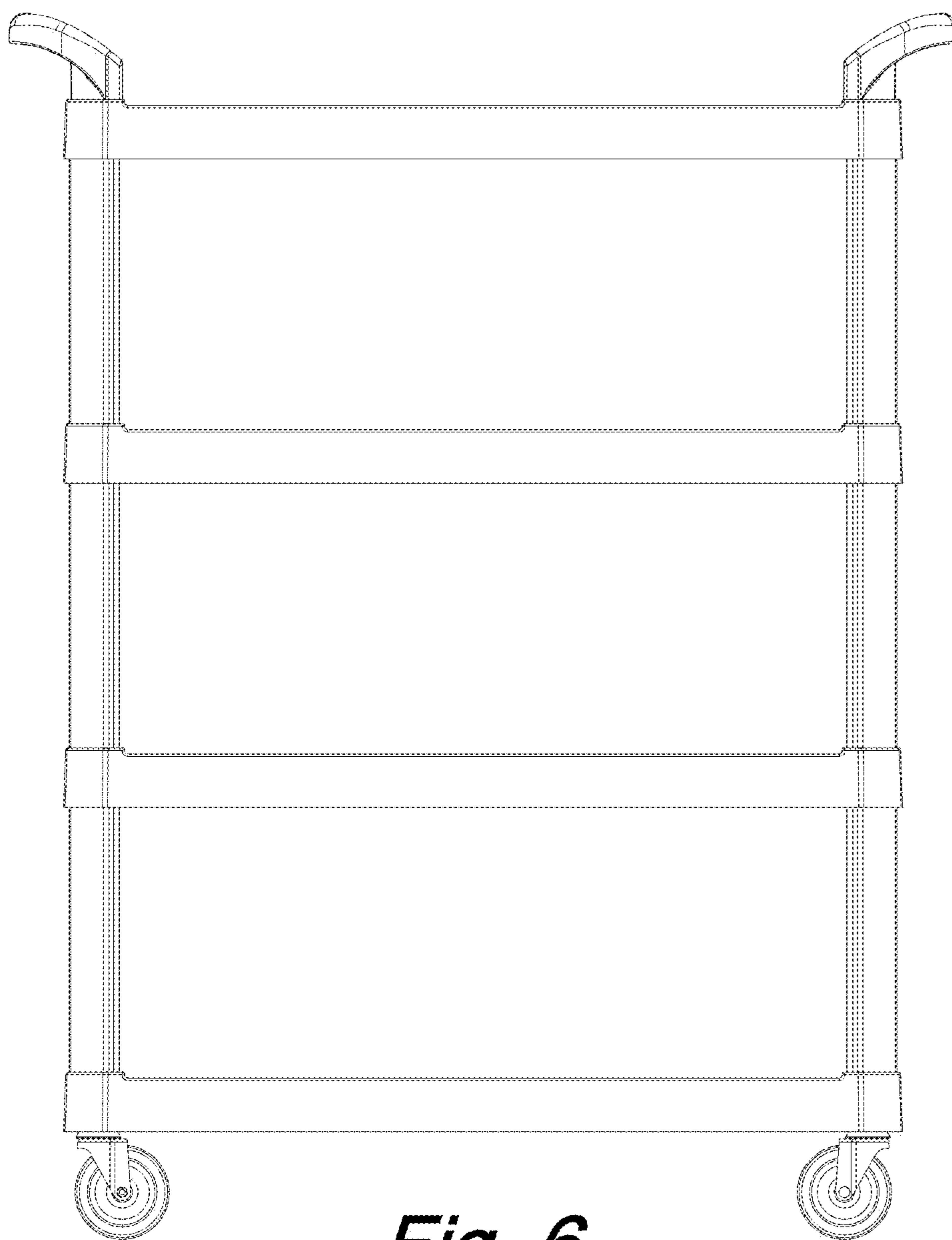
*Fig. 3*



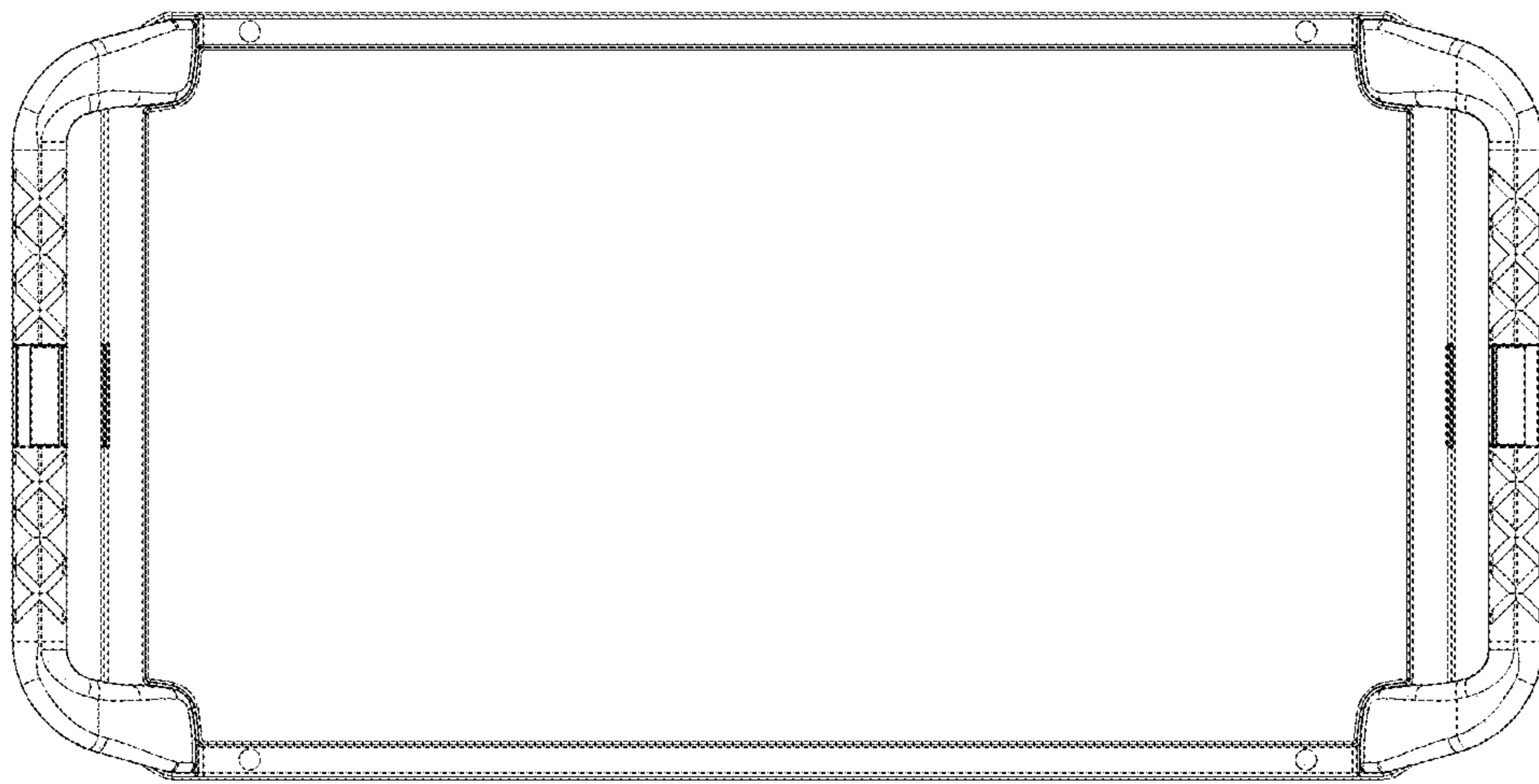
*Fig. 4*



*Fig. 5*



*Fig. 6*



*Fig. 7*