



US00D922020S

(12) **United States Design Patent** (10) **Patent No.:** **US D922,020 S**
Pang (45) **Date of Patent:** **** Jun. 8, 2021**

(54) **MULTI-FUNCTIONAL FOLDING CART**

OTHER PUBLICATIONS

(71) Applicant: **QINGDAO TMZ TOOLS CO., LTD,**
Qingdao (CN)

TMZ All Terrain 1, announced Feb. 23, 2020 [online], [site visited Feb. 9, 2021]. Available from internet, URL: https://www.amazon.com/TMZ-Terrain-Collapsible-Shopping-Activities/dp/B085218JR2/ref=pd_di_sccai_4 (Year: 2020).*

(72) Inventor: **Wei Pang,** Qingdao (CN)

(Continued)

(73) Assignee: **QINGDAO TMZ TOOLS CO., LTD,**
Qingdao (CN)

Primary Examiner — George A Bugg
Assistant Examiner — Tamara L Hahn

(**) Term: **15 Years**

(74) *Attorney, Agent, or Firm* — Buchanan Ingersoll & Rooney PC

(21) Appl. No.: **29/730,576**

(22) Filed: **Apr. 6, 2020**

(57) **CLAIM**

(51) **LOC (13) Cl.** **12-02**

The ornamental design for a multi-functional folding cart, as shown and described.

(52) **U.S. Cl.**

USPC **D34/12**

(58) **Field of Classification Search**

DESCRIPTION

USPC D34/12-27; D21/425, 423, 534;
D12/105, 106

CPC .. B62B 3/00; B62B 3/02; B62B 3/022; B62B
3/001; B62B 5/067; B62B 7/06

See application file for complete search history.

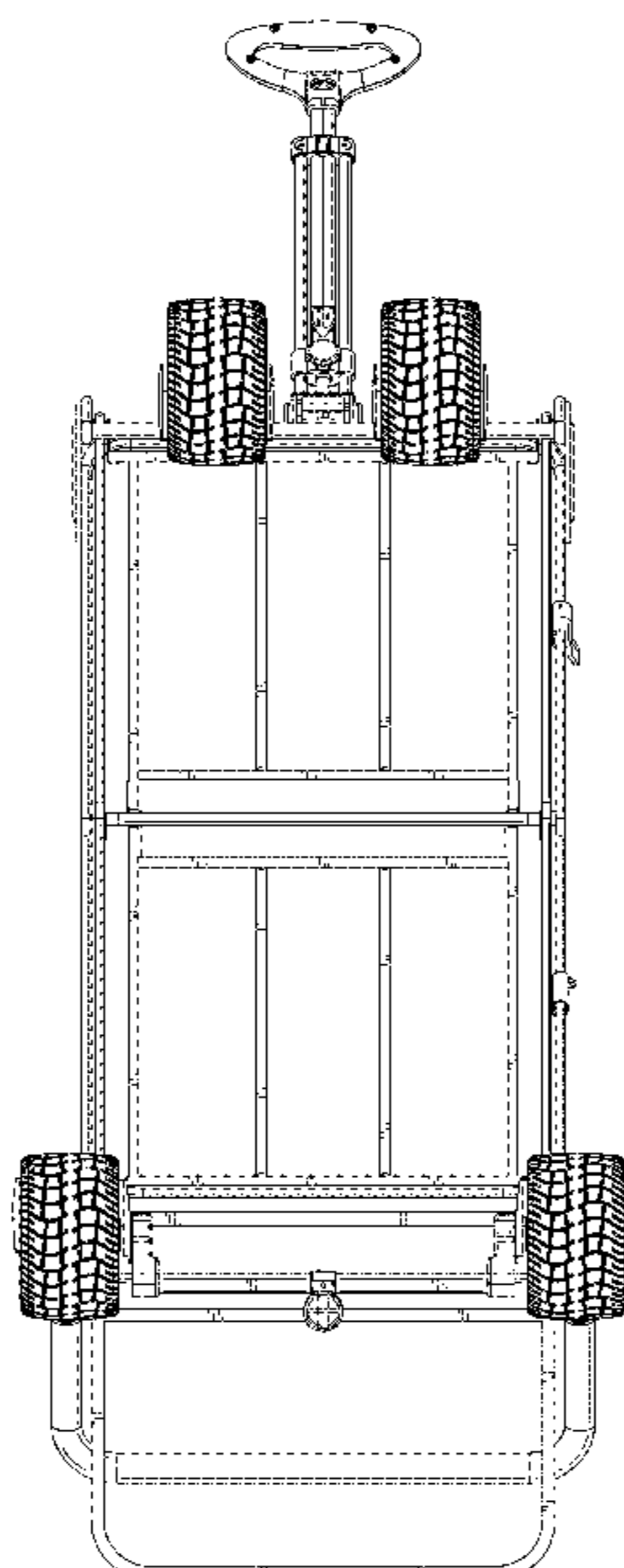
FIG. 1 is a bottom view of a multi-functional folding cart in an unfolded configuration;
FIG. 2 is an enlarged rear view of FIG. 1;
FIG. 3 is a right-hand side view of FIG. 1;
FIG. 4 is an enlarged front view of FIG. 1;
FIG. 5 is a top view of FIG. 1;
FIG. 6 is a top perspective view of FIG. 1;
FIG. 7 is an enlarged view of a wheel portion taken from FIG. 6;
FIG. 8 is an enlarged view of a connection portion taken from FIG. 6;
FIG. 9 is an enlarged top view of the multi-functional folding cart in a folded configuration;
FIG. 10 is an enlarged right-side view of FIG. 9;
FIG. 11 is an enlarged front view of FIG. 9; and,
FIG. 12 is an enlarged top perspective view of FIG. 9.
The broken lines in the drawings are for the purposes of showing enlarged areas of a multi-functional folding cart that form no part of the claimed design.

(56) **References Cited**

U.S. PATENT DOCUMENTS

D634,245 S *	3/2011	Liao	D12/129
D730,010 S *	5/2015	Jin	D34/12
9,738,298 B1 *	8/2017	Yang	B62B 5/0003
D827,722 S *	9/2018	Sun	D21/425
10,099,711 B1 *	10/2018	Sun	B62B 3/025
D861,278 S *	9/2019	Pang	B62B 3/001
				D34/12
D877,442 S *	3/2020	Ohirko	D34/17
D880,799 S *	4/2020	Pang	D34/12
D893,637 S *	8/2020	Ma	D21/425
D894,290 S *	8/2020	Liu	D21/425
D905,795 S *	12/2020	McCollum	D21/425
D908,302 S *	1/2021	Shi	D34/12
2018/0297622 A1 *	10/2018	Chen	B62B 3/007
2020/0255046 A1 *	8/2020	Bowman	B62B 3/022

1 Claim, 10 Drawing Sheets



(56)

References Cited

OTHER PUBLICATIONS

TMZ All Terrain 2, announced Dec. 2019 [online], [site visited Feb. 9, 2021]. Available from internet, URL: https://www.amazon.com/TMZ-Terrain-Collapsible-Shopping-Activities/dp/B07TWDVDYL?ref=ast_sto_dp (Year: 2019).*

Happybuy Amazon, announced 2021 [online], [site visited Feb. 9, 2021]. Available from internet, URL: https://www.amazon.com/dp/B08V52DNTG/ref=sspa_dk_detail_6 (Year: 2021).*

U.S. Appl. No. 29/652,049, filed Apr. 24, 2020.

* cited by examiner

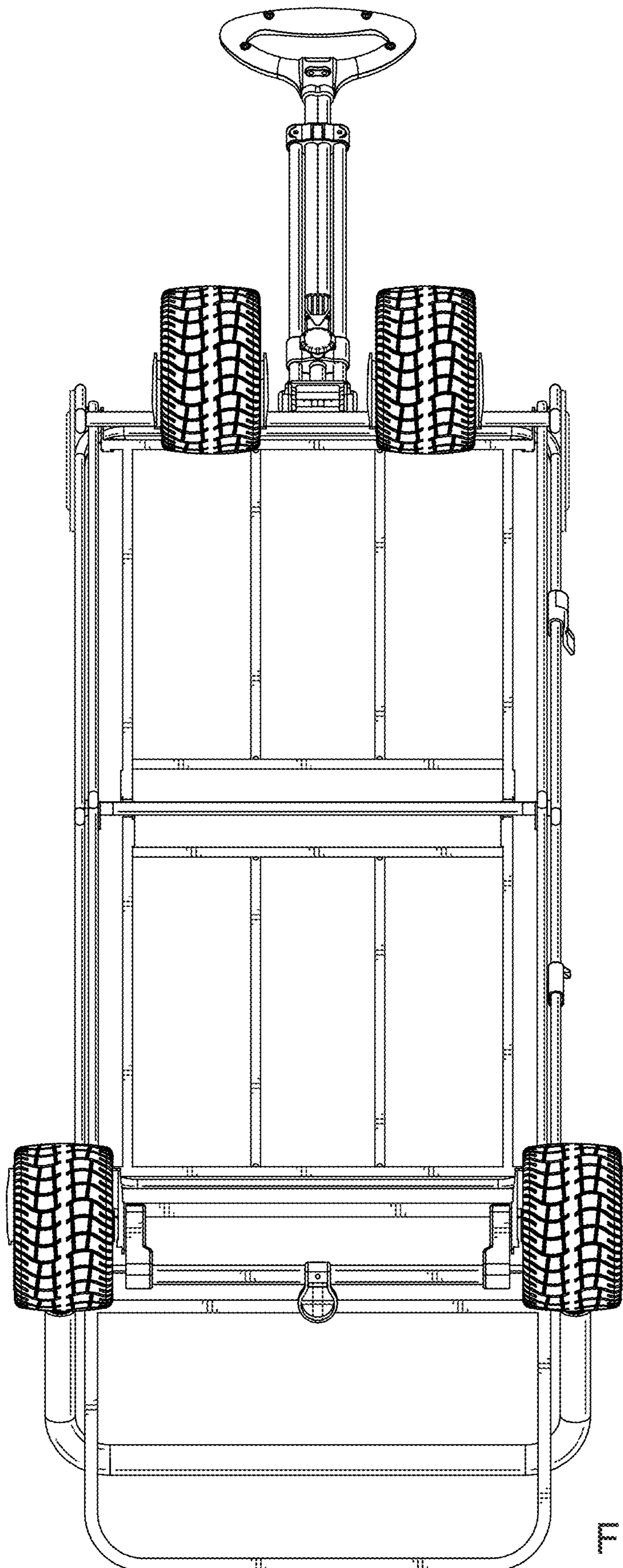


FIG. 1

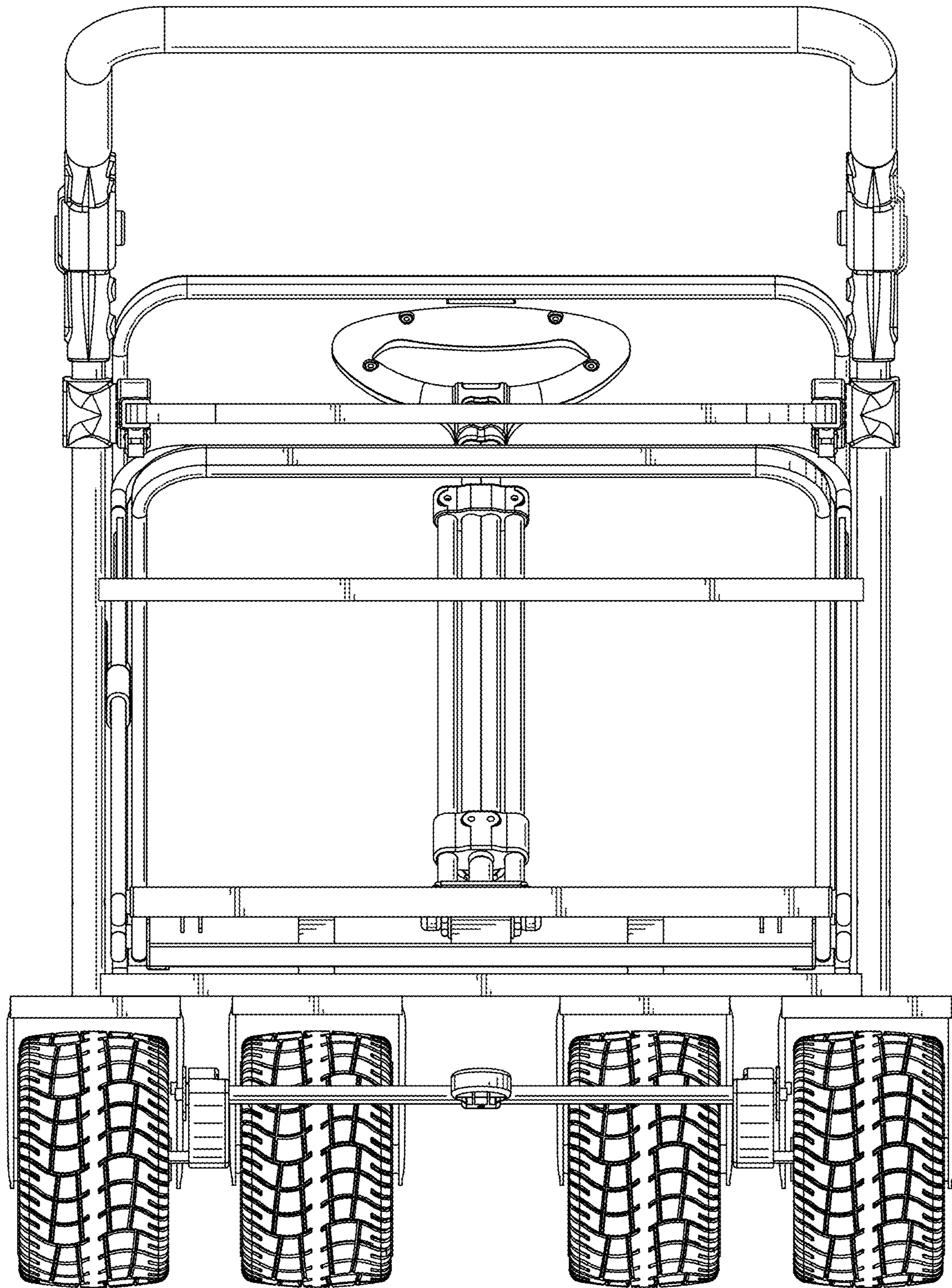


FIG. 2

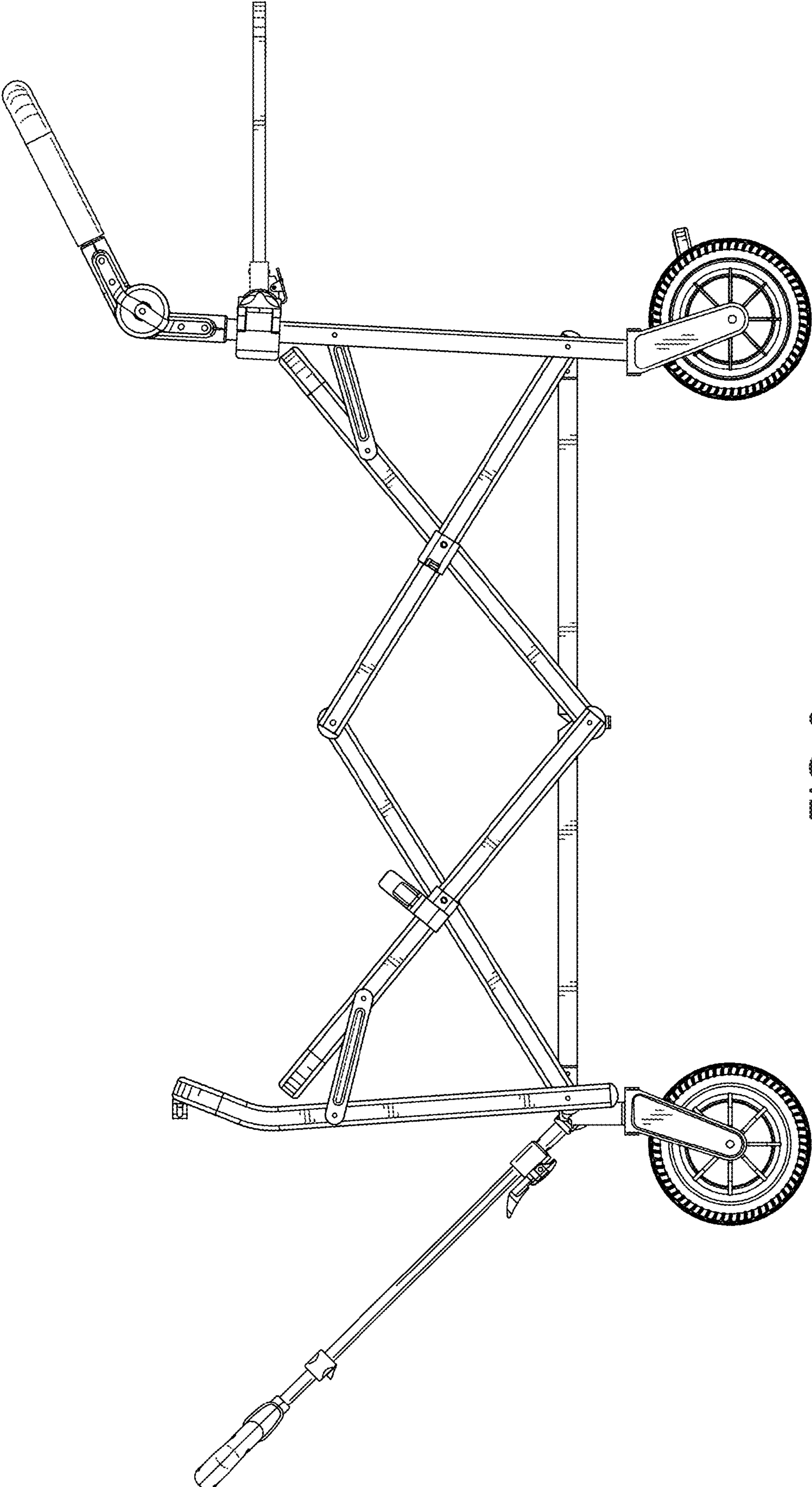


FIG. 3

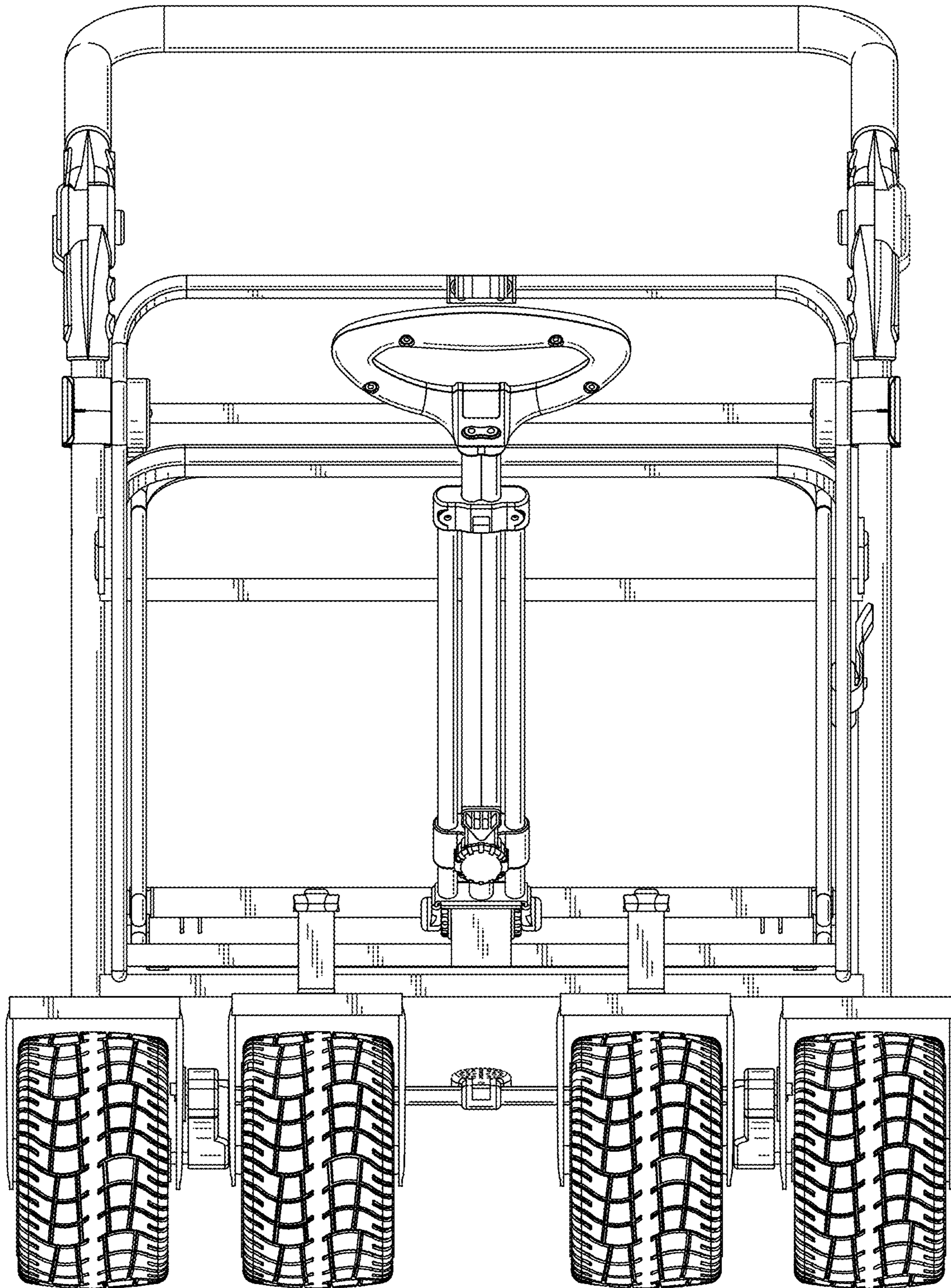


FIG. 4

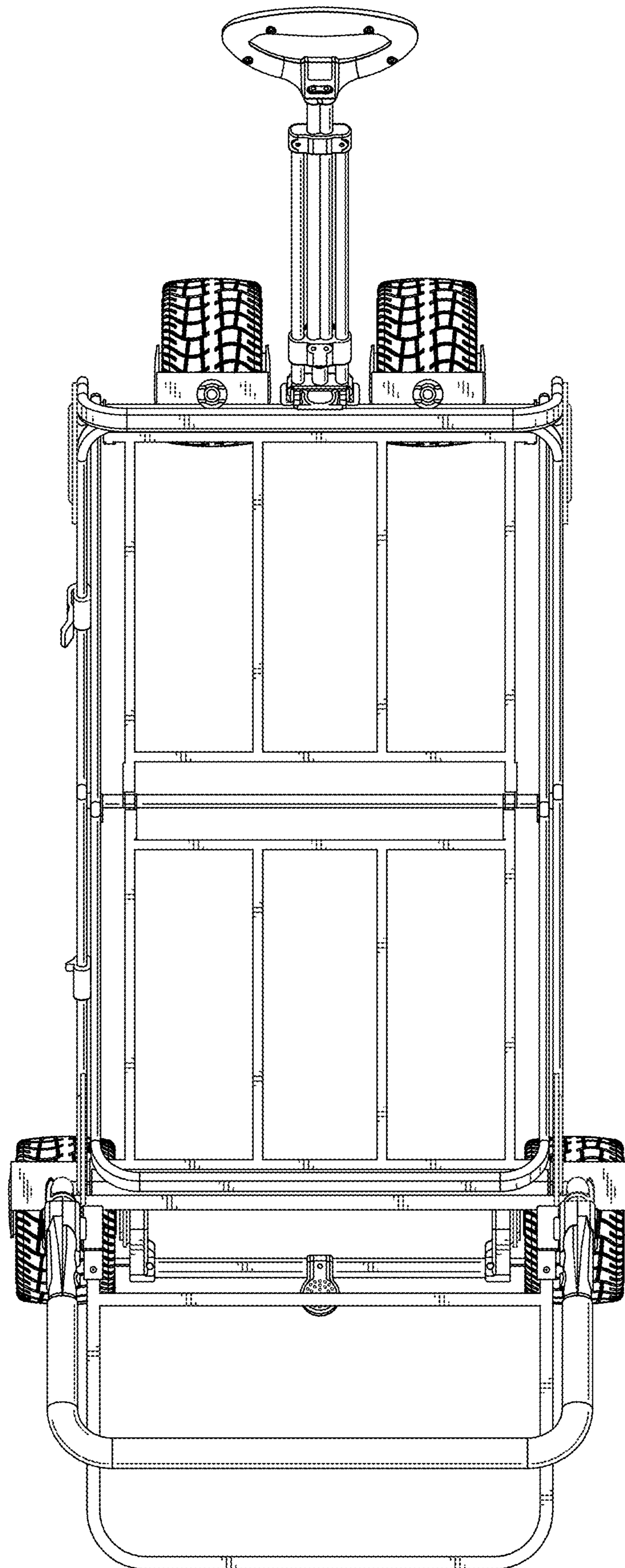


FIG. 5

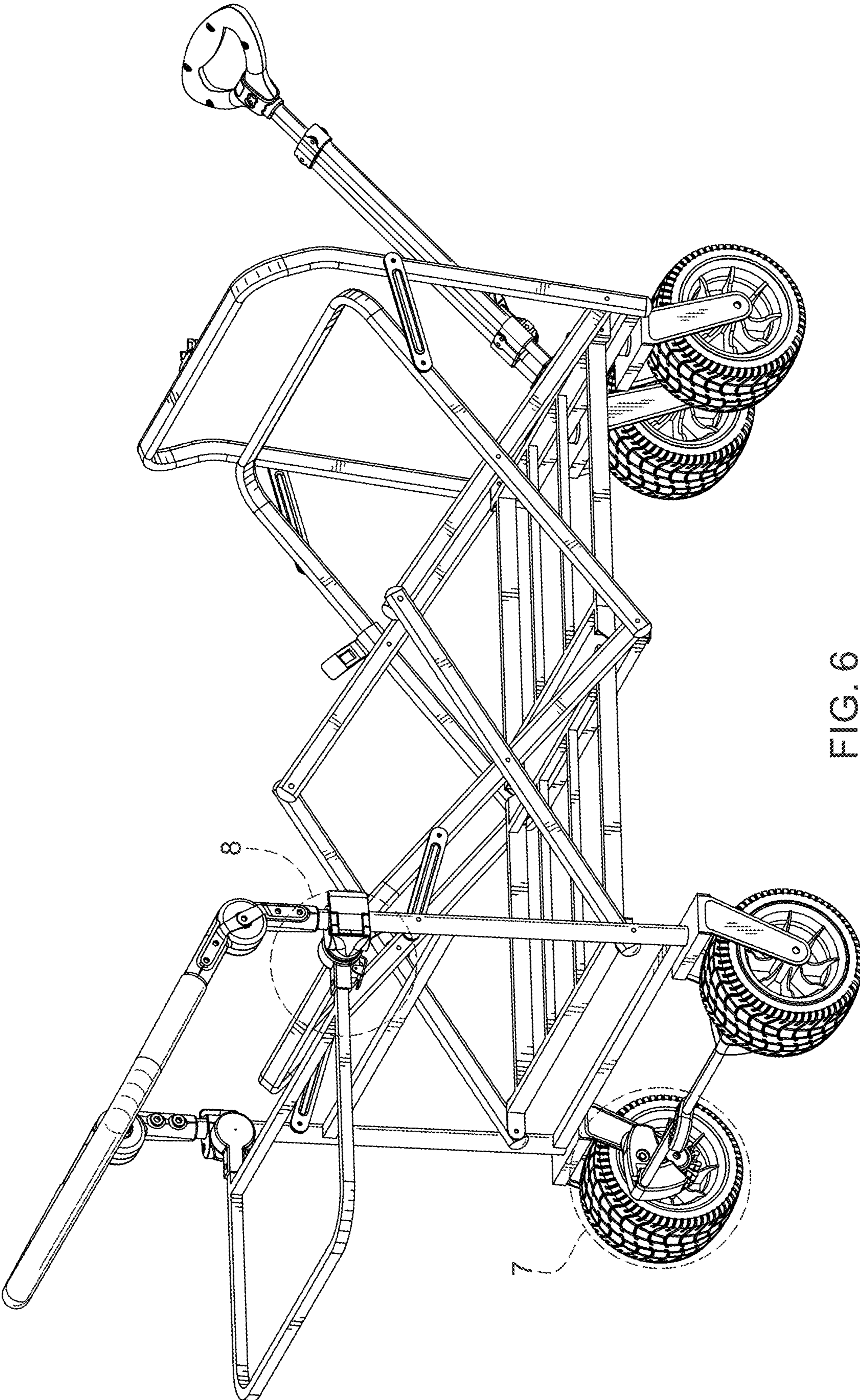


FIG. 6

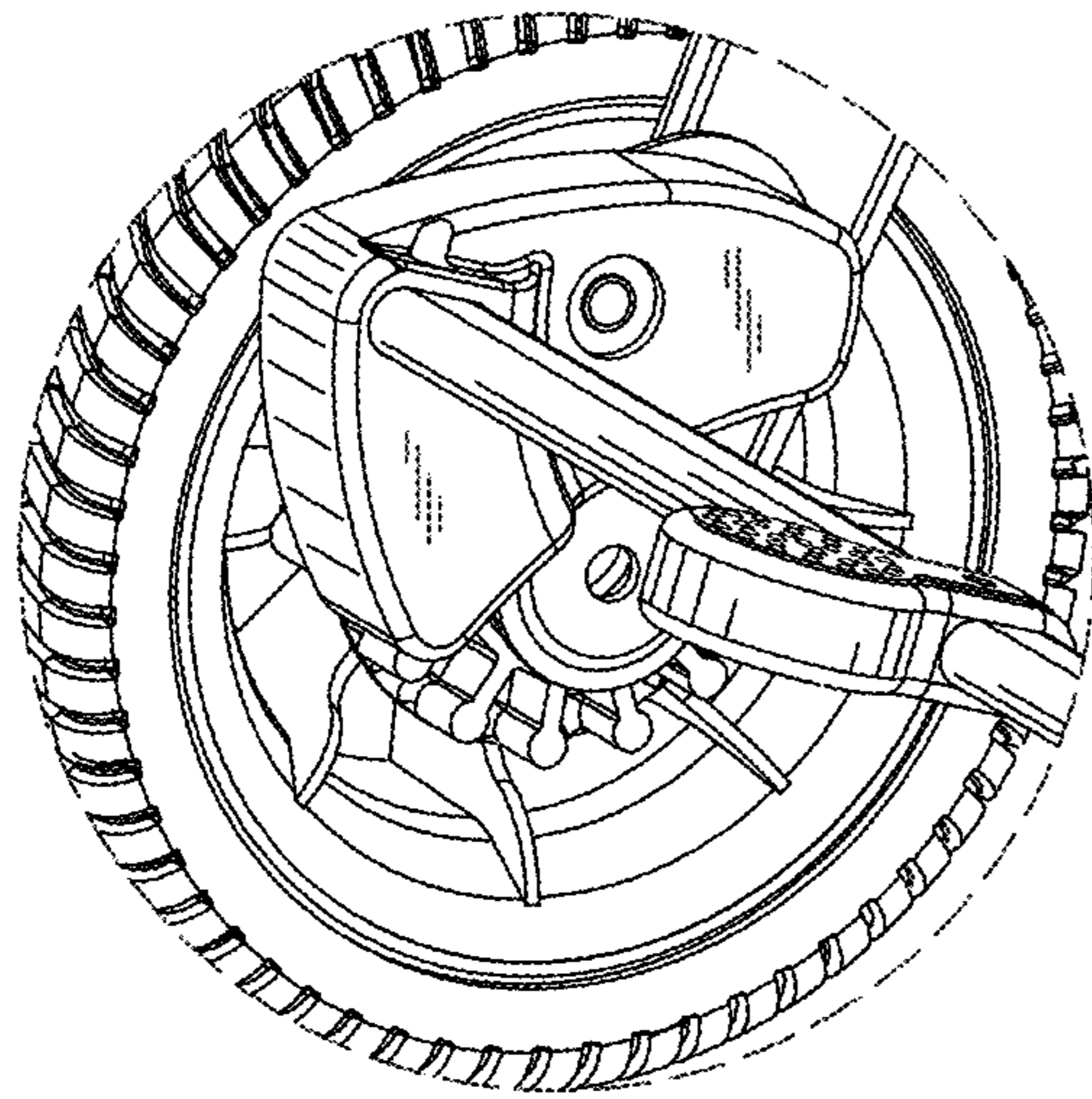


FIG. 7

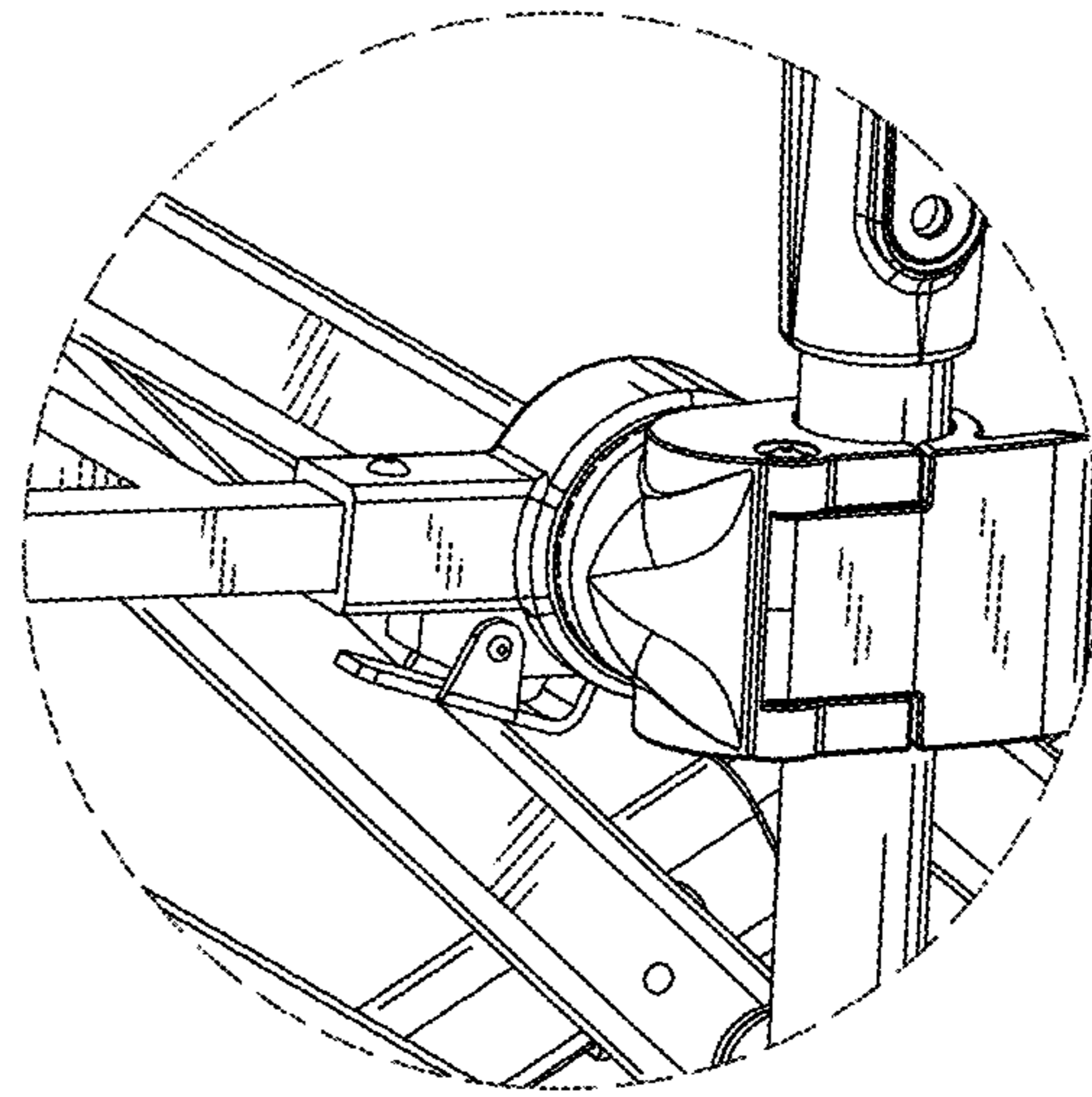


FIG. 8

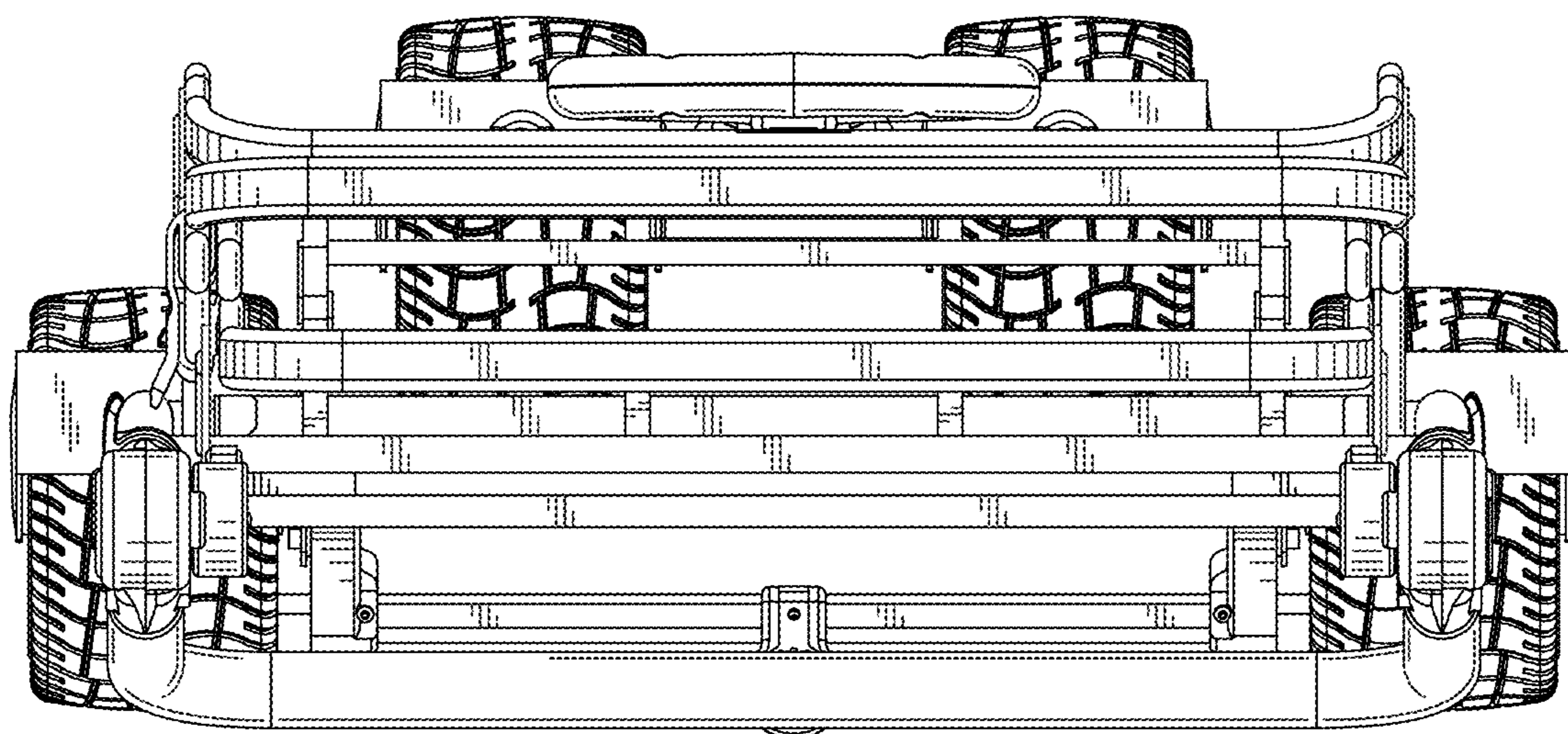


FIG. 9

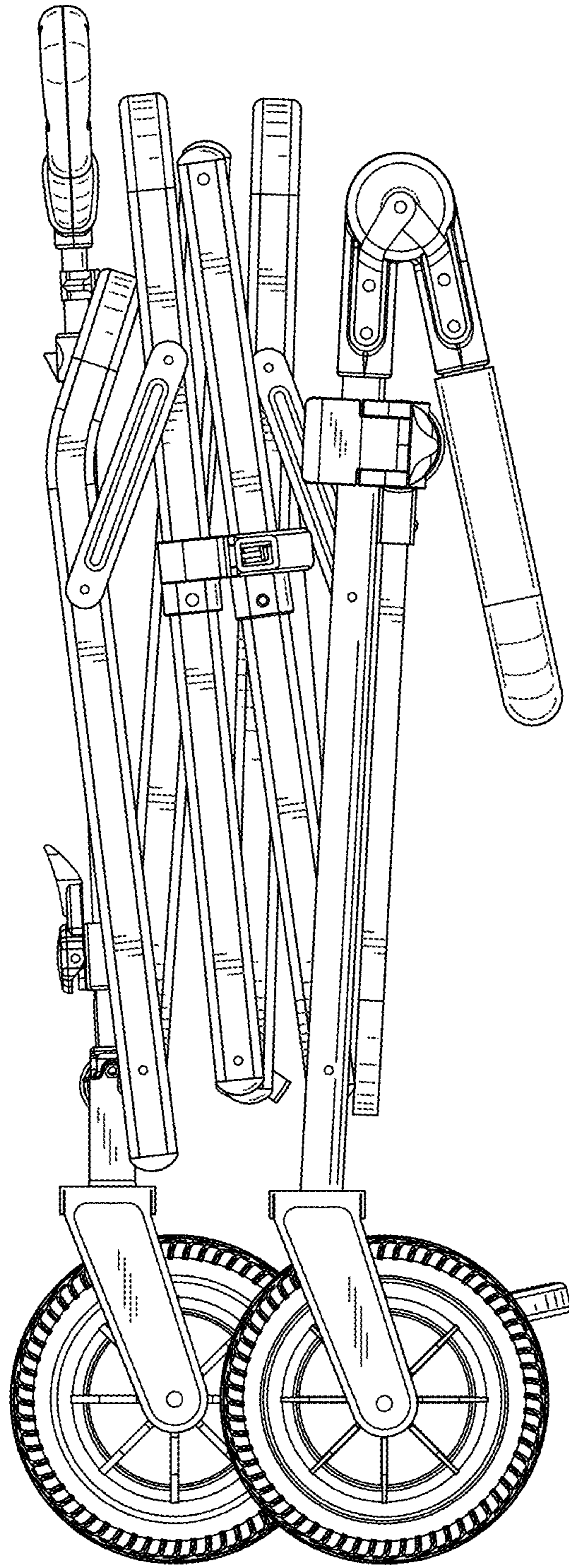


FIG. 10

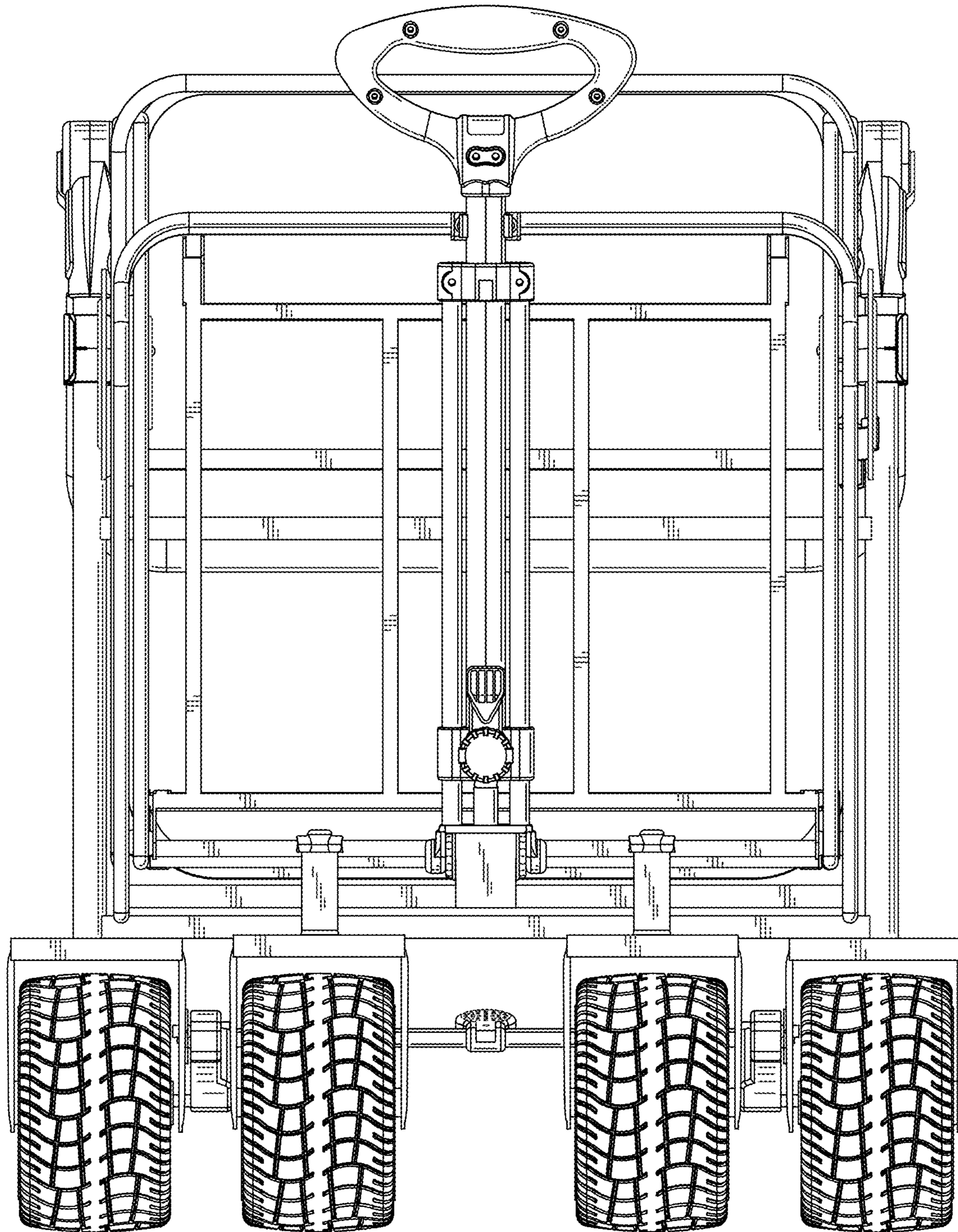


FIG. 11

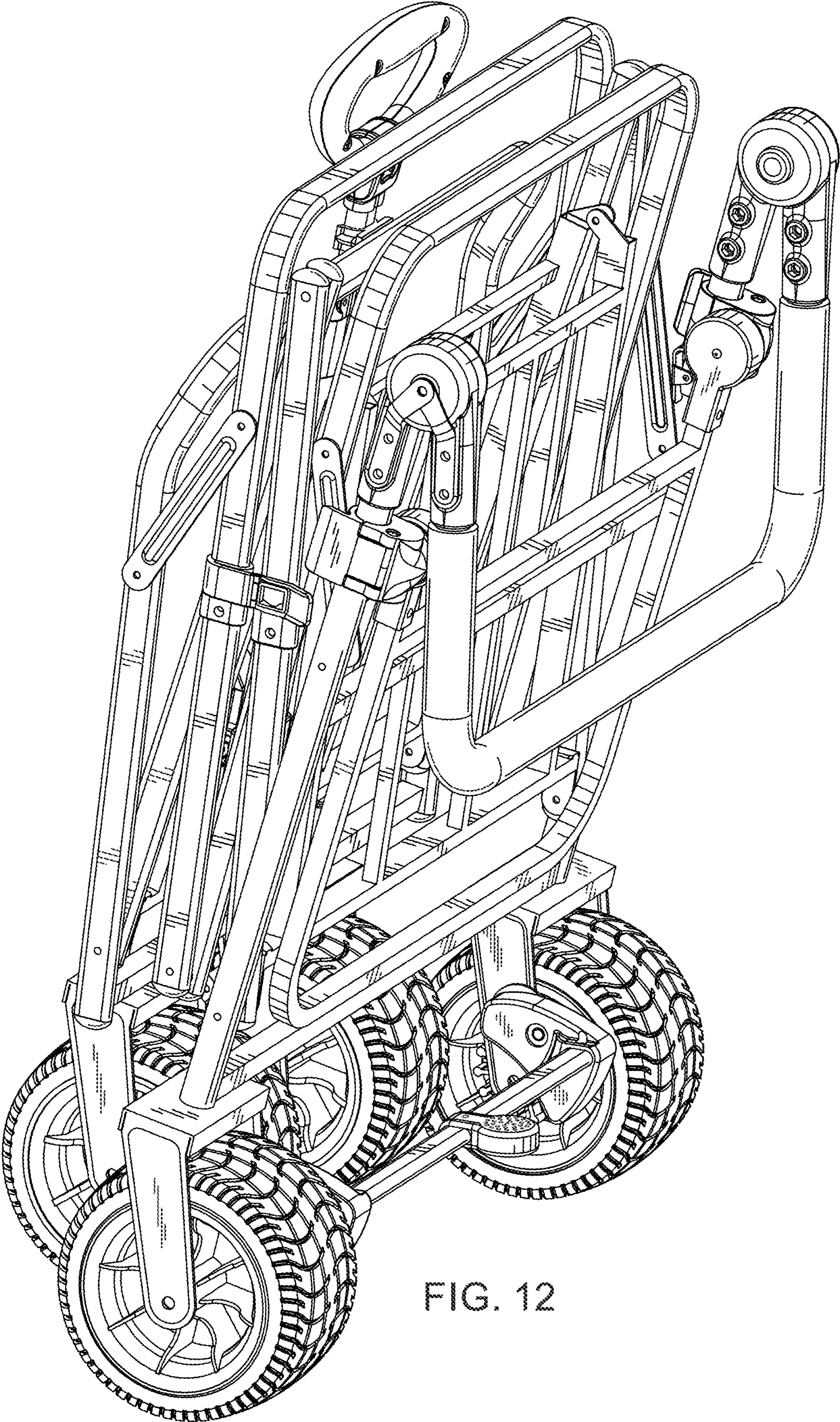


FIG. 12