



US00D922016S

(12) **United States Design Patent** (10) **Patent No.:** **US D922,016 S**
Israel et al. (45) **Date of Patent:** **** Jun. 8, 2021**

(54) **PORTABLE STEAMER**
(71) Applicant: **Vornado Air, LLC**, Andover, KS (US)
(72) Inventors: **Gary P. Israel**, Andover, KS (US);
Glen W. Ediger, North Newton, KS (US)
(73) Assignee: **Vornado Air, LLC**, Andover, KS (US)
(**) Term: **15 Years**

(21) Appl. No.: **29/662,709**
(22) Filed: **Sep. 7, 2018**
(51) **LOC (13) Cl.** **07-05**
(52) **U.S. Cl.**
USPC **D32/35**
(58) **Field of Classification Search**
USPC D32/2-3, 6, 8, 15-17, 25, 29.1, 30-35,
D32/39, 54
CPC A47L 15/42; A47L 15/48; A47L 15/14;
A47L 15/23; D06F 87/00; B08B 3/12;
A46B 15/00
See application file for complete search history.

(56) **References Cited**

U.S. PATENT DOCUMENTS

2,238,849 A * 4/1941 Kastberg A47L 15/23
239/245
D243,556 S * 3/1977 Thomas D24/218
D306,784 S * 3/1990 Fung D32/1
D315,039 S * 2/1991 Wortham D32/1
D315,814 S * 3/1991 Strand D32/1
D315,815 S * 3/1991 Miller D32/1
D474,565 S * 5/2003 Pinchuk D32/1
6,800,181 B1 * 10/2004 Accattato B08B 3/00
204/224 M
D524,998 S * 7/2006 Nickerson D32/1
D542,484 S * 5/2007 Accattato D32/1
D552,806 S * 10/2007 Chen D32/1
D555,858 S * 11/2007 Yoo D32/1
D575,912 S * 8/2008 Mangano D32/1

D611,652 S * 3/2010 Ullmann D28/44
D631,620 S * 1/2011 Choi D32/1
D770,695 S * 11/2016 Baumann D32/1
D771,881 S * 11/2016 Kessler D32/1
D778,004 S * 1/2017 Yao D32/1
D786,515 S * 5/2017 Pindzola D32/1
D826,486 S * 8/2018 Huang D32/1
2004/0084433 A1 * 5/2004 Field D06F 75/08
219/221
2005/0023246 A1 * 2/2005 McEntee B08B 3/12
216/83

FOREIGN PATENT DOCUMENTS

CN 302650986 * 11/2013 15/5

OTHER PUBLICATIONS

Vornado Air SF-717 Compact Steam Iron | eBay, reviews 2017,
<https://www.ebay.com/itm/Vornado-Air-SF-717-Compact-Steam-Iron-with-Dual-Voltage-/352514535273>, site visited Mar. 12, 2020.*

* cited by examiner

Primary Examiner — John R Yeh

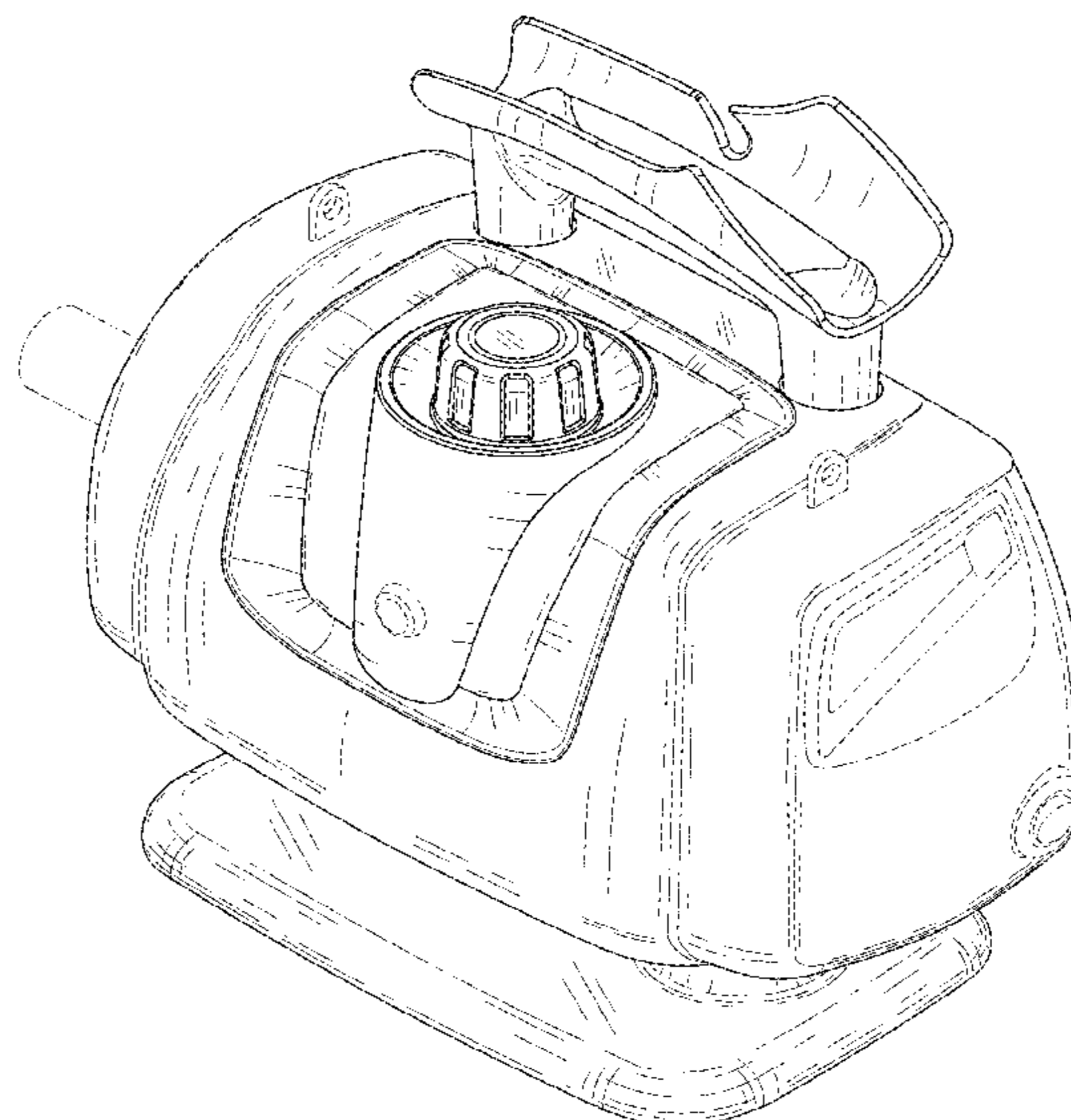
(57) **CLAIM**

The ornamental design for a portable steamer, as shown and described.

DESCRIPTION

FIG. 1 is a left, rear, top perspective view of a portable steamer in accordance with the present invention;
FIG. 2 is a left elevation view thereof;
FIG. 3 is a right elevation view thereof;
FIG. 4 is a top plan view thereof;
FIG. 5 is a bottom plan view thereof;
FIG. 6 is a rear elevation view thereof; and,
FIG. 7 is a front elevation view thereof.
The broken lines illustrate portions of the portable steamer that form no part of the claimed design.

1 Claim, 7 Drawing Sheets



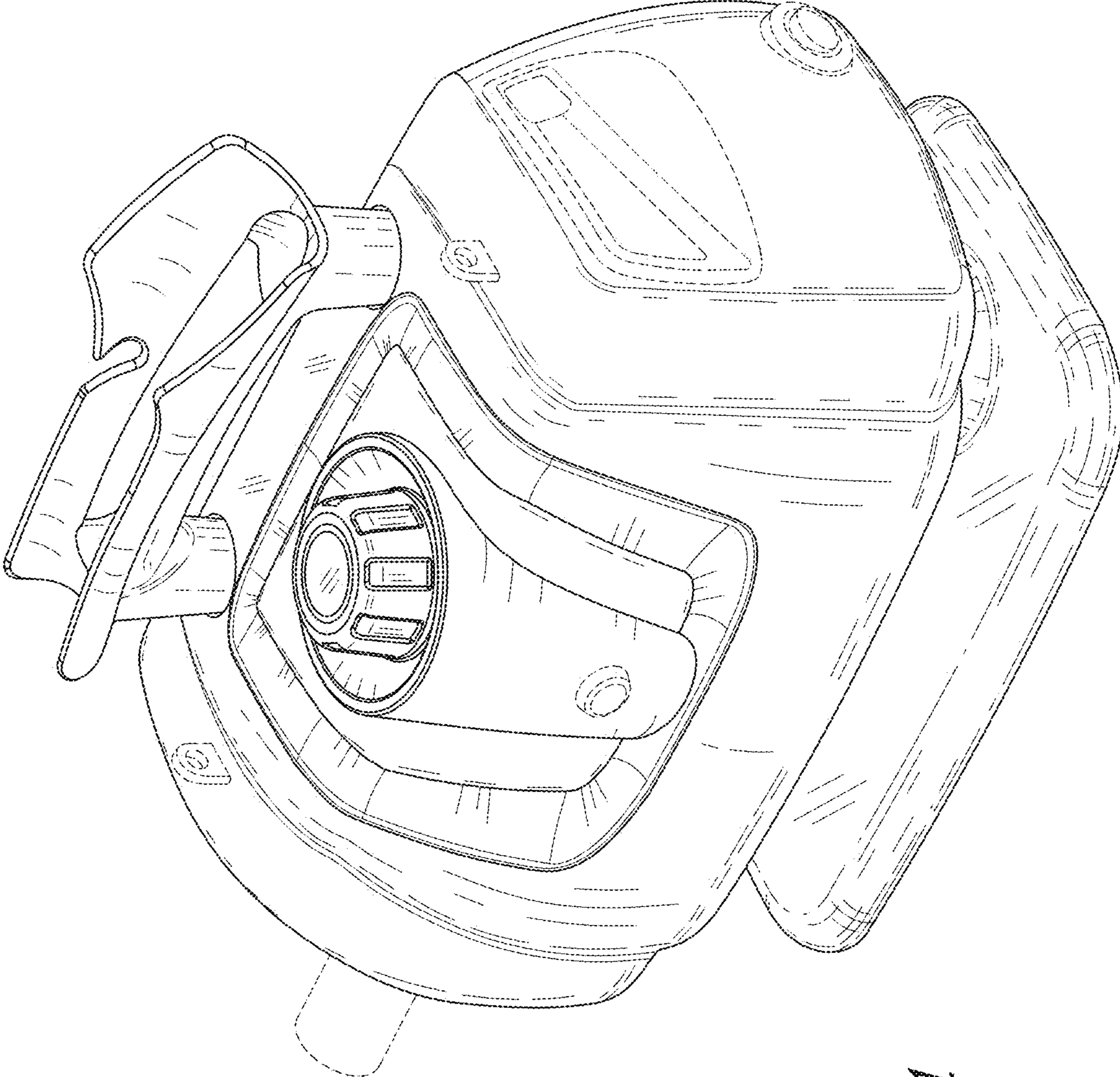


FIG. 1

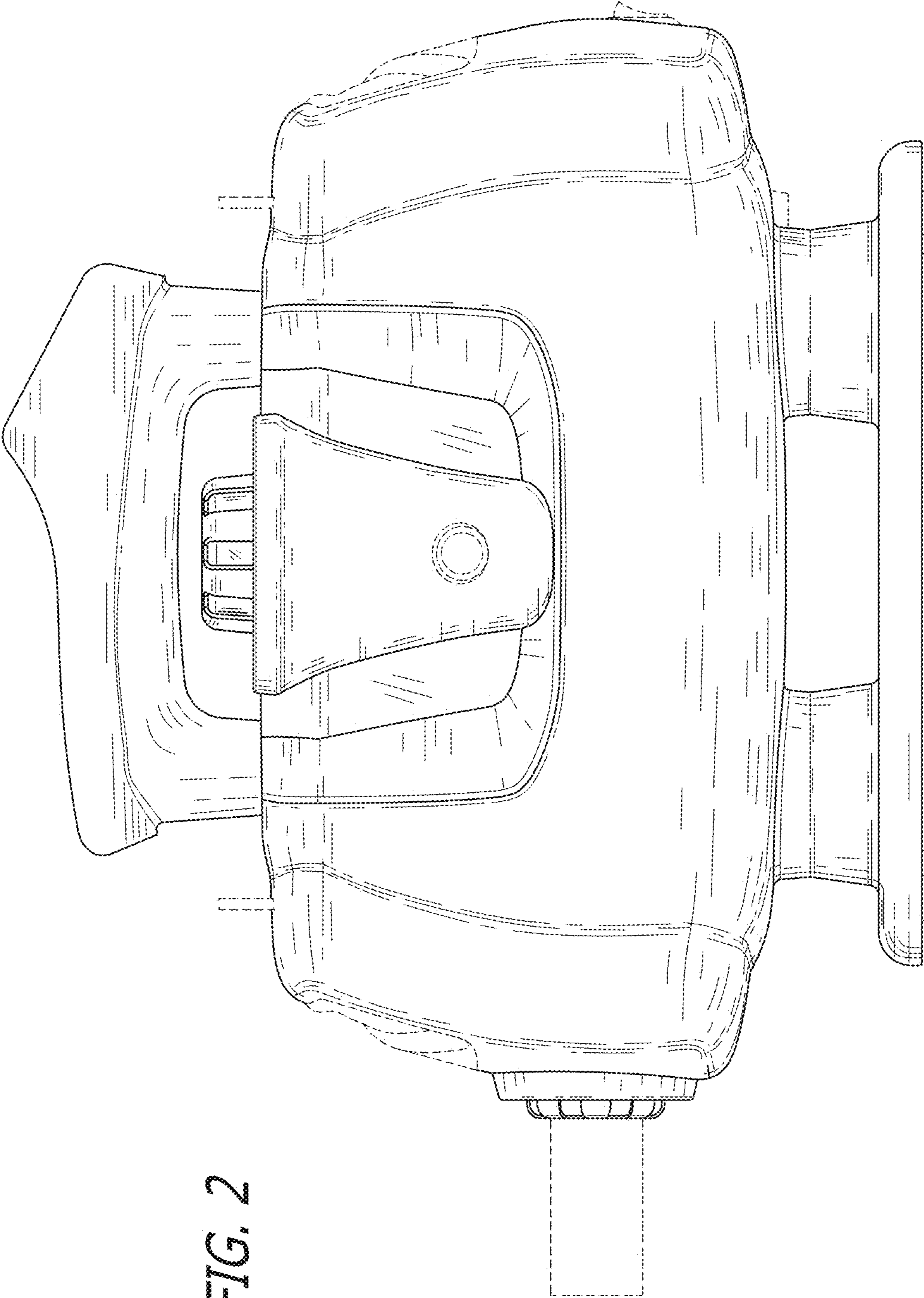
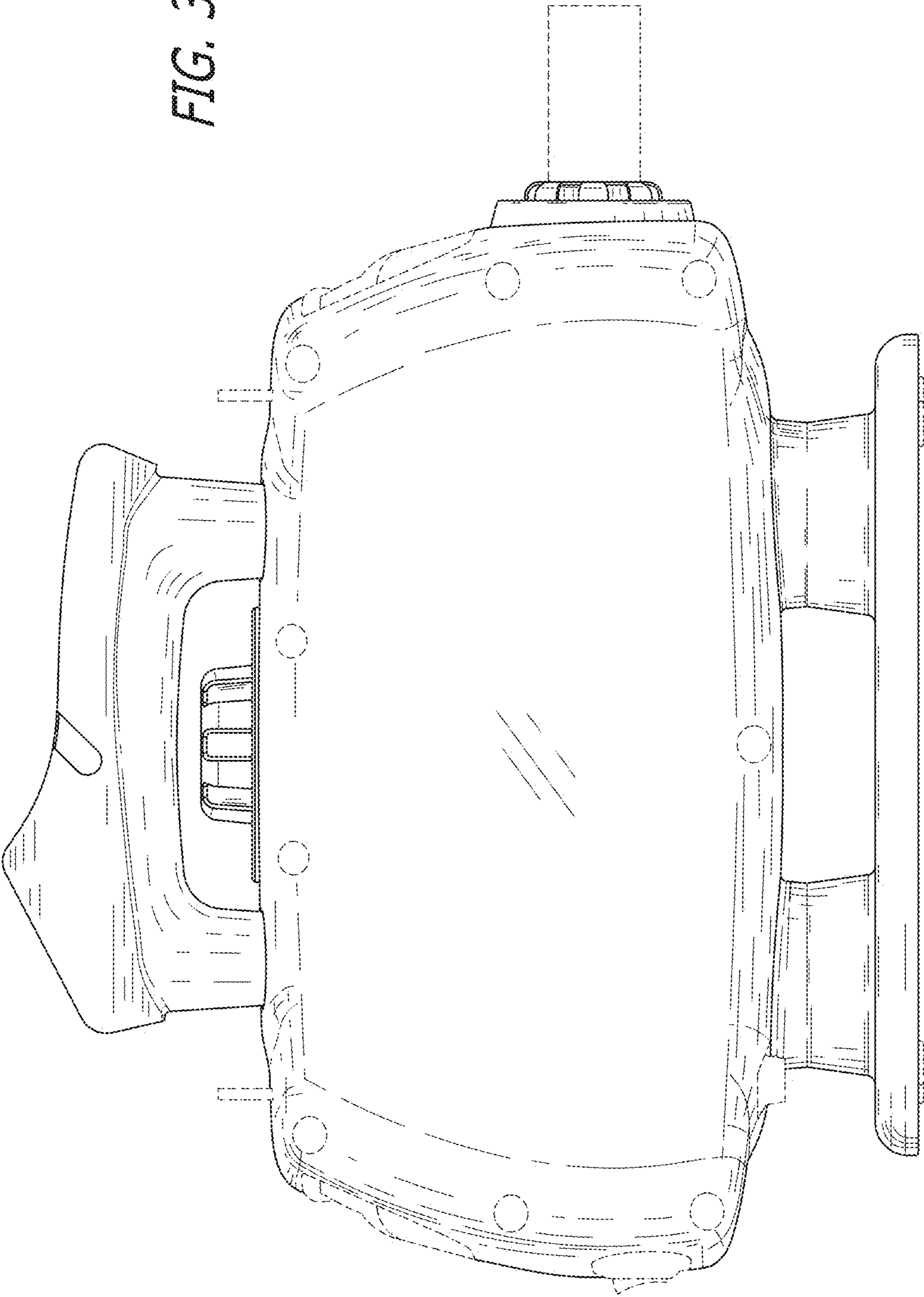


FIG. 2

FIG. 3



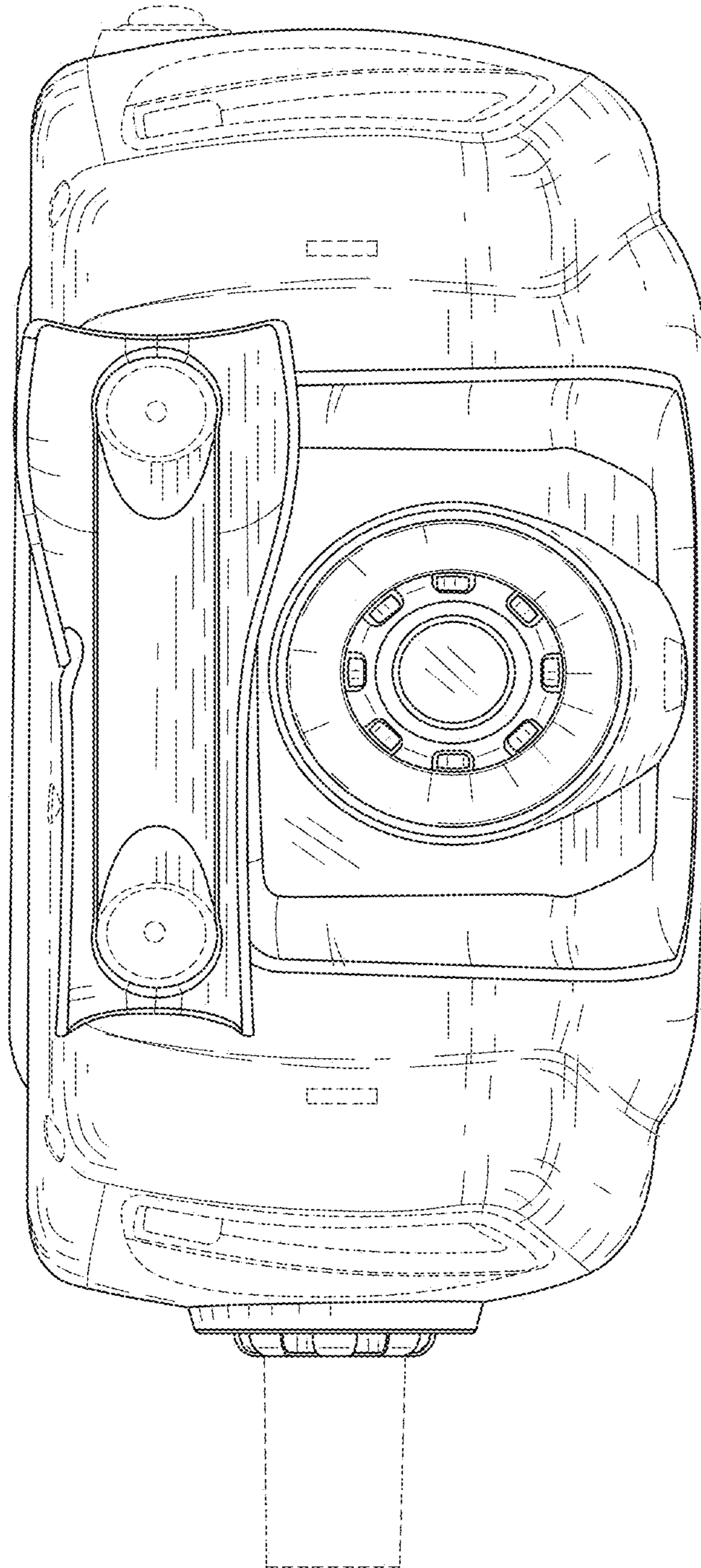


FIG. 4

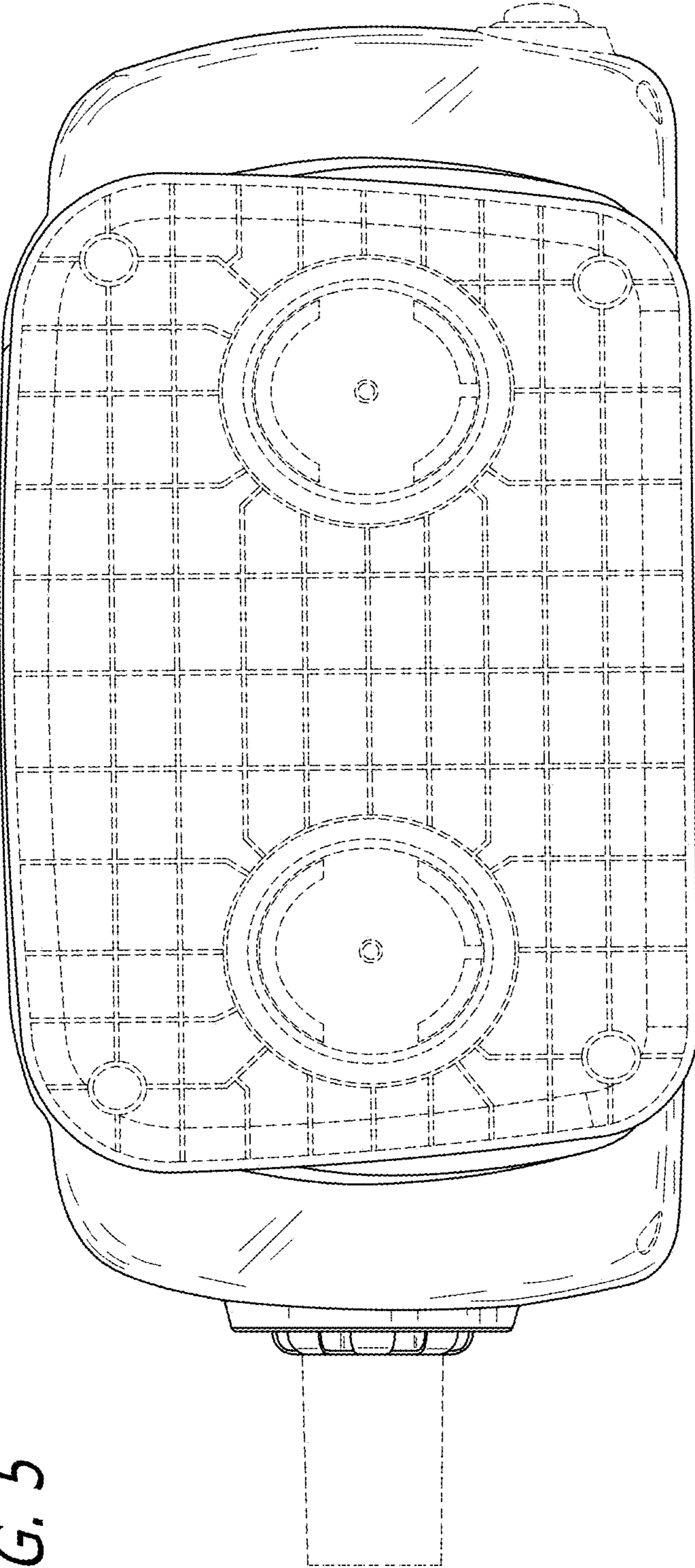


FIG. 5

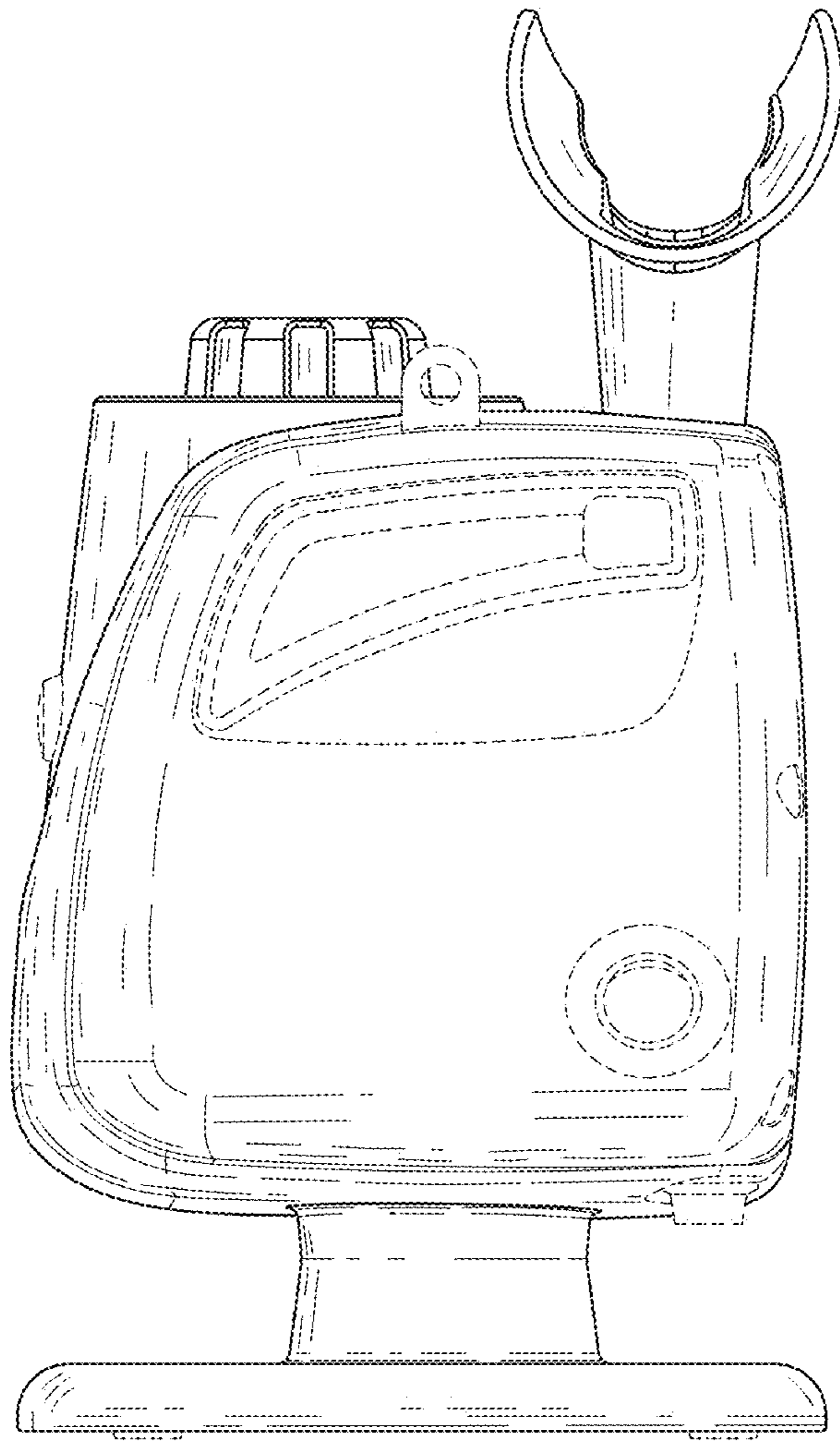


FIG. 6

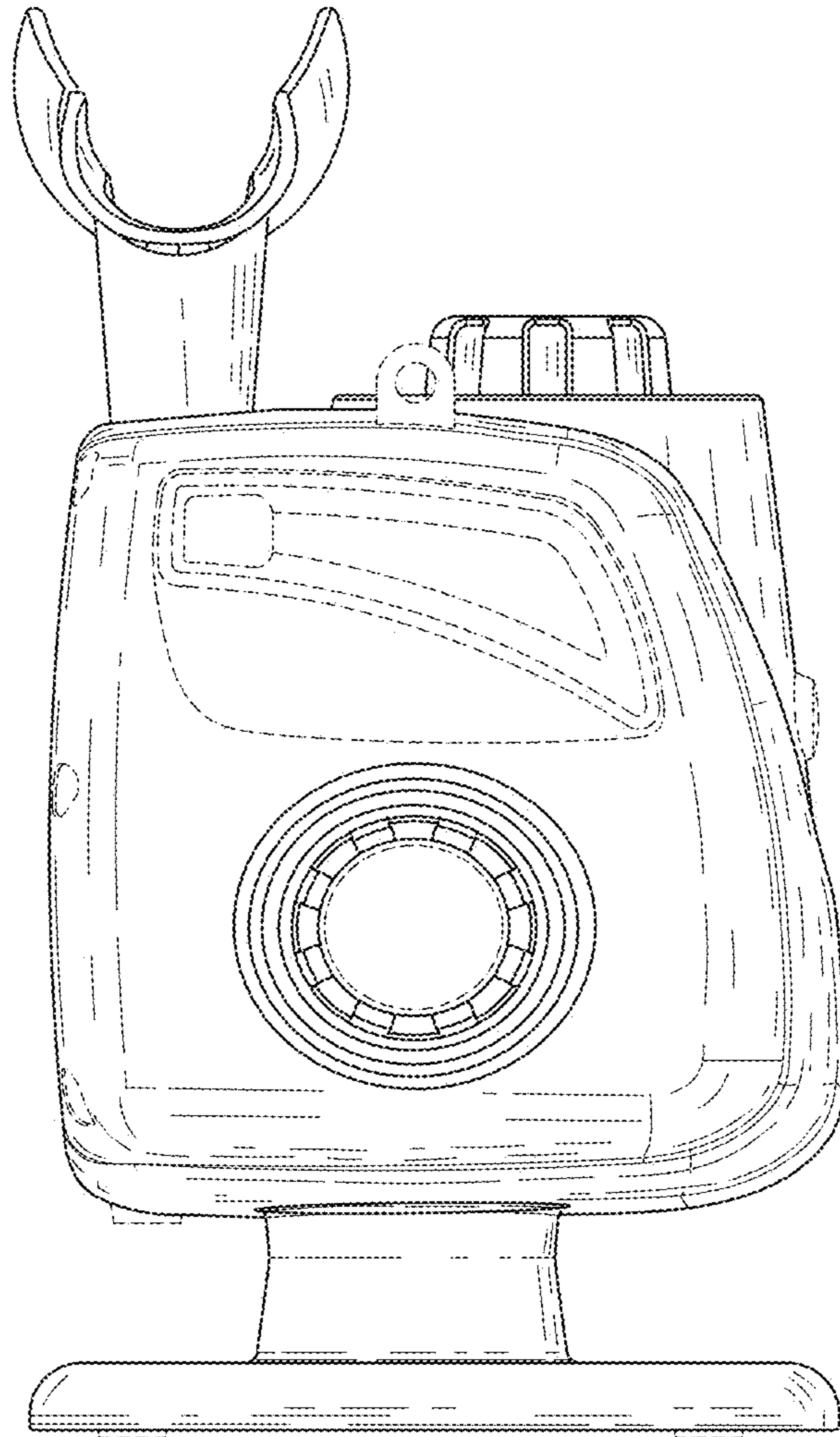


FIG. 7