



US00D922015S

(12) **United States Design Patent**
Polden et al.

(10) **Patent No.:** **US D922,015 S**
(45) **Date of Patent:** **** Jun. 8, 2021**

(54) **ATTACHMENT FOR A VACUUM CLEANER**

(71) Applicant: **Dyson Technology Limited**, Wiltshire (GB)

(72) Inventors: **Sean Alexander Polden**, Bristol (GB); **Jonathan Luke Kettle**, Gloucester (GB); **Philip Stephen Douglas**, Bristol (GB); **Samuel Fraser Twist**, Bristol (GB)

(73) Assignee: **Dyson Technology Limited**, Malmesbury (GB)

(**) Term: **15 Years**

(21) Appl. No.: **29/722,494**

(22) Filed: **Jan. 30, 2020**

(30) **Foreign Application Priority Data**

Jul. 31, 2019 (EM) 006657292-0001

(51) **LOC (13) Cl.** **15-05**

(52) **U.S. Cl.**
USPC **D32/32**

(58) **Field of Classification Search**
USPC D32/31, 32, 33, 34
CPC A47L 9/02; A47L 5/24; A47L 5/38; A47L 5/28; A47L 11/4044; A47L 11/34; A47L 7/0038; A47L 9/325; A47L 1/08; D01H 11/006; B60S 1/64; A46B 11/001; A46B 11/002; B08B 3/026; B08B 3/028
See application file for complete search history.

(56) **References Cited**

U.S. PATENT DOCUMENTS

D599,513 S * 9/2009 Dyson D32/32
D600,869 S * 9/2009 Dyson D32/32
D667,186 S * 9/2012 Codling D32/33

D751,780 S * 3/2016 Courtney D32/33
D752,302 S * 3/2016 Courtney D32/32
D796,136 S * 8/2017 Reynolds D32/33
D814,724 S * 4/2018 Courtney D32/32
D836,273 S * 12/2018 Nam D32/32
D836,868 S * 12/2018 Nam D32/32
D839,518 S * 1/2019 Nam D32/32
D839,519 S * 1/2019 Nam D32/33
D848,098 S * 5/2019 Nam D32/32
D848,099 S * 5/2019 Nam D32/32
D869,802 S * 12/2019 Hribar-Green D32/32
D872,955 S * 1/2020 Thorne D32/32
D875,336 S * 2/2020 Knox D32/32
D875,337 S * 2/2020 Knox D32/32
D879,398 S * 3/2020 Burgess D32/32
D880,090 S * 3/2020 Tokoi D32/32
D882,196 S * 4/2020 Lee D32/33
2014/0137366 A1 * 5/2014 Elsdon A47L 9/04
15/363
2018/0055313 A1 * 3/2018 Yang A47L 9/066
(Continued)

Primary Examiner — Michelle E. Wilson

Assistant Examiner — Richard E Yenchesky

(74) *Attorney, Agent, or Firm* — Morrison & Foerster LLP

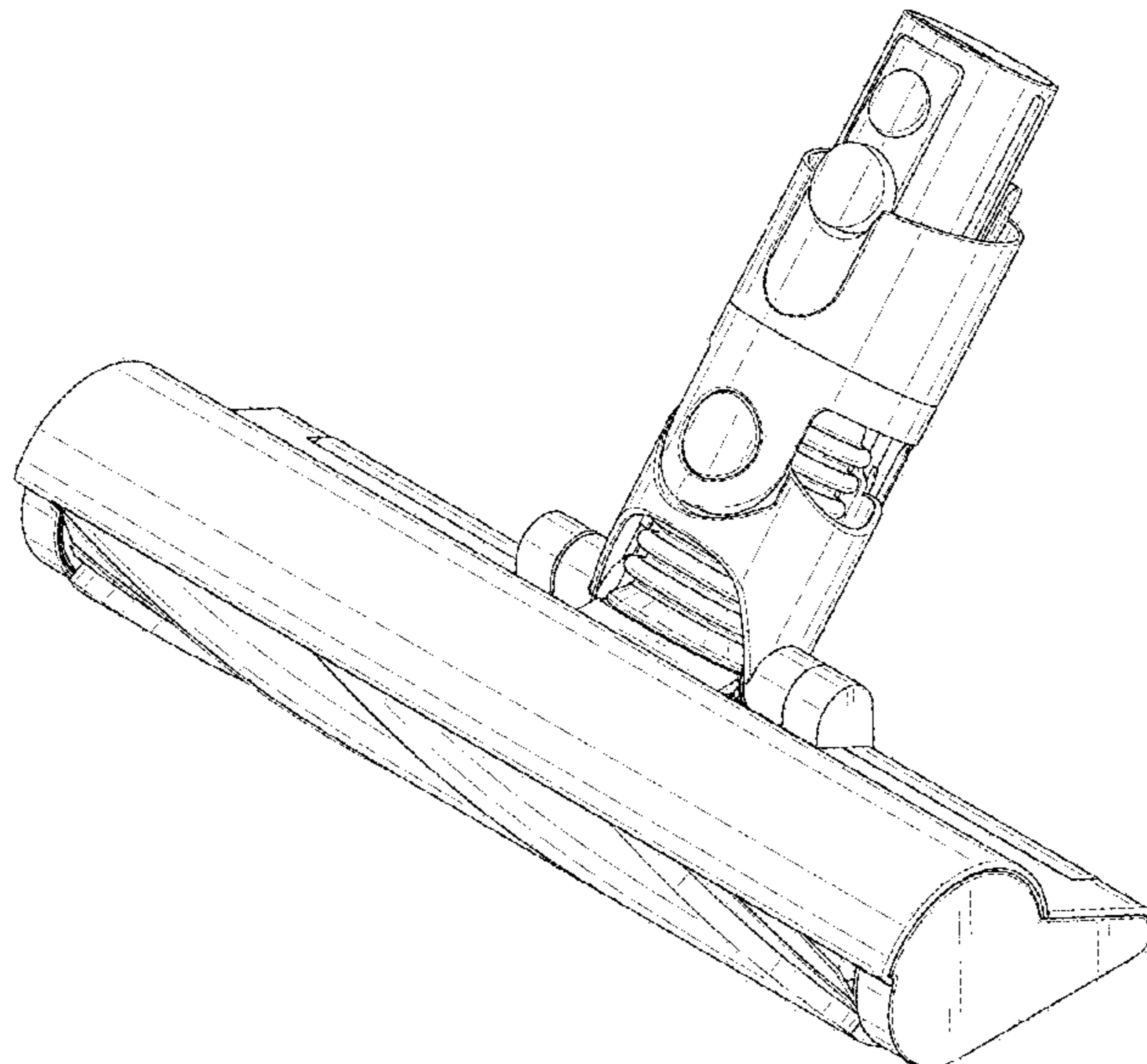
(57) **CLAIM**

We claim the ornamental design for an attachment for a vacuum cleaner, as shown and described.

DESCRIPTION

FIG. 1 is a top perspective view of an attachment for a vacuum cleaner showing our new design;
FIG. 2 is a bottom perspective view thereof;
FIG. 3 is a front view thereof;
FIG. 4 is a rear view thereof;
FIG. 5 is a top view thereof;
FIG. 6 bottom view thereof; and,
FIG. 7 is a side view thereof.
The side view opposite the side view of FIG. 7 is a mirror image thereof, and therefore, is omitted.

1 Claim, 7 Drawing Sheets



(56)

References Cited

U.S. PATENT DOCUMENTS

2020/0000304 A1* 1/2020 Holmes A47L 9/0477
2020/0029761 A1* 1/2020 Knight Adams A47L 9/02
2020/0214523 A1* 7/2020 Kim A47L 9/02
2020/0221914 A1* 7/2020 Kim A47L 9/242
2020/0245831 A1* 8/2020 Peng A47L 9/02

* cited by examiner

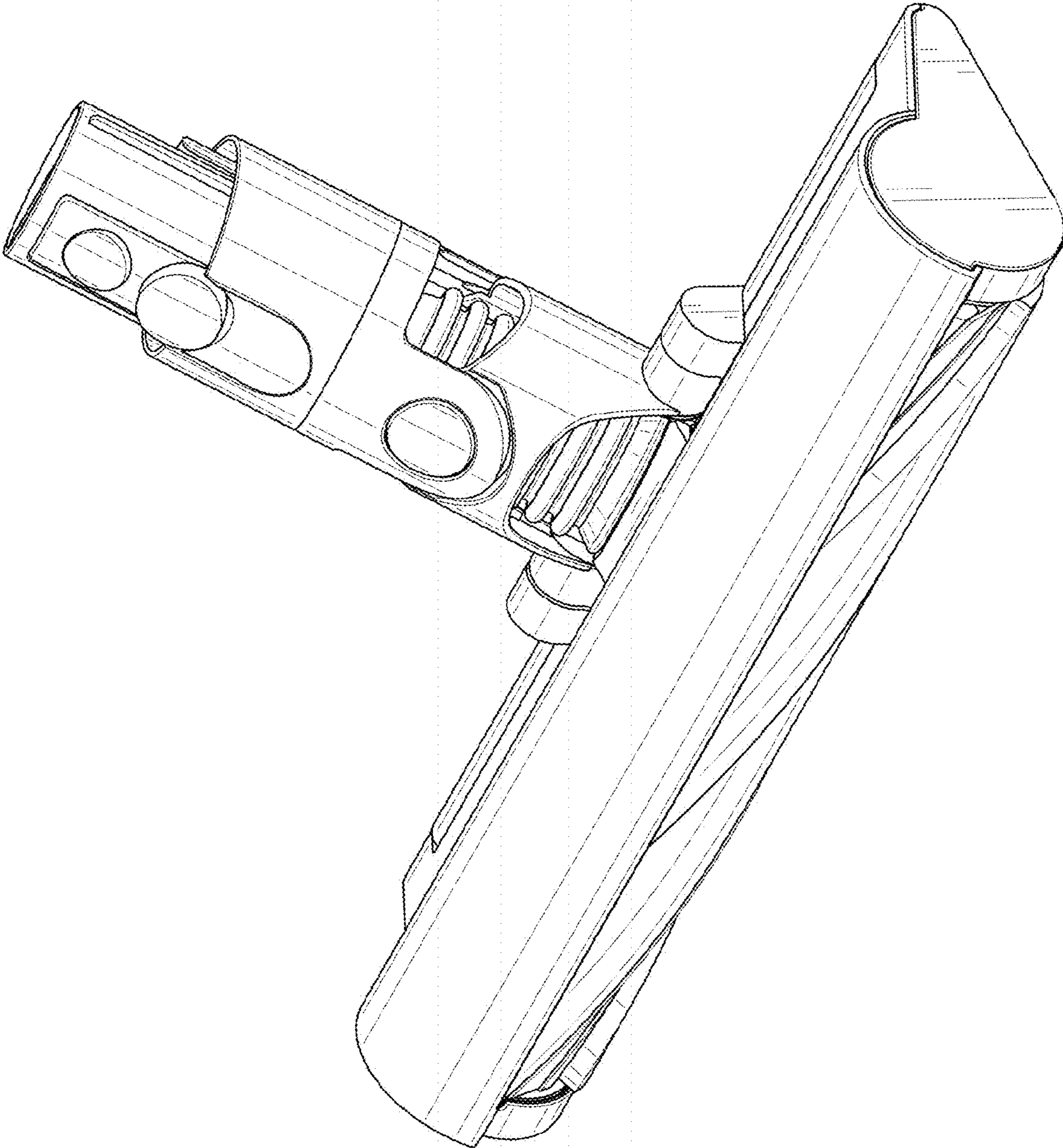


FIG. 1

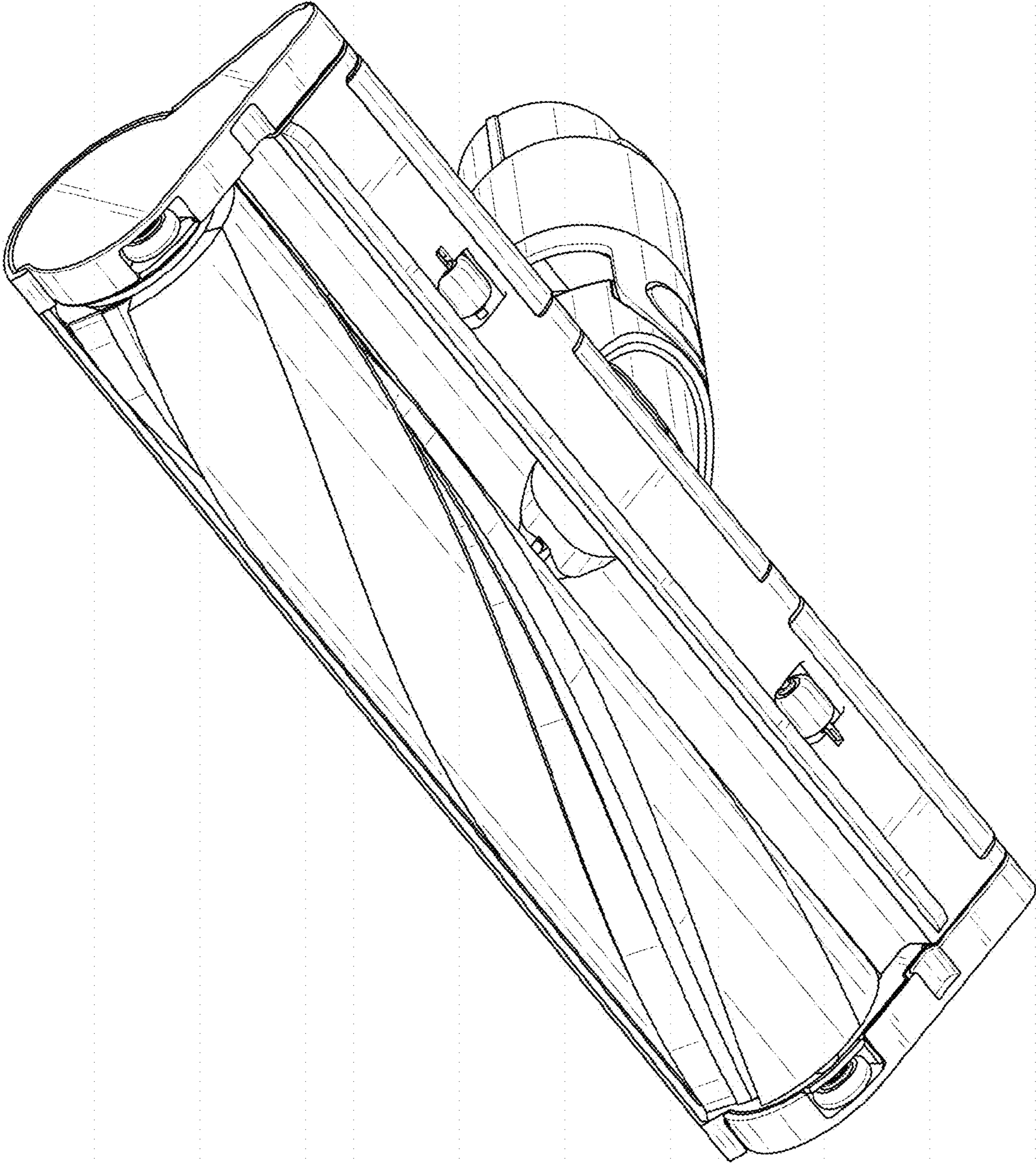


FIG. 2

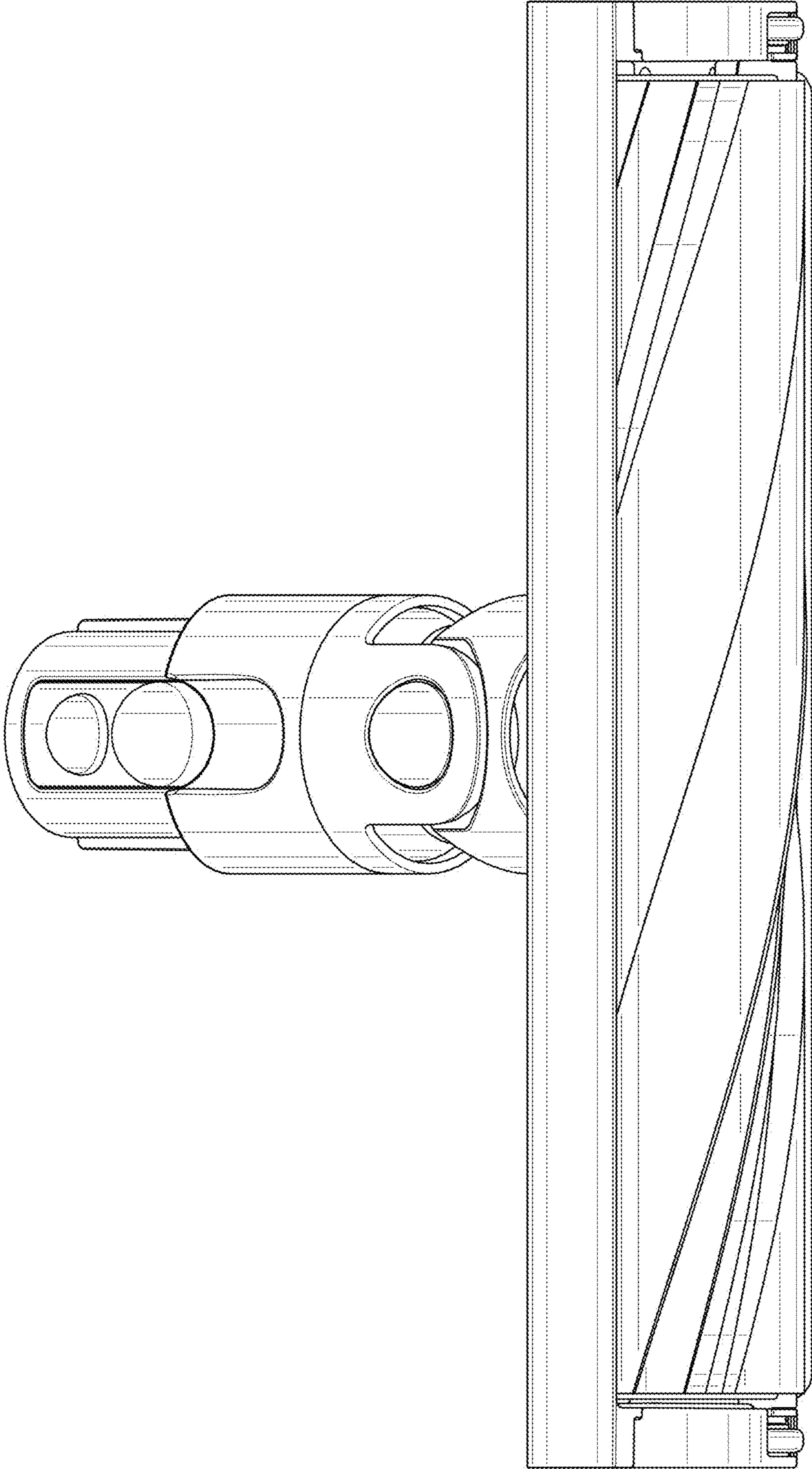


FIG. 3

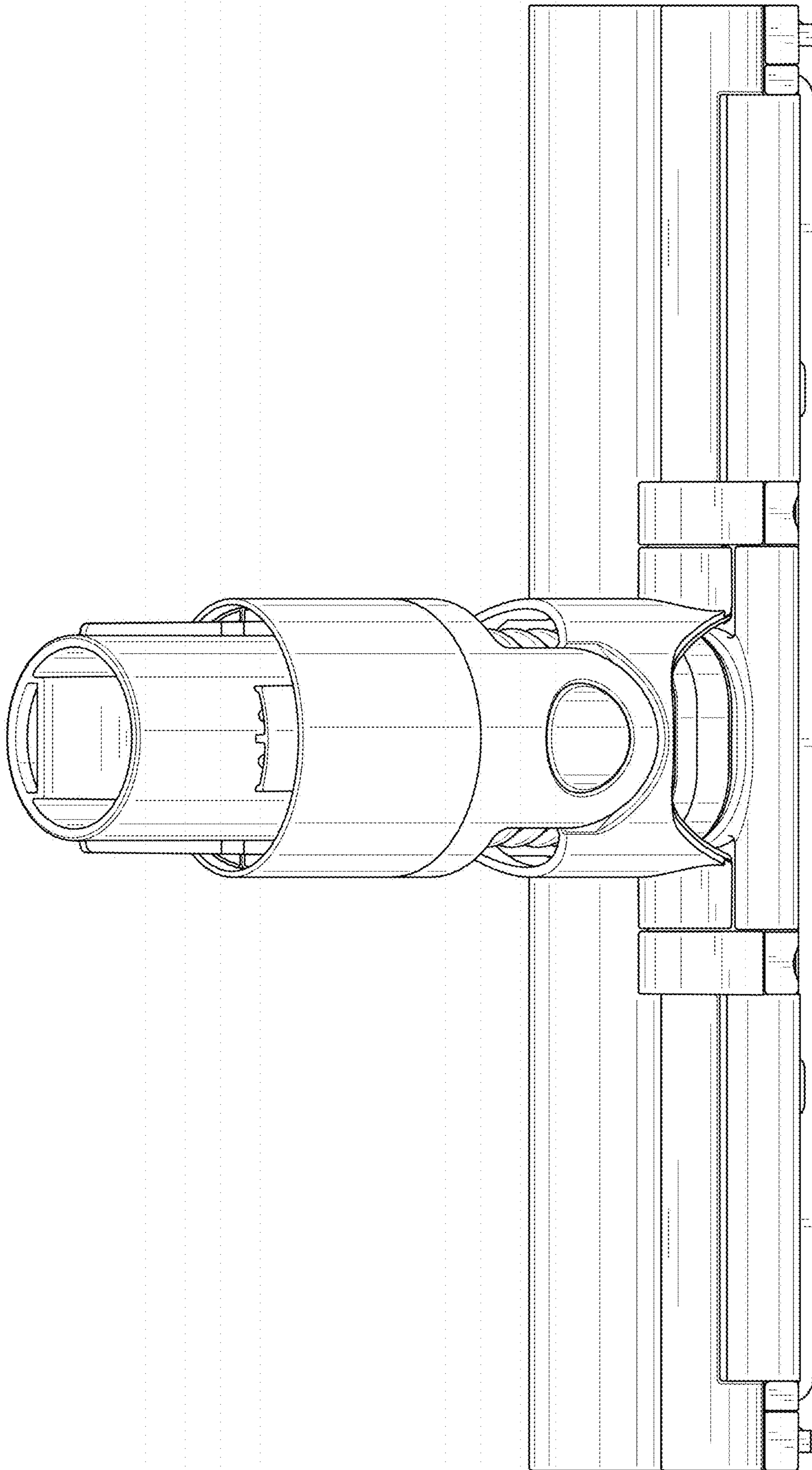


FIG. 4

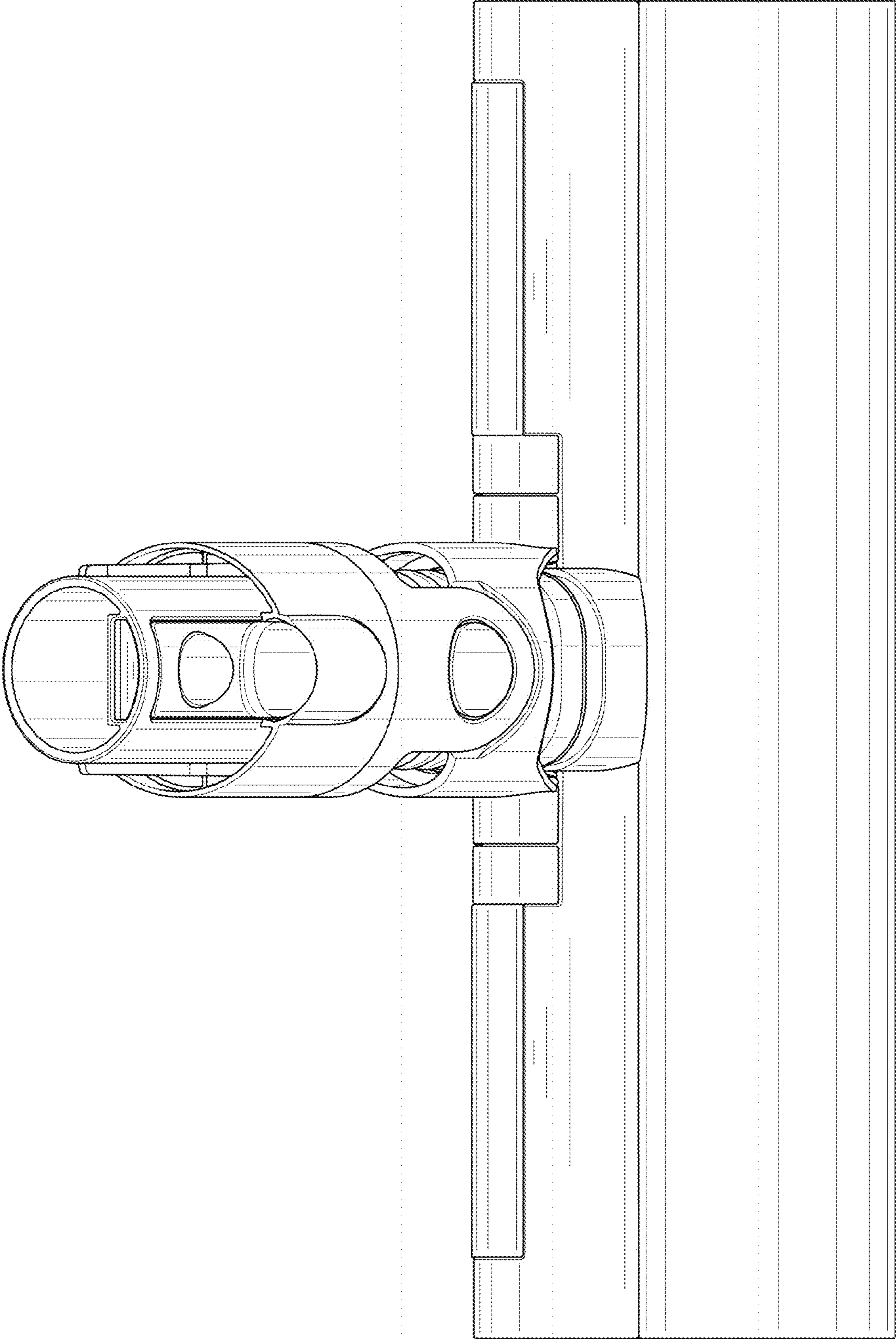


FIG. 5

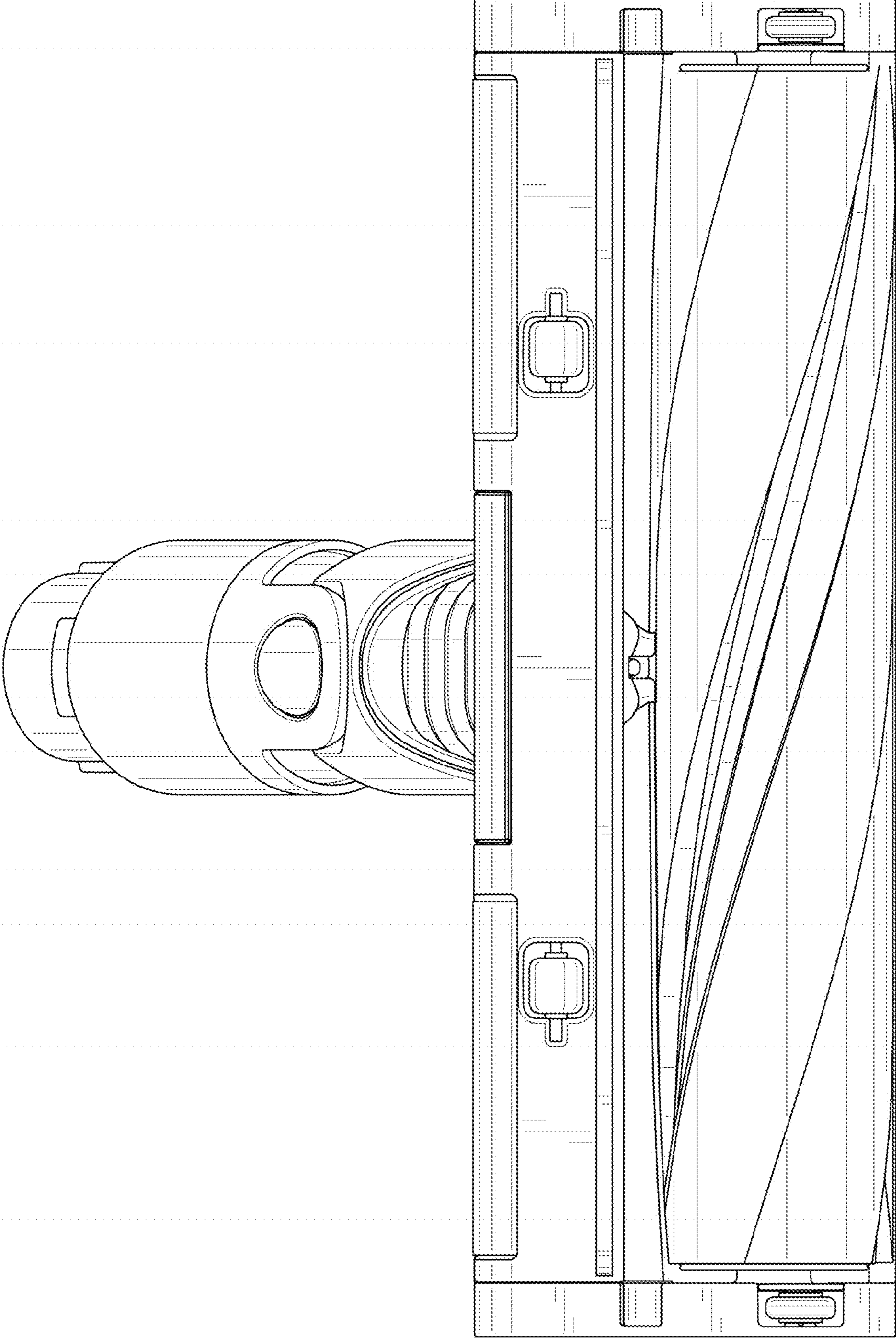


FIG. 6

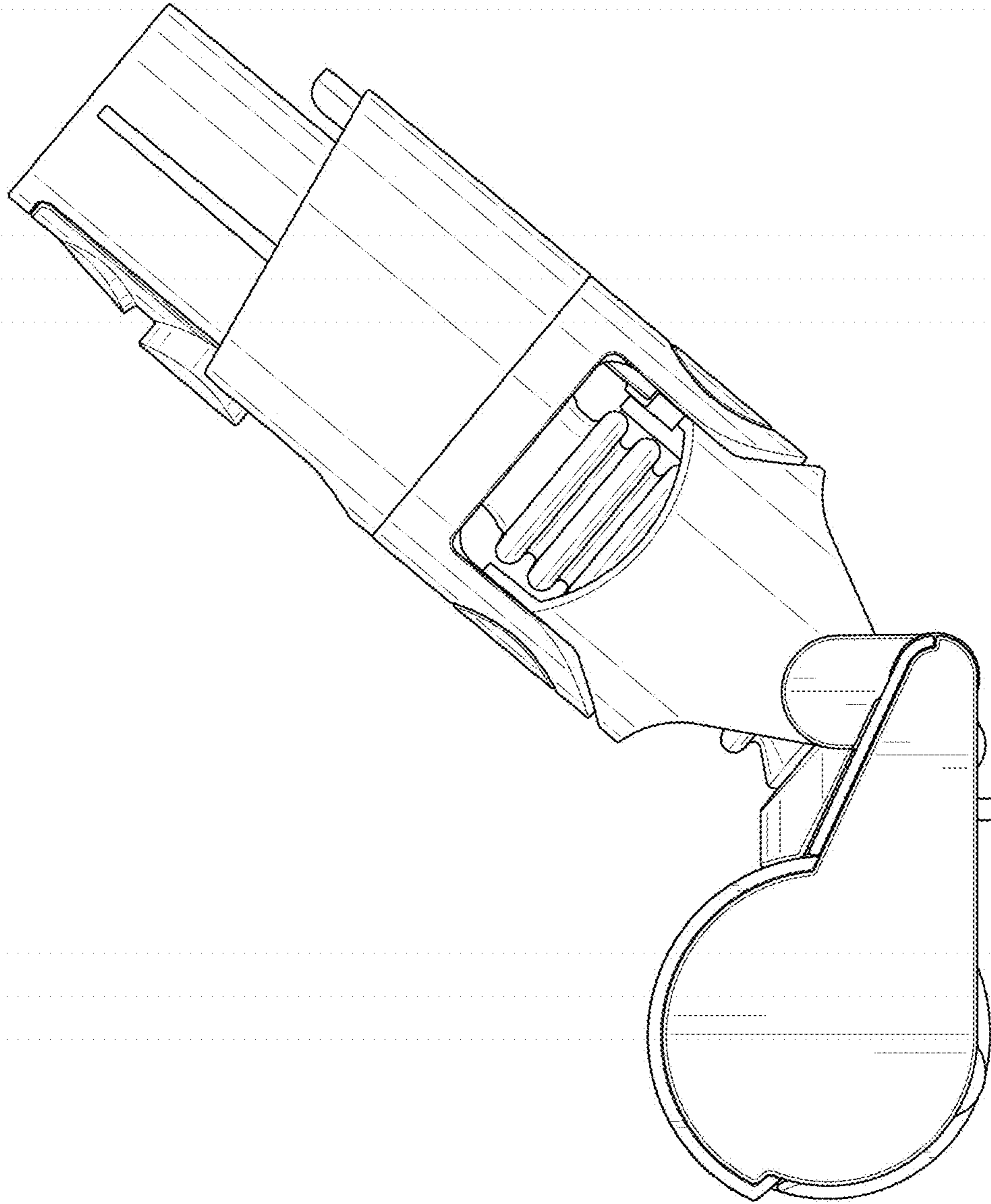


FIG. 7