



US00D922014S

(12) **United States Design Patent** (10) **Patent No.:** **US D922,014 S**
Roschi (45) **Date of Patent:** **** Jun. 8, 2021**

(54) **ACCESSORY FOR VACUUM CLEANERS**

2,627,623 A 2/1953 Humphrey
 2,915,774 A 12/1959 Darrow
 3,245,228 A 4/1966 Stuemky et al.
 3,266,059 A 8/1966 Stelle
 3,855,666 A 12/1974 Erikson et al.
 (Continued)

(71) Applicant: **NEW ERMES EUROPE S.r.l.**, Crosio della Valle (IT)

(72) Inventor: **Riccardo Roschi**, Crosio della Valle (IT)

(73) Assignee: **New Ermes S.r.l.**, Crosio della Valle (IT)

(**) Term: **15 Years**

(21) Appl. No.: **29/683,960**

(22) Filed: **Mar. 18, 2019**

(30) **Foreign Application Priority Data**

Sep. 18, 2018 (EM) 005647575-0001

(51) **LOC (13) Cl.** **15-05**

(52) **U.S. Cl.**
USPC **D32/32**

(58) **Field of Classification Search**
USPC D32/23, 32, 33, 35, 45; D30/158
CPC A01K 13/002; A47L 9/0072; A47L 9/04;
A47L 9/0416; B05B 17/0684; E04H
4/1654

See application file for complete search history.

(56) **References Cited**

U.S. PATENT DOCUMENTS

24,222 A 5/1859 McBurney
 395,671 A 1/1889 Thayer
 428,023 A 5/1890 Schoff
 809,977 A 1/1906 O'Brien
 1,153,187 A 9/1915 Berry
 1,434,631 A 11/1922 Reynolds
 1,560,789 A 11/1925 Johnson et al.
 2,203,088 A 6/1940 Hansson
 2,249,463 A 7/1941 Dunbar
 2,416,418 A 2/1947 Taylor

FOREIGN PATENT DOCUMENTS

AT 383 264 6/1987
 DE 16 28 579 A 2/1971
 (Continued)

OTHER PUBLICATIONS

https://www.amazon.com/Penn-Plax-VacGroom-Grooming-Attachment/dp/B01ACBHMEI/ref=sr_1_2 (Year: 2020).*

(Continued)

Primary Examiner — Michelle E. Wilson
Assistant Examiner — Richard E Yenchesky
 (74) *Attorney, Agent, or Firm* — Nixon & Vanderhye P.C.

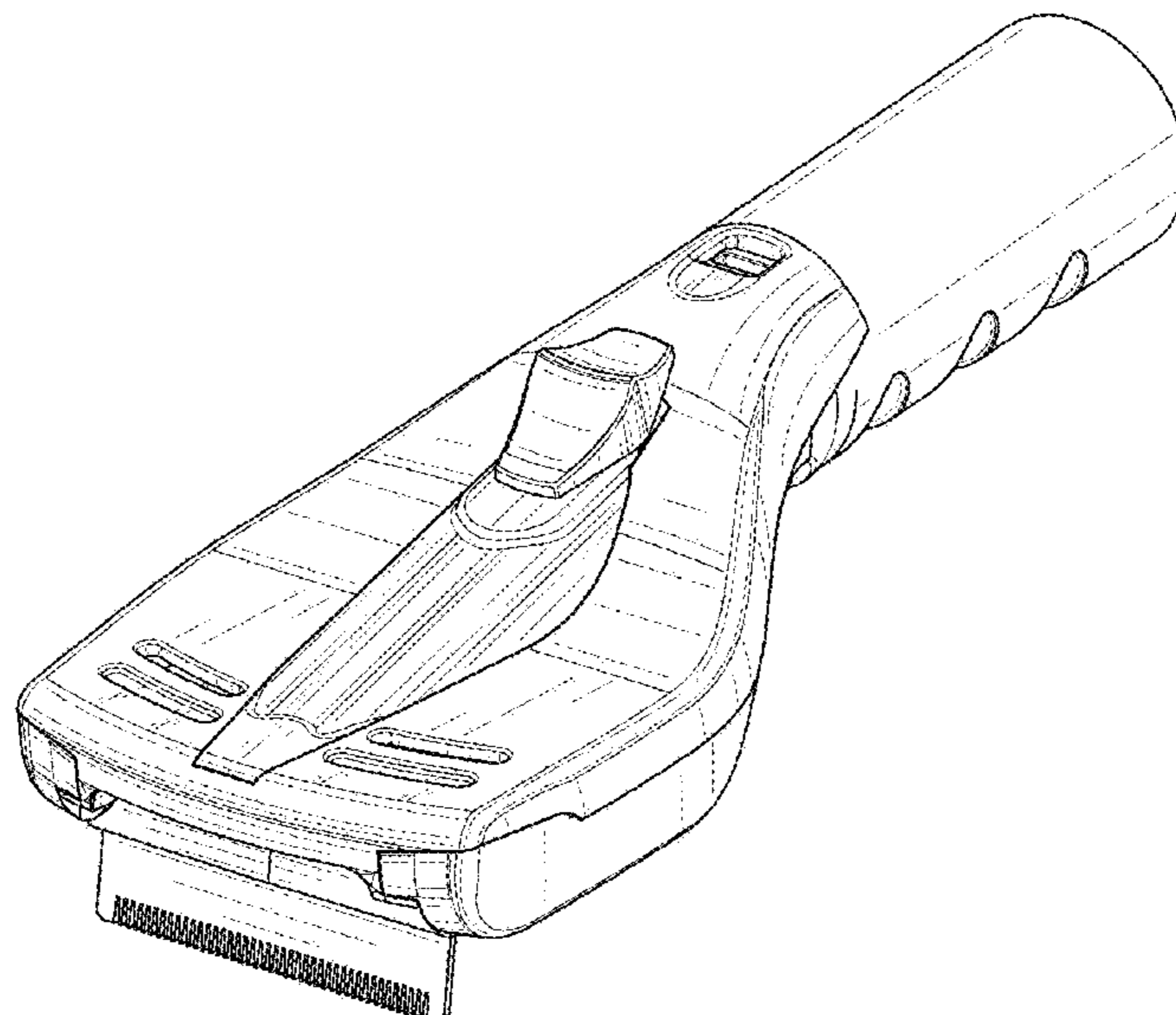
(57) **CLAIM**

The ornamental design for an accessory for vacuum cleaners, as shown and described.

DESCRIPTION

FIG. 1 is a front, right, top perspective view of an accessory for vacuum cleaners in accordance with my new design;
 FIG. 2 is a front elevation view thereof;
 FIG. 3 is a back elevation view thereof;
 FIG. 4 is a left side elevation view thereof.
 FIG. 5 is a right side elevation view thereof;
 FIG. 6 is a top plan view thereof; and,
 FIG. 7 is a bottom plan view thereof.
 The broken lines shown in the drawings depict a connector of the accessory for vacuum cleaners that forms no part of the claimed design.

1 Claim, 6 Drawing Sheets



(56)

References Cited

U.S. PATENT DOCUMENTS

4,319,379 A 3/1982 Carrigan et al.
 D264,139 S * 4/1982 Pearman, Jr. D32/33
 4,336,628 A 6/1982 Bradshaw et al.
 4,564,972 A 1/1986 Varin
 D290,418 S * 6/1987 Strohmeier D32/32
 D296,372 S * 6/1988 Toney D32/32
 4,777,696 A 10/1988 Hawley et al.
 D306,788 S * 3/1990 McAllister D32/32
 5,008,973 A 4/1991 Worwag
 5,069,569 A 12/1991 Lieser
 D333,539 S 2/1993 Kramer et al.
 5,249,333 A 10/1993 Worwag
 5,293,665 A 3/1994 Worwag
 5,416,948 A 5/1995 Worwag
 5,539,953 A 7/1996 Kurz
 5,635,675 A 6/1997 Houga
 D392,779 S * 3/1998 Fedorka D32/32
 D392,780 S 3/1998 Holsten et al.
 5,740,839 A 4/1998 Kuo et al.
 5,768,747 A * 6/1998 Smith A01K 13/002
 15/400
 5,826,300 A * 10/1998 Smith A01K 13/002
 15/402
 5,875,517 A 3/1999 Fust et al.
 D424,766 S 5/2000 Martin
 6,101,668 A 8/2000 Grey
 D456,967 S 5/2002 Santiago
 D457,696 S 5/2002 Worwag
 6,408,888 B1 6/2002 Baumer et al.
 D466,499 S 12/2002 Nakano
 6,519,810 B2 2/2003 Kim
 6,571,424 B2 6/2003 Roschi
 D484,287 S 12/2003 Murphy et al.
 D507,854 S 7/2005 Kim
 D518,259 S 3/2006 Wertz
 D522,197 S 5/2006 Dyson et al.
 7,069,620 B2 7/2006 Bagwell
 D543,669 S 5/2007 Ikeno et al.
 7,222,393 B2 5/2007 Kaffenberger et al.
 7,251,856 B2 8/2007 Kaffenberger et al.
 D556,963 S 12/2007 Houghton
 D596,362 S * 7/2009 Crevling, Jr. D32/33
 D599,065 S 8/2009 Roschi
 D605,821 S * 12/2009 Shaanan D32/35
 D613,912 S * 4/2010 Benacquisto D30/158
 7,757,345 B2 7/2010 Roschi et al.
 D621,110 S * 8/2010 Eden D32/32
 D621,565 S * 8/2010 Pierce D32/32
 D621,567 S * 8/2010 Crawley D32/33
 7,765,638 B2 8/2010 Pineschi et al.
 7,797,793 B2 9/2010 Roschi et al.
 7,798,177 B1 9/2010 Blair
 D649,725 S 11/2011 Fjellman
 D670,454 S * 11/2012 Sherk, Jr. D30/158
 D672,103 S 12/2012 Dyson
 D741,559 S 10/2015 Marscen
 D750,858 S * 3/2016 Aramli D32/32
 D767,224 S * 9/2016 Santiago D32/32
 D770,711 S 11/2016 Okada
 D775,443 S 12/2016 Kwoon
 D780,392 S * 2/2017 Mikula D32/32
 D787,766 S 5/2017 Nam
 D789,007 S 6/2017 Jang
 D793,638 S * 8/2017 LaBarbera D32/32
 D796,136 S 8/2017 Reynolds
 D806,964 S * 1/2018 Nam D32/23
 D807,603 S 1/2018 Roschi
 10,238,254 B2 3/2019 Roschi
 D869,111 S * 12/2019 Chavana, Jr. D32/32
 D869,112 S * 12/2019 Chavana, Jr. D32/32
 D873,516 S * 1/2020 Palladino D32/32
 D877,436 S * 3/2020 Ashton-Miller D32/45
 D900,420 S 10/2020 Roschi
 2001/0011404 A1 8/2001 Roschi
 2001/0037536 A1 11/2001 Kim

2002/0083552 A1 7/2002 Dilger et al.
 2004/0050441 A1 3/2004 Roschi
 2005/0132605 A1 6/2005 Jensen et al.
 2005/0262659 A1 12/2005 Roschi et al.
 2005/0262662 A1 12/2005 Roschi et al.
 2005/0268426 A1 * 12/2005 Lee A47L 9/04
 15/323
 2006/0000053 A1 1/2006 Lim et al.
 2006/0137134 A1 6/2006 Dilger
 2007/0124891 A1 6/2007 Lee
 2007/0143954 A1 6/2007 Graham
 2007/0169289 A1 * 7/2007 Hanvey E04H 4/1654
 15/1.7
 2010/0319159 A1 12/2010 Gell
 2011/0047744 A1 * 3/2011 Bozzelli A47L 9/0416
 15/339
 2012/0216361 A1 8/2012 Millington
 2014/0033473 A1 2/2014 McVey
 2016/0150927 A1 6/2016 Prosser
 2017/0280956 A1 10/2017 Roschi
 2017/0319026 A1 11/2017 Roschi
 2018/0333736 A1 * 11/2018 Krebs B05B 17/0684
 2019/0174981 A1 6/2019 Roschi
 2019/0174983 A1 6/2019 Roschi
 2020/0054180 A1 * 2/2020 Verhagen A47L 9/0072

FOREIGN PATENT DOCUMENTS

DE 84 36 154.9 4/1985
 DE 89 01 995 U1 8/1990
 DE 40 28 113 A 3/1992
 DE 41 05 012 10/1992
 DE 44 13 071 10/1995
 DE 296 08 726 U 7/1996
 DE 196 17 415 A 11/1997
 DE 19704796 C1 1/1998
 DE 19906137 C1 7/2000
 DE 199 12 651 9/2000
 DE 10307176.8 2/2003
 EP 0 235 614 9/1987
 EP 0 315 068 5/1989
 EP 0 552 652 A 7/1993
 EP 0 630 604 A 12/1994
 EP 0 737 437 A 10/1996
 EP 0 909 548 A 4/1999
 EP 1 031 312 8/2000
 EP 1116470 A1 7/2001
 EP 1210898 A1 6/2002
 EP 1 238 620 A 9/2002
 EP 1 310 202 5/2003
 EP 1 367 931 B1 8/2004
 EP 1 600 091 11/2005
 EP 1 600 091 A1 11/2005
 EP 1595485 A1 11/2005
 EP 1 964 501 9/2008
 EP 2 092 869 8/2009
 EP 2449934 A2 5/2012
 EP 2 944 242 11/2015
 EP 2 944 242 A1 11/2015
 EP 2 995 234 3/2016
 EP 3 047 775 7/2016
 EP 3 087 890 11/2016
 EP 3 207 848 8/2017
 FR 578087 3/1924
 FR 1140810 2/1956
 FR 2 483 766 A 12/1981
 GB 2 072 495 A 10/1981
 GB 220206 A 9/1988
 GB 2 471 918 1/2011
 GB 2 496 663 5/2013
 JP 3-149489 3/1991
 JP 08 322766 4/1997
 JP D1581451 7/2017
 WO 99/65376 12/1999
 WO WO 00/65978 11/2000
 WO WO 01/97673 12/2001
 WO 02/26097 4/2002
 WO 02/071911 9/2002
 WO WO 2005/096907 10/2005

(56)

References Cited

FOREIGN PATENT DOCUMENTS

OTHER PUBLICATIONS

EP Search Report complete May 2, 2005 in corresponding IT application No. IT MI20041075.

EP Search Report completed May 2, 2005 in corresponding IT application No. IT MI20041074.

International Search Report dated Sep. 25, 2006 in PCT Application PCT/EP2006/005634.

Written Opinion of the International Searching Authority dated Sep. 25, 2006 in PCT Application PCT/EP2006/005634.

English translation of EP 2449934A2 provided by EspaceNet.

English translation of DE 16704796C1 provided by EspaceNet.

European Standard EN 60312-1, Vacuum cleaners for household use—Part 1: Dry vacuum cleaners—Methods for measuring the performance (IEC 60312-1:2010, modified + A1:2011, modified) Feb. 2017.

Search Report for IT UA20163223 dated Nov. 23, 2016, 2 pages.

Japanese Notice of List of References dated May 15, 2018 in JP design application 2018-001065.

Design U.S. Appl. No. 29/746,547 filed Aug. 14, 2020, entitled “Head of a Vacuum Cleaner”.

EN 60312-1, European Standard, CENELEC, EP Committee for Electrotechnical Standardization, “Vacuum cleaners for household use—Part 1: Dry vacuum cleaners—Methods for measuring the performance” (IEC 60312-1:2010, modified + A1:2011, modified) © 2017 CENELEC.

* cited by examiner

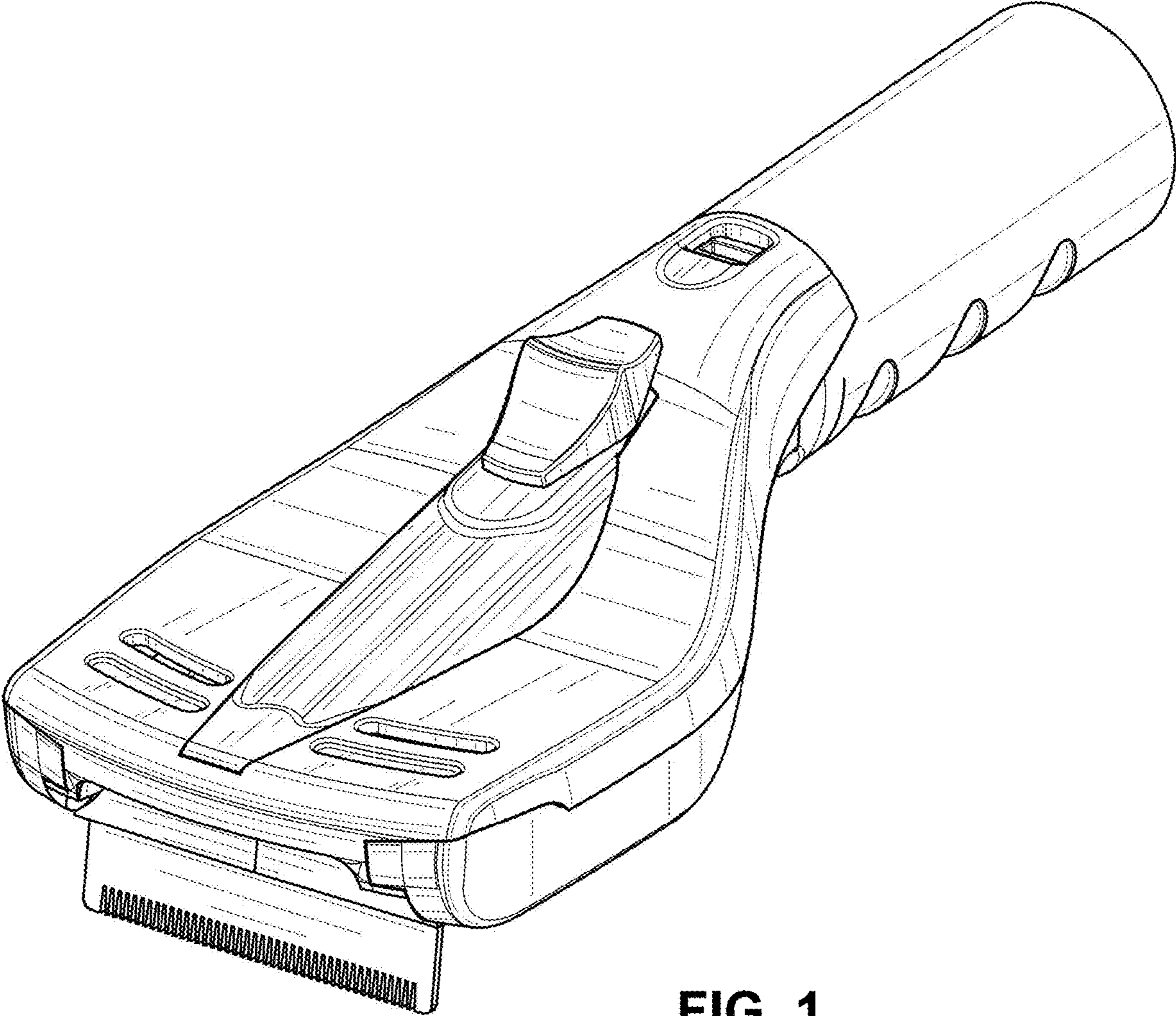


FIG. 1

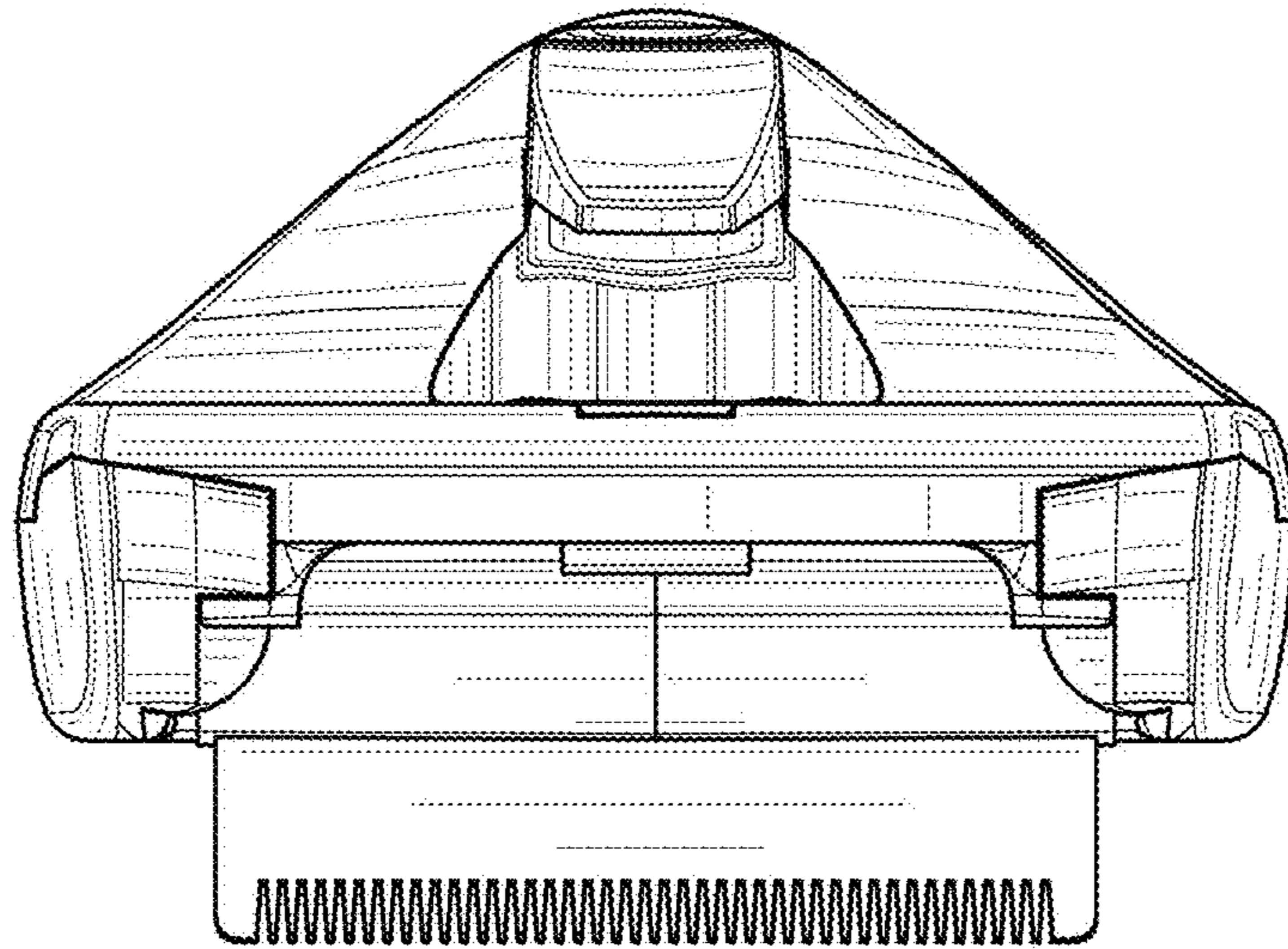


FIG. 2

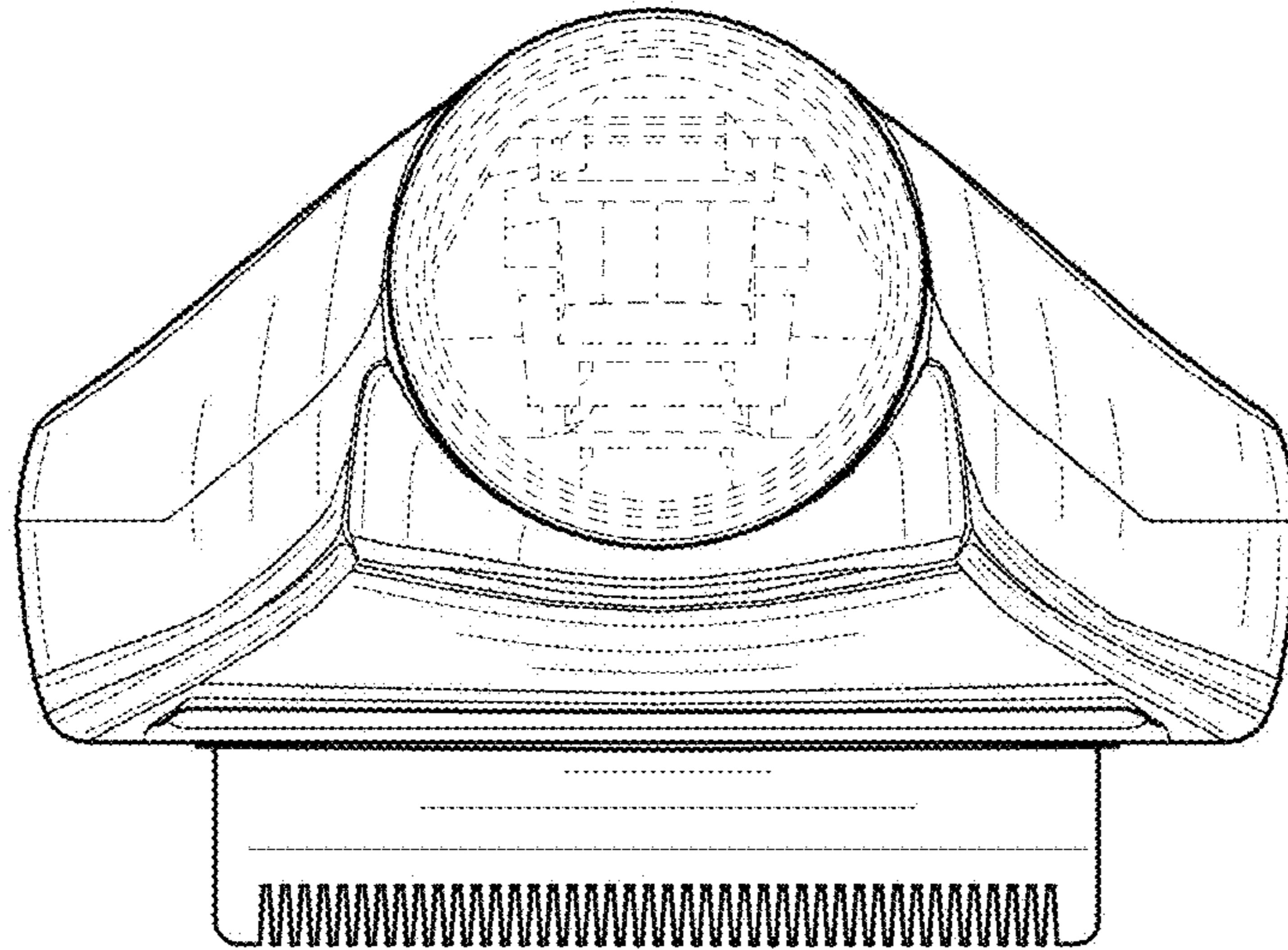


FIG. 3

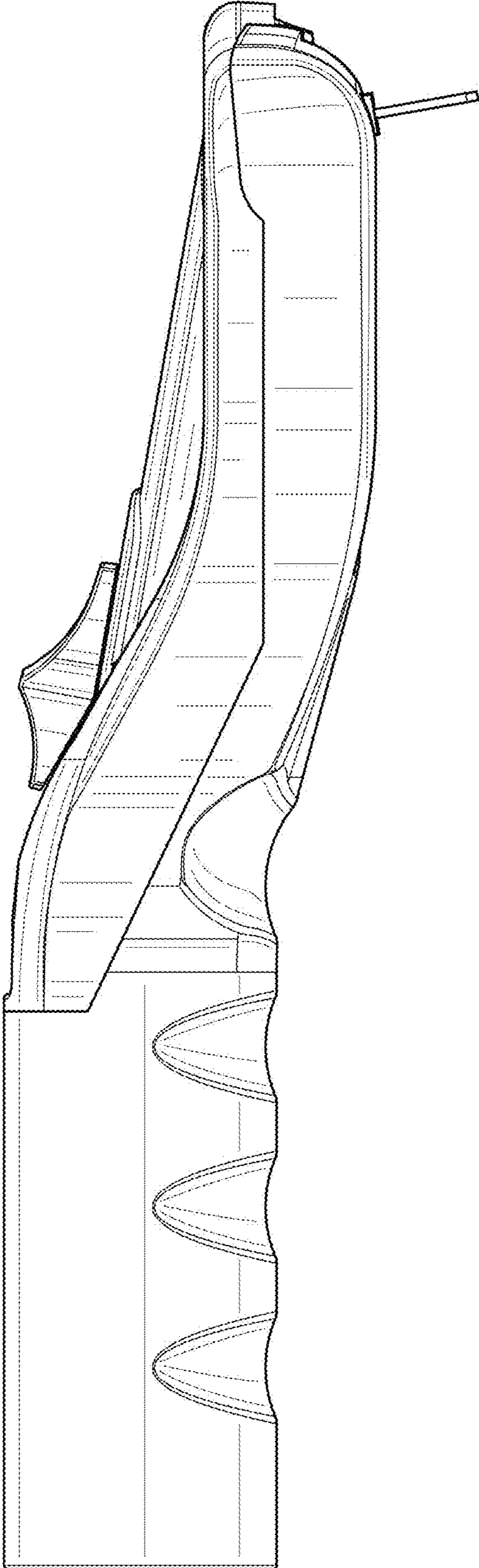


FIG. 4

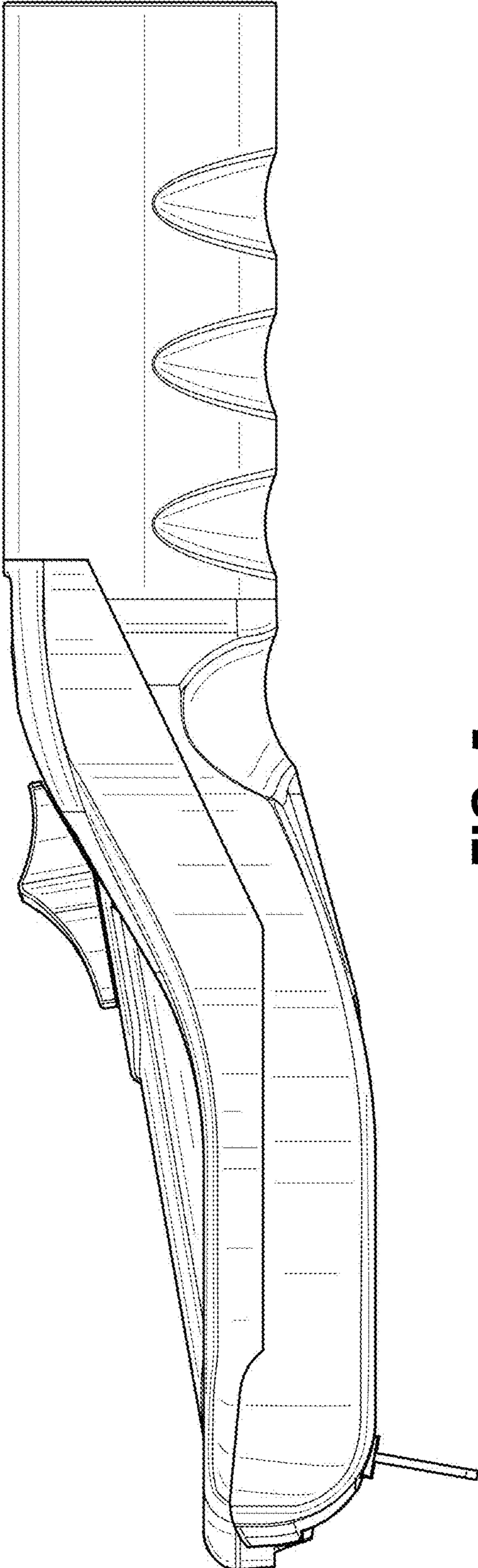


FIG. 5

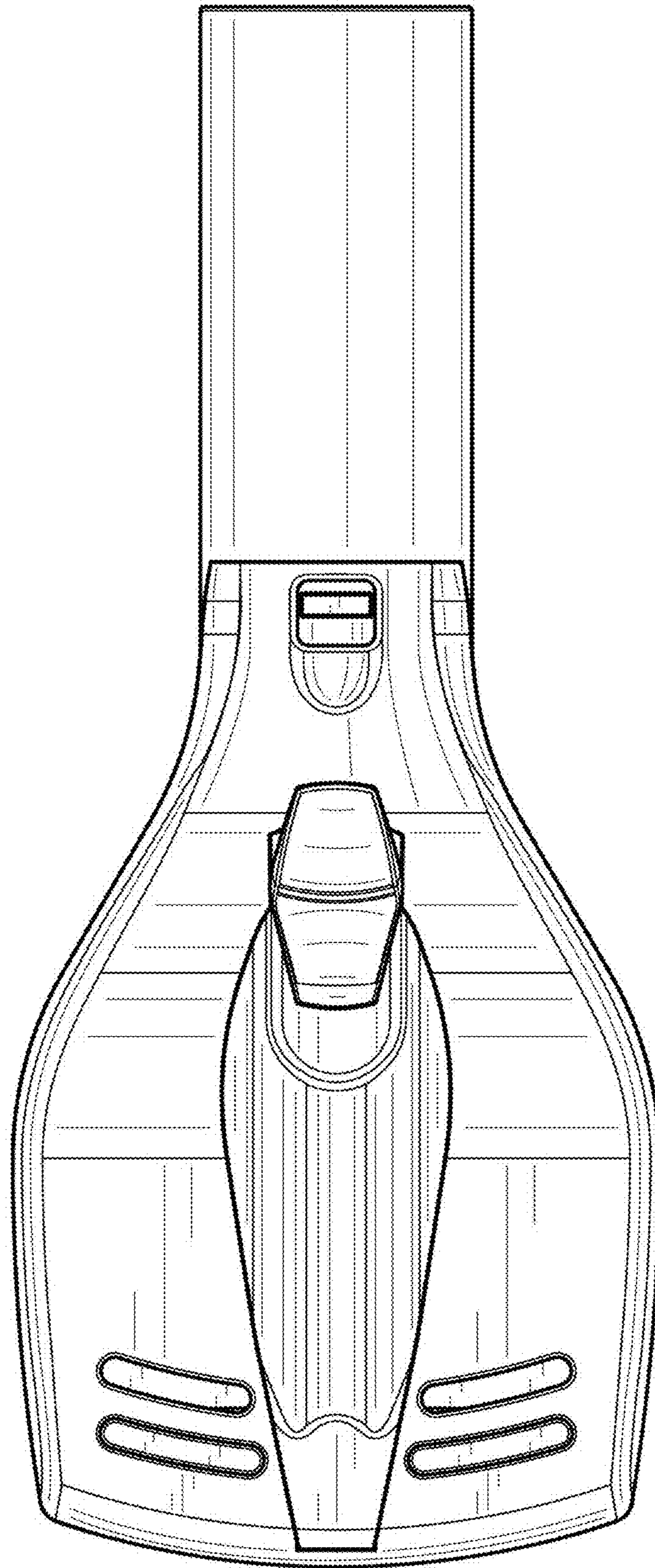


FIG. 6

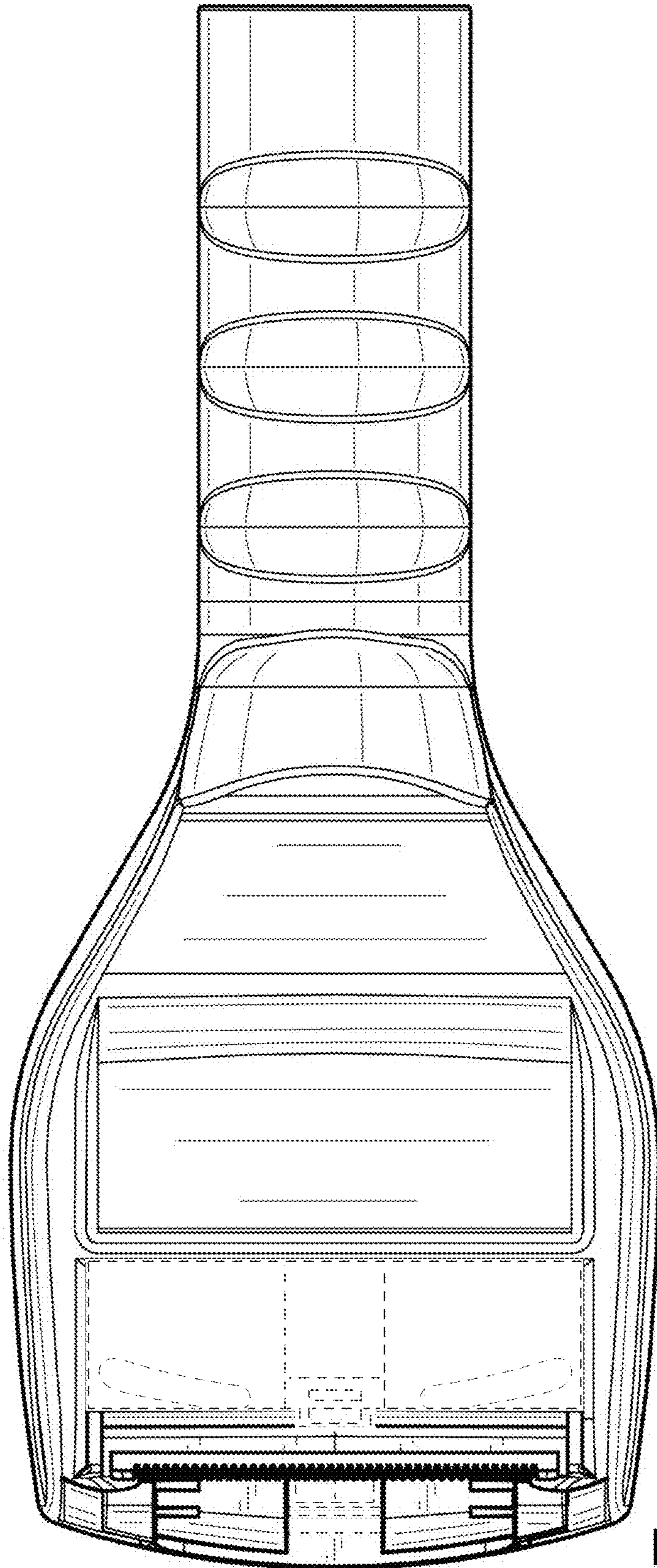


FIG. 7