



US00D922013S

(12) **United States Design Patent**
Supron et al.

(10) **Patent No.:** **US D922,013 S**

(45) **Date of Patent:** **** Jun. 8, 2021**

(54) **VACUUM BRUSH MOTOR ASSEMBLY**

(71) Applicant: **Maidbot, Inc.**, Austin, TX (US)

(72) Inventors: **Steven A. Supron**, Ithaca, NY (US);
David Moroniti, Austin, TX (US);
Steven Whitehead, Austin, TX (US);
Micah Estis Green, Austin, TX (US)

(73) Assignee: **Maidbot, Inc.**, Austin, TX (US)

(**) Term: **15 Years**

(21) Appl. No.: **29/645,712**

(22) Filed: **Apr. 27, 2018**

(51) **LOC (13) Cl.** **15-05**

(52) **U.S. Cl.**
USPC **D32/31**

(58) **Field of Classification Search**
USPC D32/15, 17, 18, 19, 21, 25, 31, 32, 33
CPC A47L 11/40; A47L 9/04; A47L 9/0411;
A47L 9/0455; A47L 9/0477; A47L 5/30;
A47L 5/34; A47L 9/22; A47L 11/202;
A47L 11/204; A47L 11/205; A47L
11/4069; A47L 5/10; A46B 13/02; F41A
21/34

See application file for complete search history.

(56) **References Cited**

U.S. PATENT DOCUMENTS

| | | | |
|----------------|---------|----------------|------------------------|
| D307,655 S | 5/1990 | Hinklin et al. | |
| 5,433,133 A * | 7/1995 | La France | F41A 21/325 89/14.2 |
| 6,692,085 B1 | 2/2004 | Threadgill | |
| D590,113 S | 4/2009 | Benacquisto | |
| D610,221 S * | 2/2010 | Brittingham | D22/108 |
| 7,905,170 B1 * | 3/2011 | Brittingham | F41A 21/34 89/14.2 |
| 8,061,260 B2 * | 11/2011 | Kenney | F41A 5/26 89/193 |
| 8,118,241 B2 | 2/2012 | Gardner et al. | |

| | | | |
|----------------|---------|---------|-----------------------|
| 8,240,002 B2 * | 8/2012 | Haan | A47L 9/0686 15/387 |
| 8,490,535 B1 * | 7/2013 | Moore | F41A 21/34 89/14.2 |
| D693,896 S * | 11/2013 | Dueck | D22/108 |
| 8,769,852 B2 * | 7/2014 | Coleman | F41A 21/36 42/1.06 |
| 8,800,107 B2 * | 8/2014 | Blouin | A47L 9/0427 15/392 |
| 8,950,313 B2 * | 2/2015 | Kenney | F41A 5/28 89/193 |
| D738,982 S * | 9/2015 | Silvers | D22/108 |
| 9,140,506 B2 * | 9/2015 | Gomez | F41A 5/18 |
| 9,404,704 B2 * | 8/2016 | Packard | F41A 21/34 |

(Continued)

OTHER PUBLICATIONS

United States Office Action, U.S. Appl. No. 29/645,707, filed Sep. 3, 2020, eight pages.

(Continued)

Primary Examiner — Kimberly Barnes

(74) *Attorney, Agent, or Firm* — Fenwick & West LLP

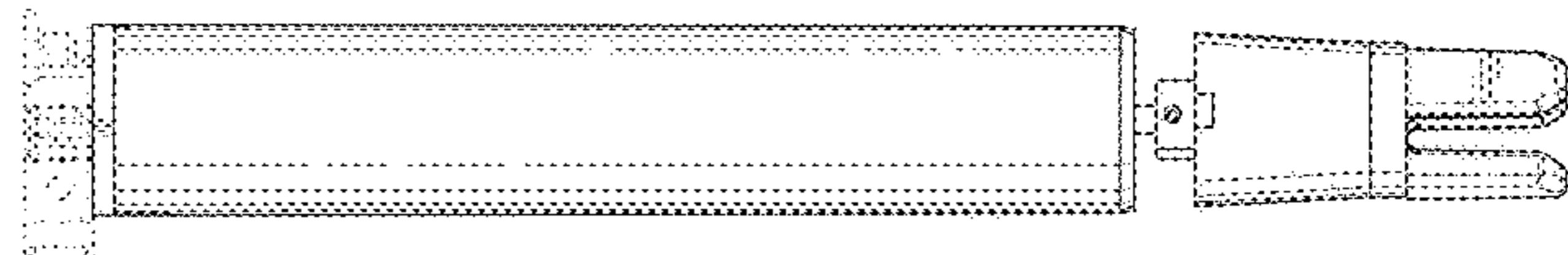
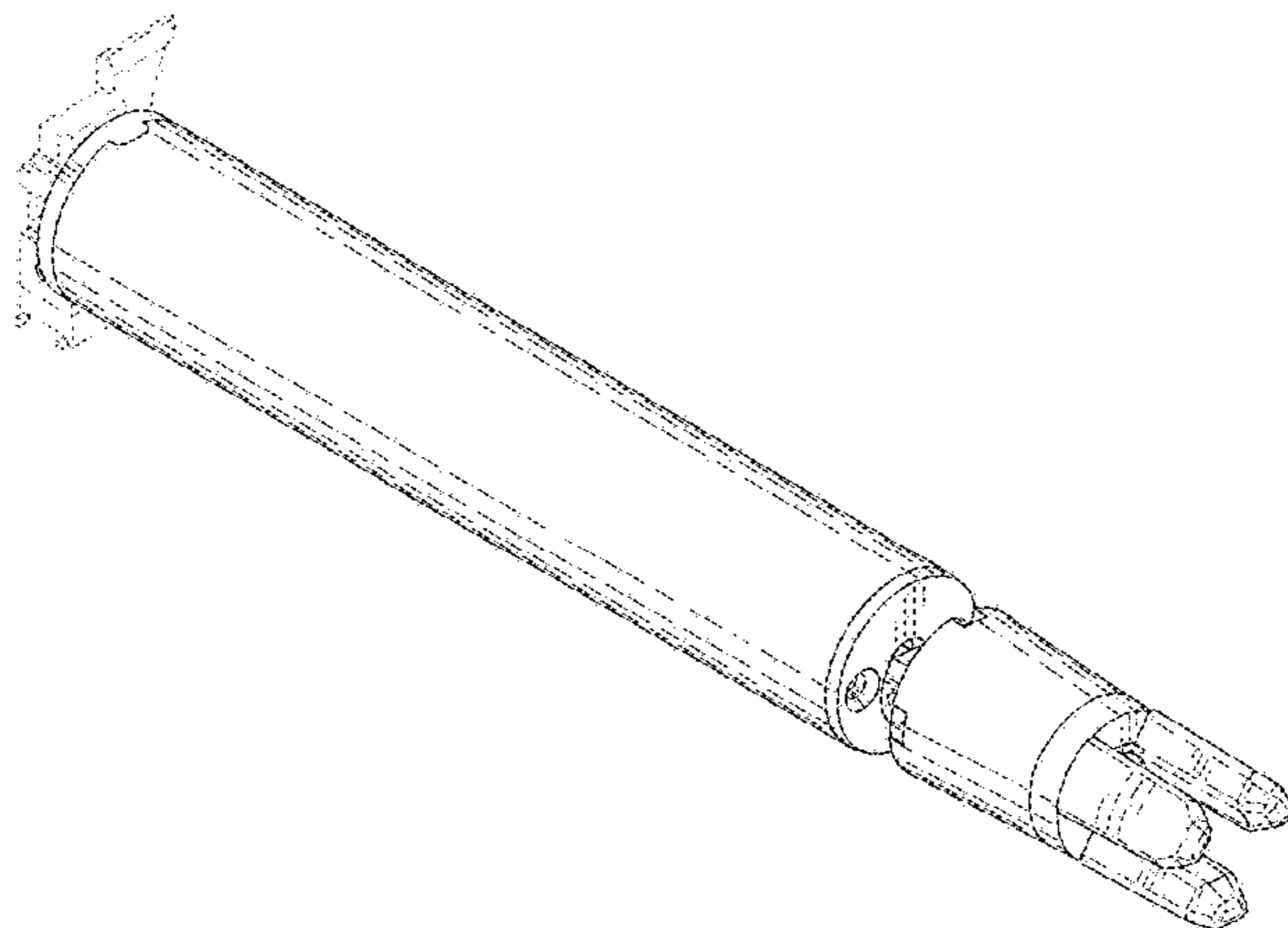
(57) **CLAIM**

The ornamental design for a vacuum brush motor assembly, as shown and described.

DESCRIPTION

FIG. 1 is a front, top, and left side perspective view of a vacuum brush motor assembly showing our new design; FIG. 2 is a front elevational view thereof; FIG. 3 is a rear elevational view thereof; FIG. 4 is a left side elevational view thereof; FIG. 5 is a right side elevational view thereof; FIG. 6 is a top plan view thereof; and, FIG. 7 is a bottom plan view thereof. The broken lines depict portions of the vacuum brush motor assembly that form no part of the claimed design.

1 Claim, 7 Drawing Sheets



(56)

References Cited

U.S. PATENT DOCUMENTS

9,464,857 B2 * 10/2016 Lessard F41A 21/34
10,119,779 B1 * 11/2018 Miele F41A 21/30
10,209,022 B1 * 2/2019 Oglesby F41A 21/34
D870,401 S * 12/2019 Supron D32/21
10,549,577 B2 * 2/2020 Supron F16B 17/00
10,655,926 B2 * 5/2020 Young F41A 21/325
2015/0377577 A1 * 12/2015 Pappas F41A 21/34
89/14.2
2019/0090705 A1 * 3/2019 Thorne A47L 9/0488
2019/0117032 A1 * 4/2019 Supron A47L 11/40
2019/0126675 A1 5/2019 Zhang et al.
2020/0079151 A1 3/2020 Supron et al.

OTHER PUBLICATIONS

youtube.com, "Robot Maid for Cleaner Floors," Mar. 22, 2017, one page [Online] [Retrieved on Aug. 26, 2020] Retrieved from the Internet <URL: <https://www.youtube.com/watch?v=gyktHss8qmU>>.

* cited by examiner

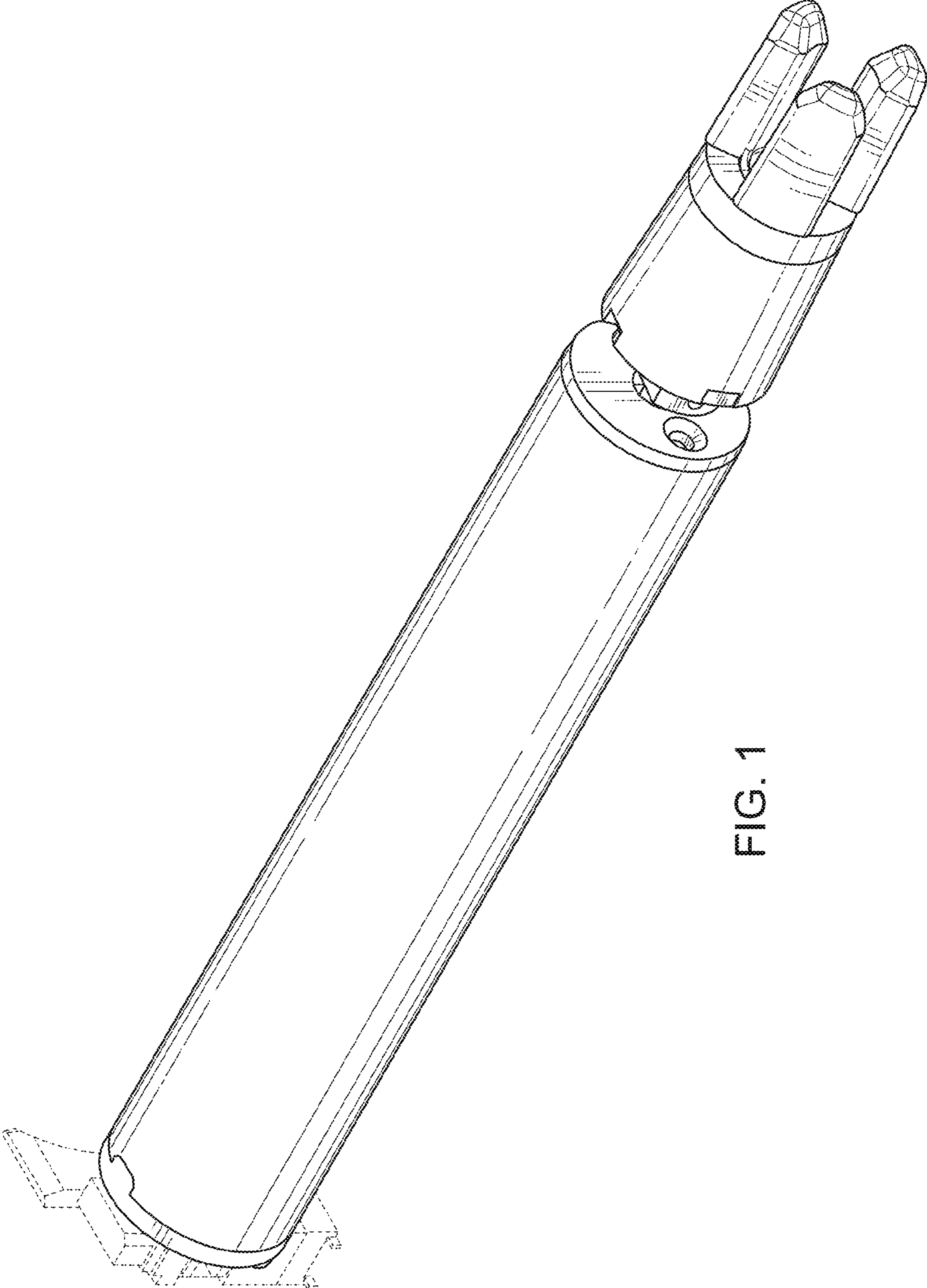


FIG. 1

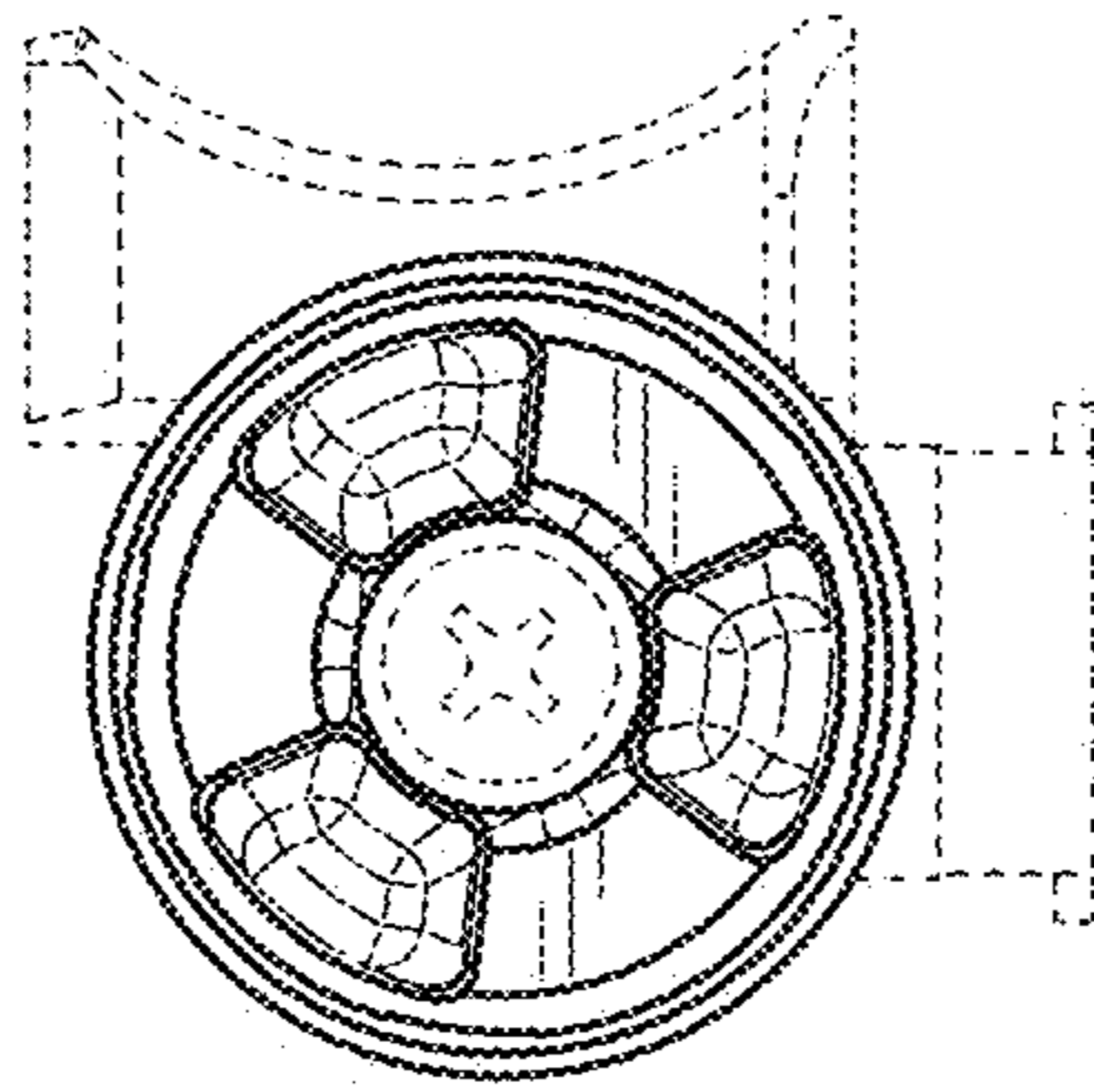


FIG. 2

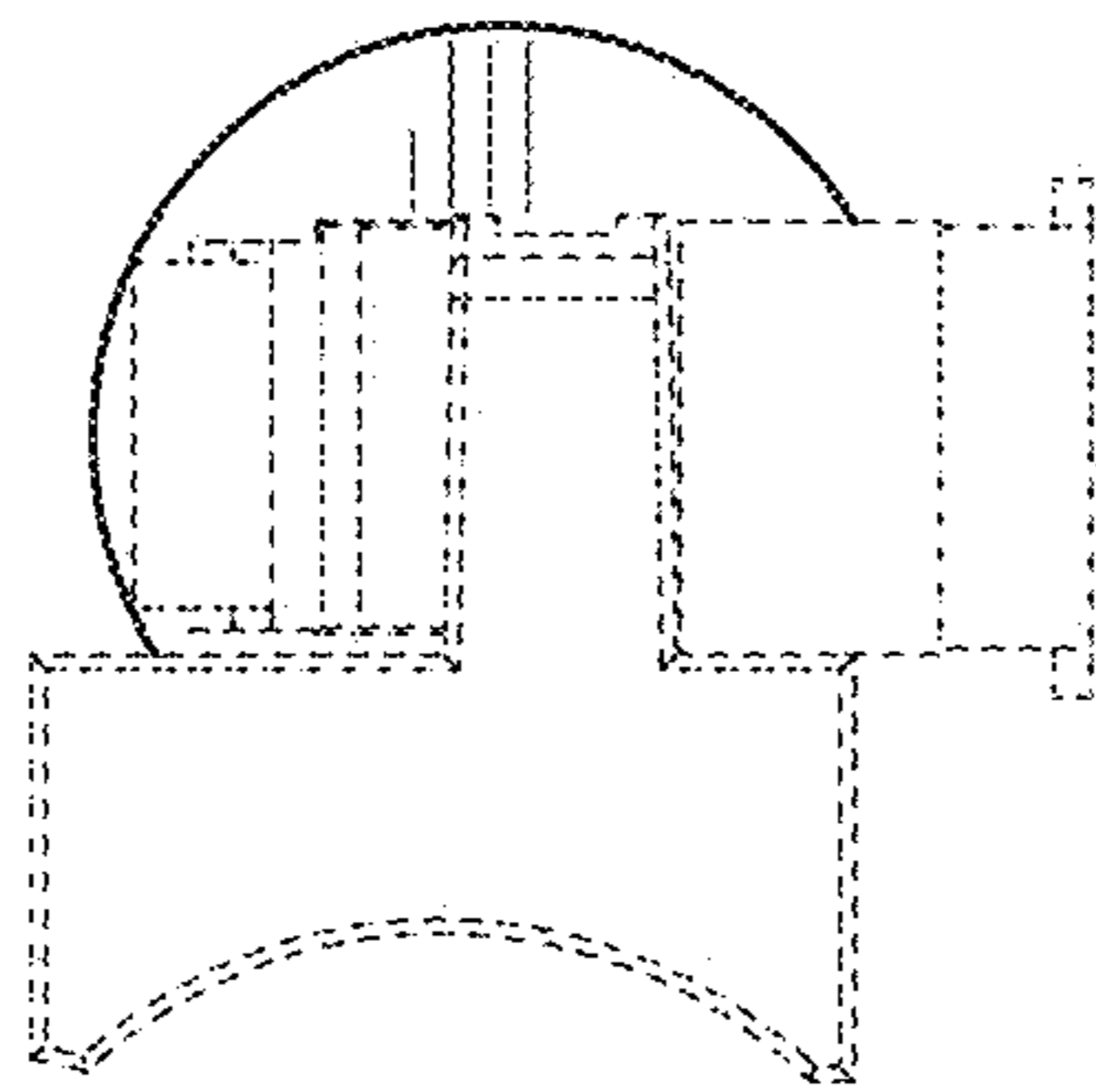


FIG. 3

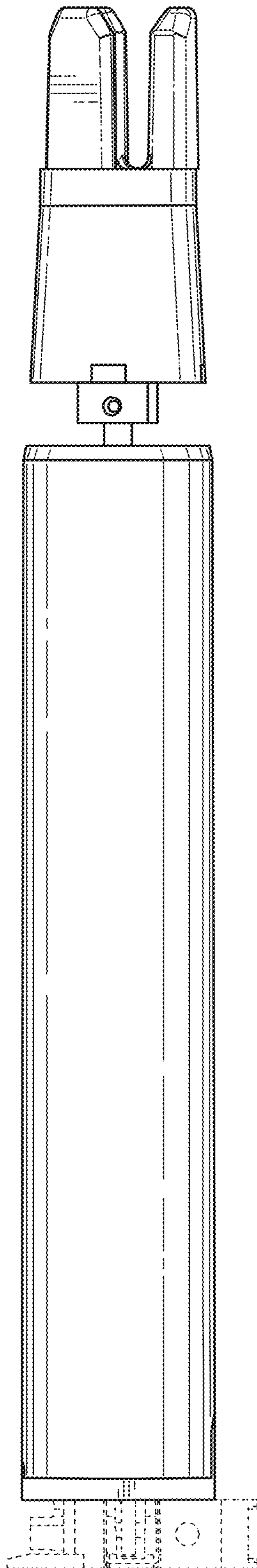


FIG. 4

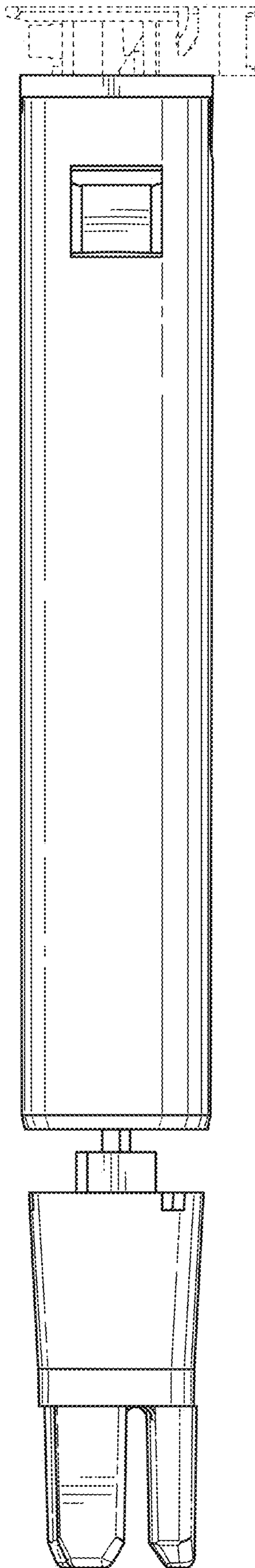


FIG. 5

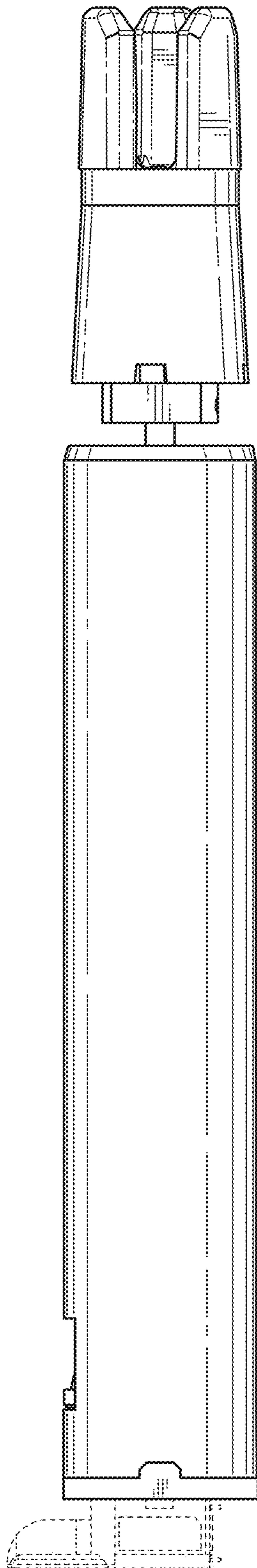


FIG. 6

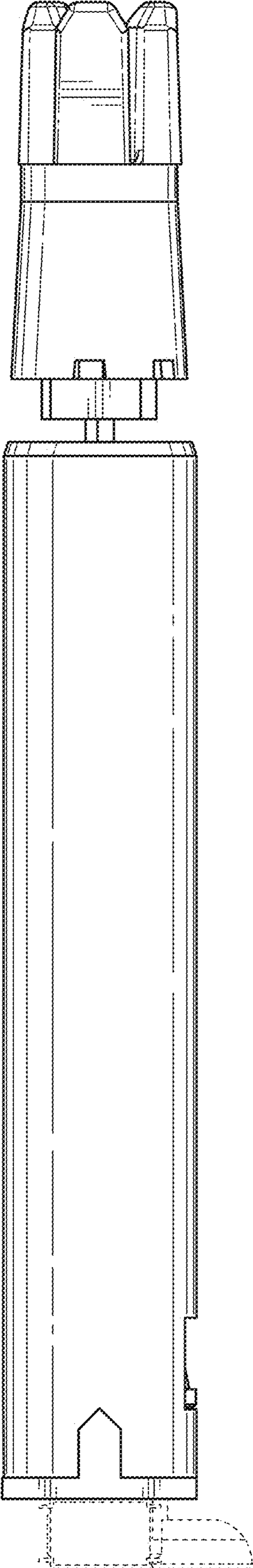


FIG. 7