



US00D922012S

(12) **United States Design Patent**  
**Supron et al.**

(10) **Patent No.:** **US D922,012 S**

(45) **Date of Patent:** **\*\* Jun. 8, 2021**

- (54) **WHEEL MOTOR ASSEMBLY**
- (71) Applicant: **Maidbot, Inc.**, Austin, TX (US)
- (72) Inventors: **Steven A. Supron**, Ithaca, NY (US);  
**David Moroniti**, Austin, TX (US);  
**Steven Whitehead**, Austin, TX (US);  
**Micah Estis Green**, Austin, TX (US)
- (73) Assignee: **Maidbot, Inc.**, Austin, TX (US)
- (\*\*) Term: **15 Years**
- (21) Appl. No.: **29/645,707**
- (22) Filed: **Apr. 27, 2018**
- (51) **LOC (13) Cl.** ..... **15-05**
- (52) **U.S. Cl.**  
USPC ..... **D32/31**
- (58) **Field of Classification Search**  
USPC ..... D32/15, 17, 18, 19, 21, 25, 31, 32, 33  
CPC ..... A47L 9/009; A47L 2201/04; A47L 11/24;  
A47L 11/40; B60B 7/066; B60B 7/105;  
B60B 19/12; B60B 27/026; B60B 27/065;  
B60C 17/041  
See application file for complete search history.

10,549,577	B2 *	2/2020	Supron	.....	F16B 17/00
2019/0090705	A1	3/2019	Thorne et al.		
2019/0117032	A1 *	4/2019	Supron	.....	A47L 11/40
2019/0126675	A1 *	5/2019	Zhang	.....	B60B 19/003
2020/0079151	A1 *	3/2020	Supron	.....	B60B 27/065

**OTHER PUBLICATIONS**

Robot maid for cleaner floors (on-line), dated Mar. 22, 2017. Retrieved from Internet Aug. 26, 2020, URL: <https://www.youtube.com/watch?v=gyktHs8qmU> (1 page) (Year: 2017).\*  
United States Office Action, U.S. Appl. No. 29/645,712, filed Sep. 3, 2020, eight pages.

\* cited by examiner

*Primary Examiner* — Kimberly Barnes

(74) *Attorney, Agent, or Firm* — Fenwick & West LLP

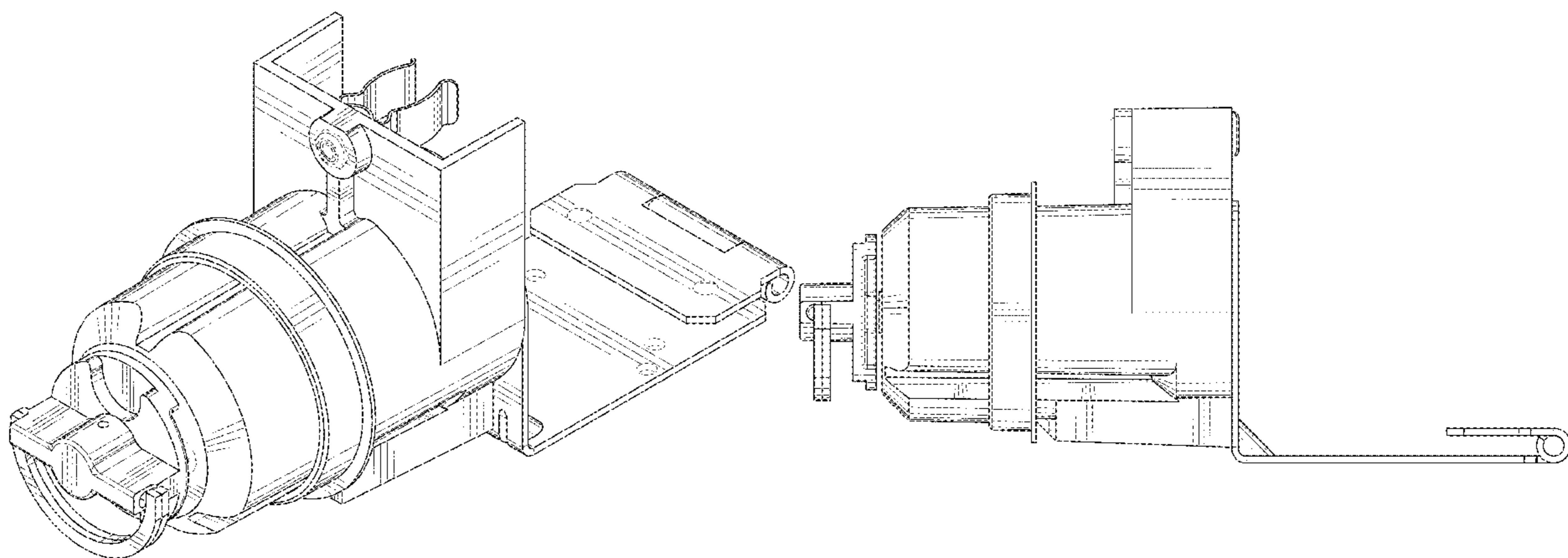
(57) **CLAIM**

The ornamental design for a wheel motor assembly, as shown and described.

**DESCRIPTION**

FIG. 1 is a front, top, and right side perspective view of a wheel motor assembly showing our new design; FIG. 2 is a front elevational view thereof; FIG. 3 is a rear elevational view thereof; FIG. 4 is a left side elevational view thereof; FIG. 5 is a right side elevational view thereof; FIG. 6 is a top plan view thereof; and, FIG. 7 is a bottom plan view thereof. The broken lines depict portions of the wheel motor assembly that form no part of the claimed design.

**1 Claim, 7 Drawing Sheets**



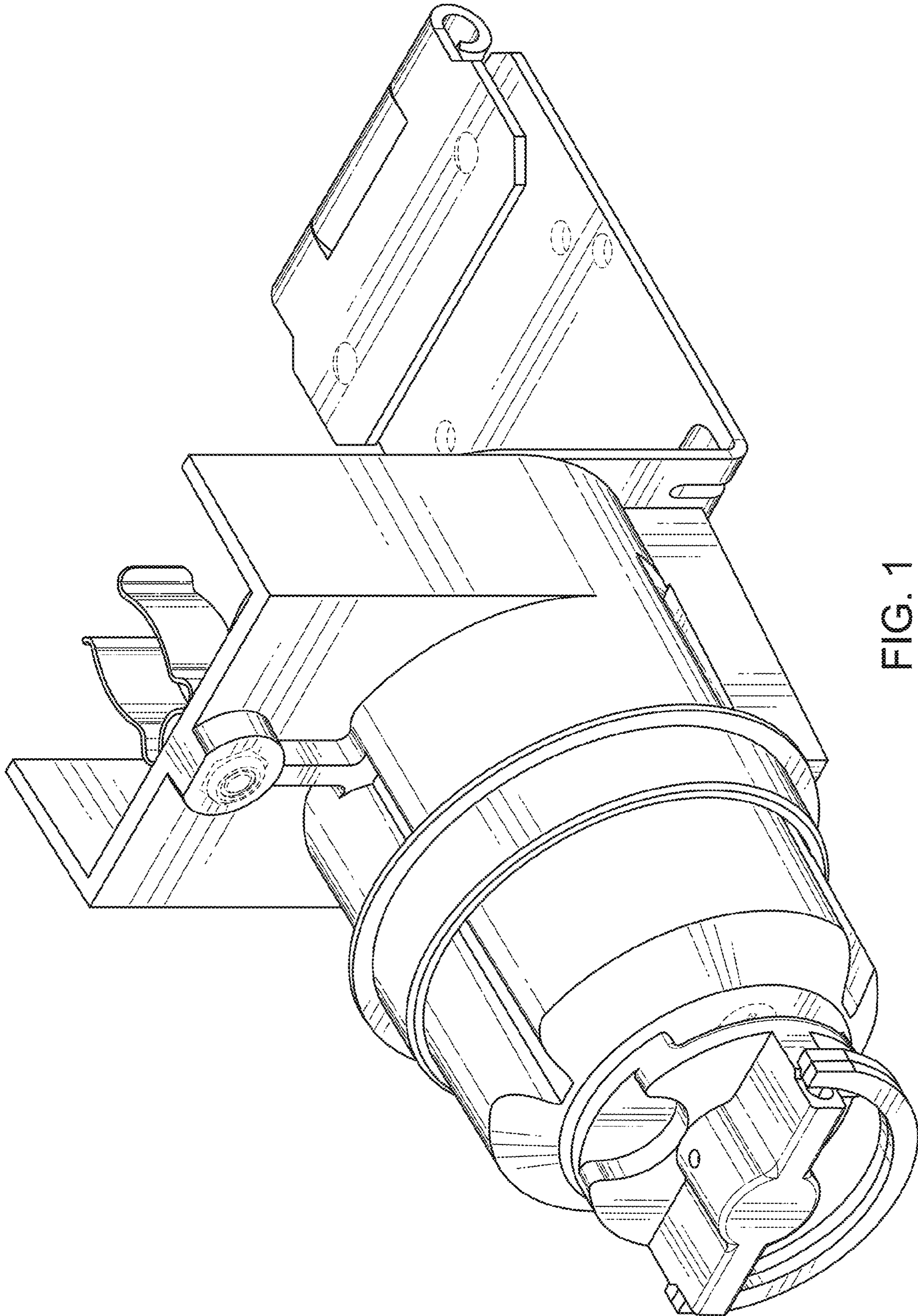


FIG. 1

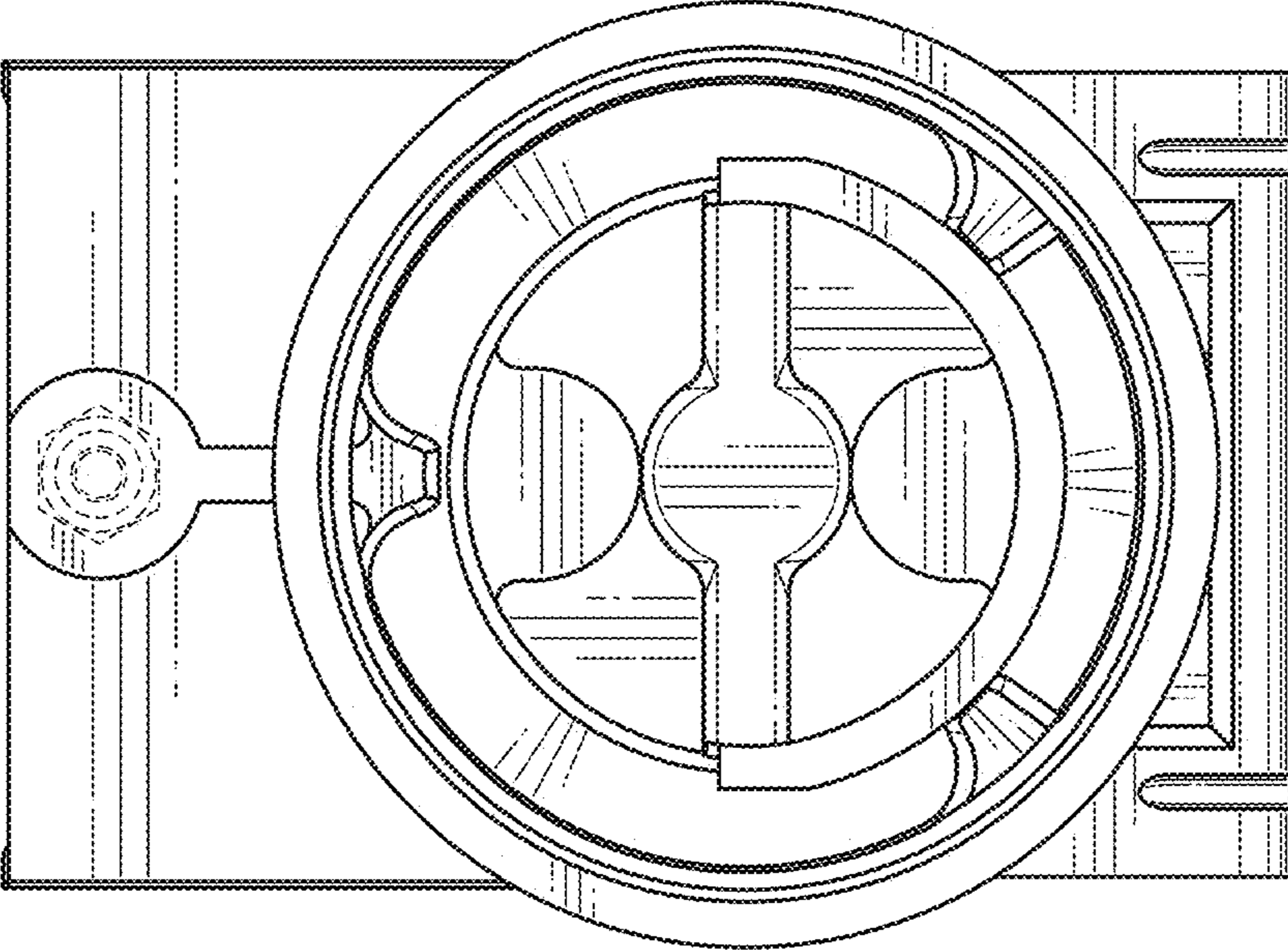


FIG. 2

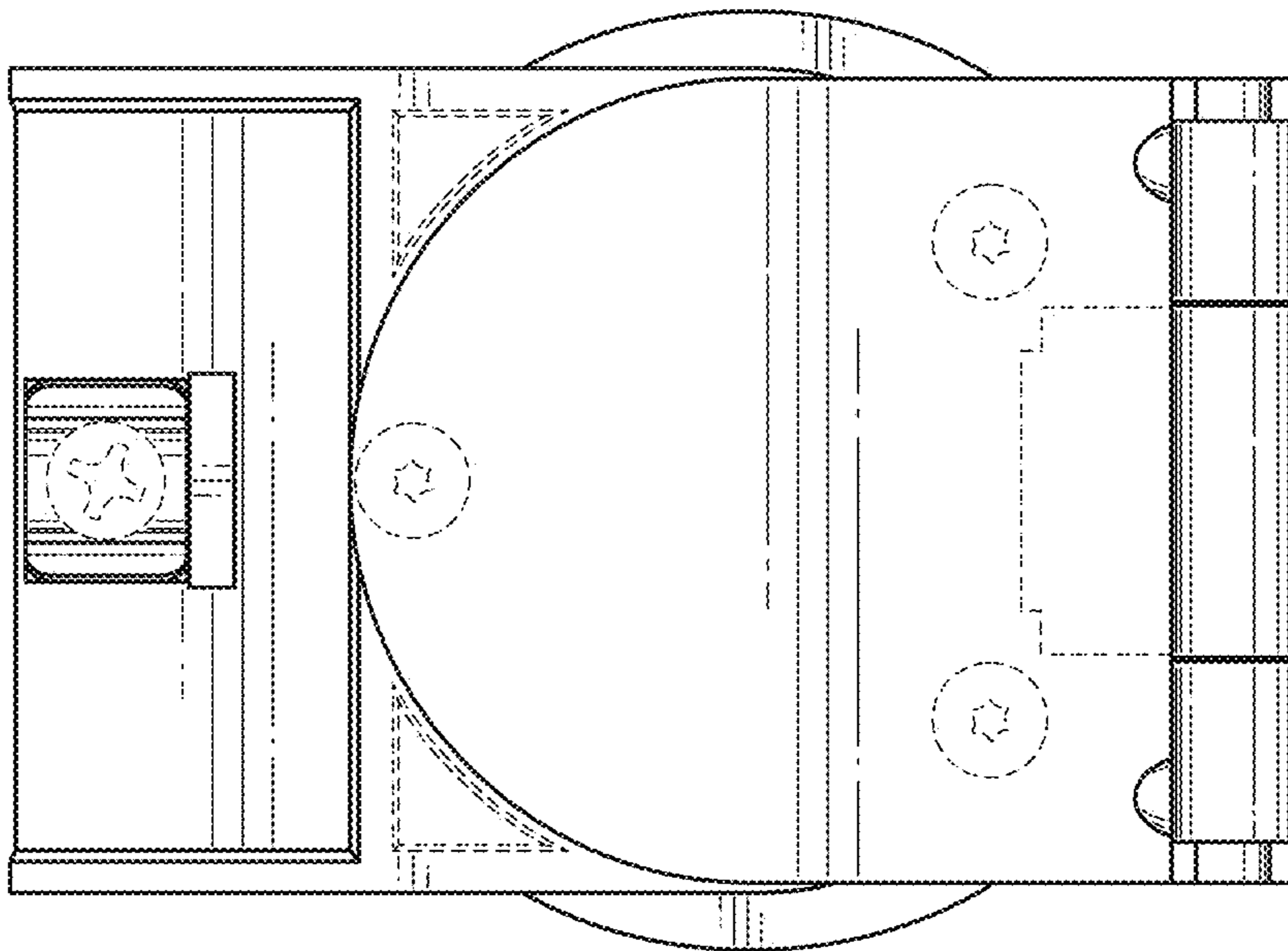


FIG. 3

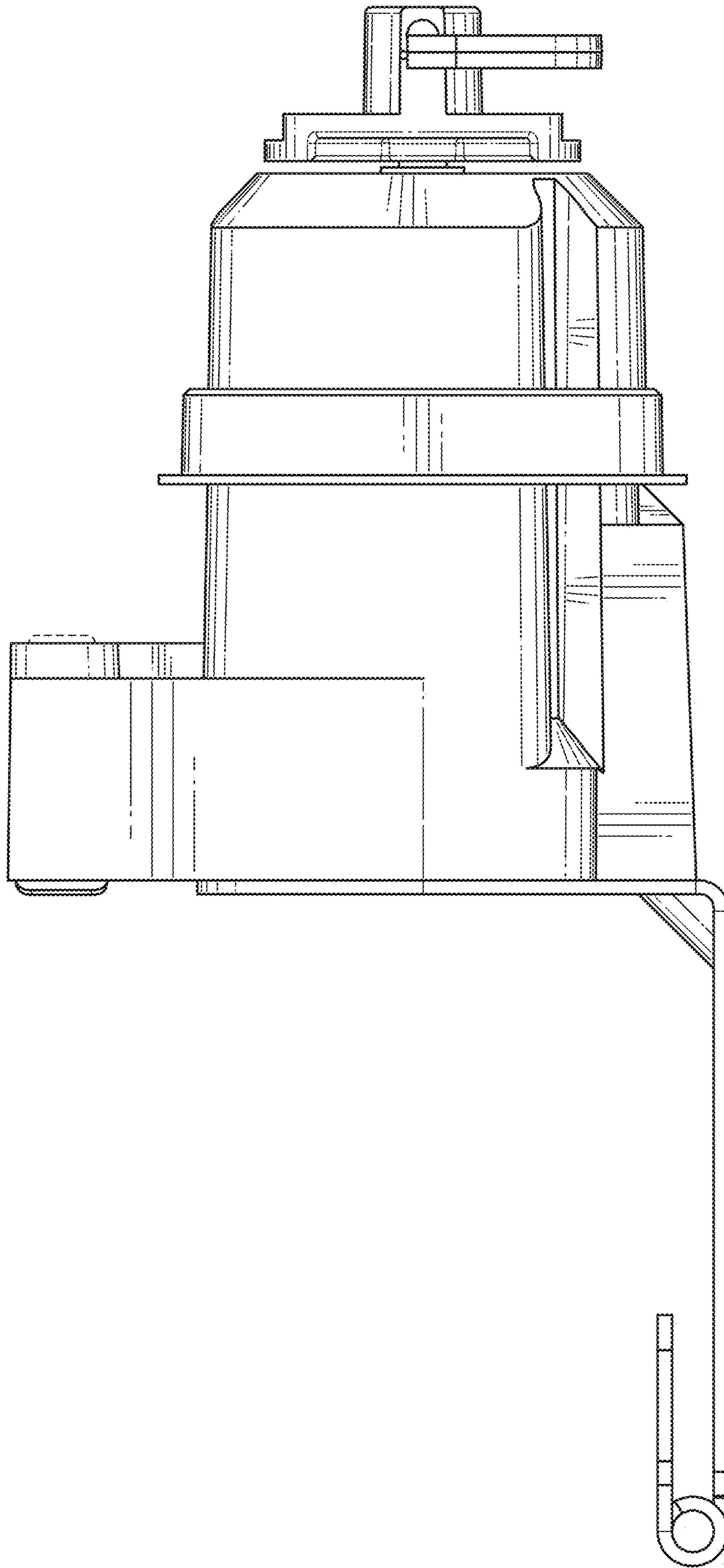


FIG. 4

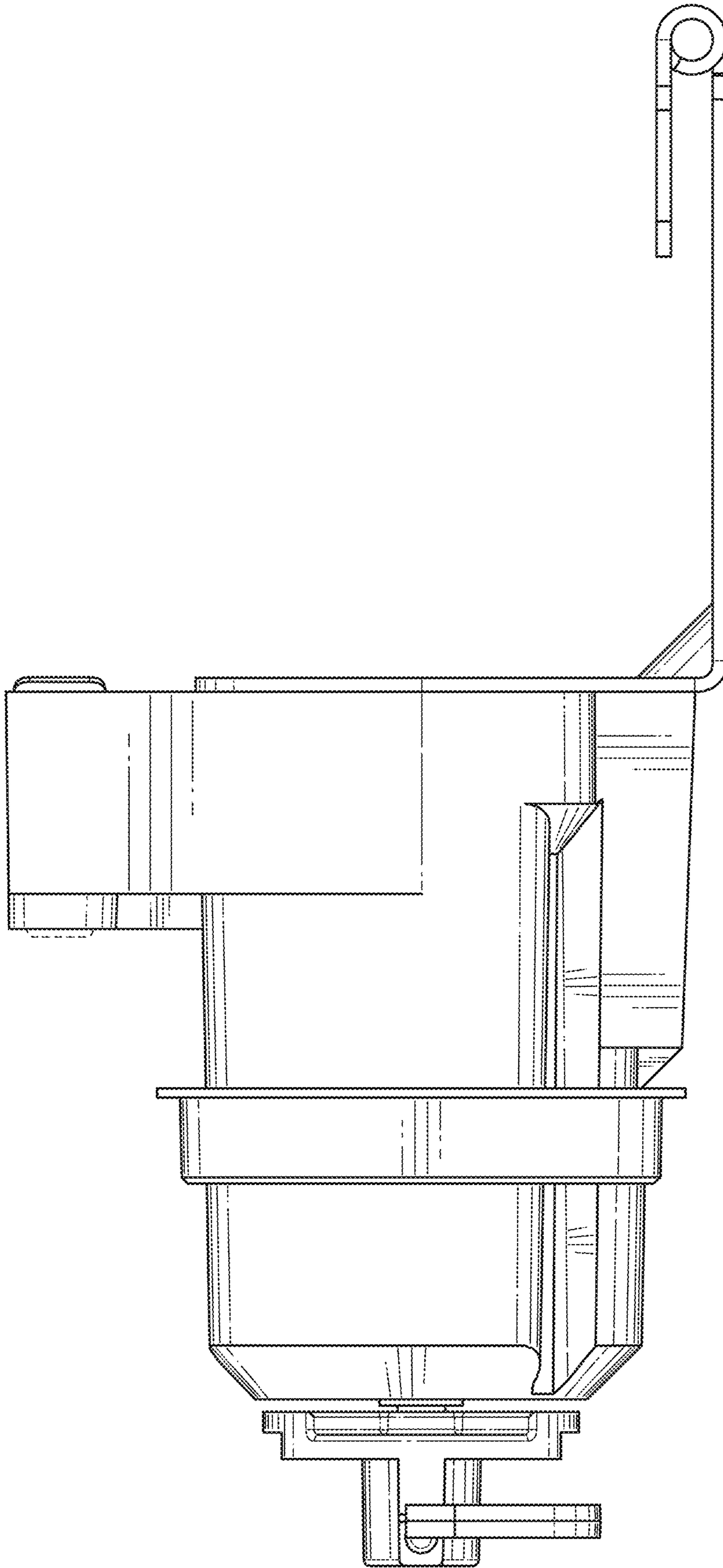


FIG. 5

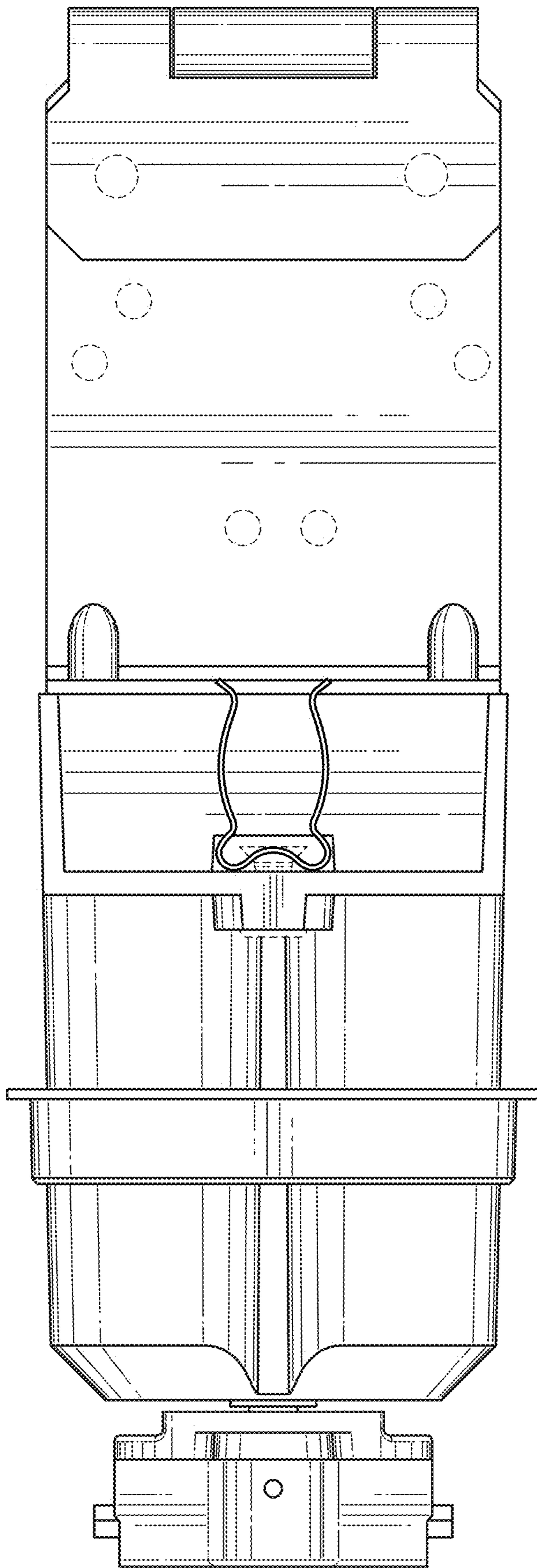


FIG. 6

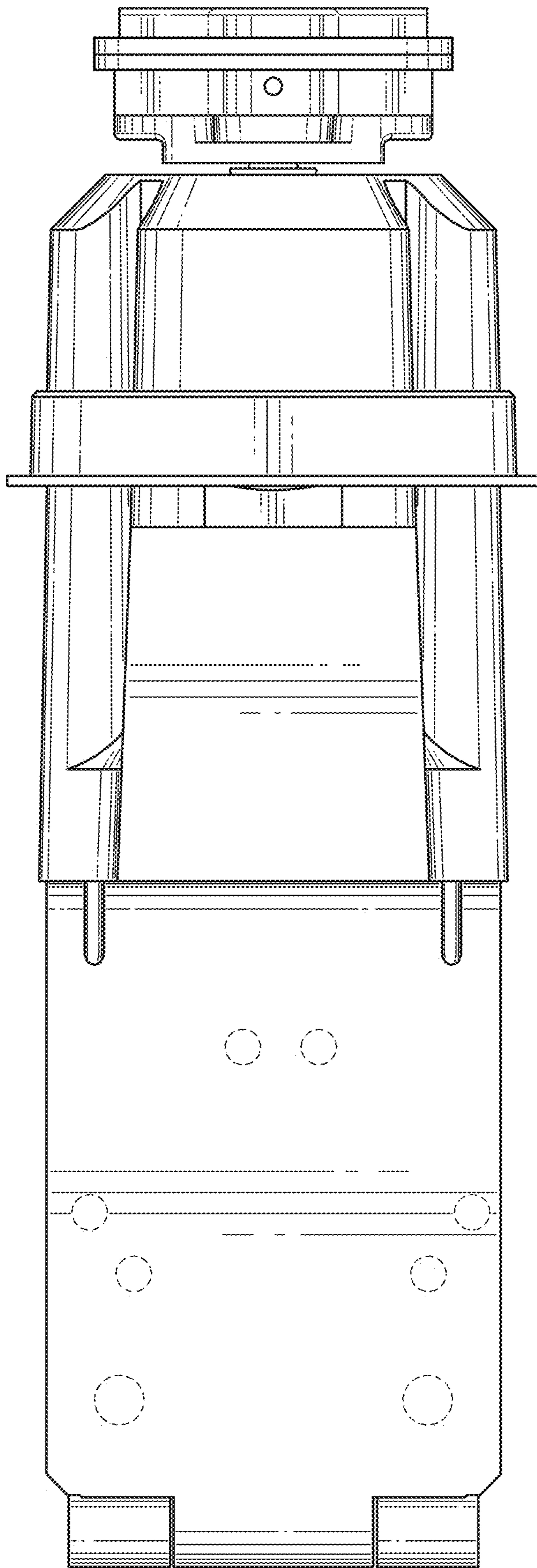


FIG. 7