



US00D922011S

(12) **United States Design Patent**
Ren et al.

(10) **Patent No.:** **US D922,011 S**

(45) **Date of Patent:** **** Jun. 8, 2021**

(54) **ROBOTIC CLEANER**

(71) Applicant: **Anker Innovations Technology Co., Ltd.**, Changsha (CN)

(72) Inventors: **Chao Ren**, Changsha (CN); **Fangyuan Jiang**, Changsha (CN); **Sangmin Yu**, Changsha (CN)

(73) Assignee: **Anker Innovations Technology Co. Ltd.**, Changsha (CN)

(**) Term: **15 Years**

(21) Appl. No.: **29/731,024**

(22) Filed: **Apr. 10, 2020**

(30) **Foreign Application Priority Data**

Oct. 15, 2019 (CN) 201930559712.0

(51) **LOC (13) Cl.** **15-05**

(52) **U.S. Cl.**
USPC **D32/21**

(58) **Field of Classification Search**
USPC D32/21, 31; D21/526, 578; D8/70, 310, D8/330; D10/37, 38, 50, 106.2, 106.5; D13/108, 109; D14/218, 248, 341, 344; D23/254

See application file for complete search history.

(56) **References Cited**

U.S. PATENT DOCUMENTS

D548,902 S *	8/2007	Chun	D32/21
D593,265 S *	5/2009	Carr	D32/21
D610,983 S *	3/2010	Wai	D13/108
D621,547 S *	8/2010	Wirgler	D28/82
D622,003 S *	8/2010	Naughton	D28/82
D661,439 S *	6/2012	Lee	D32/21
D661,440 S *	6/2012	Lee	D32/21
D665,547 S *	8/2012	Nam	D32/21
D690,478 S *	9/2013	Li	D32/21

D722,259 S *	2/2015	Conner	D8/300
D726,377 S *	4/2015	Koo	D28/82
D726,672 S *	4/2015	Olodort	D14/138 G
D770,930 S *	11/2016	Li	D10/106.2

(Continued)

FOREIGN PATENT DOCUMENTS

CN	303428934	*	11/2015
CN	304184717	*	6/2017

(Continued)

OTHER PUBLICATIONS

Mi Robot Vacuum, announced in YouTube on Jan. 31, 2018 [online], [site visited Oct. 19, 2020], Available from the internet URL: <https://www.youtube.com/watch?v=HlqzWMq849c> (Year: 2018).*

(Continued)

Primary Examiner — Dana K Weiland
Assistant Examiner — Jennylou M Binas

(74) *Attorney, Agent, or Firm* — Banner & Witcoff, Ltd.

(57) **CLAIM**

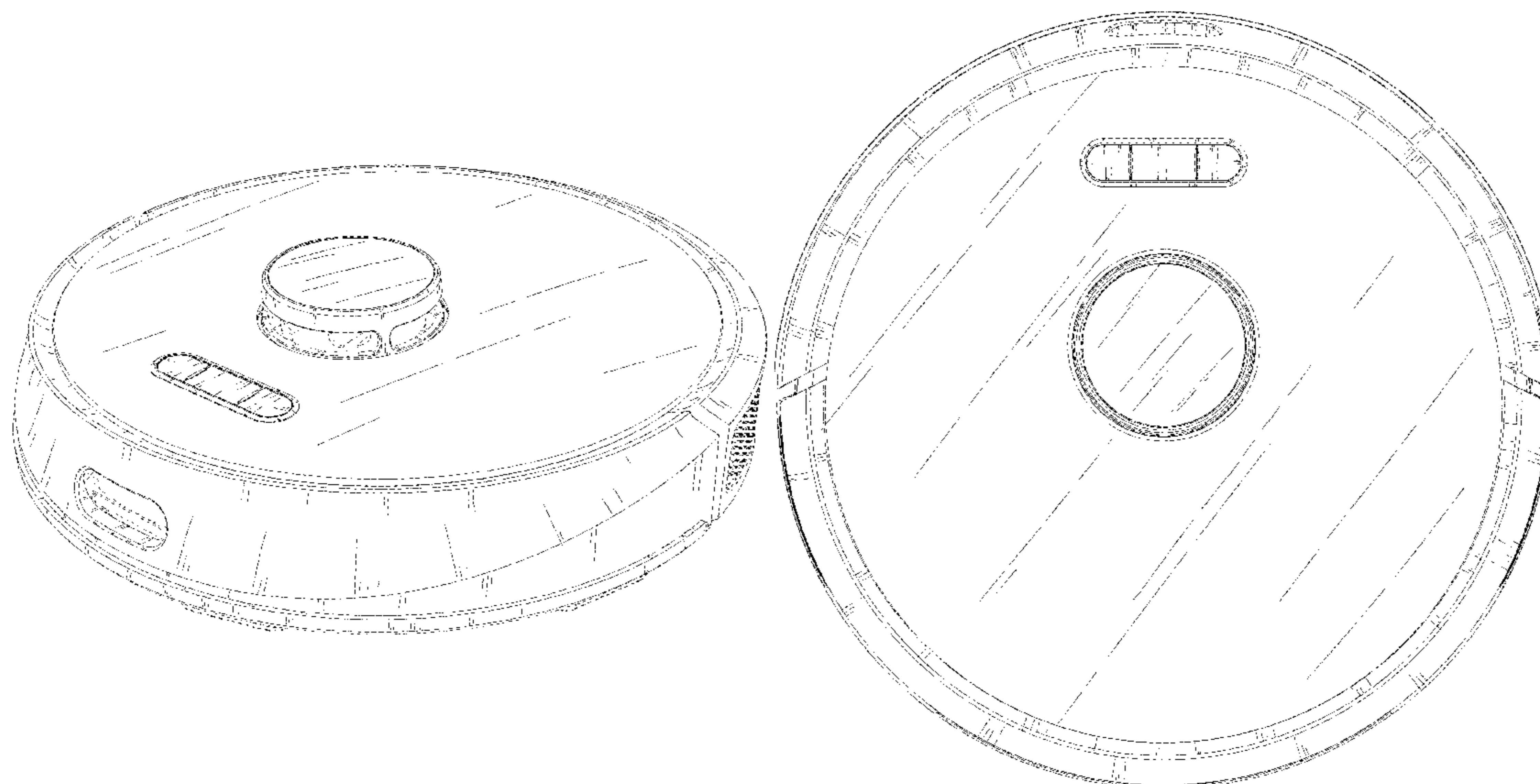
The ornamental design for a robotic cleaner, as shown and described.

DESCRIPTION

FIG. 1 is a perspective view of a robotic cleaner in accordance with the present invention;
FIG. 2 is a front view thereof;
FIG. 3 is a rear view thereof;
FIG. 4 is a left view thereof;
FIG. 5 is a right view thereof; and,
FIG. 6 is a top view thereof.

The features shown in broken lines are for illustrating portions of the robotic cleaner that form no part of the claimed design.

1 Claim, 6 Drawing Sheets



(56)

References Cited

U.S. PATENT DOCUMENTS

D790,372 S * 6/2017 Daoura D10/70
 D835,070 S * 12/2018 DePasquale D14/216
 D835,869 S * 12/2018 Li D32/21
 D840,617 S * 2/2019 Dou D32/21
 D846,195 S * 4/2019 Kang D28/82
 D849,678 S * 5/2019 Kojima D13/102
 D857,996 S * 8/2019 Chen D28/82
 D860,816 S * 9/2019 Rathbun D9/780
 D861,989 S * 10/2019 Jeong D28/78
 D867,701 S * 11/2019 Mi D32/31
 D869,109 S * 12/2019 Yu D32/21
 D871,693 S * 12/2019 Ebrahimi Afrouzi D32/21
 D871,694 S * 12/2019 Casini D32/21
 D872,953 S * 1/2020 Ebrahimi Afrouzi D32/21
 D876,035 S * 2/2020 Song D32/21
 D884,298 S * 5/2020 Li D32/21
 D885,203 S * 5/2020 Chen D10/15
 D885,461 S * 5/2020 Pera D16/218
 D885,698 S * 5/2020 Li D32/21
 D885,699 S * 5/2020 Li D32/21
 D893,819 S * 8/2020 Li D32/21
 D898,294 S * 10/2020 Kikuchi D28/82
 2019/0290091 A1 * 9/2019 Liang A47L 11/24
 2019/0298137 A1 * 10/2019 Zhu A47L 11/4002
 2020/0046192 A1 * 2/2020 Zhang A47L 11/28
 2020/0205627 A1 * 7/2020 Choi A47L 9/106

FOREIGN PATENT DOCUMENTS

CN 304672387 * 9/2017
 CN 304414932 * 12/2017
 CN 304483102 * 1/2018
 CN 304546154 * 3/2018
 CN 304566598 * 4/2018
 CN 303979123 * 6/2018
 CN 304705643 * 6/2018
 CN 304926998 * 12/2018
 CN 305028294 * 2/2019
 CN 305211139 * 6/2019
 EM 6763751-001 * 9/2019
 IN 317525-001-0001 * 6/2020
 JP D1668715 * 9/2020

RU 110054 * 7/2018
 WO D209160-001 * 7/2020
 WO D207962-006 * 10/2020

OTHER PUBLICATIONS

Roborock S5, announced in YouTube on Feb. 10, 2018 [online], [site visited Nov. 30, 2020], Available from the internet URL: <https://www.youtube.com/watch?v=diEdUnj61NQ> (Year: 2018).*

Ecovacs Deebot Ozmo 900, available in Amazon.com, date first available Feb. 20, 2019 [online], [site visited Nov. 30, 2020], Available from the internet URL: https://www.amazon.co.uk/dp/B07N1K6SGQ/ref=cm_sw_r_mt_imm_awdb_WBgXFbMZ52RBC?th=1 (Year: 2019).*

Roborock S6 Robot Vacuum, available in Amazon.com, customer review oldest date Aug. 20, 2019 [online], [site visited Nov. 30, 2020], Available from the internet URL: https://www.amazon.com/dp/B07VCQRY4W/ref=cm_sw_r_em_apa_fabt1_cQCVFbQKVDBSH?_encoding=UTF8&pssc=1 (Year: 2019).*

Roborock S6 MaxV, available in Amazon.com, date first available Feb. 19, 2020 [online], [site visited Nov. 30, 2020], Available from the internet URL: <https://www.amazon.com/Roborock-Cleaner-ReactiveAI-Navigation-Intelligent/dp/B084Z5JD5Q> (Year: 2020).*

LiDAR Robot Vacuum, available in Amazon.com, date first available May 20, 2020 [online], [site visited Nov. 30, 2020], Available from the internet URL: <https://www.amazon.com/360-Technology-Multi-Floor-Selective-Low-Medium/dp/B088WXQHTP> (Year: 2020).*

Neabot Robot Vacuum, available in Amazon.com, date first available Jul. 3, 2020 [online], [site visited Nov. 30, 2020], Available from the internet URL: https://www.amazon.com/dp/B08C9T88TN/ref=cm_sw_r_em_apa_fabt1_IcEVFbHEGKXK3?_encoding=UTF8&pssc=1 (Year: 2020).*

VEAVON Robot Vacuum, available in Amazon.com, date first available Aug. 7, 2020 [online], [site visited Nov. 30, 2020], Available from the internet URL: https://www.amazon.com/dp/B08FDKJK1X/ref=cm_sw_r_em_apa_fabt1_0JCVFbNZGEEQW?_encoding=UTF8&pssc=1 (Year: 2020).*

Narwal Robotic Cleaner, available in techhive.com, announced Year Apr. 30, 2019 [online], [site visited Nov. 30, 2020], Internet URL: <https://www.techhive.com/article/3391207/narwal-robotic-cleaner-review.html> (Year: 2019).*

* cited by examiner

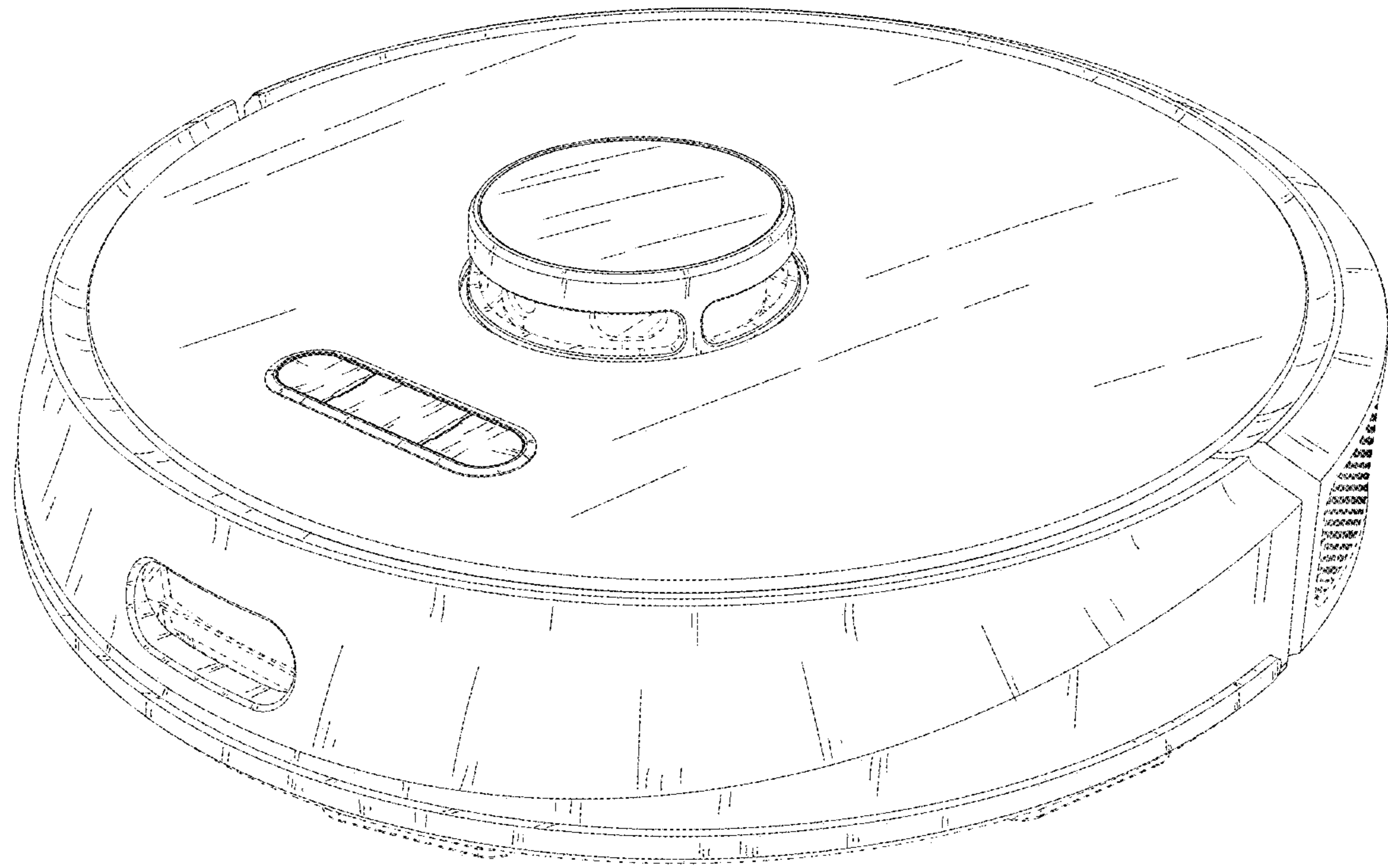


FIG. 1

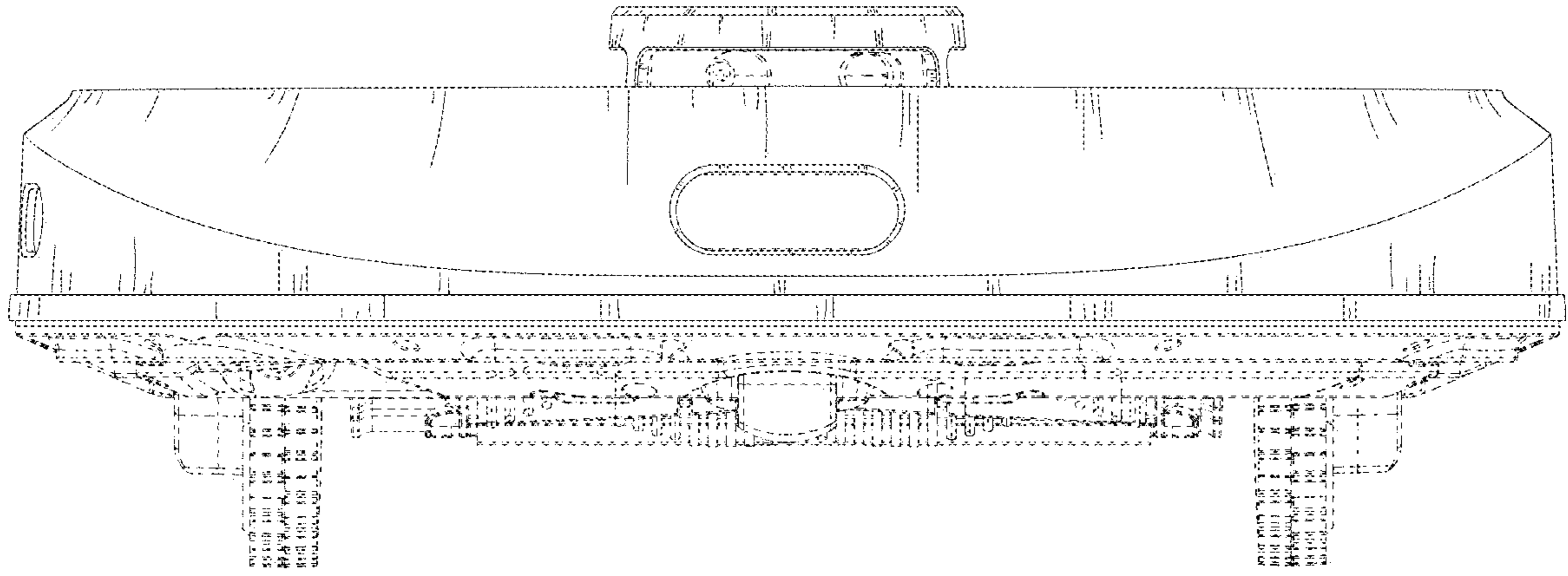


FIG. 2

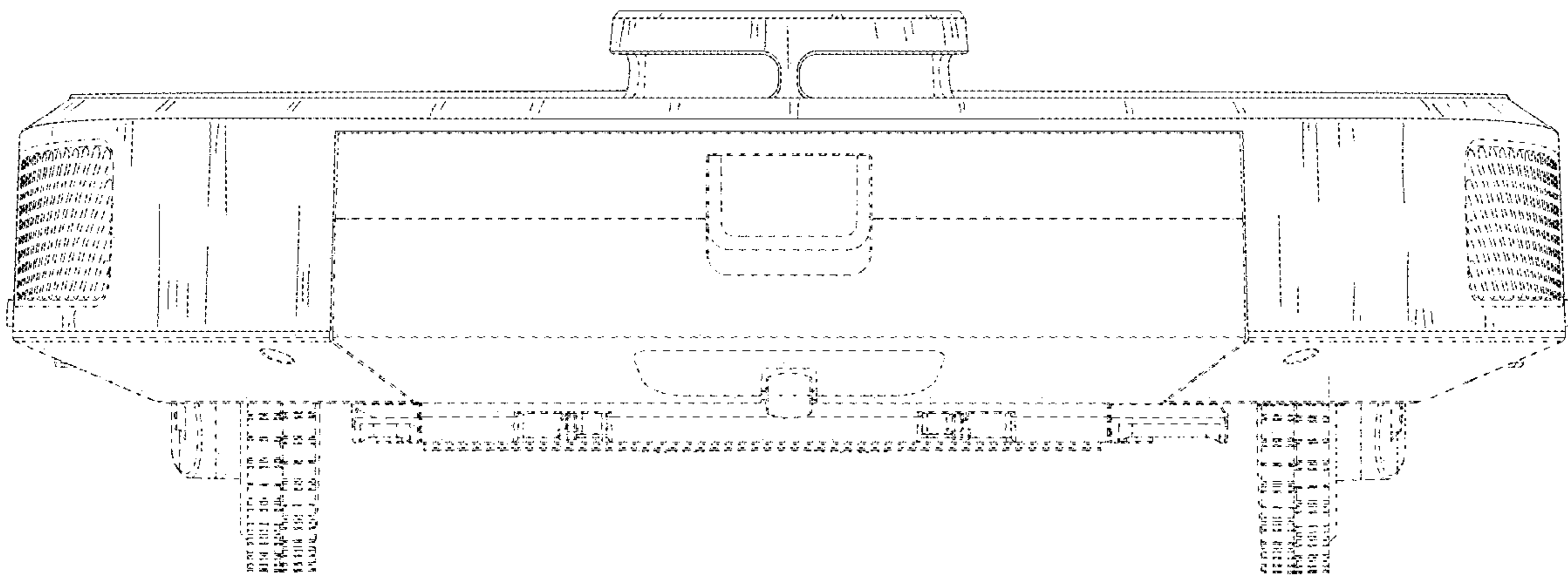


FIG. 3

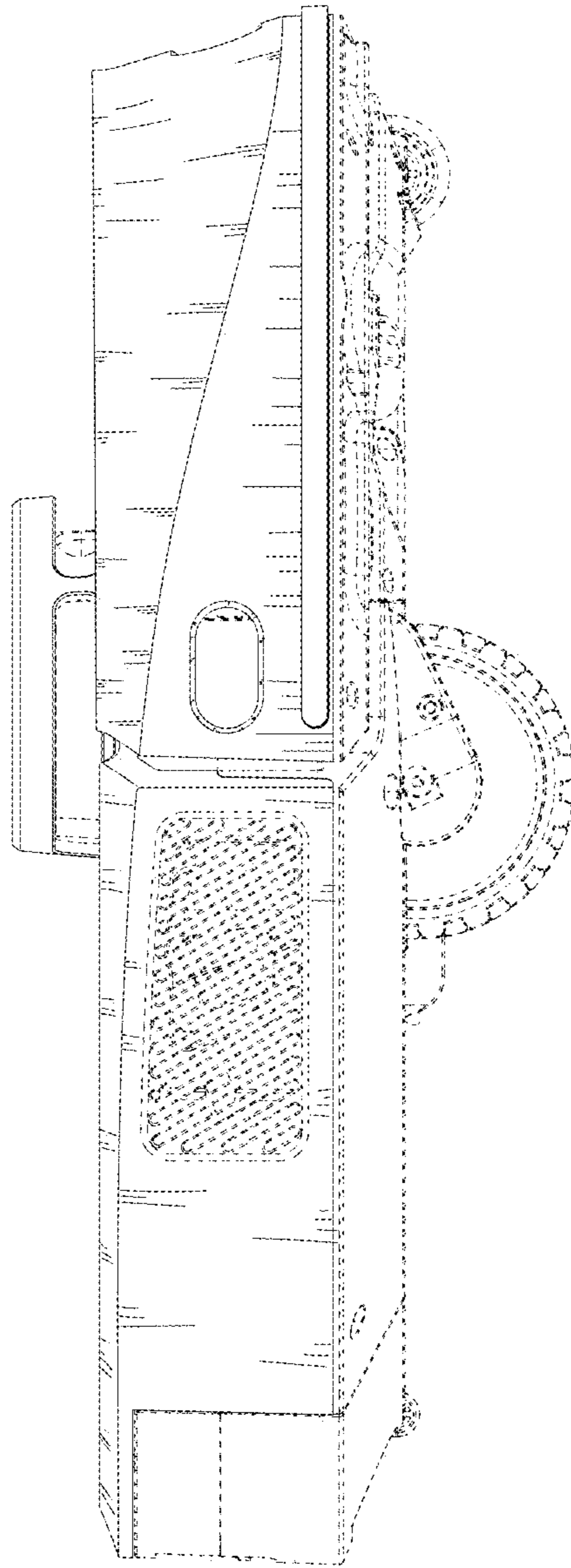


FIG. 4

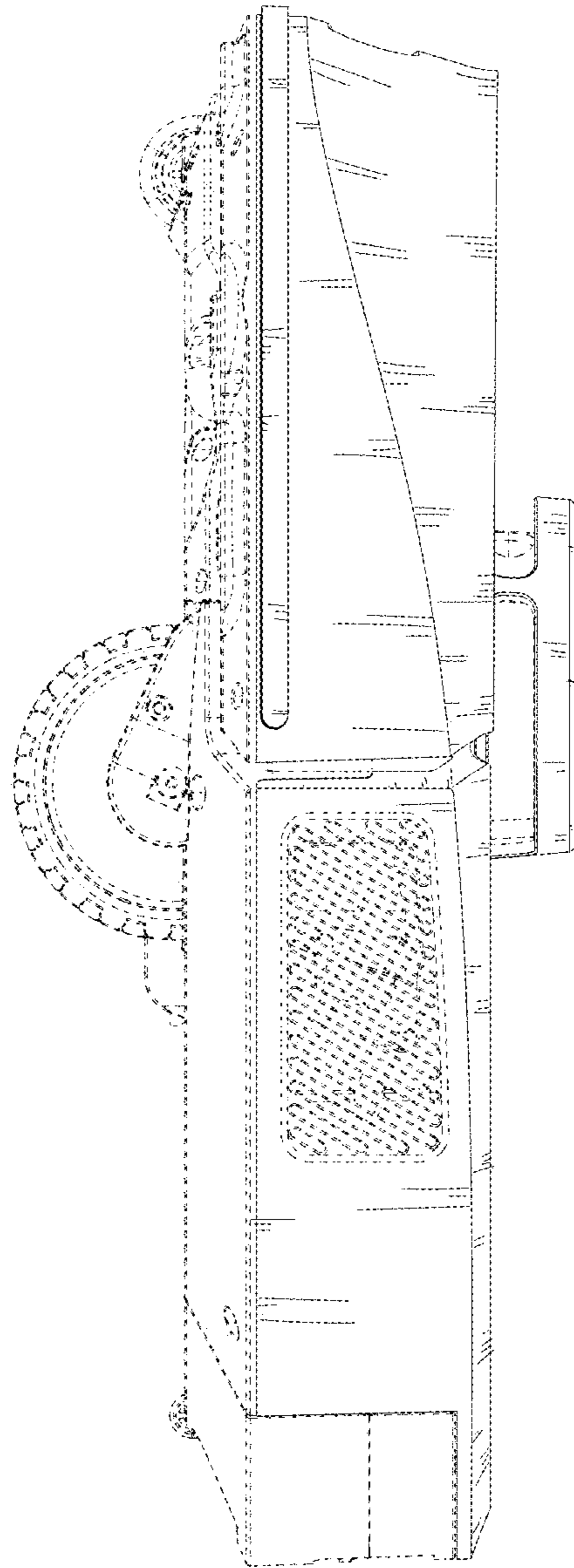


FIG. 5

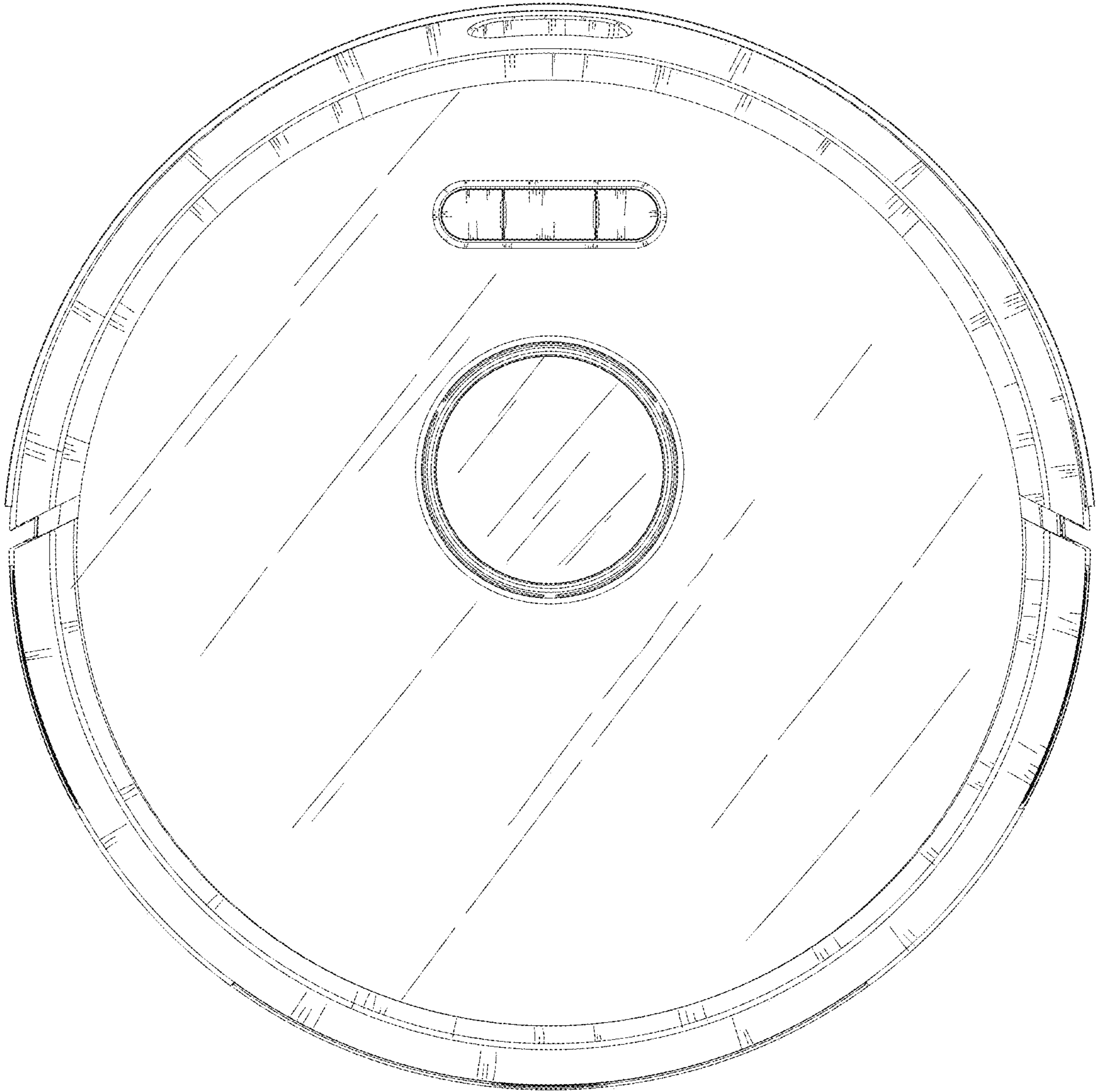


FIG. 6