



US00D922008S

(12) **United States Design Patent** (10) **Patent No.:** **US D922,008 S**
Cole et al. (45) **Date of Patent:** **** Jun. 8, 2021**

(54) **HAND-HELD VACUUM CLEANER**

(71) Applicant: **Dyson Technology Limited**, Wiltshire (GB)

(72) Inventors: **Samuel Steven Cole**, Swindon (GB);
Charles Franklin Gale, Bristol (GB);
Kristian Richard Thomas King, Swindon (GB); **Thomas Douglas Ridley**, Bristol (GB)

(73) Assignee: **Dyson Technology Limited**, Malmesbury (GB)

(**) Term: **15 Years**

(21) Appl. No.: **29/694,163**

(22) Filed: **Jun. 7, 2019**

(30) **Foreign Application Priority Data**

Dec. 10, 2018 (EM) 005869047-0002

(51) **LOC (13) Cl.** **15-05**

(52) **U.S. Cl.**
USPC **D32/18**

(58) **Field of Classification Search**
USPC D32/18, 30, 31, 32, 34
CPC B01L 3/5635; A47L 7/0028; A47L 7/1463
See application file for complete search history.

(56) **References Cited**

U.S. PATENT DOCUMENTS

D389,963 S *	1/1998	Scanlon	D32/31
D495,458 S *	8/2004	Baldinger	D32/30
D610,760 S *	2/2010	Zugen	D32/31
D617,065 S *	6/2010	Williams	D32/31
D668,408 S *	10/2012	Kim	D32/31
D669,237 S *	10/2012	Kim	D32/31
D784,641 S *	4/2017	Webster	D32/31
D821,667 S *	6/2018	Nam	D32/18
D826,493 S *	8/2018	Nam	D32/18
D839,509 S *	1/2019	Nam	D32/18

D844,912 S *	4/2019	Gammack	D32/18
D846,819 S *	4/2019	Gammack	D32/18
D851,343 S *	6/2019	Hinchliffe	D32/31
D854,266 S *	7/2019	Gammack	D32/18
D855,910 S *	8/2019	Gammack	D32/18
D855,911 S *	8/2019	Gammack	D32/18
D855,912 S *	8/2019	Gammack	D32/18
D855,913 S *	8/2019	Gammack	D32/18
10,368,706 B1 *	8/2019	Seasholtz	A47L 7/0028
D861,265 S *	9/2019	Gammack	D32/18
D901,800 S *	11/2020	Choi	D32/34
2008/0197067 A1 *	8/2008	Ross	B01L 3/5635 210/348

(Continued)

OTHER PUBLICATIONS

<https://www.thinkvacuums.com/central-vacuums/maintenance/filters/dustcare-dcc-8-round-hepa-filter.html> (Year: 2020).*

Primary Examiner — Michelle E. Wilson

Assistant Examiner — Richard E Yenchesky

(74) *Attorney, Agent, or Firm* — Morrison & Foerster LLP

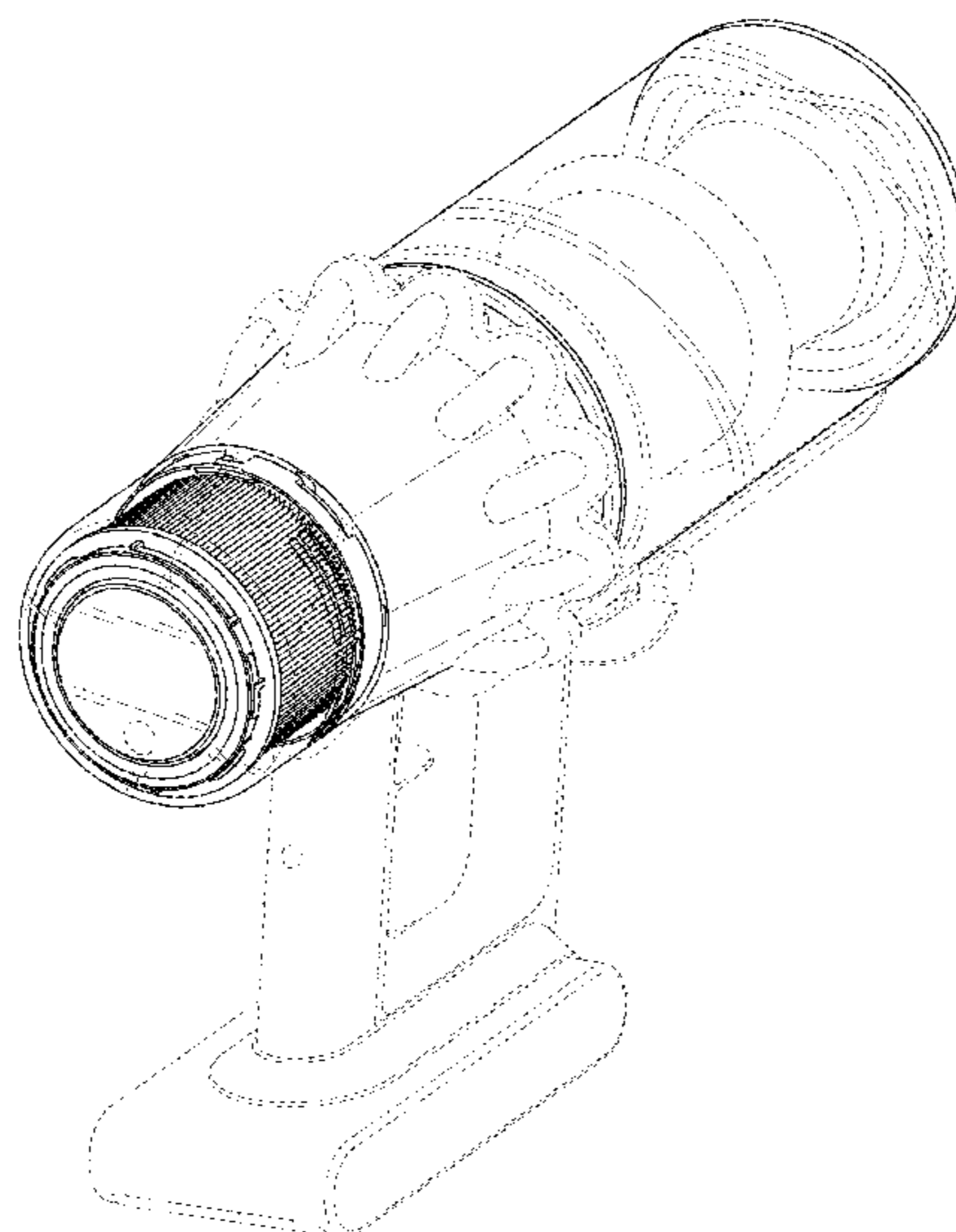
(57) **CLAIM**

We claim the ornamental design for a hand-held vacuum cleaner, as shown and described.

DESCRIPTION

FIG. 1 is a rear perspective view of a hand-held vacuum cleaner showing our new design;
FIG. 2 is a front view thereof;
FIG. 3 is a rear view thereof;
FIG. 4 is a side view thereof;
FIG. 5 is a side view of the opposite side of FIG. 4;
FIG. 6 is a top view thereof; and,
FIG. 7 is a bottom view thereof.
The broken lines shown in the drawings illustrate portions of a hand-held vacuum cleaner that form no part of the claimed design.

1 Claim, 7 Drawing Sheets



(56)

References Cited

U.S. PATENT DOCUMENTS

2020/0245832 A1* 8/2020 Cichy A47L 9/1463

* cited by examiner

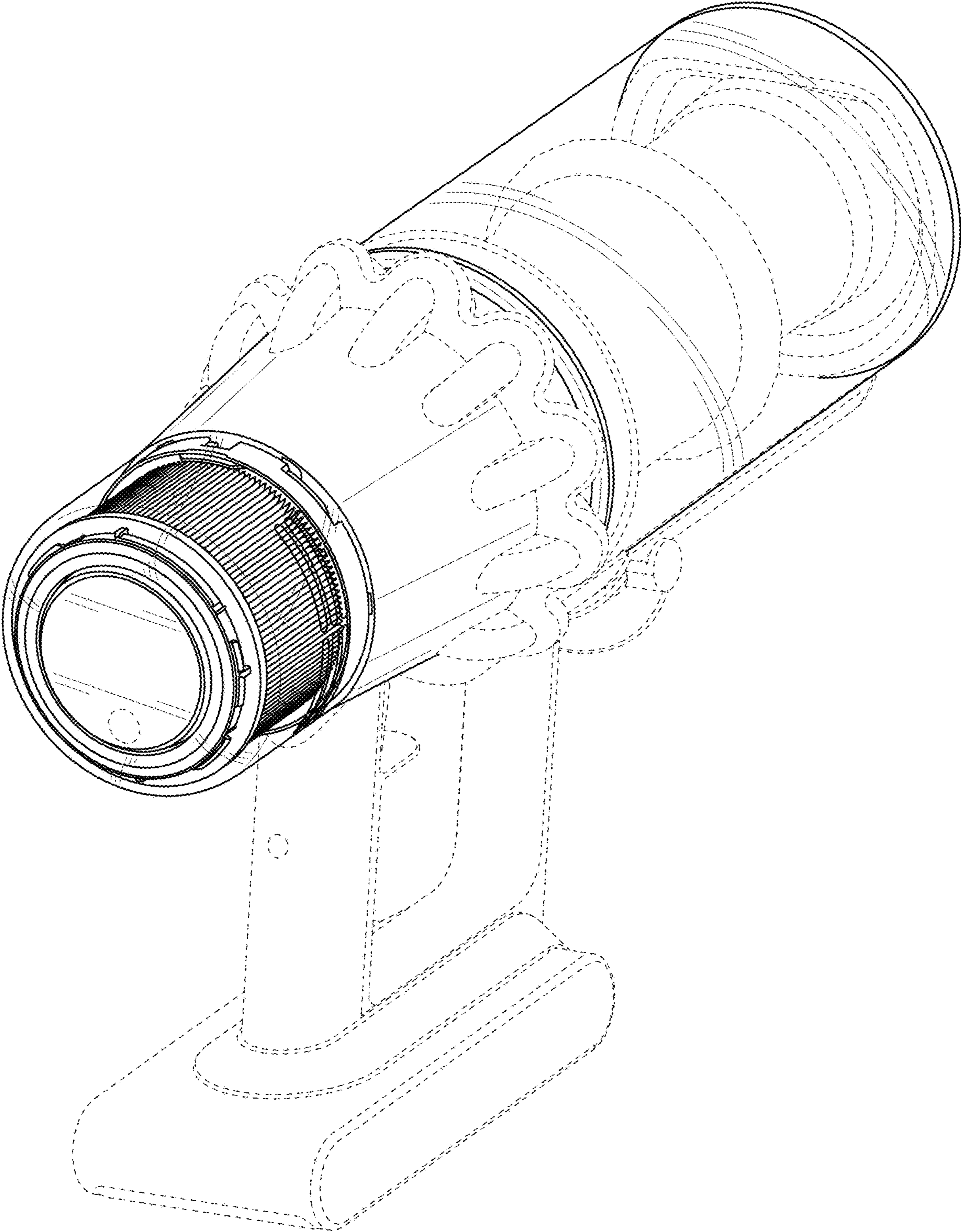


FIG. 1

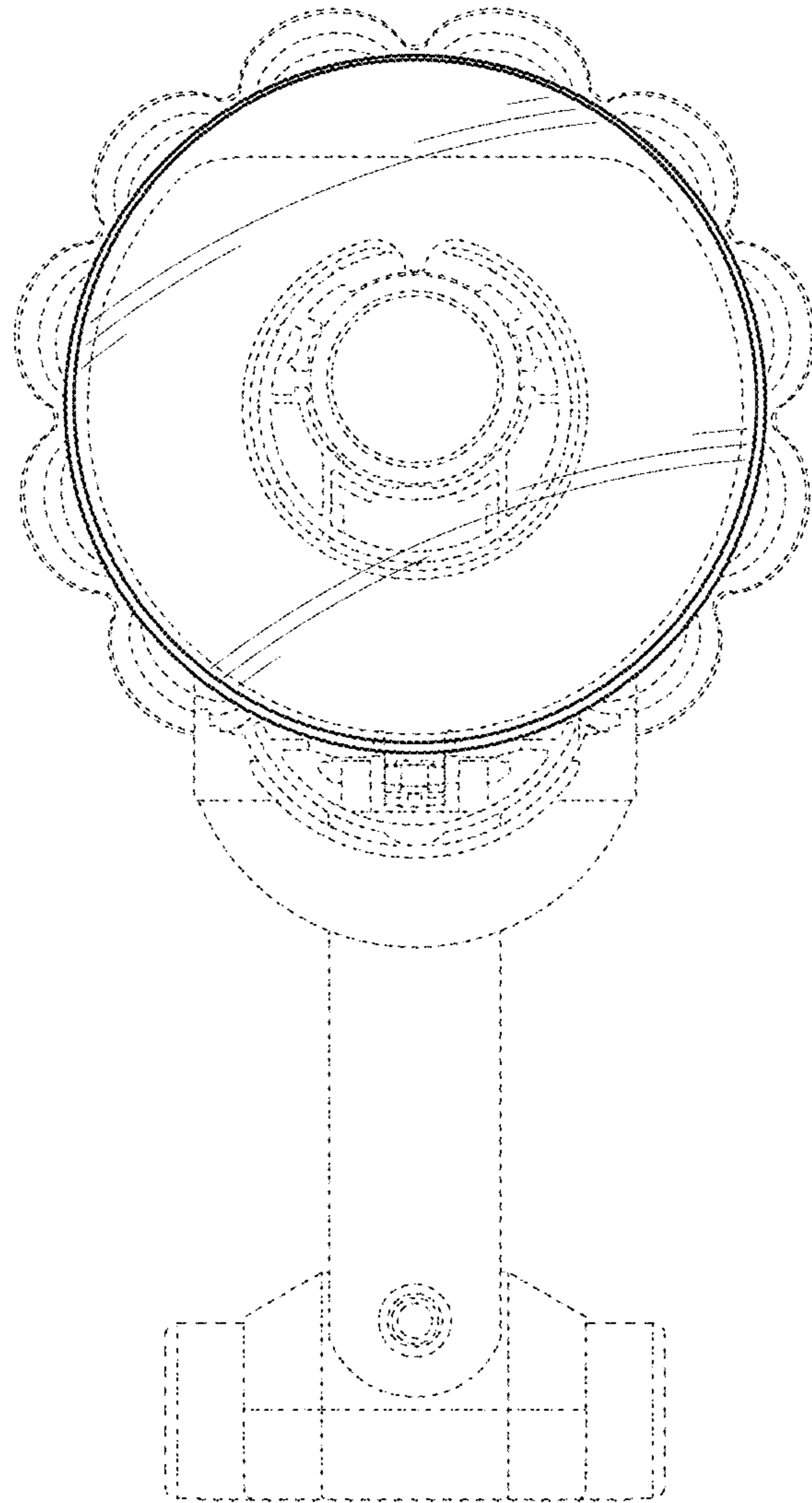


FIG. 2

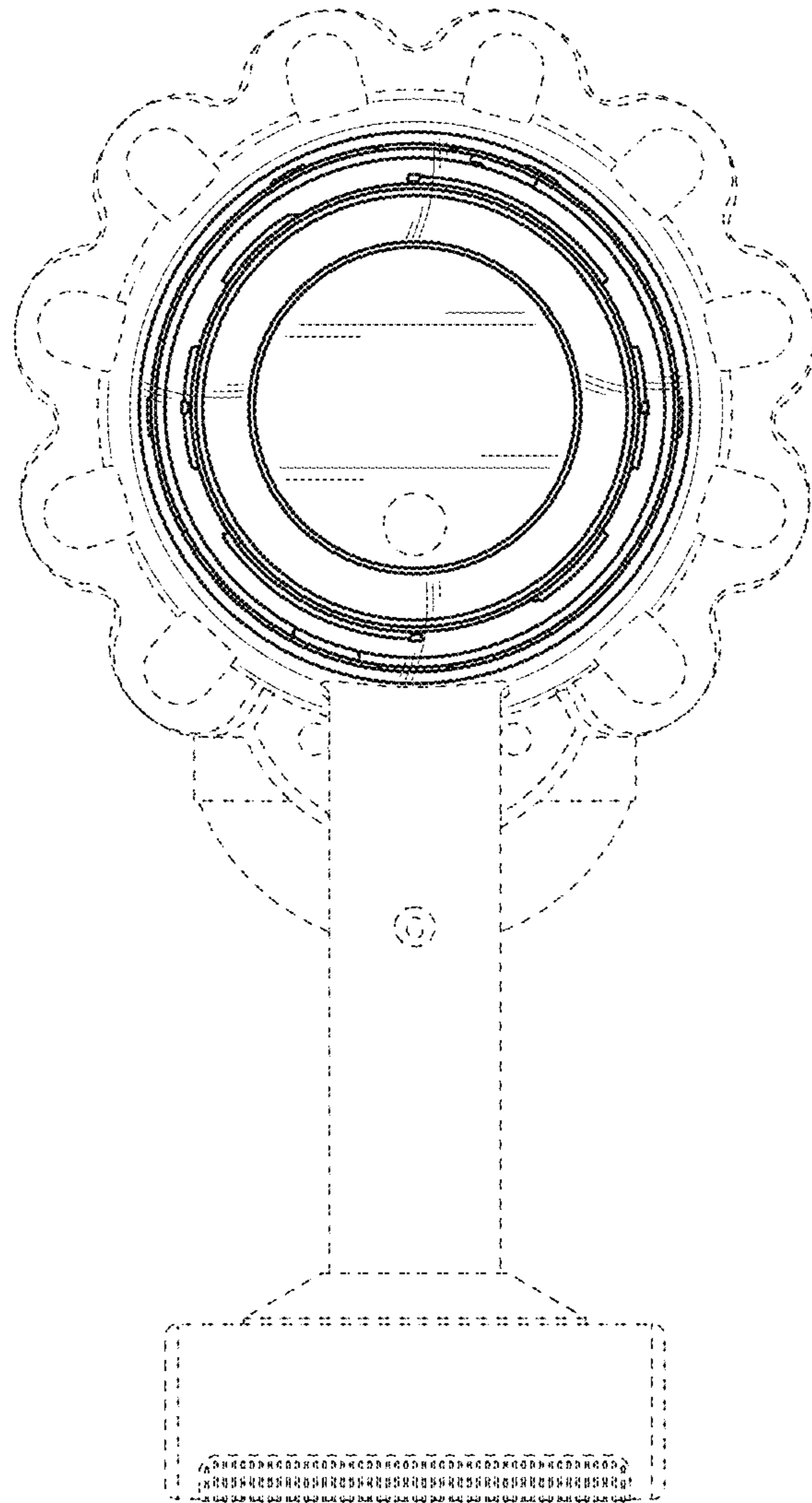


FIG. 3

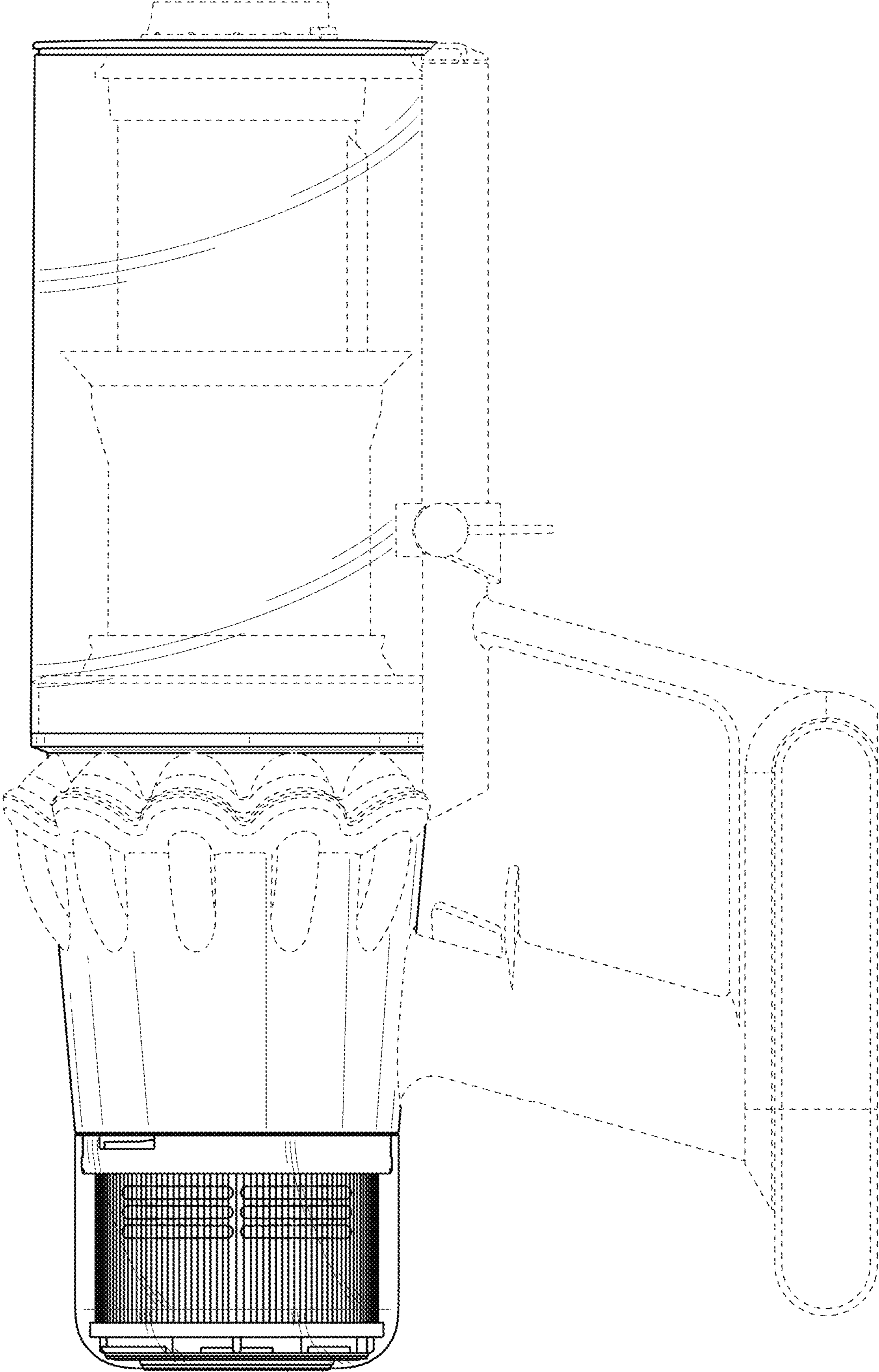


FIG. 4

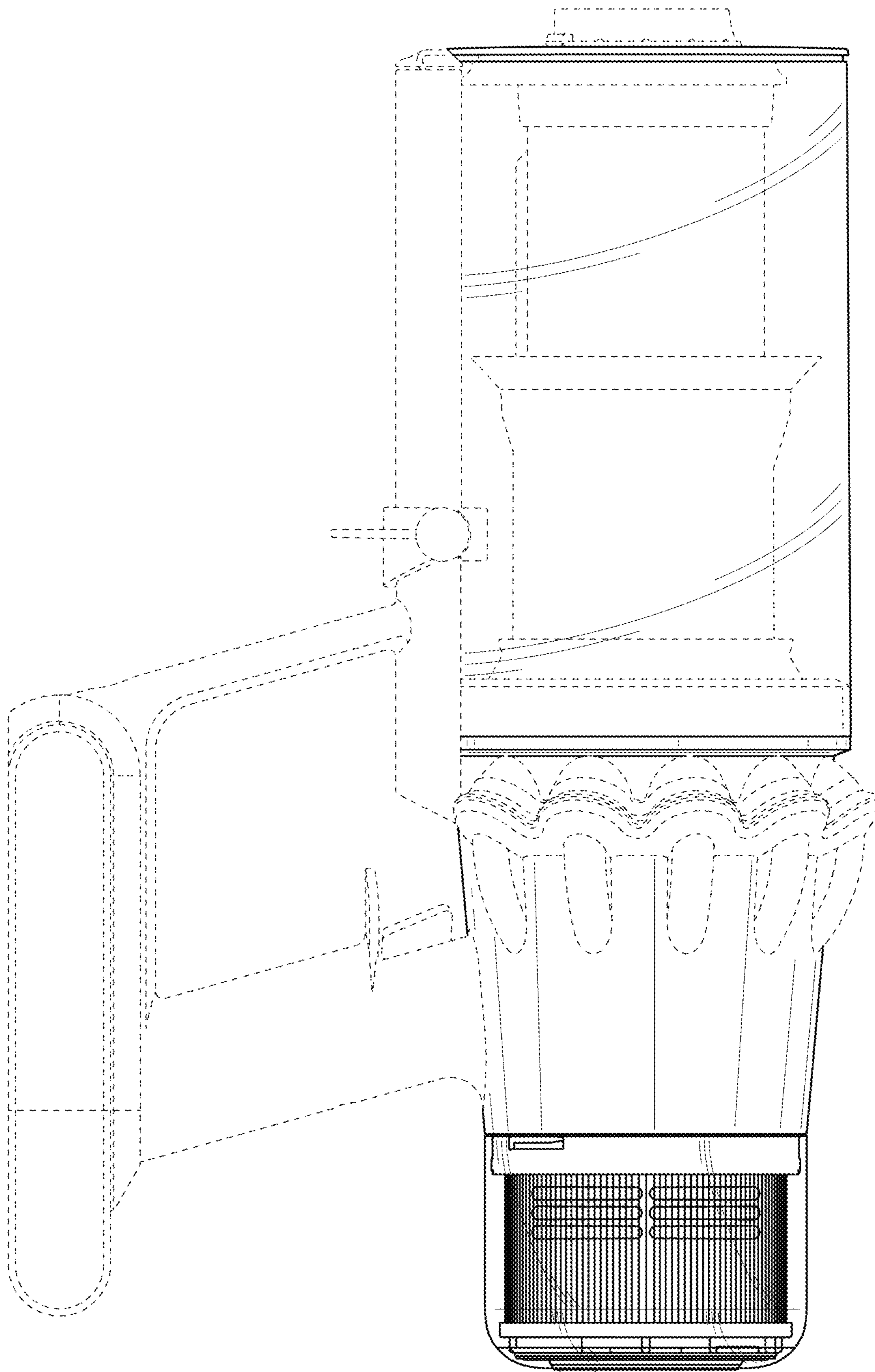


FIG. 5

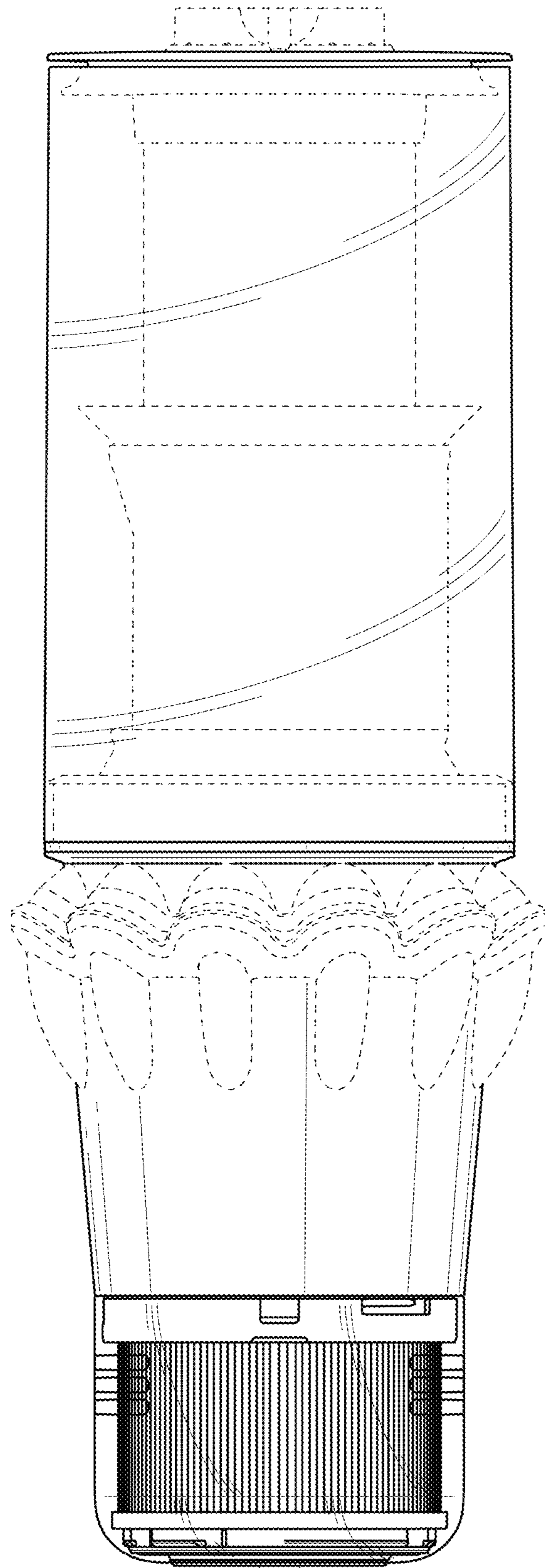


FIG. 6

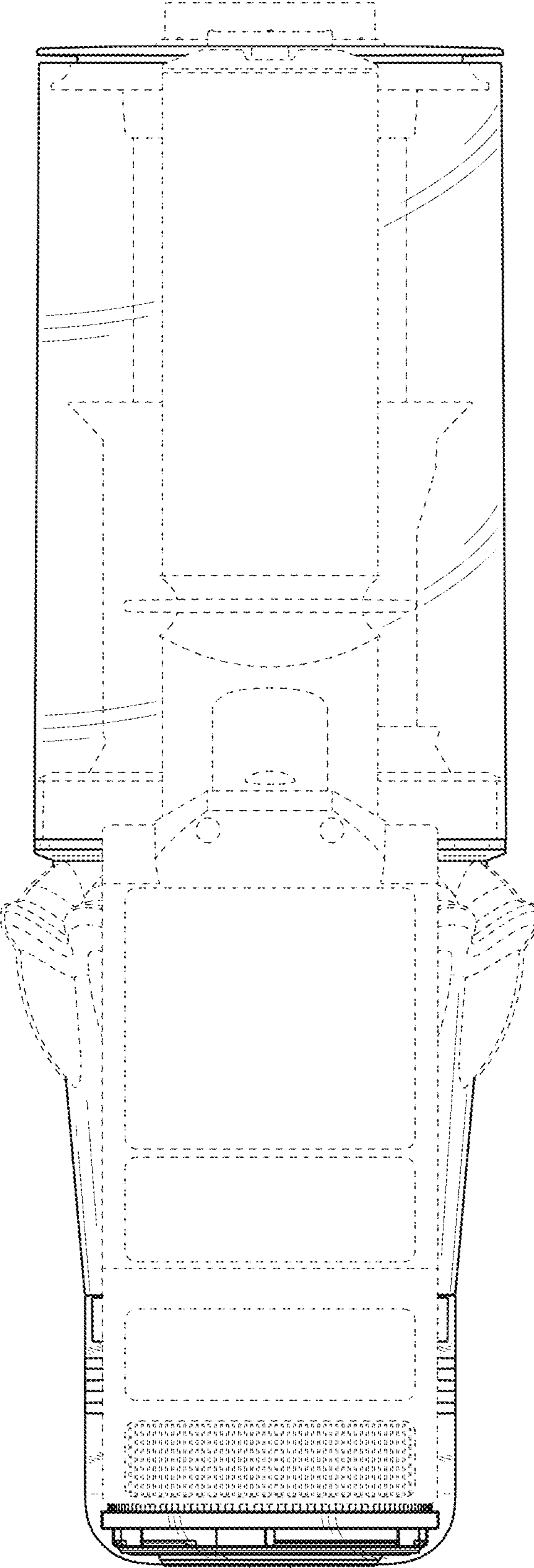


FIG. 7