



US00D922006S

(12) **United States Design Patent**  
**Tsengas**

(10) **Patent No.:** **US D922,006 S**

(45) **Date of Patent:** **\*\* Jun. 8, 2021**

(54) **CLUMP SIFTING CAT LITTER SCOOP**

2019/0159423 A1\* 5/2019 Davids ..... B07B 1/02

\* cited by examiner

(71) Applicant: **Steven Tsengas**, Fairport Harbor, OH  
(US)

*Primary Examiner* — Michael C Stout

*Assistant Examiner* — Katrina N Gonzalez

(72) Inventor: **Steven Tsengas**, Fairport Harbor, OH  
(US)

(74) *Attorney, Agent, or Firm* — Gugliotta & Gugliotta  
LPA

(\*\*) Term: **15 Years**

(57) **CLAIM**

(21) Appl. No.: **29/648,965**

The ornamental design for a clump sifting cat litter scoop, as shown and described.

(22) Filed: **May 25, 2018**

**DESCRIPTION**

(51) **LOC (13) Cl.** ..... **30-99**

(52) **U.S. Cl.**  
USPC ..... **D30/162**

(58) **Field of Classification Search**  
USPC ..... D30/161, 162, 199; 119/166, 167, 168,  
119/169, 170, 867; 209/419  
See application file for complete search history.

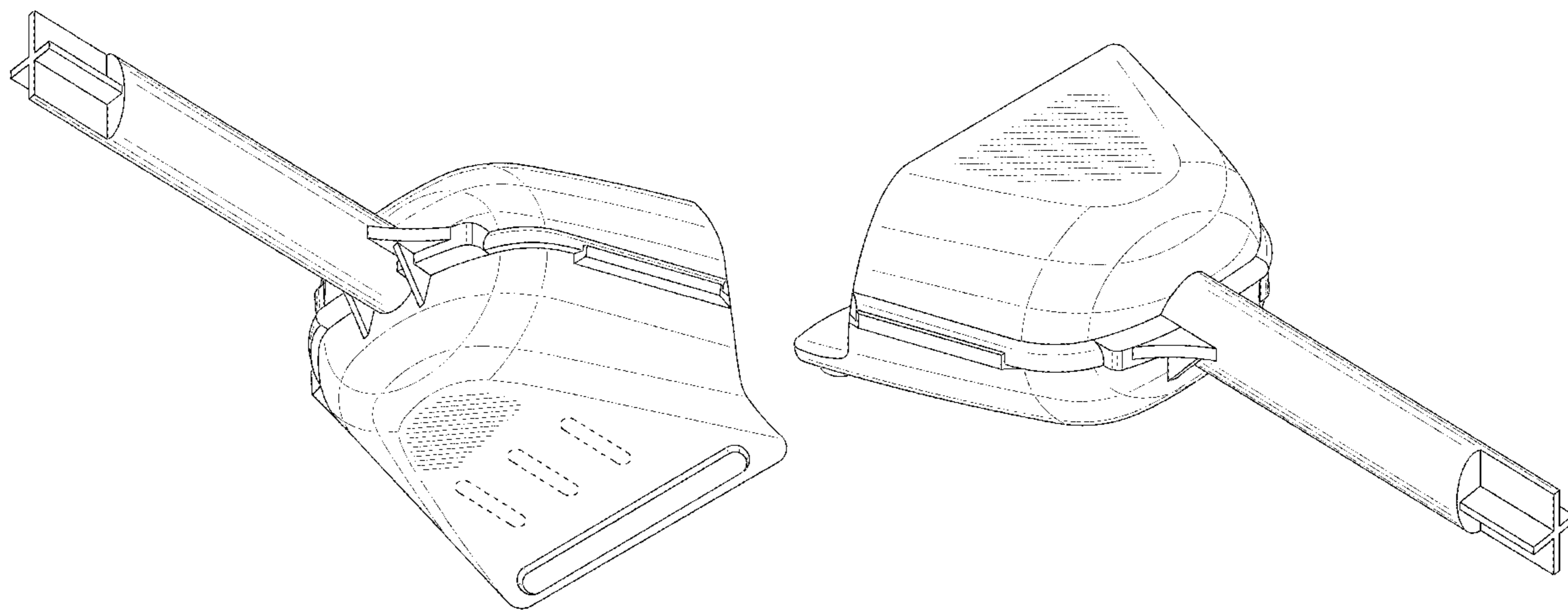
FIG. 1 is a bottom rear perspective view of a clump sifting cat litter scoop showing my new design;  
FIG. 2 is a top rear perspective view thereof;  
FIG. 3 is a bottom plan view thereof;  
FIG. 4 is a top plan view thereof;  
FIG. 5 is a right side elevation view, the left side elevation view being a mirror image thereof;  
FIG. 6 is a rear elevation view thereof; and,  
FIG. 7 is a front elevation view thereof.  
The broken lines illustrate portions of the clump sifting cat litter scoop that form no part of the claimed design.

(56) **References Cited**

**U.S. PATENT DOCUMENTS**

- D483,626 S \* 12/2003 Jeffries ..... D30/162
- D805,264 S \* 12/2017 Wendling ..... D30/162
- D811,667 S \* 2/2018 Renforth ..... D30/162

**1 Claim, 7 Drawing Sheets**



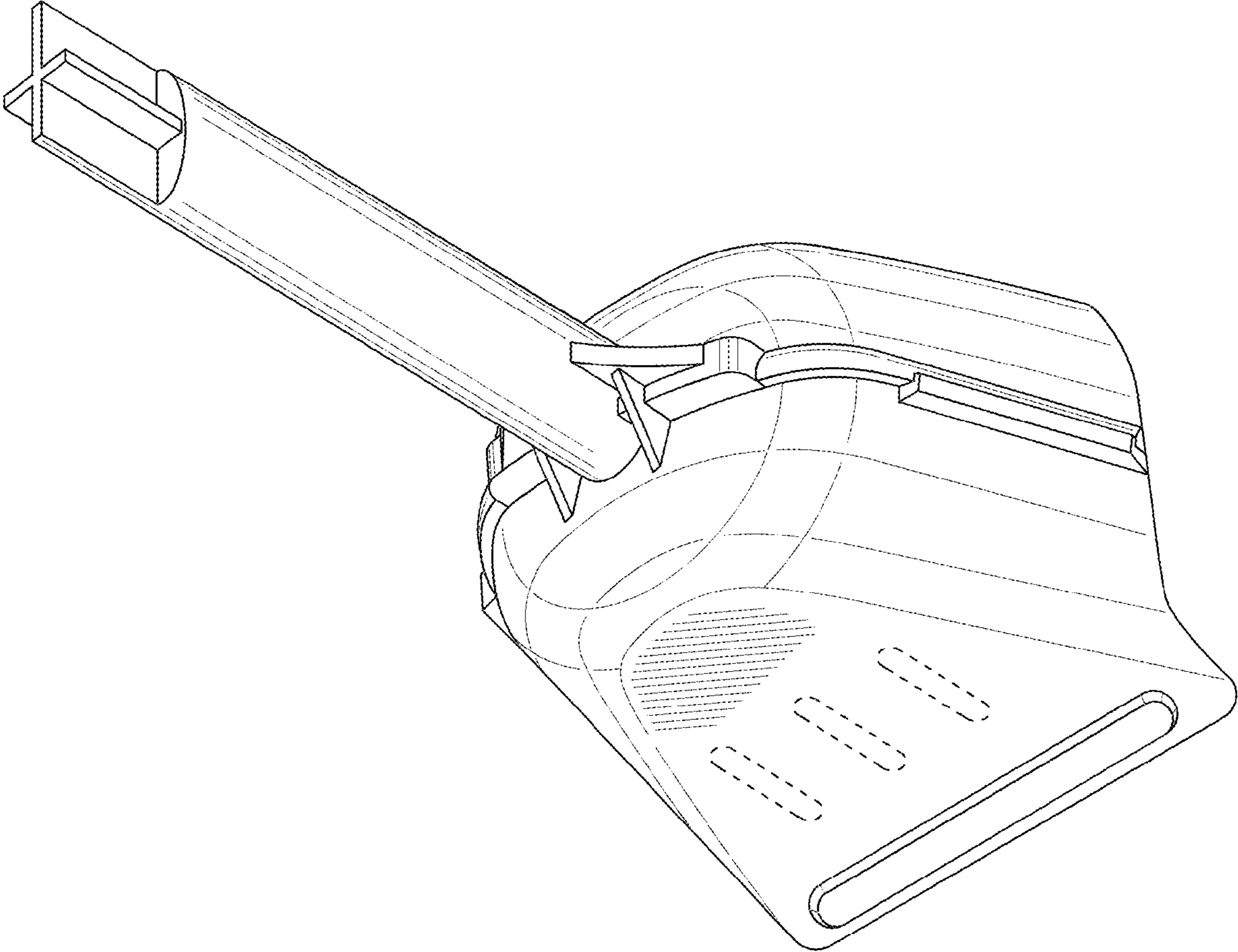


FIG. 1

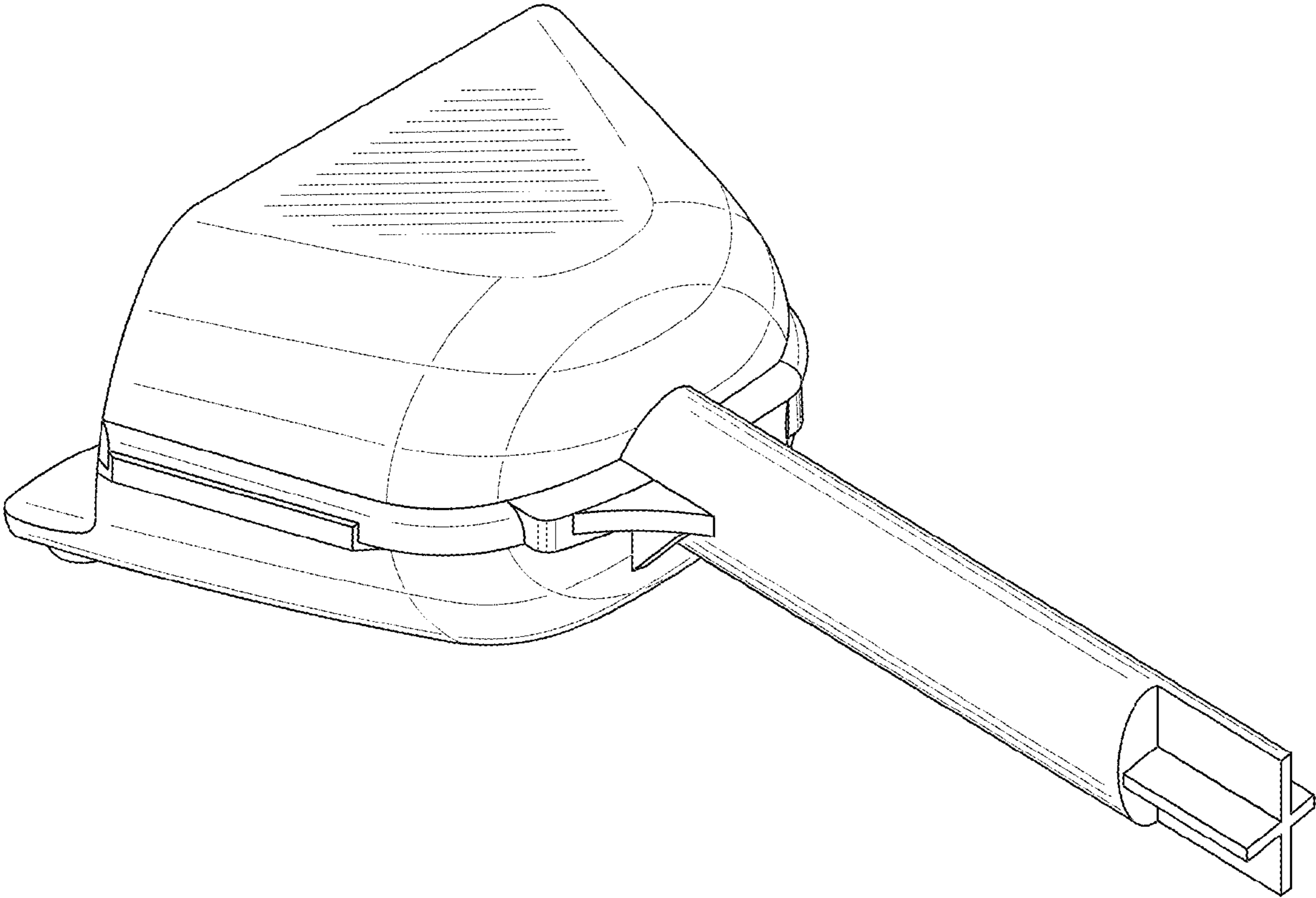


FIG. 2

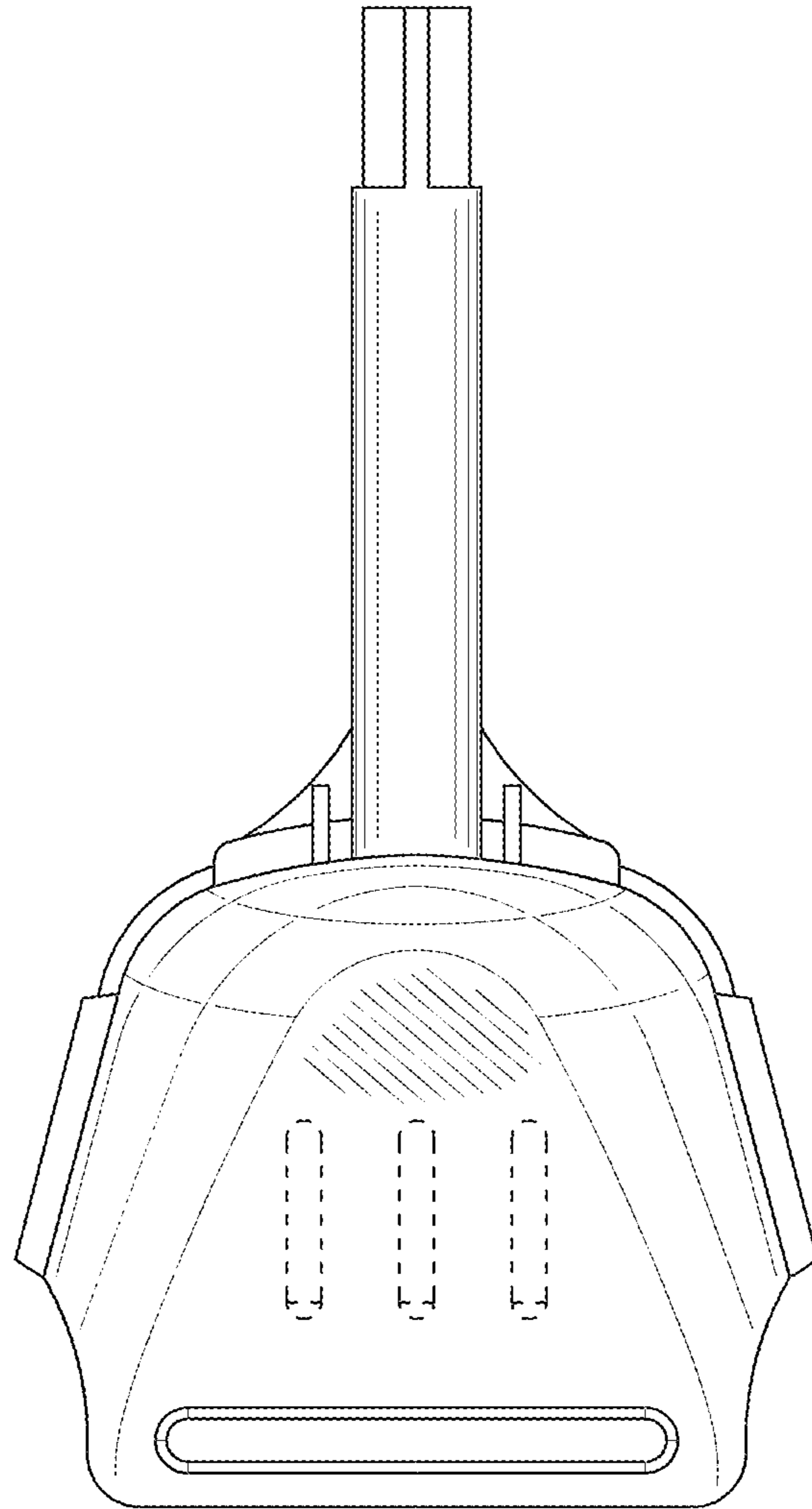


FIG. 3

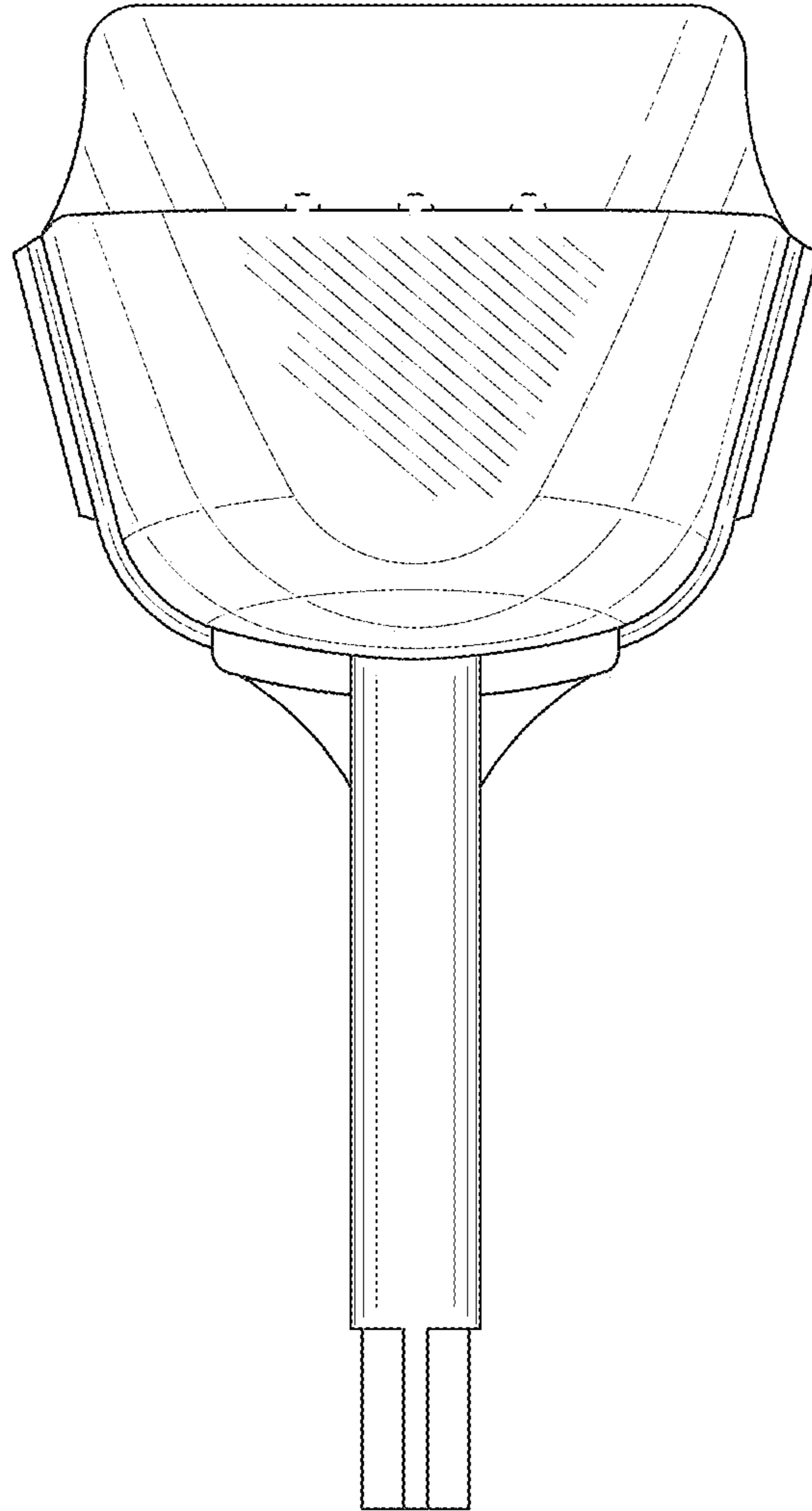


FIG. 4

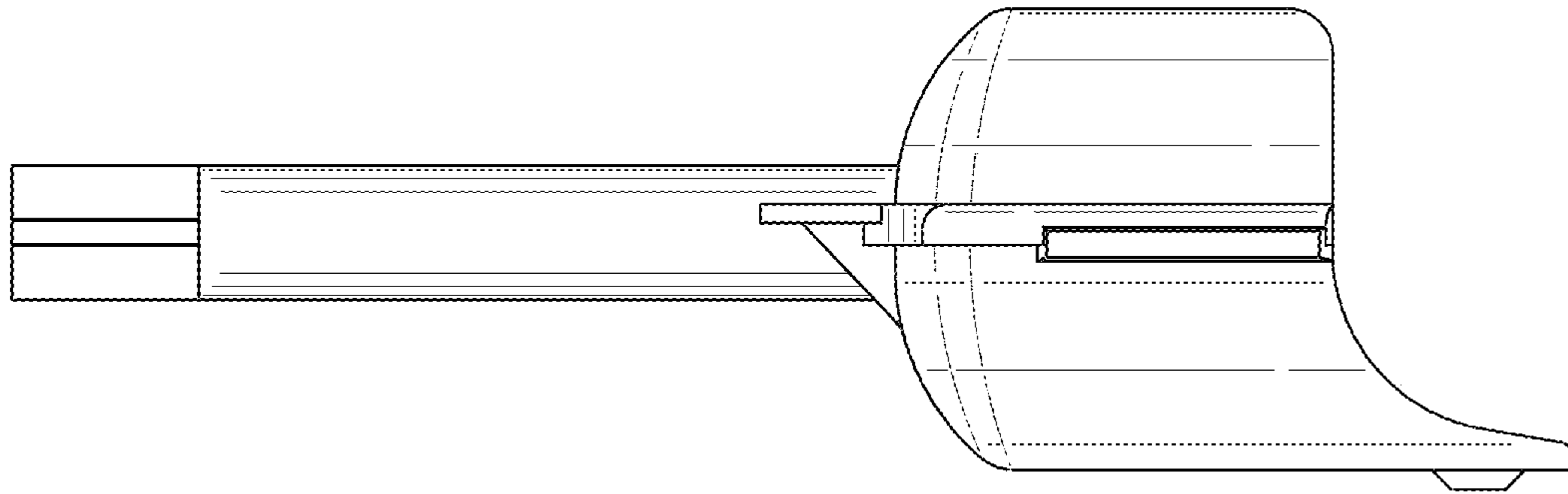


FIG. 5

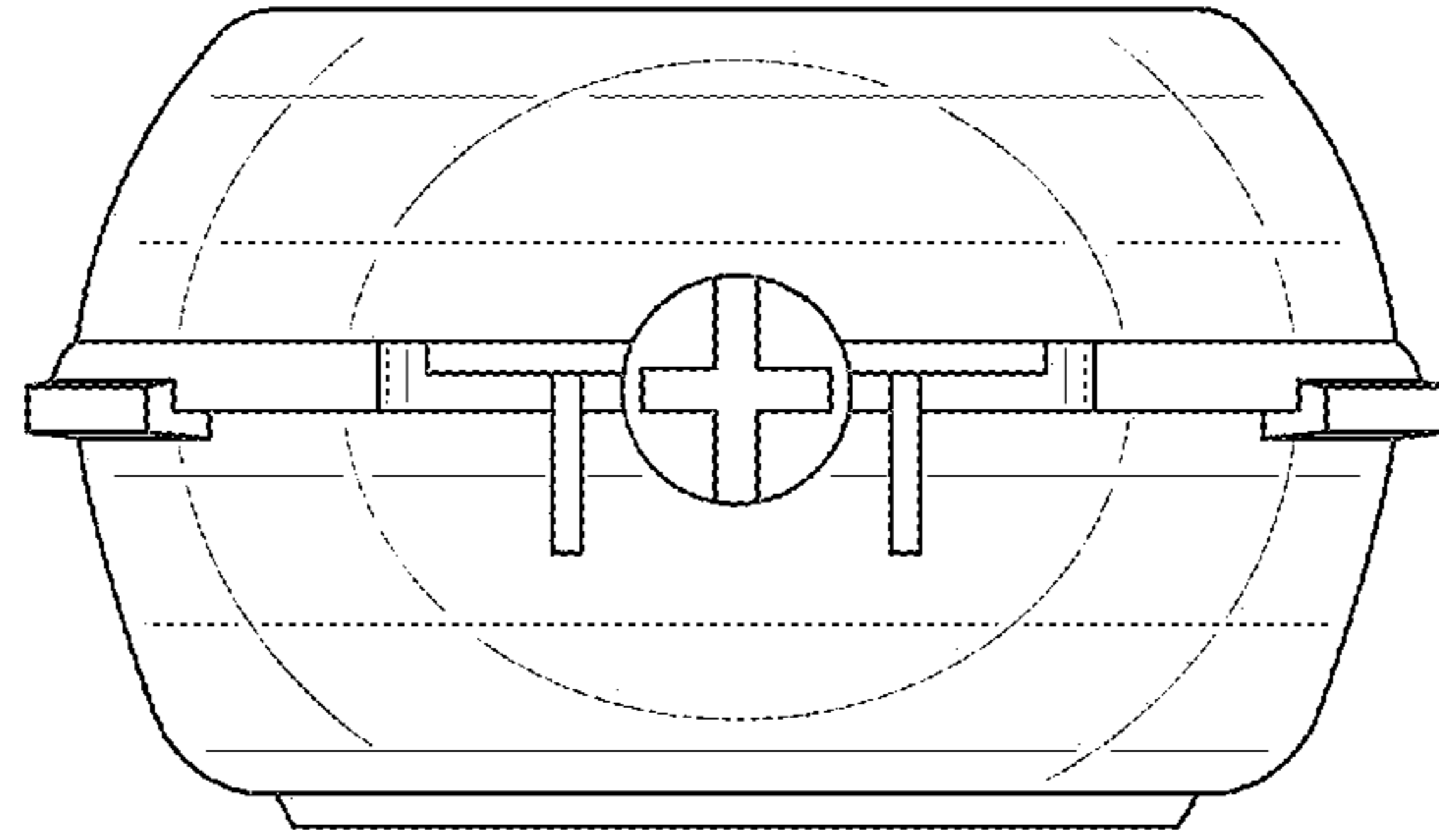


FIG. 6

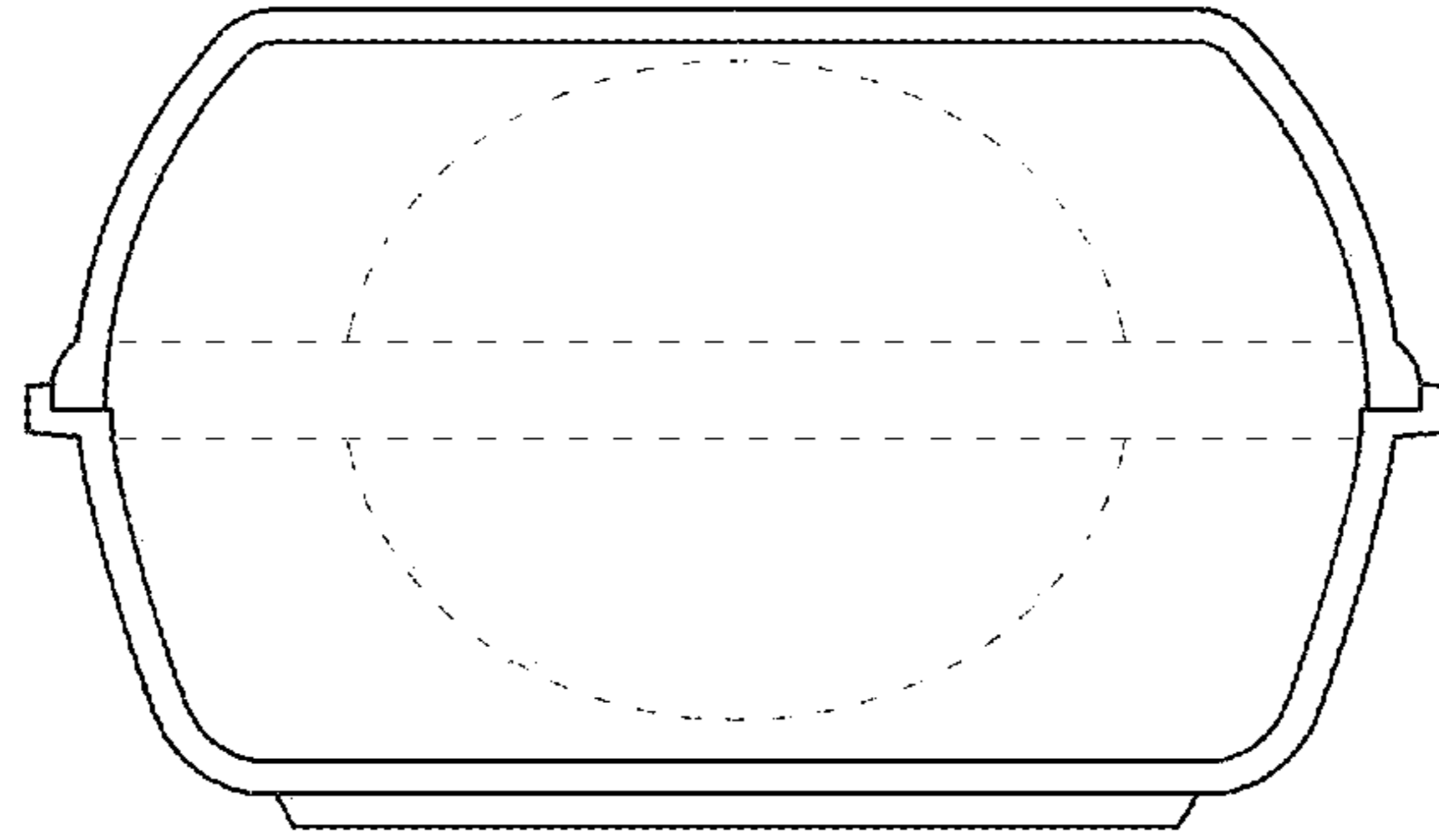


FIG. 7