



US00D922003S

(12) **United States Design Patent** (10) **Patent No.:** **US D922,003 S**
Gick (45) **Date of Patent:** **** *Jun. 8, 2021**

(54) **TOY FOR PETS**
(71) Applicant: **James W. Gick**, Irvine, CA (US)
(72) Inventor: **James W. Gick**, Irvine, CA (US)
(73) Assignee: **DOSKOCIL MANUFACTURING COMPANY, INC.**, Arlington, TX (US)
(*) Notice: This patent is subject to a terminal disclaimer.
(**) Term: **15 Years**
(21) Appl. No.: **29/666,843**
(22) Filed: **Oct. 16, 2018**
(51) **LOC (13) Cl.** **30-99**
(52) **U.S. Cl.**
USPC **D30/160**
(58) **Field of Classification Search**
USPC D30/121, 130, 133, 158, 199; 119/28.5, 119/452-453, 474, 482, 484, 496, 119/706-708, 622, 621, 702, 707-711; 446/168, 170, 417
CPC A01K 1/033; A01K 15/024; A01K 15/025; A01K 15/26; A01K 15/27; A61J 17/00; B65D 17/163; B65D 17/165
See application file for complete search history.

(56) **References Cited**
U.S. PATENT DOCUMENTS
D371,645 S * 7/1996 Lawson D30/160
D399,612 S * 10/1998 Weinacker, Jr. D30/160
2004/0107917 A1* 6/2004 Gerlach A01K 15/026
119/708
2007/0215063 A1* 9/2007 Simpson A01K 15/025
119/708

2011/0226191 A1* 9/2011 Curry A01K 15/025
119/707
2011/0232580 A1* 9/2011 Renforth A01K 15/025
119/707
2012/0318209 A1* 12/2012 Christianson A01K 15/025
119/707

OTHER PUBLICATIONS

“FLiPSTiCK Chase and Tug Interactive Dog Toy” available May 3, 2019, [online], [site visited Aug. 29, 2019]. Retrieved from Internet, URL: <https://shop.petqwerks.com/products/flipstick-chase-and-tug-interactive-dog-toy> (Year: 2019).*

(Continued)

Primary Examiner — Michael C Stout
Assistant Examiner — Katrina N Gonzalez
(74) *Attorney, Agent, or Firm* — Global IP Counselors, LLP

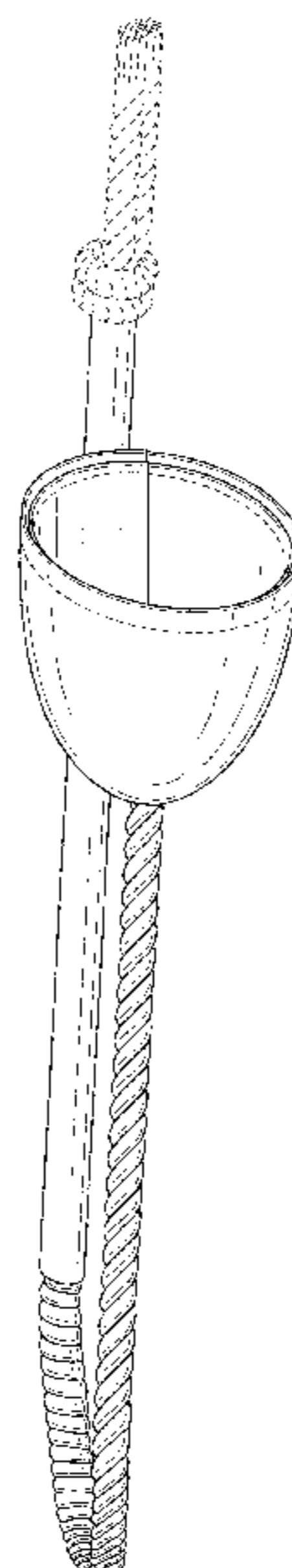
(57) **CLAIM**

The ornamental design for a toy for pets, as shown and described.

DESCRIPTION

FIG. 1 is a perspective view of the toy for pets of the present disclosure.
FIG. 2 is a left side view of the toy for pets of the present disclosure.
FIG. 3 is a right side view of the toy for pets of the present disclosure.
FIG. 4 is a rear view of the toy for pets of the present disclosure.
FIG. 5 is a front view of the toy for pets of the present disclosure.
FIG. 6 is a bottom plan view of the toy for pets of the present disclosure; and,
FIG. 7 is a top plan view of the toy for pets of the present disclosure.
The broken lines illustrate portions of the toy for pets that form no part of the claimed design.

1 Claim, 5 Drawing Sheets



(56)

References Cited

OTHER PUBLICATIONS

DIY Flirt Pole, image from “The Flirt Pole: Dog Toy or Life Changer?” by Jessica Dolce, Apr. 24, 2012, accessed Dec. 21, 2018 from <https://notesfromadogwalker.com/2012/04/24/flirt-pole/>.

Outward Hound Tail Teaser, Dog Flirt Pole Toy, accessed Dec. 21, 2018 from <https://www.amazon.com/Outward-Hound-Tail-Teaser-Flirt/dp/B0042I5G2I>.

Squishy Face studio Flirt Pole V2 with Braided Fleece Lure, accessed Dec. 21, 2018 from <https://www.amazon.com/Outward-Hound-Tail-Teaser-Flirt/dp/B0042I5G2I>.

* cited by examiner

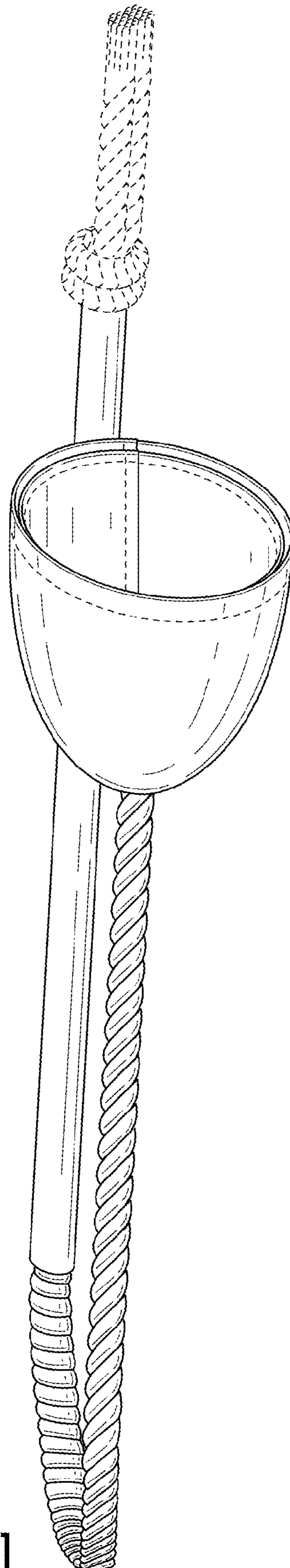


FIG. 1

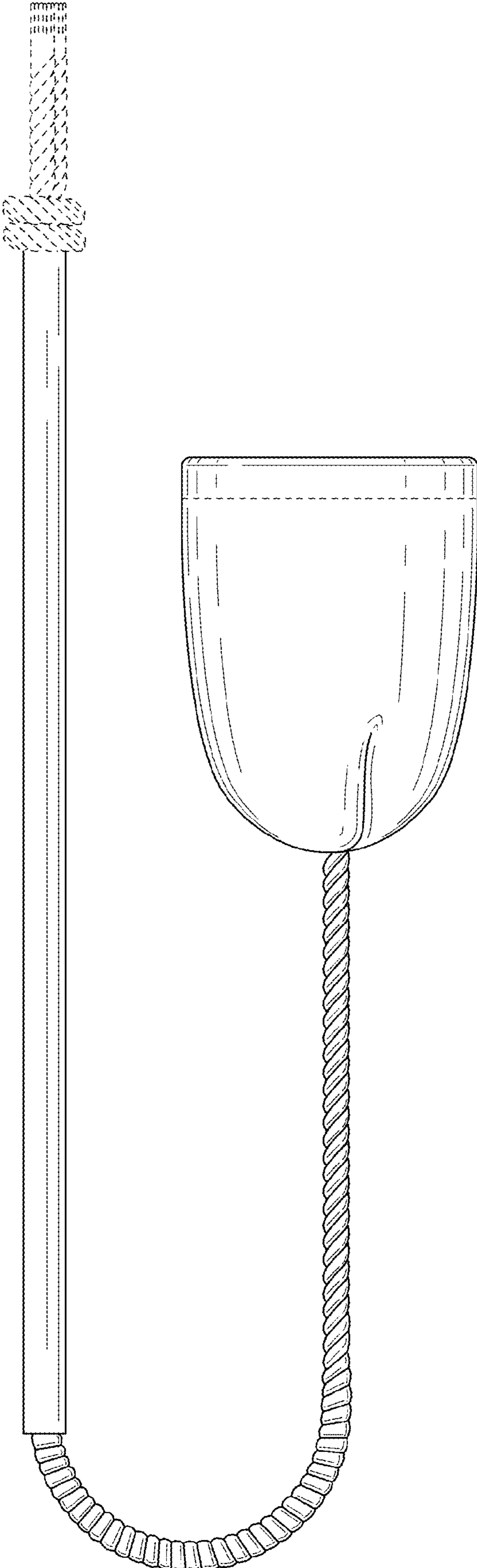


FIG. 2

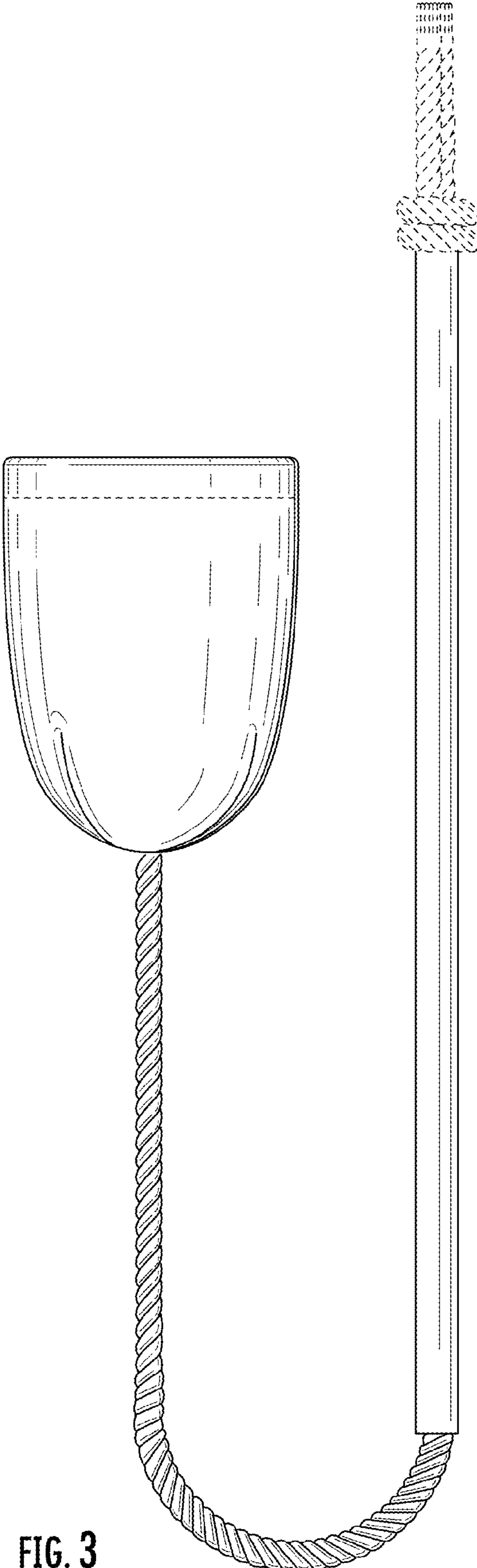


FIG. 3

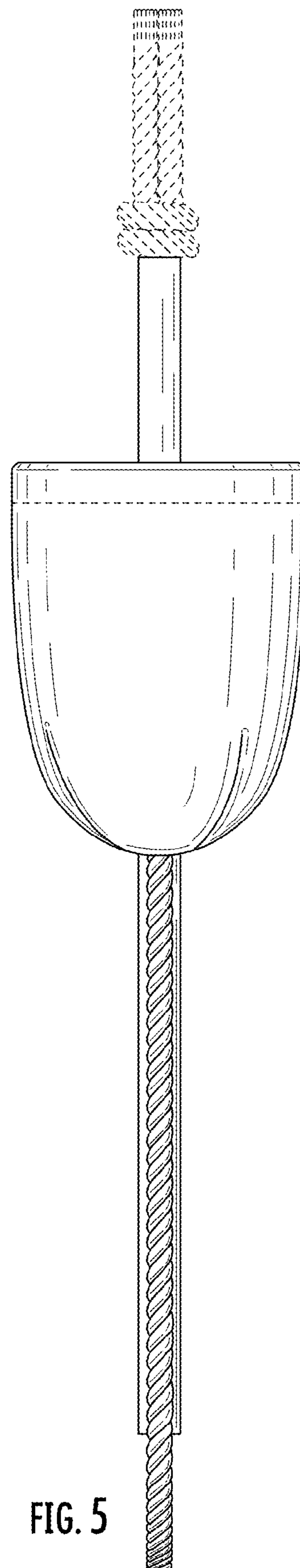
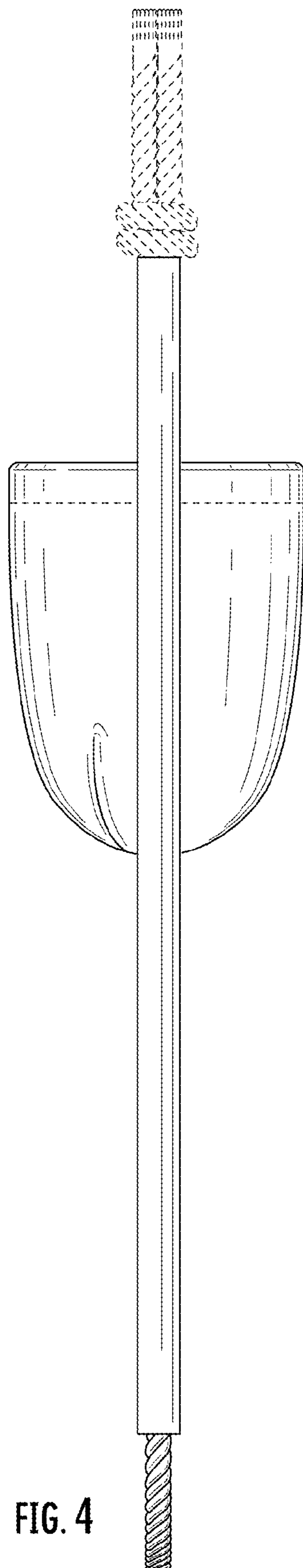


FIG. 4

FIG. 5

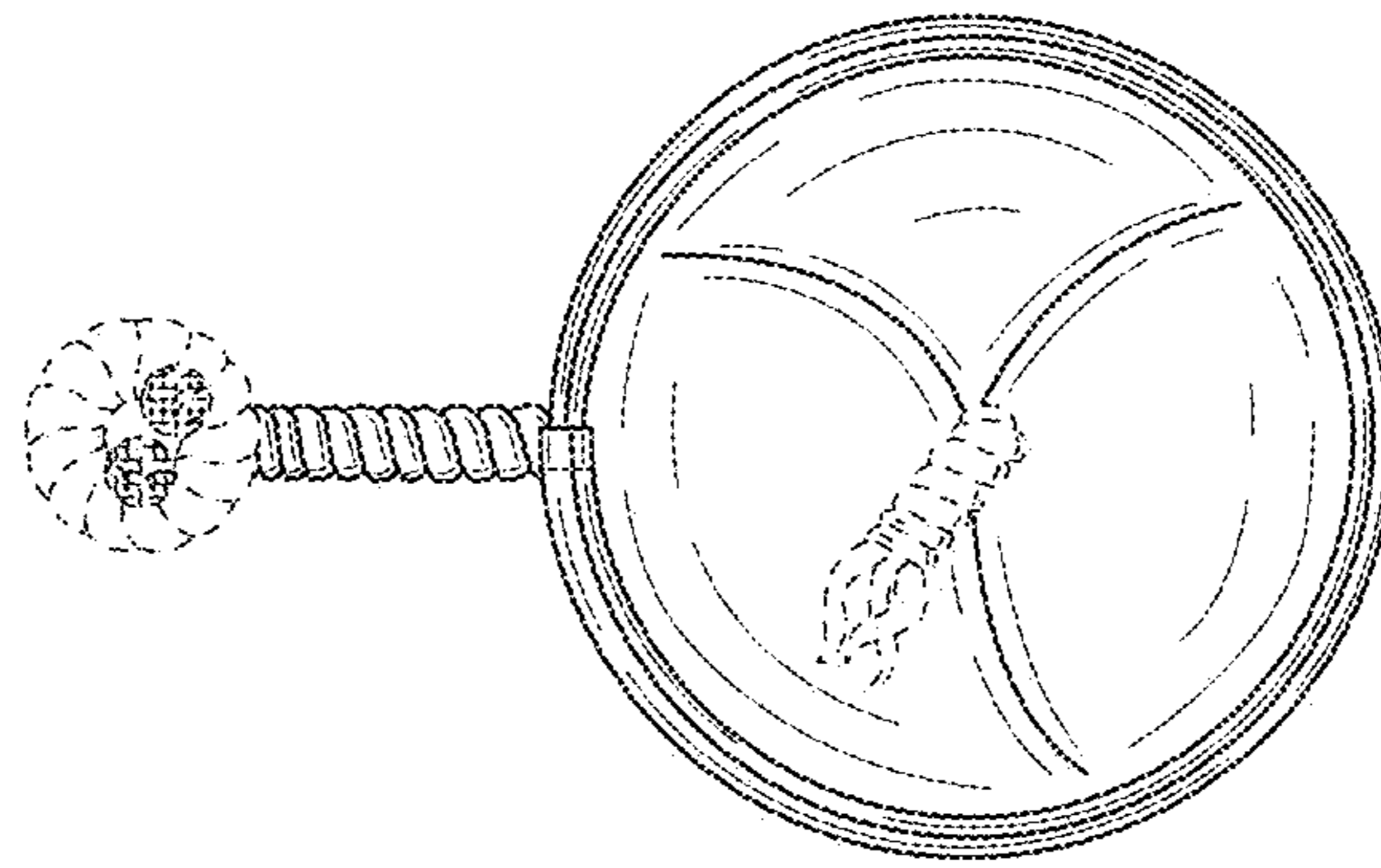


FIG. 6

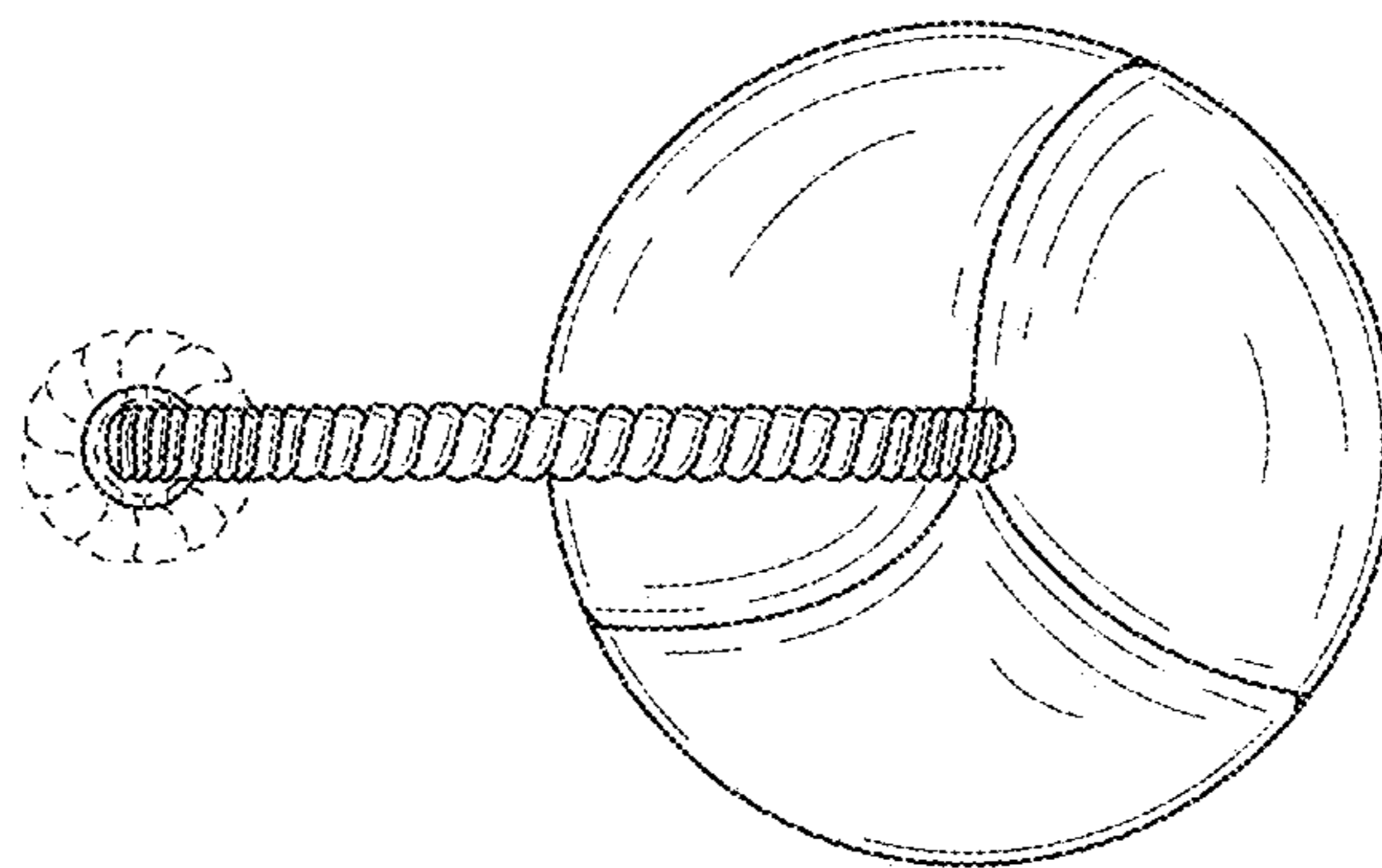


FIG. 7