



US00D922001S

(12) **United States Design Patent** (10) **Patent No.:** **US D922,001 S**
Dumont et al. (45) **Date of Patent:** **** Jun. 8, 2021**

(54) **TOOL FOR MARKING LIVESTOCK**

D502,215 S * 2/2005 Hung D19/118
D502,506 S * 3/2005 Reichmann B43K 27/08
D19/118
D852,922 S * 7/2019 Langner D22/115
D898,830 S * 10/2020 Chia D21/387

(71) Applicants: **Bertrand Dumont**, Portsmouth, RI
(US); **Leocadio Luis Villarreal Lozano**, Nuevo Leon (MX)

* cited by examiner

(72) Inventors: **Bertrand Dumont**, Portsmouth, RI
(US); **Leocadio Luis Villarreal Lozano**, Nuevo Leon (MX)

Primary Examiner — Michael C Stout
Assistant Examiner — Katrina N Gonzalez

(73) Assignee: **Cotran Corporation**, Portsmouth, RI
(US)

(74) *Attorney, Agent, or Firm* — Keeley DeAngelo LLP;
W Scott Keeley

(**) Term: **15 Years**

(57) **CLAIM**

(21) Appl. No.: **29/696,837**

The ornamental design for a tool for marking livestock, as shown and described.

(22) Filed: **Jul. 1, 2019**

DESCRIPTION

(51) **LOC (13) Cl.** **30-08**

(52) **U.S. Cl.**
USPC **D30/155**

(58) **Field of Classification Search**
USPC D30/155, 199; D19/118, 163, 901, 929
CPC B43K 27/08; B43K 27/00
See application file for complete search history.

FIG. 1 is a front, left perspective view of a tool for marking livestock of the present disclosure;
FIG. 2 is a rear perspective view thereof;
FIG. 3 is a front elevation view thereof;
FIG. 4 is a right-side elevation view thereof;
FIG. 5 is a rear elevation view thereof;
FIG. 6 is a top plan view thereof; and,
FIG. 7 a bottom plan view thereof.

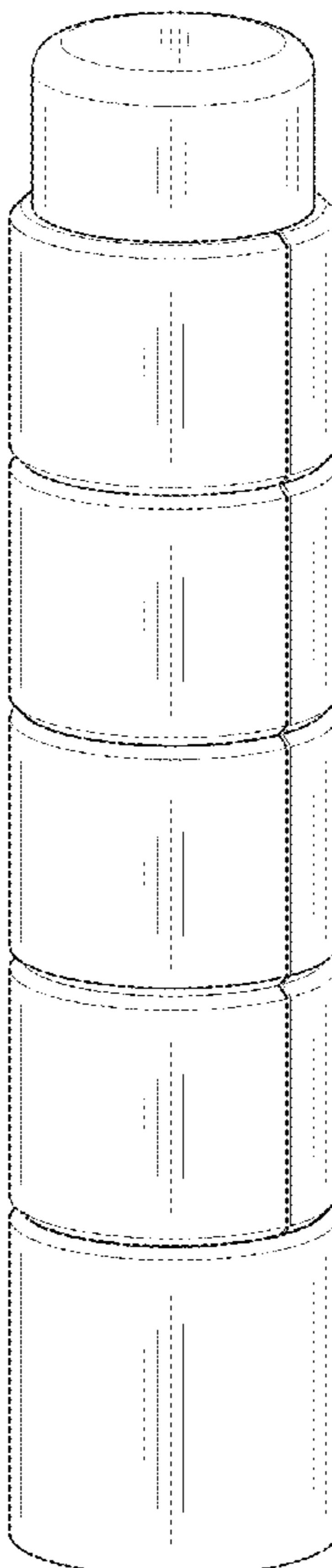
The broken lines illustrate portions of the tool for marking livestock that form no part of the claimed design.

(56) **References Cited**

U.S. PATENT DOCUMENTS

D421,626 S * 3/2000 Brock D19/203
D475,085 S * 5/2003 Whitehorn D19/118

1 Claim, 6 Drawing Sheets



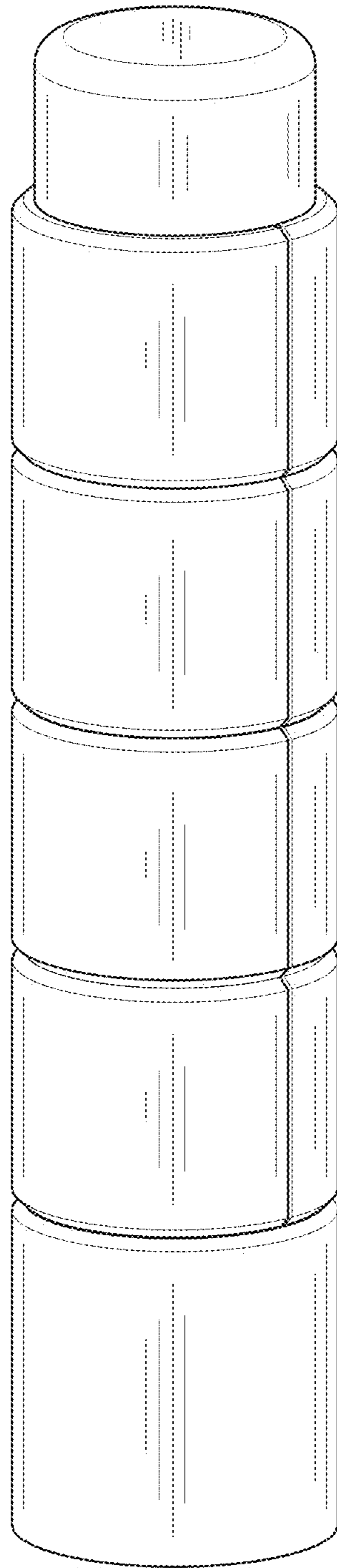


FIG. 1

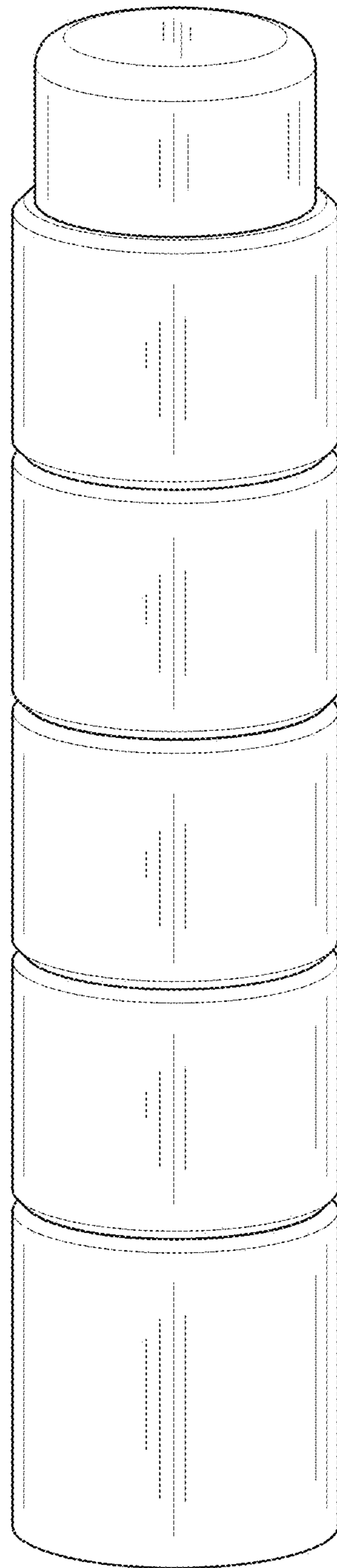


FIG. 2

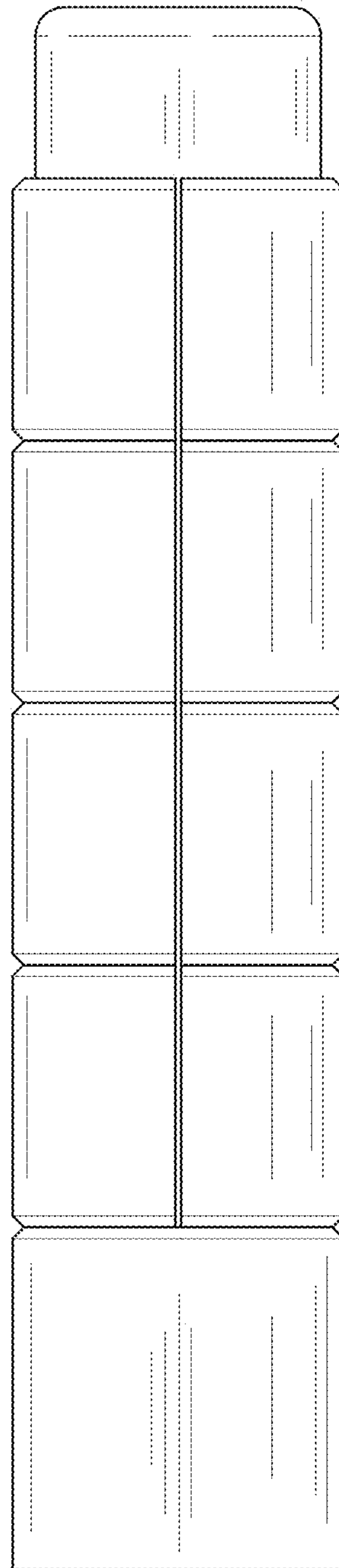


FIG. 3

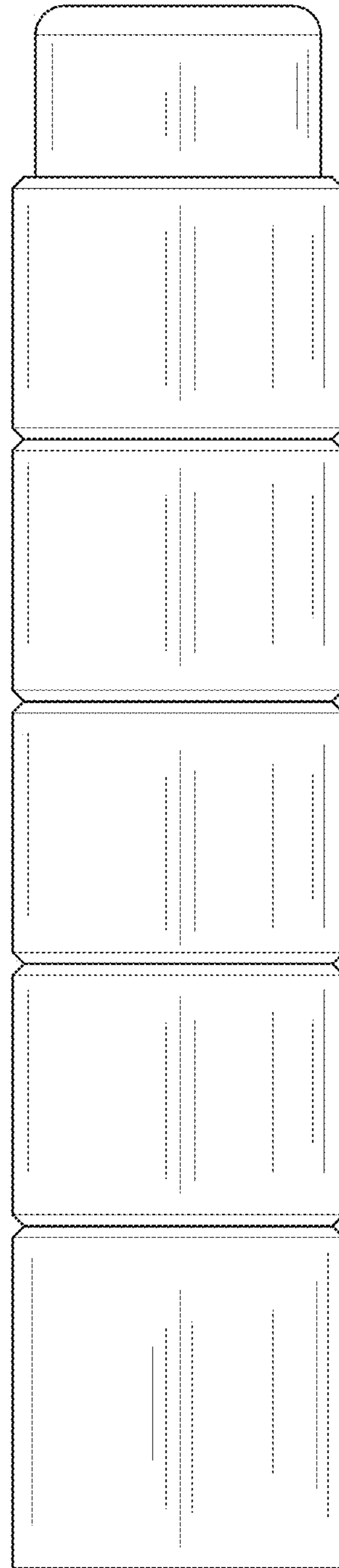


FIG. 4

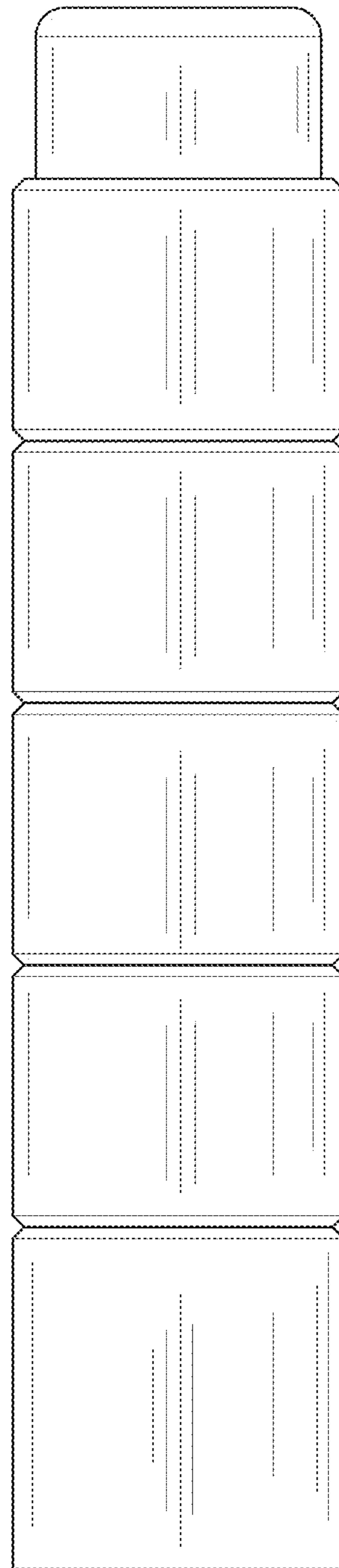


FIG. 5

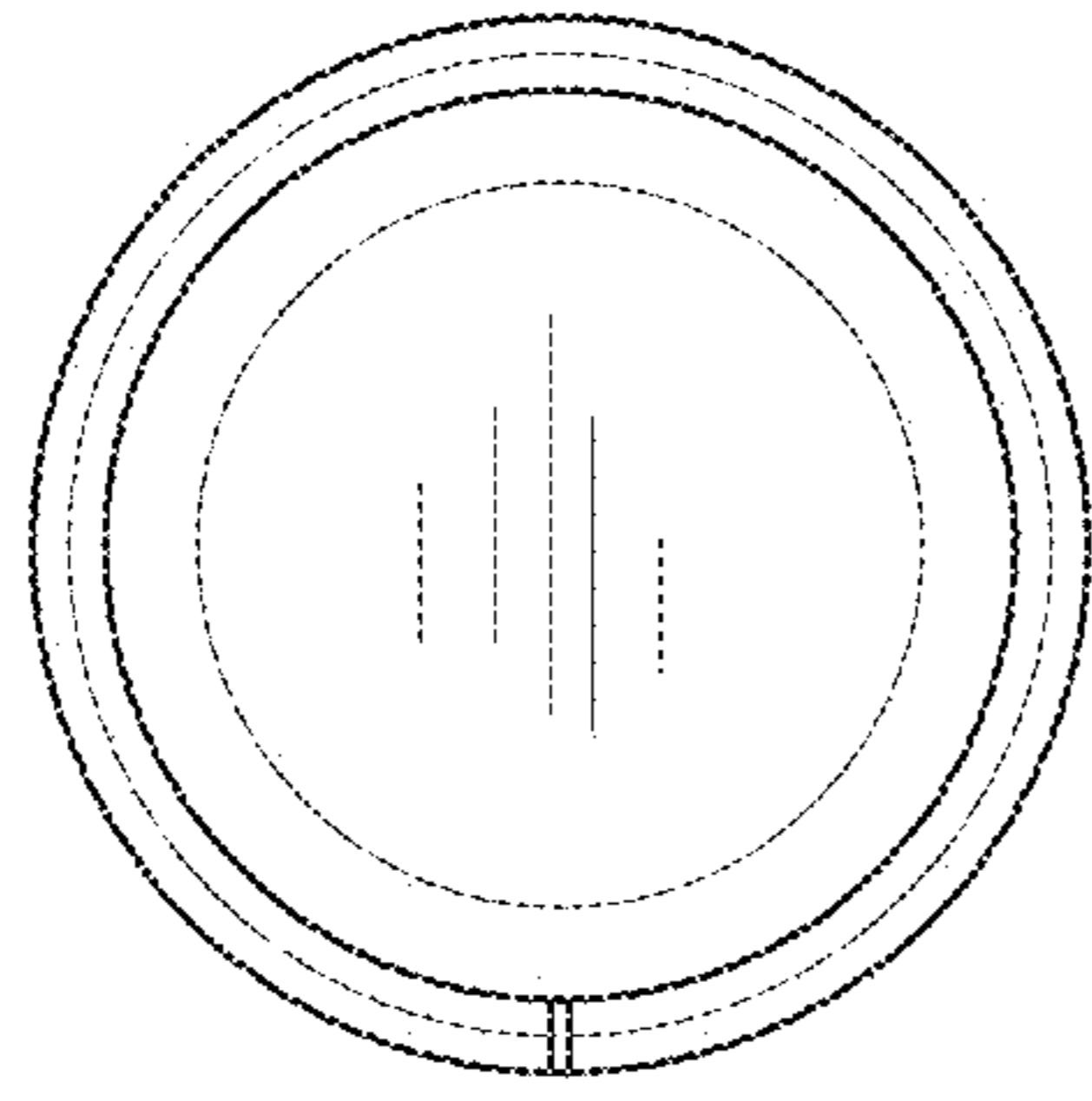


FIG. 6

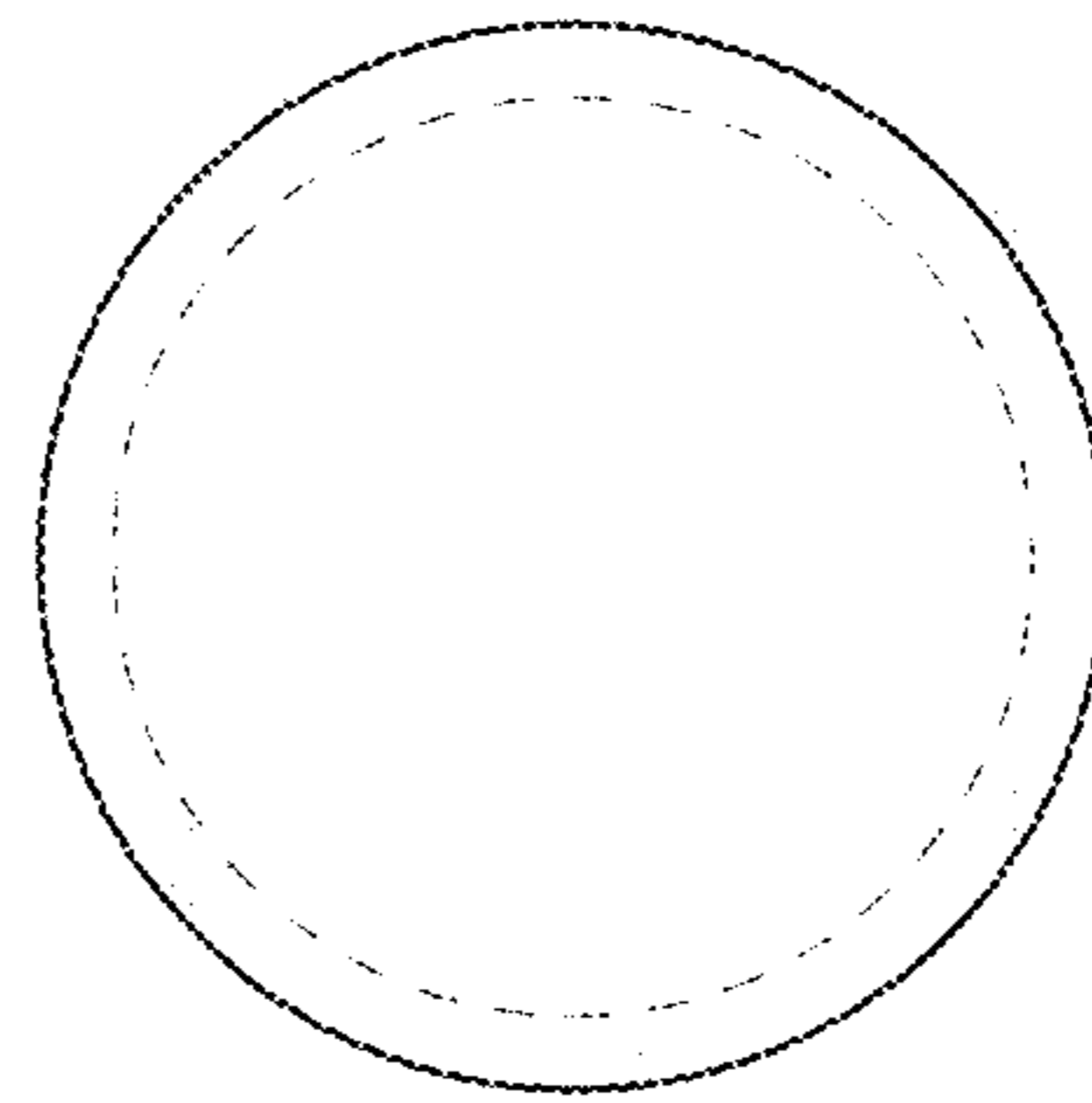


FIG. 7