



US00D922000S

(12) **United States Design Patent**
Peng

(10) **Patent No.:** **US D922,000 S**
(45) **Date of Patent:** **** Jun. 8, 2021**

(54) **PET FEEDER**

(71) Applicant: **HUIZHOU PENGSHA HOME FURNISHING TECHNOLOGY CO., LTD.**, Huizhou (CN)

(72) Inventor: **Deng Peng**, Huizhou (CN)

(73) Assignee: **HUIZHOU PENGSHA HOME FURNISHING TECHNOLOGY CO., LTD.**, Huizhou (CN)

(**) Term: **15 Years**

(21) Appl. No.: **29/774,260**

(22) Filed: **Mar. 15, 2021**

(51) **LOC (13) Cl.** **30-03**

(52) **U.S. Cl.**
USPC **D30/133; D30/121; D30/131**

(58) **Field of Classification Search**
USPC D30/133, 121, 128, 130, 132, 122, 129; 119/52.1, 55, 61.5–61.56, 51.01, 51.03, 119/59, 62, 63, 51.5, 57.8, 74, 61; D6/480–485; 248/188, 151; 312/204; 108/153.1–157, 25–26; 220/23.87, 630, 220/737, 743, 9.4, 495.01, 574, 212, 255, 220/23.83, 575; 206/515, 557, 560, 562, 206/563, 565; D7/586, 543, 550.1, 587, D7/505, 584, 545, 500, 553.1–553.8, 546, D7/555, 556, 504, 565, 562, 602, 507, D7/549, 558, 552.2, 560, 566, 548, 681; D9/429; 43/109; D22/122; 99/430, 99/DIG. 15
CPC A01K 5/00; A01K 5/01; A01K 5/0107; A01K 5/0114; A01K 5/0121; A01K 5/0128; A01K 5/0135; A01K 7/005

See application file for complete search history.

(56) **References Cited**

U.S. PATENT DOCUMENTS

D201,984 S * 8/1965 Hervey D6/569
4,976,223 A * 12/1990 Pierce A01K 5/0114
119/61.56

5,144,912 A * 9/1992 Hammett A01K 5/01
119/51.5
D331,174 S * 11/1992 Polski D7/621
5,365,860 A * 11/1994 Billington, III A47C 9/025
108/108
D358,233 S * 5/1995 Weaver D30/133
5,501,176 A * 3/1996 Tully A01K 5/0114
119/61.57
5,531,168 A * 7/1996 Towfigh A47B 17/02
108/108
5,584,263 A * 12/1996 Sexton A01K 5/0114
119/51.5
8,479,686 B2 * 7/2013 Johnson A01K 5/00
119/61.57

(Continued)

Primary Examiner — Susan Moon Lee

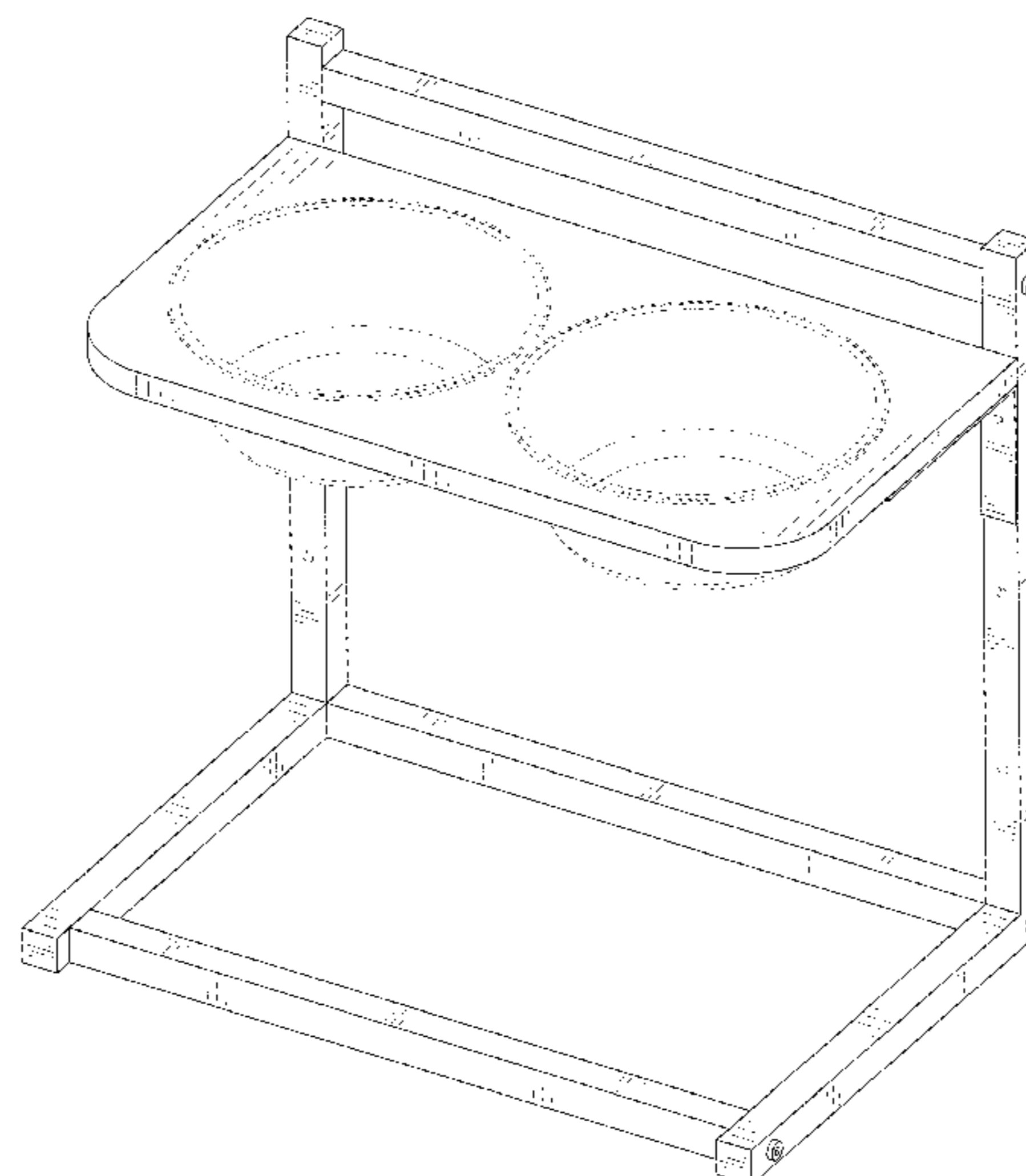
(57) **CLAIM**

The ornamental design for a pet feeder, as shown and described.

DESCRIPTION

FIG. 1 is a perspective view of a pet feeder showing my new design;
FIG. 2 is another perspective view thereof;
FIG. 3 is a front elevational view thereof;
FIG. 4 is a rear elevational view thereof;
FIG. 5 is a left side elevational view thereof;
FIG. 6 is a right side elevational view thereof;
FIG. 7 is a top plan view thereof;
FIG. 8 is a bottom plan view thereof;
FIG. 9 is a perspective view of the pet feeder where the pet feeder is in a first configuration of use; and,
FIG. 10 is a perspective view of the pet feeder where the pet feeder is in a second configuration of use.
The broken lines in the drawings depict portions of the pet feeder that form no part of the claimed design.

1 Claim, 10 Drawing Sheets



(56)

References Cited

U.S. PATENT DOCUMENTS

D695,974 S * 12/2013 Young D30/133
8,776,725 B1 * 7/2014 Grijalva A01K 5/0114
119/61.57
9,226,478 B1 * 1/2016 Uhl A01K 7/00
9,288,967 B1 * 3/2016 Wampler A01K 5/0114
D756,571 S * 5/2016 Colvin D30/133
D800,396 S * 10/2017 Coviello D30/133
D806,958 S 1/2018 Maloney
10,098,320 B2 * 10/2018 McKiness A01K 5/01
10,149,456 B2 * 12/2018 Diamond A01K 5/0114
D846,816 S * 4/2019 Tsengas A01K 7/00
D30/133
10,412,929 B2 * 9/2019 Kasper A01K 7/005
D870,398 S 12/2019 Veness
10,548,294 B1 * 2/2020 Price F16M 11/2092
D888,347 S * 6/2020 Price D30/133
D890,447 S * 7/2020 Gao D30/133
2003/0106498 A1 * 6/2003 Mersits A01K 5/0142
119/61.53
2010/0147224 A1 * 6/2010 Aletti A01K 5/0114
119/61.57
2013/0112146 A1 * 5/2013 Johnson A01K 5/00
119/51.5
2015/0308615 A1 * 10/2015 Neaves A01K 5/0114
119/61.57

* cited by examiner

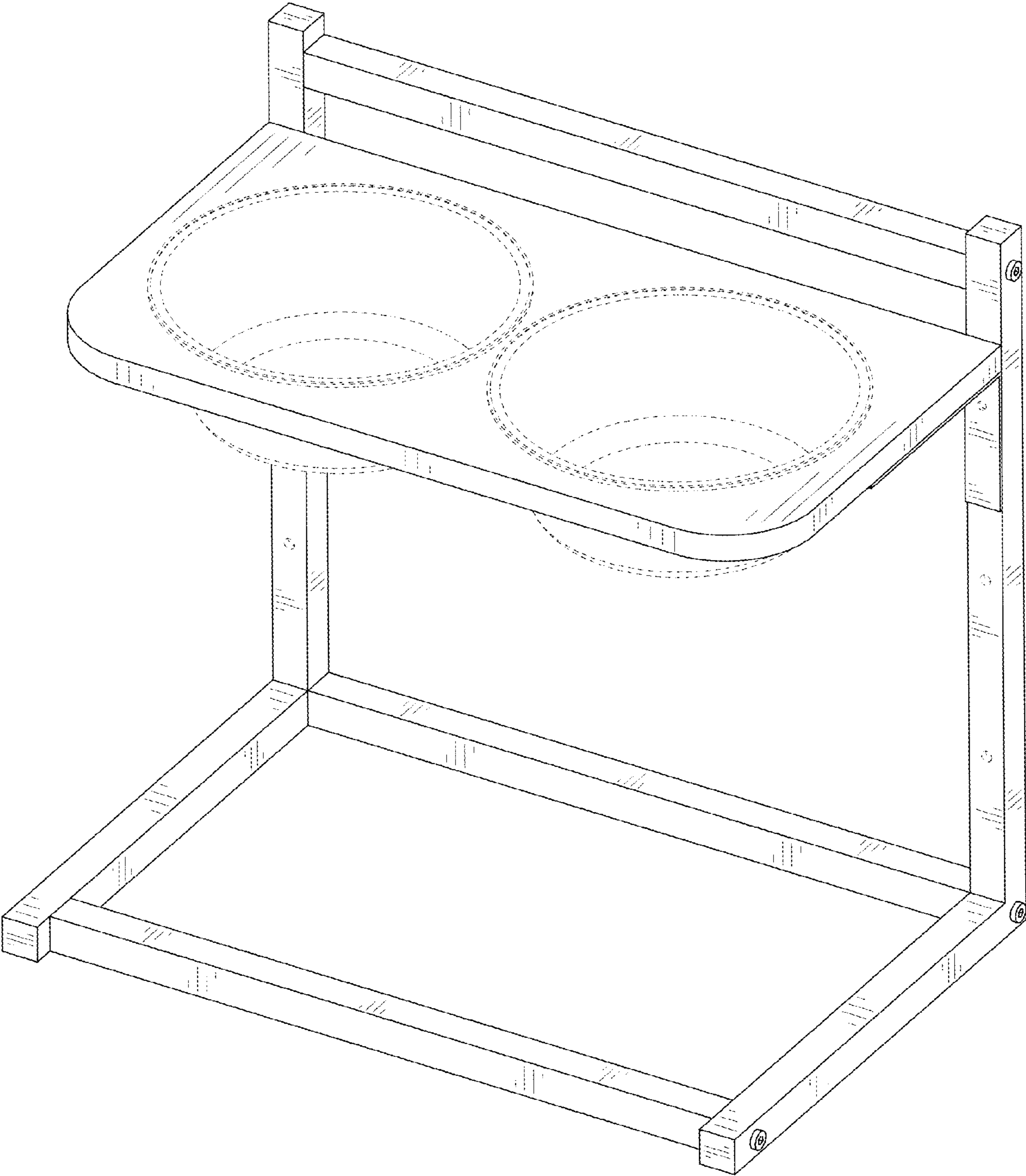


FIG. 1

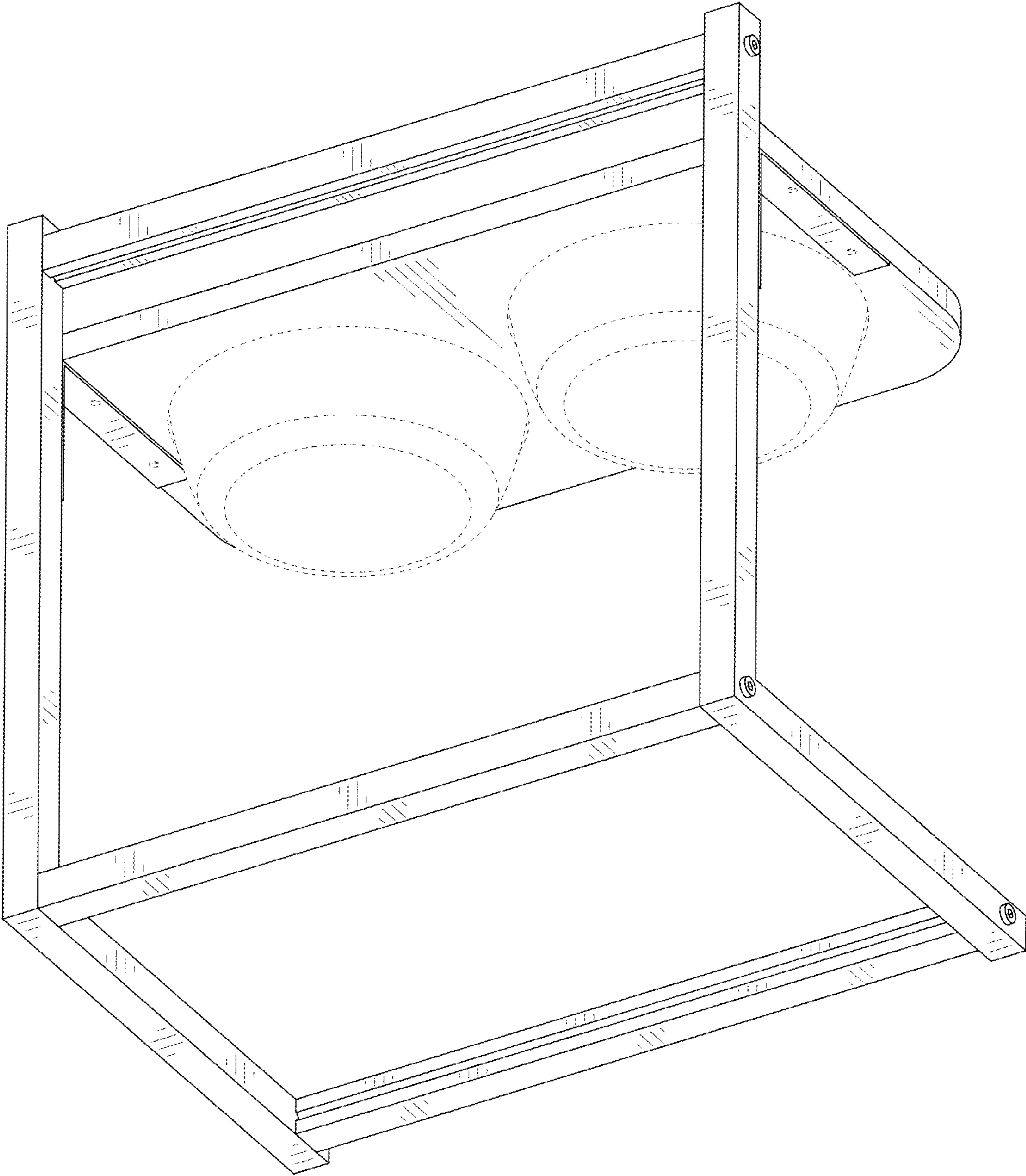


FIG. 2

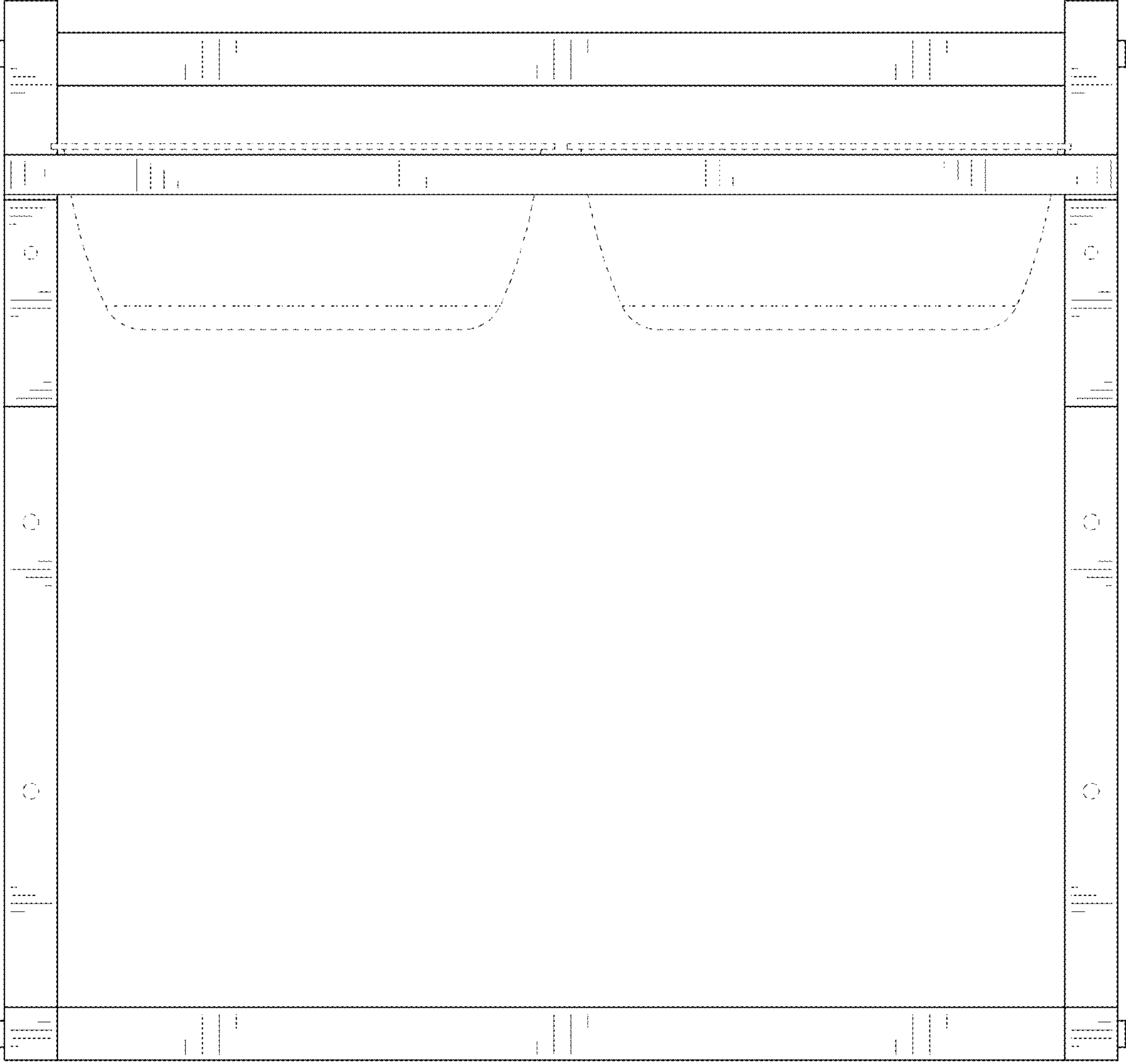


FIG. 3

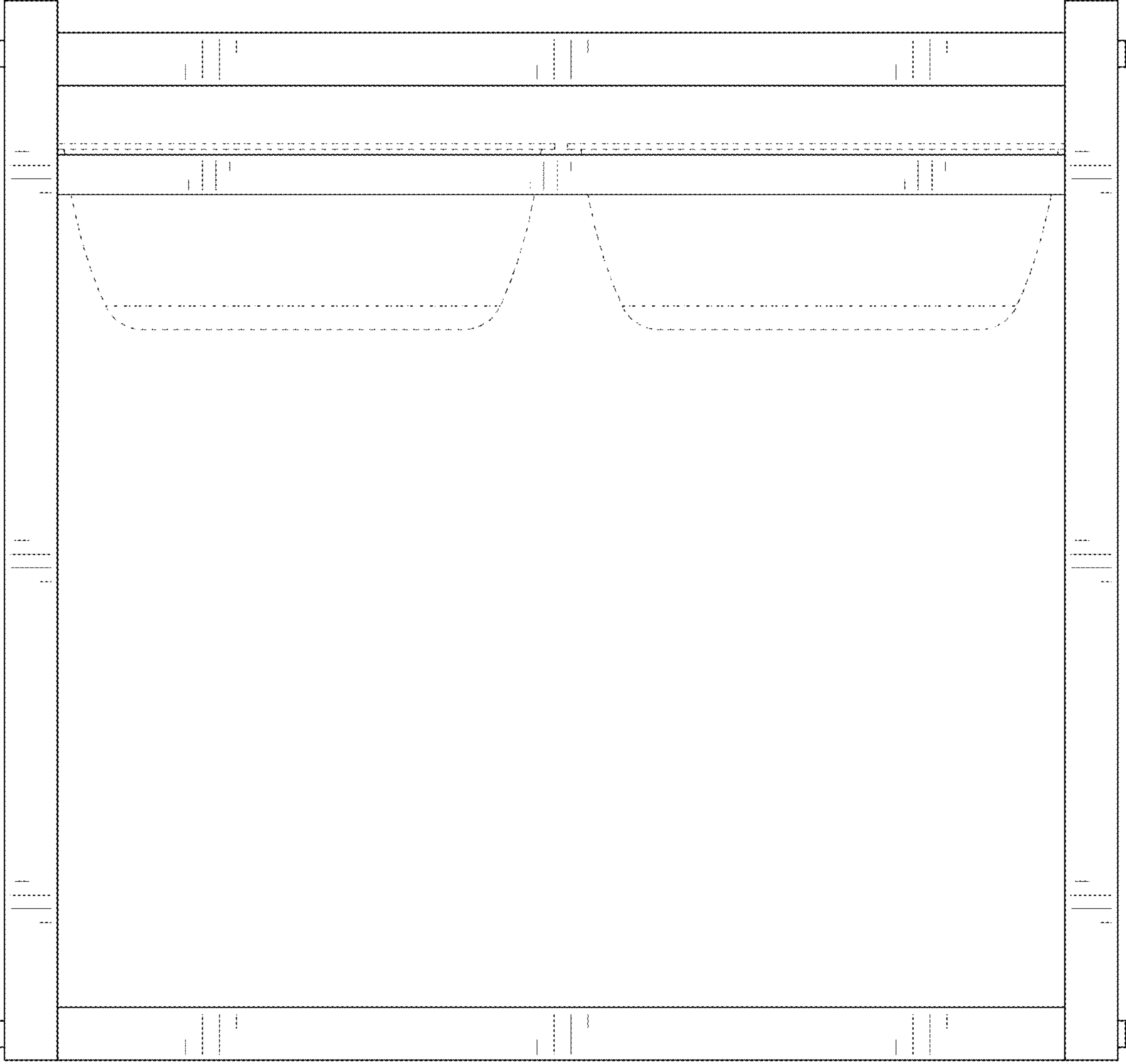


FIG. 4

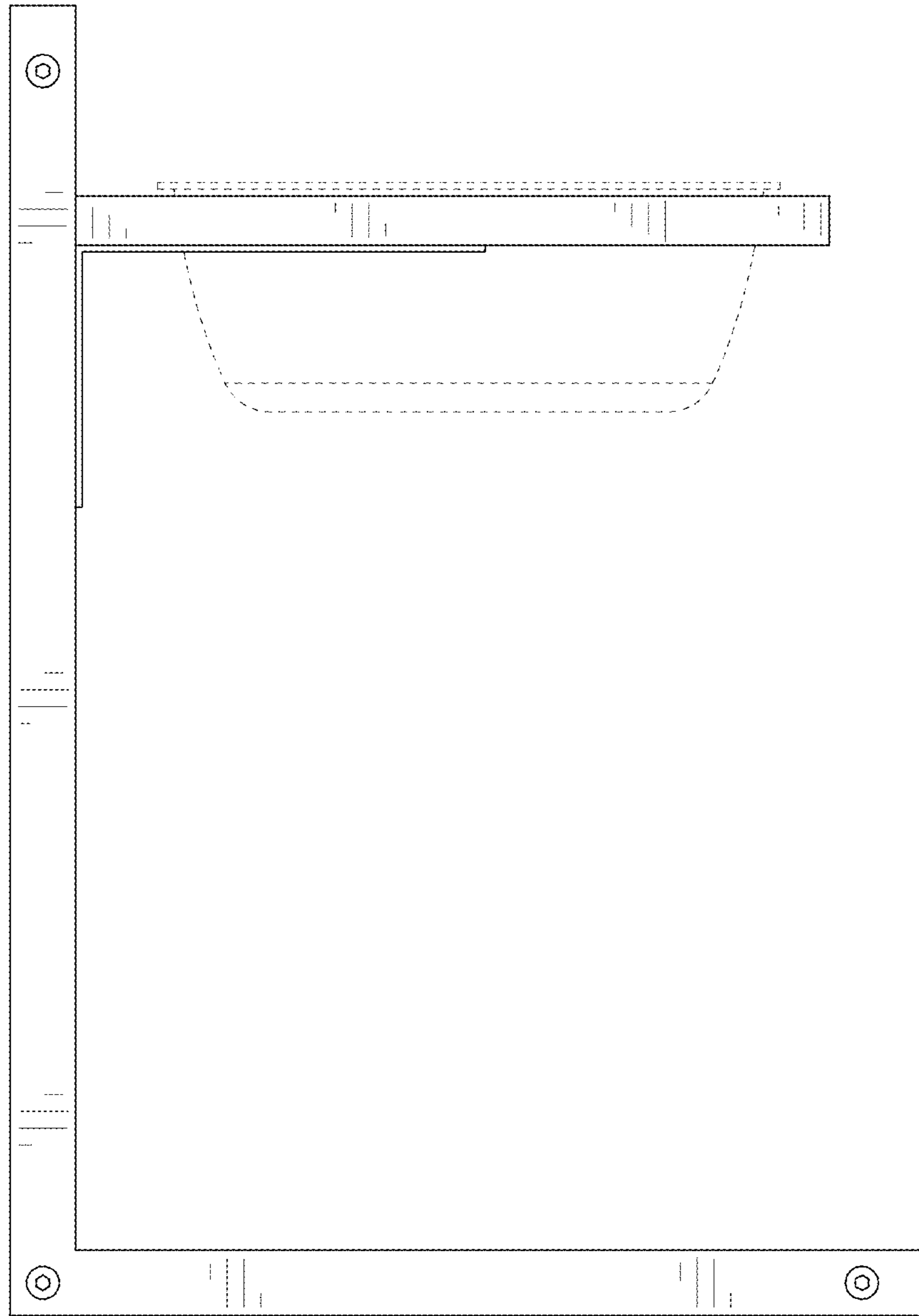


FIG. 5

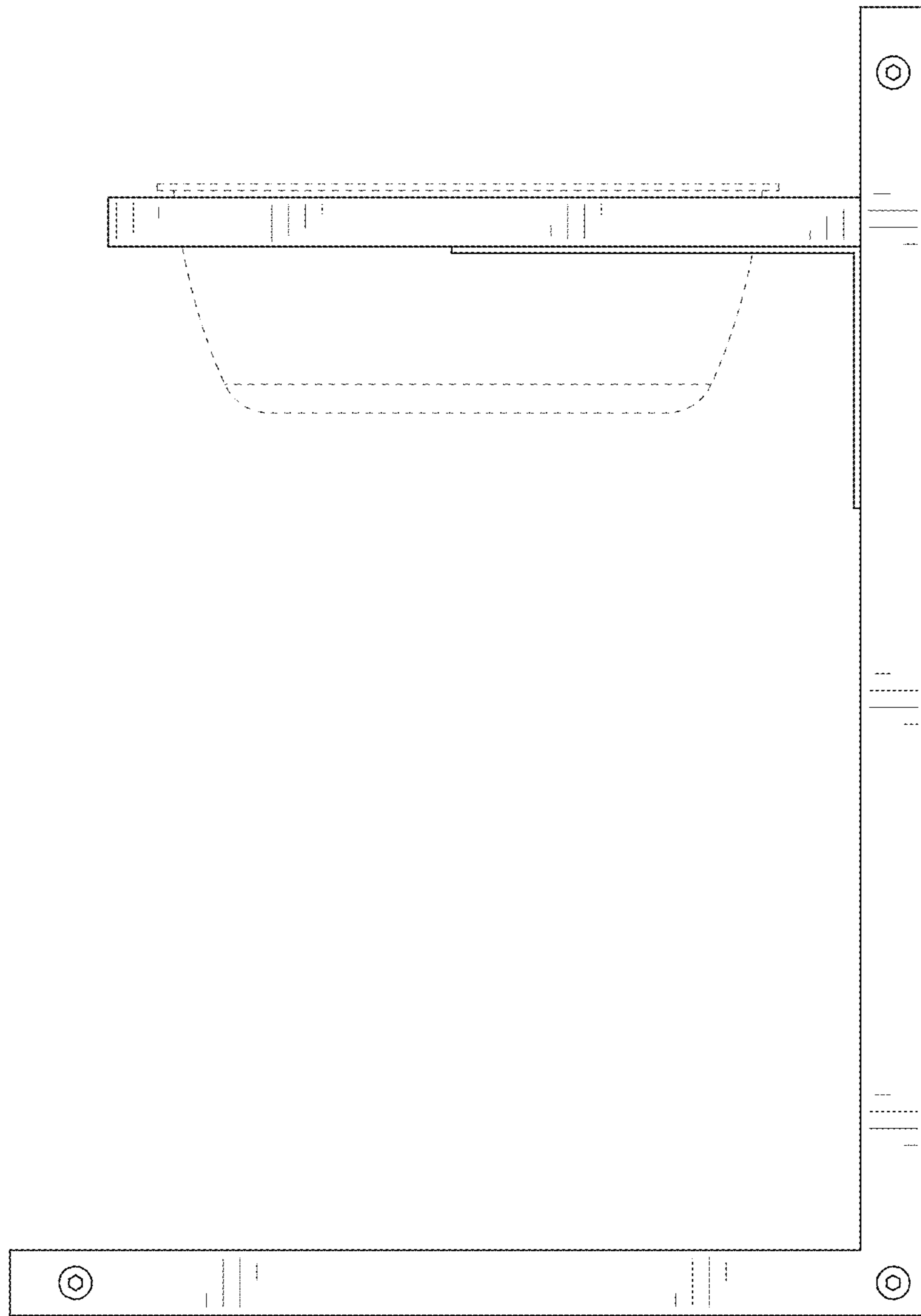


FIG. 6

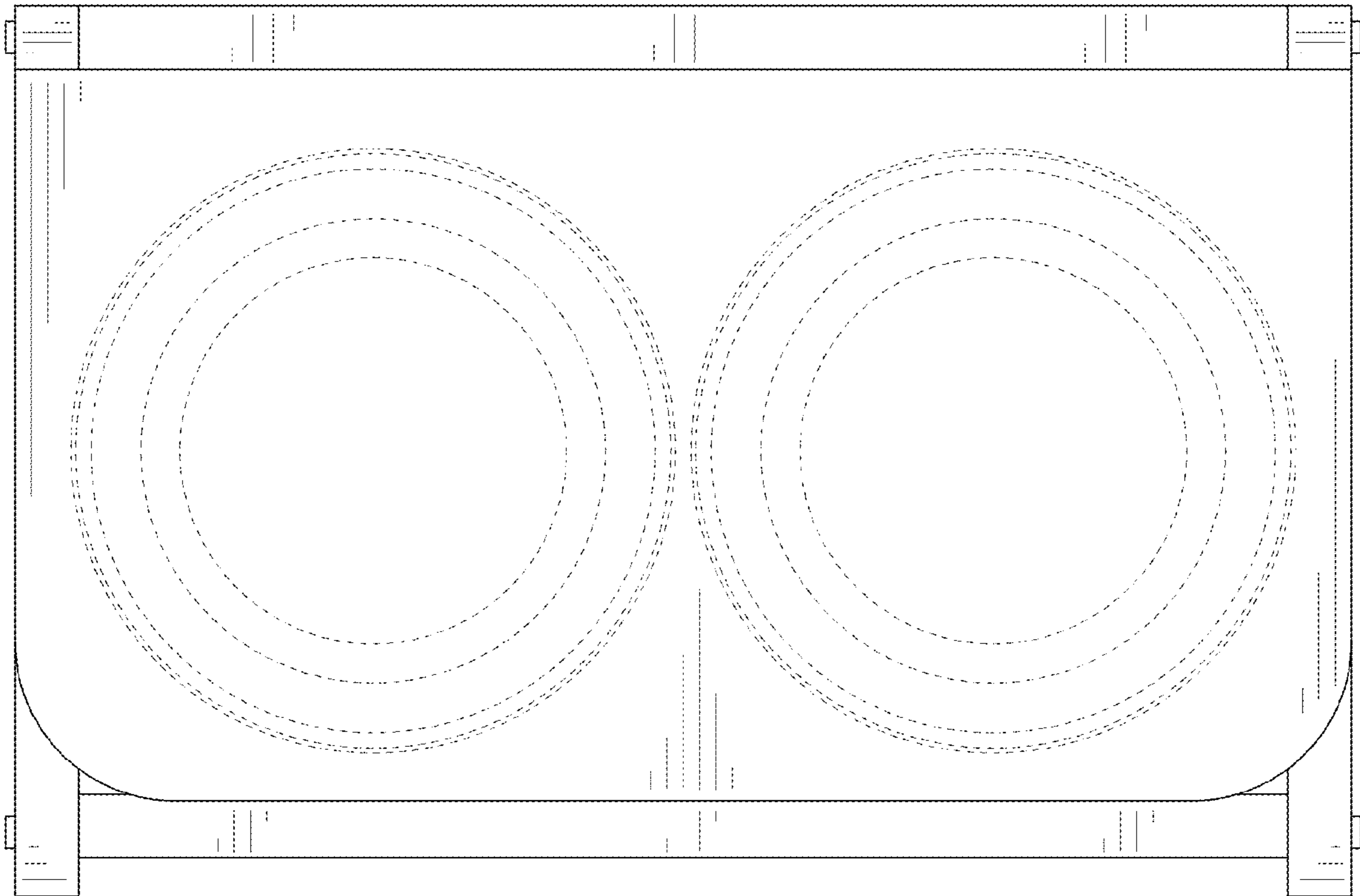


FIG. 7

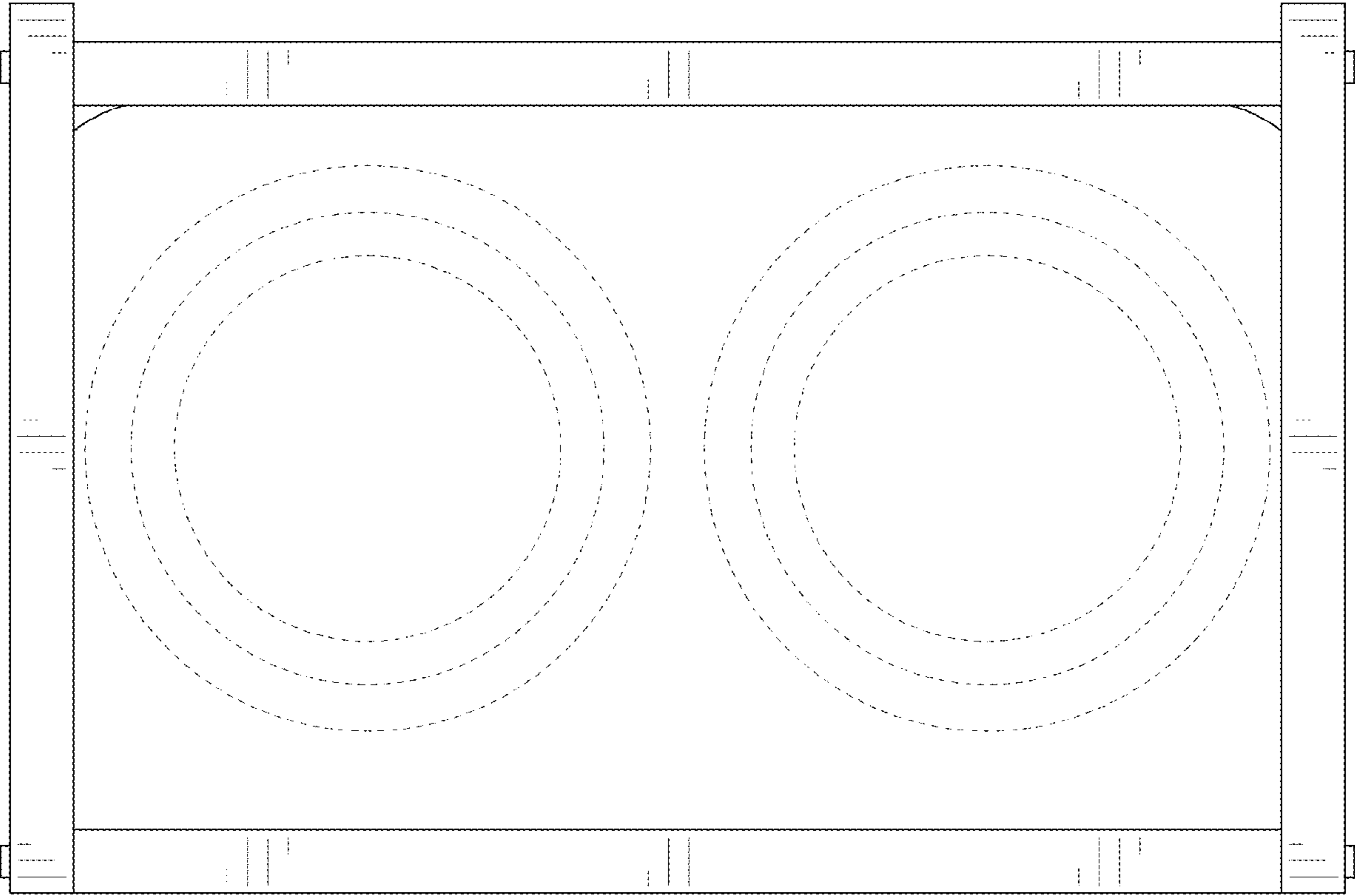


FIG. 8

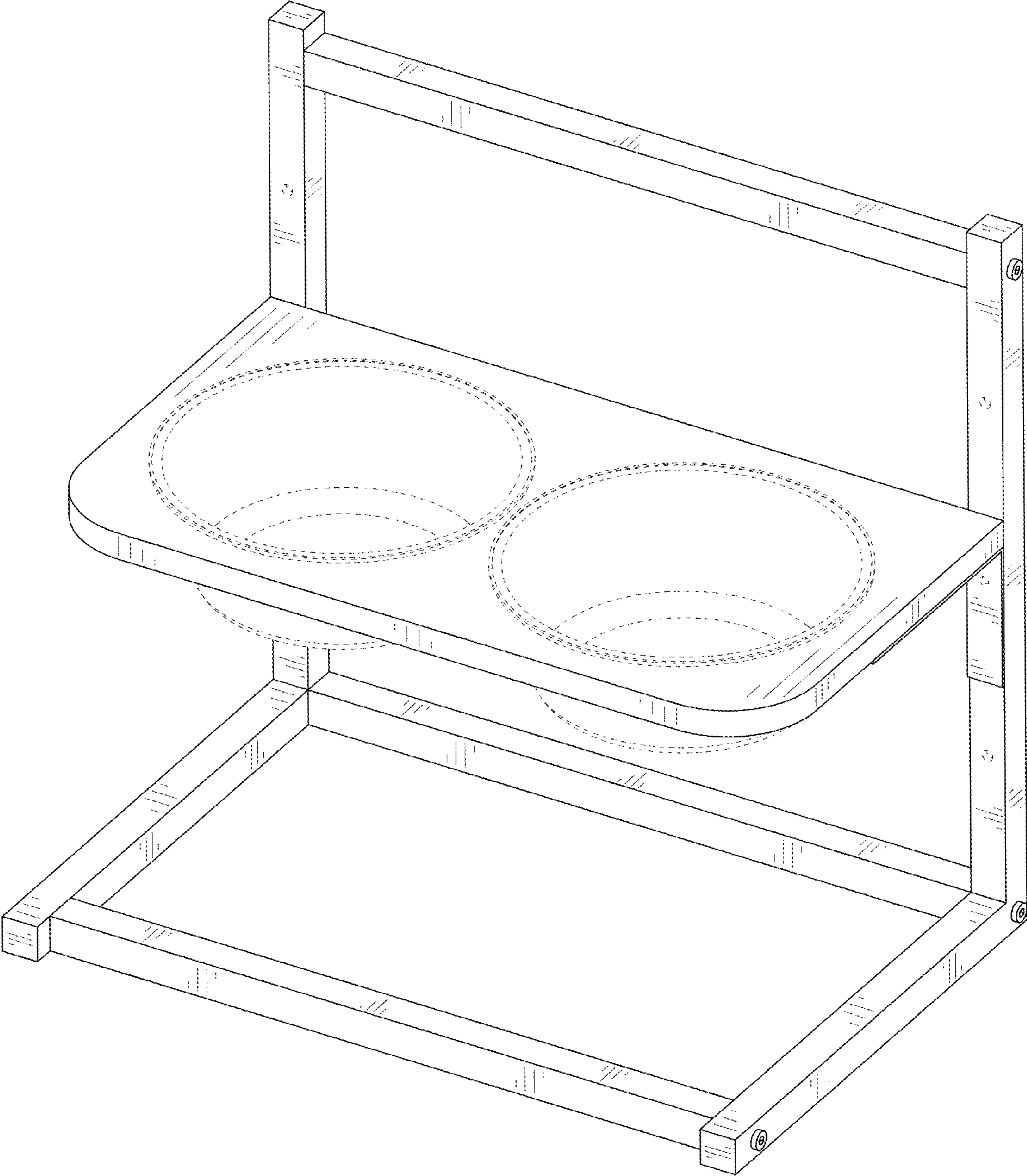


FIG. 9

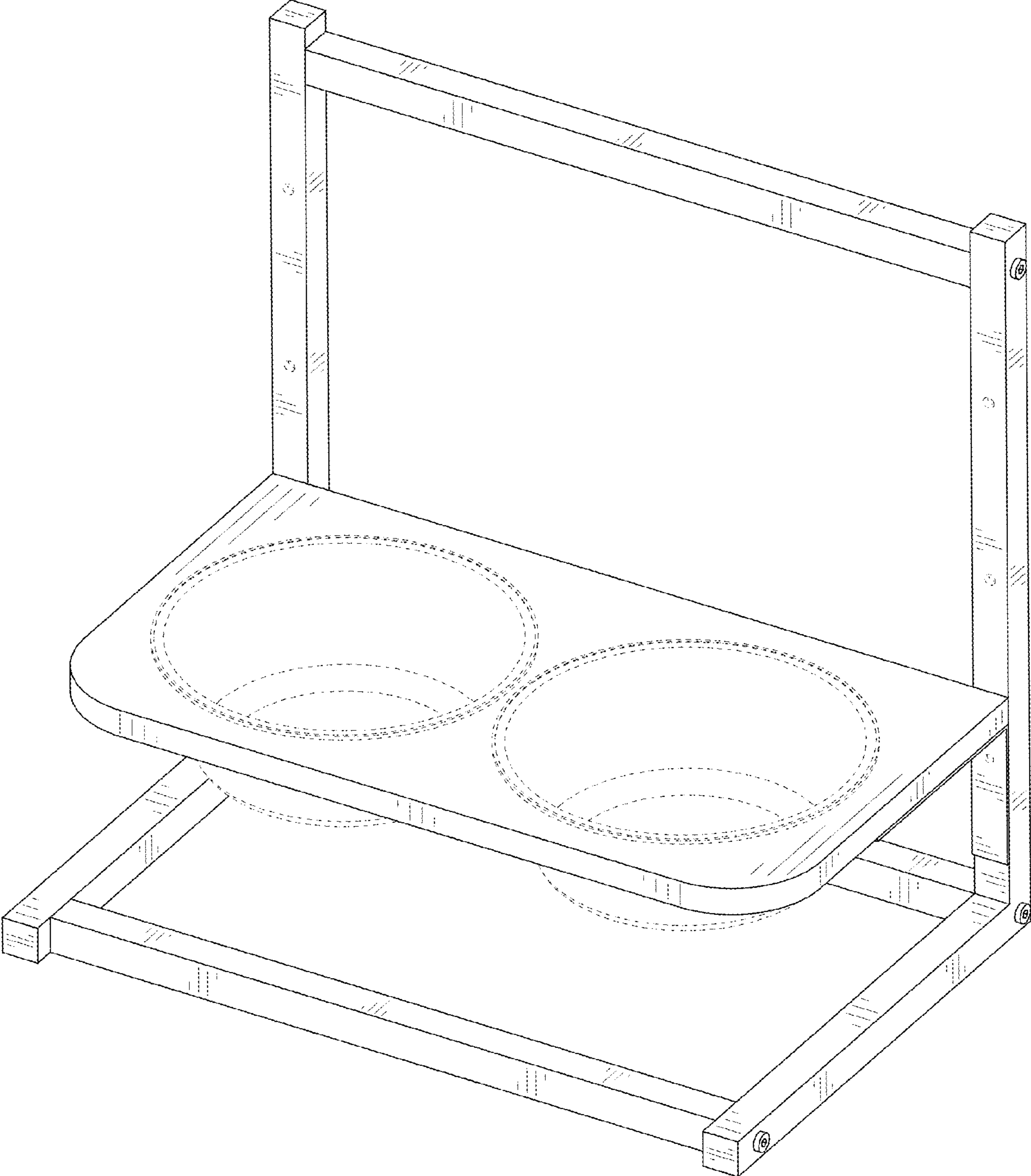


FIG. 10