



US00D921999S

(12) **United States Design Patent** (10) **Patent No.:** **US D921,999 S**
Xie (45) **Date of Patent:** **** Jun. 8, 2021**

(54) **PET FEEDER**

(71) Applicant: **Yong Xie**, Yingde (CN)

(72) Inventor: **Yong Xie**, Yingde (CN)

(**) Term: **15 Years**

(21) Appl. No.: **29/768,380**

(22) Filed: **Jan. 29, 2021**

(51) **LOC (13) Cl.** **30-03**

(52) **U.S. Cl.**

USPC **D30/130**; D30/121; D30/131; D30/133

(58) **Field of Classification Search**

USPC D30/133, 121, 128, 130, 132, 122, 129;
119/52.1, 55, 61.5–61.56, 51.01, 51.03,
119/59, 62, 63, 51.5, 57.8, 74, 61;
D6/480–485; 248/188, 151; 312/204;
108/153.1–157, 25–26; 220/23.87, 630,
220/737, 743, 9.4, 495.01, 574, 212, 255,
220/23.83, 57, 5; 206/515, 557, 560,
206/562, 563, 565; D7/586, 543, 550.1,
D7/587, 505, 584, 545, 500, 553.1–553.8,
D7/546, 555, 556, 504, 565, 562, 602,
D7/507, 549, 558, 552.2, 560, 566, 548,
D7/681; D9/429; 43/109; D22/122;
99/430, DIG. 15

CPC A01K 5/00; A01K 5/01; A01K 5/0107;
A01K 5/0114; A01K 5/0121; A01K
5/0128; A01K 5/0135; A01K 7/005

See application file for complete search history.

(56) **References Cited**

U.S. PATENT DOCUMENTS

D105,450 S * 7/1937 Clifton D30/130
D209,677 S * 12/1967 Robert D30/133
D209,678 S * 12/1967 Robert D30/133
D217,360 S * 4/1970 Robert D30/133
D229,073 S * 11/1973 Brickel D30/130

D230,033 S * 1/1974 Goldman et al. D30/130
D269,045 S * 5/1983 Easton D30/130
D353,232 S * 12/1994 Chrisco D30/130
D385,068 S * 10/1997 Malcolm D30/130
D425,262 S * 5/2000 Scott D30/130
D467,045 S 12/2002 Tsengas
D478,693 S * 8/2003 Steinbacher D30/130
D486,273 S * 2/2004 Tsengas D30/130
D486,274 S * 2/2004 Tsengas D30/130
D504,197 S * 4/2005 Huthmaker D30/129
D558,931 S * 1/2008 Hood D30/130
D592,813 S * 5/2009 Newsome D30/129
D622,013 S * 8/2010 Aho D30/133
D646,441 S * 10/2011 Chance D30/133
D646,442 S * 10/2011 Chance D30/133
D653,000 S * 1/2012 Rutherford D30/130
D659,297 S * 5/2012 Stygstra D30/130
D664,308 S * 7/2012 Crystal D30/130
D669,231 S * 10/2012 Chance D30/133
D670,041 S * 10/2012 Chance D30/129
D724,276 S * 3/2015 Zelinger D30/130
D758,675 S * 6/2016 Breit D30/130
D782,128 S * 3/2017 Wechsler D30/130
D802,853 S * 11/2017 MacNeil D30/133

(Continued)

Primary Examiner — Susan Moon Lee

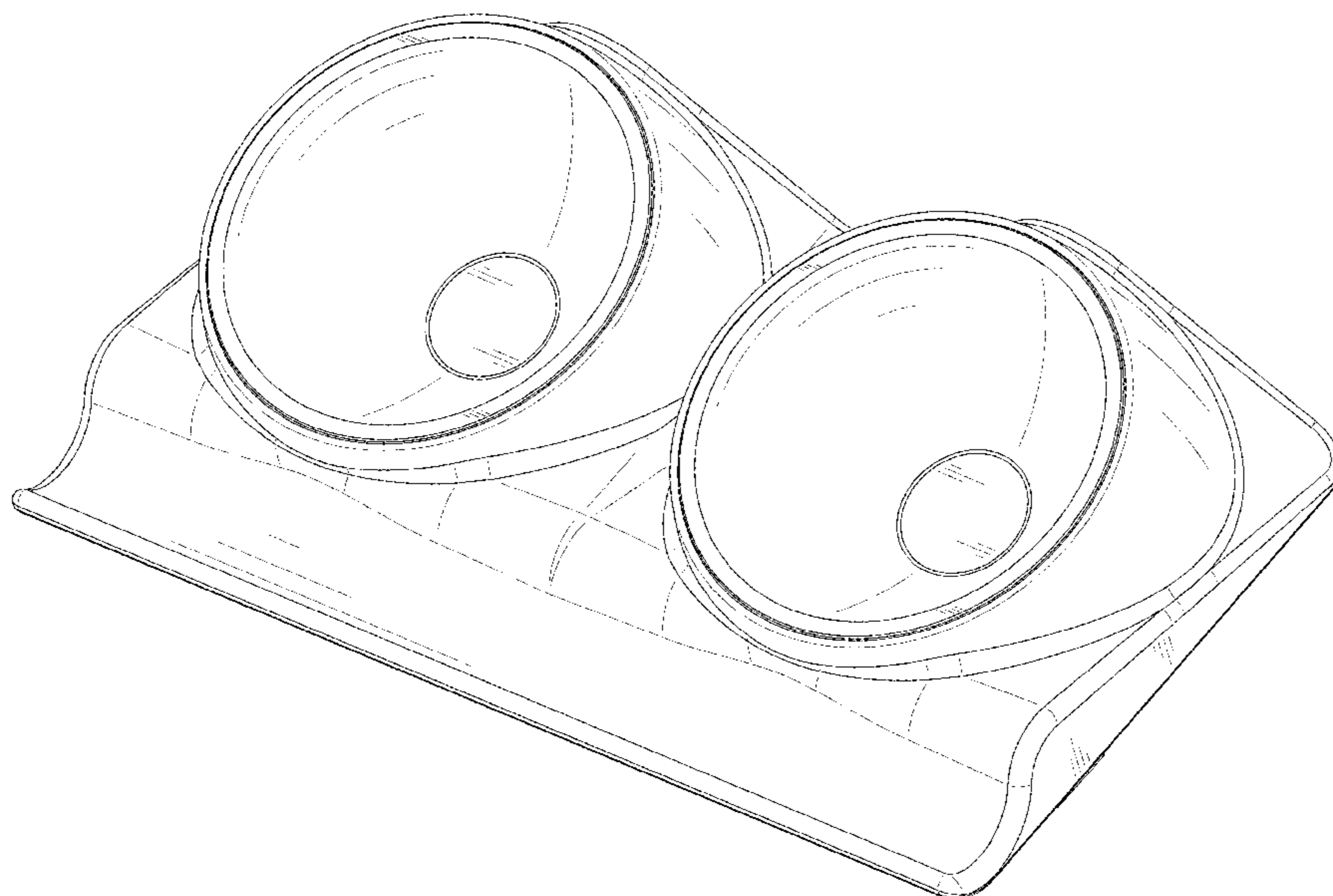
(57) **CLAIM**

The ornamental design for a pet feeder, as shown and described.

DESCRIPTION

FIG. 1 is a perspective view of a pet feeder showing my new design;
FIG. 2 is another perspective view thereof;
FIG. 3 is a front elevational view thereof;
FIG. 4 is a rear elevational view thereof;
FIG. 5 is a left side elevational view thereof;
FIG. 6 is a right side elevational view thereof;
FIG. 7 is a top plan view thereof; and,
FIG. 8 is a bottom plan view thereof.

1 Claim, 8 Drawing Sheets



(56)

References Cited

U.S. PATENT DOCUMENTS

D811,666	S	*	2/2018	Lopez	D30/133
D813,469	S	*	3/2018	Conley	D30/133
D830,646	S	*	10/2018	Kerr	D30/129
D830,647	S		10/2018	Le		
10,321,662	B2	*	6/2019	Conley	A01K 5/0135
10,349,623	B1	*	7/2019	Stygstra	A01K 5/00
D872,380	S	*	1/2020	Liu	D30/129
D873,502	S	*	1/2020	MacNeil	D30/130
D873,503	S	*	1/2020	MacNeil	D30/133
D882,882	S	*	4/2020	MacNeil	D30/133
D891,005	S	*	7/2020	Liu	D30/129
D891,006	S	*	7/2020	Ma	D30/129
D907,307	S	*	1/2021	Lan	D30/130
D915,687	S	*	4/2021	Fan	D30/130

* cited by examiner

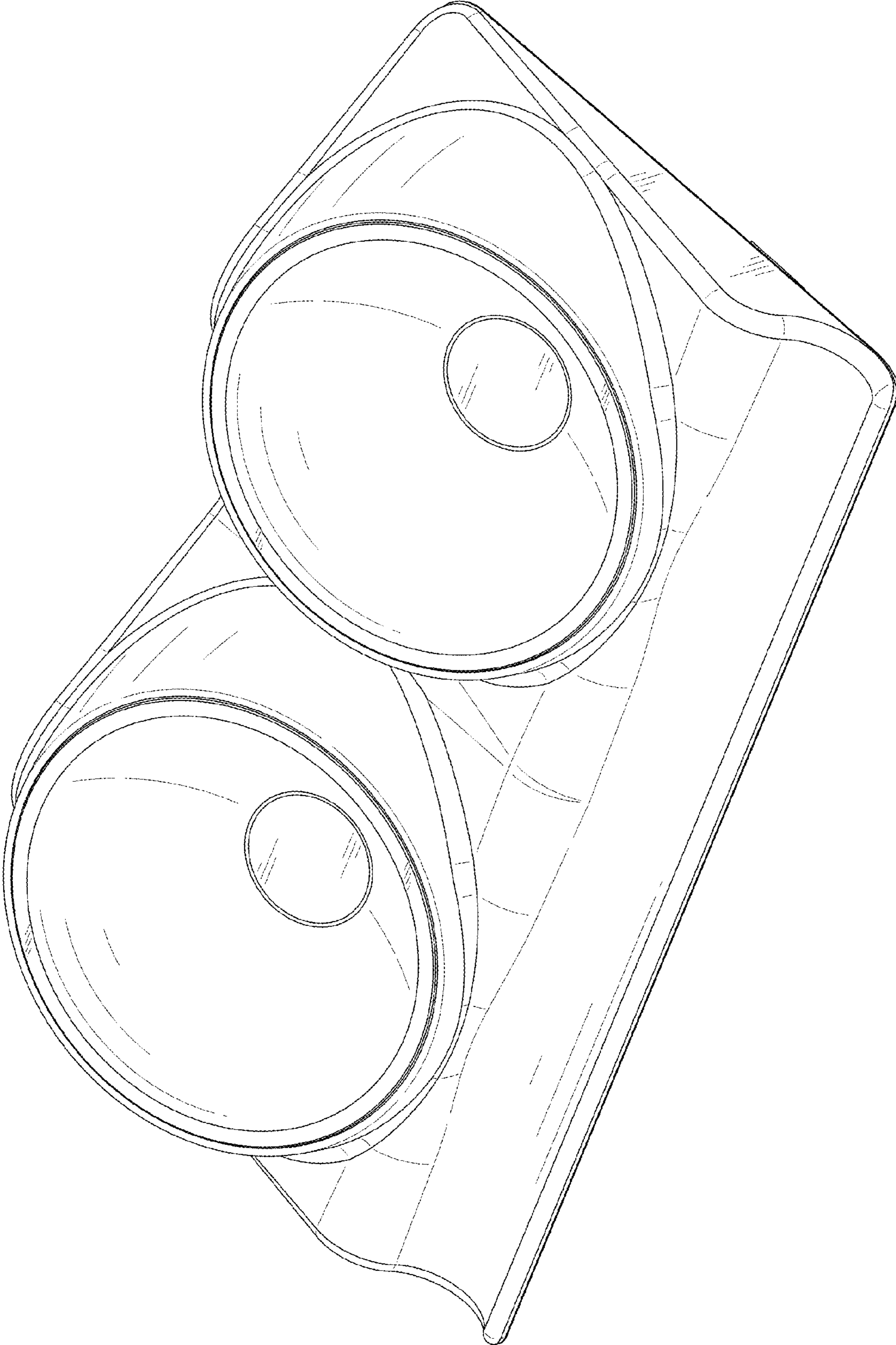


FIG. 1

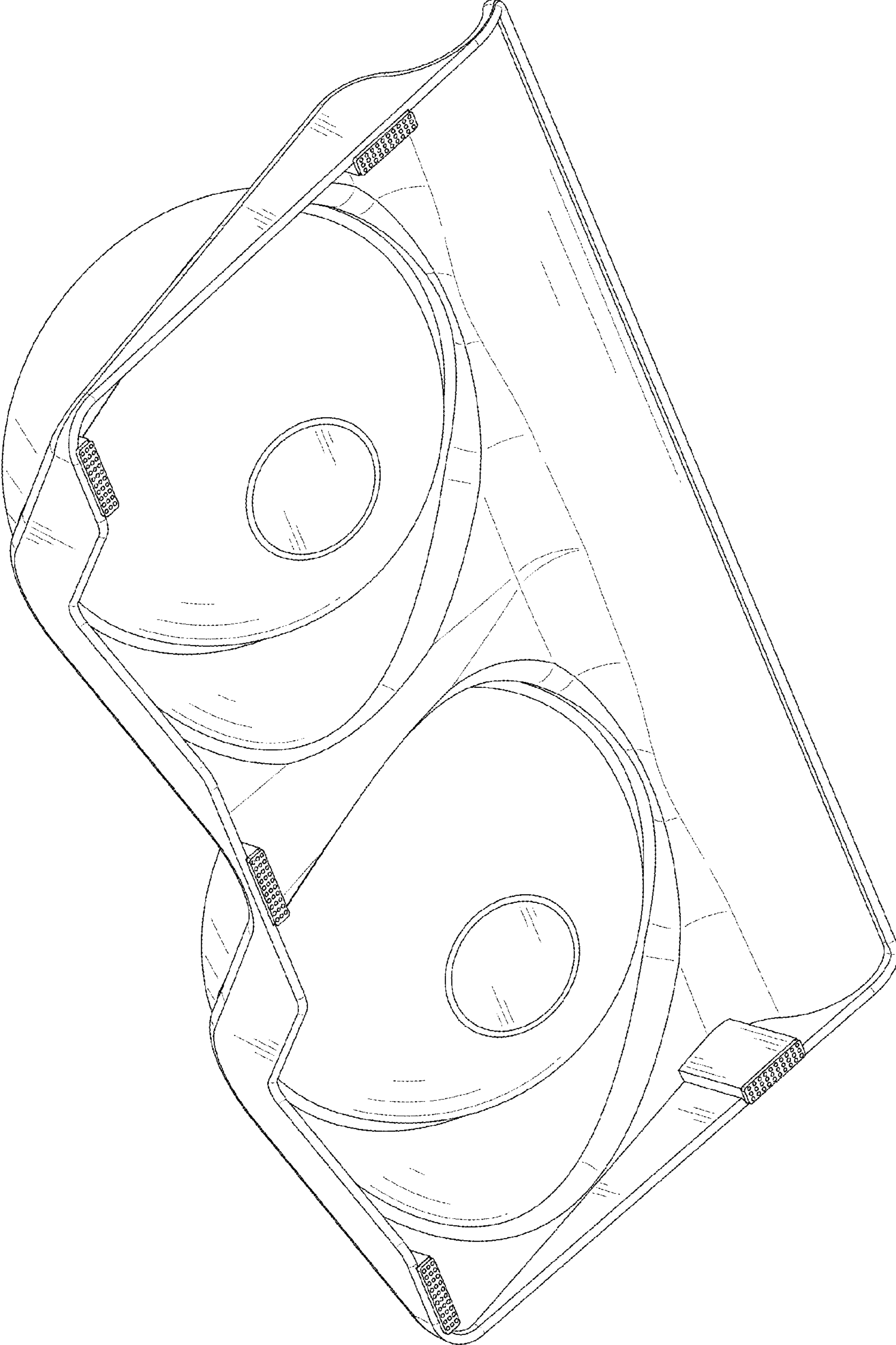


FIG. 2

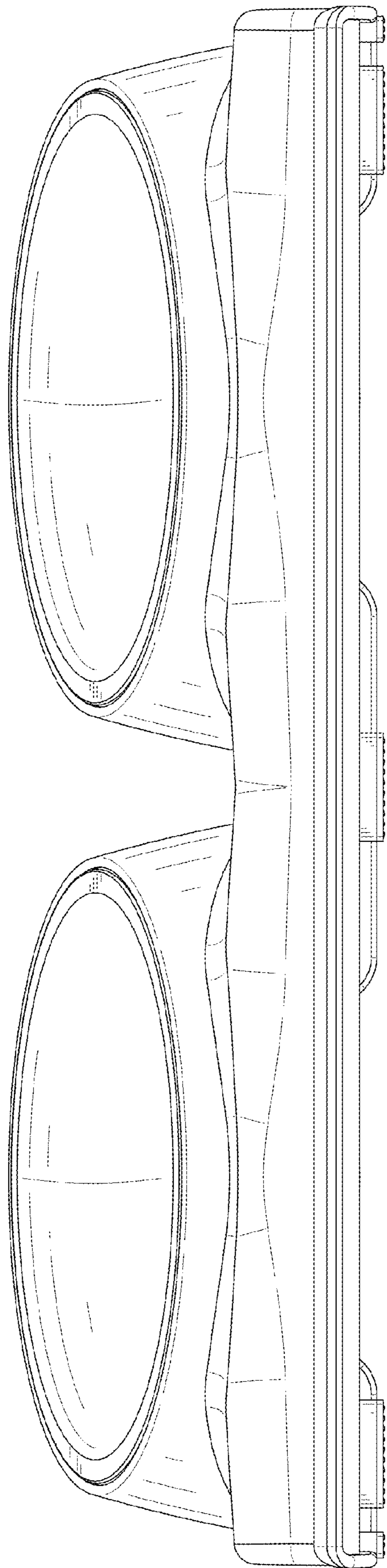


FIG. 3

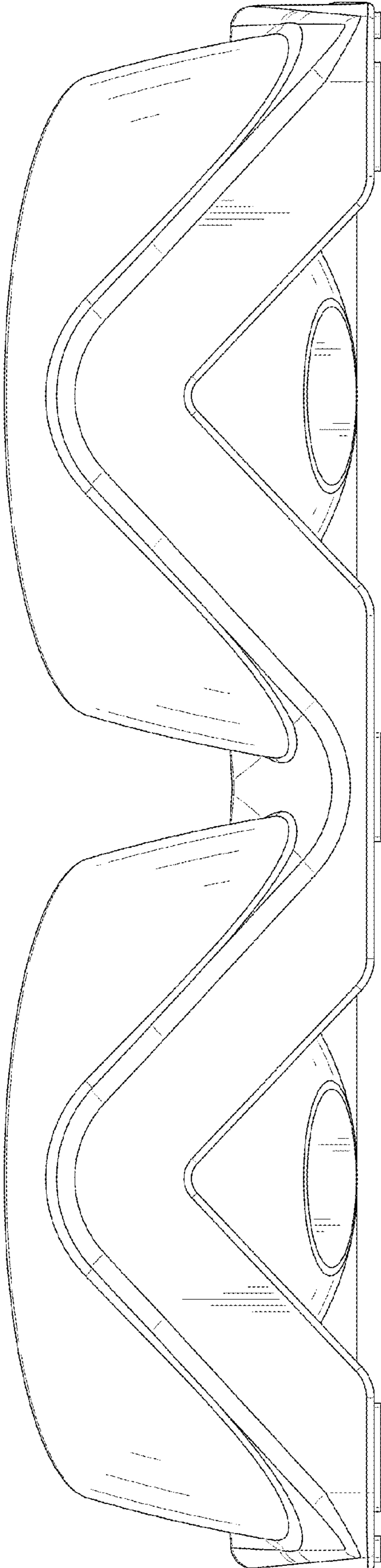


FIG. 4

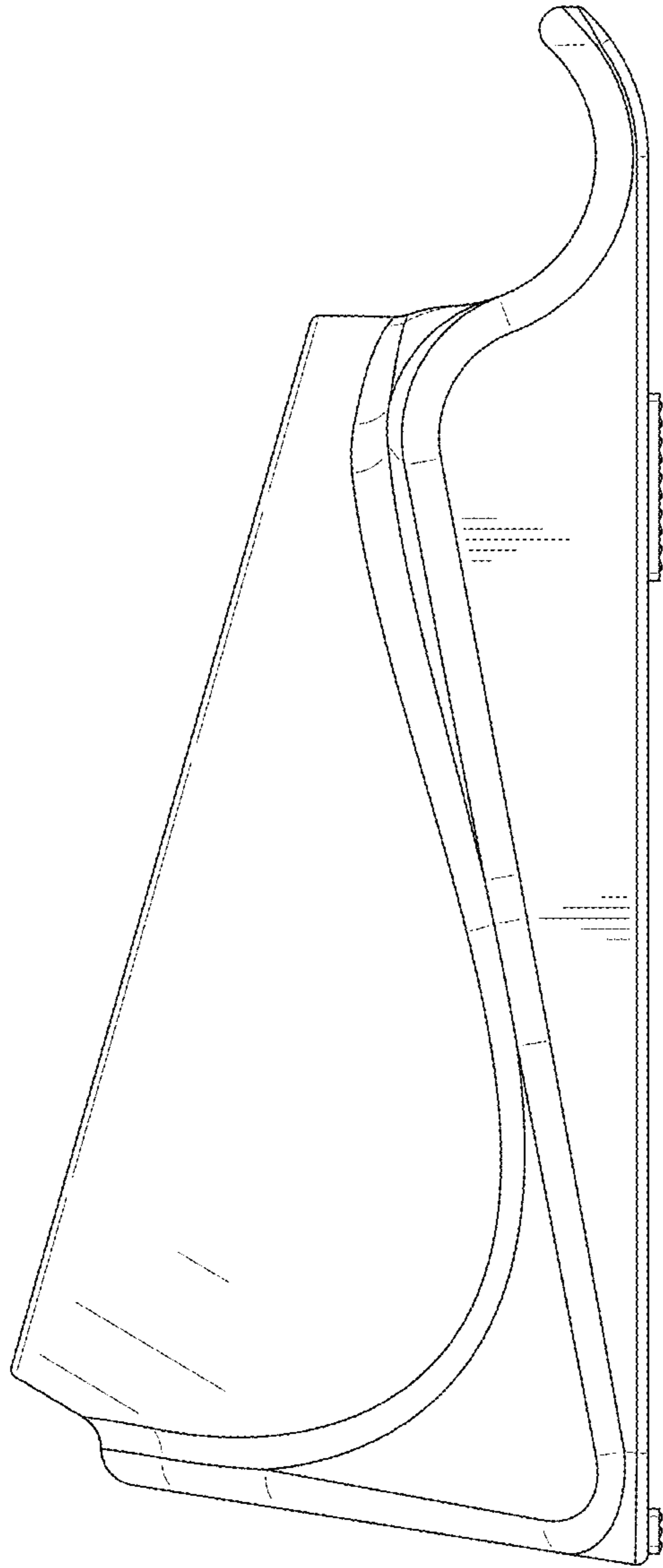


FIG. 5

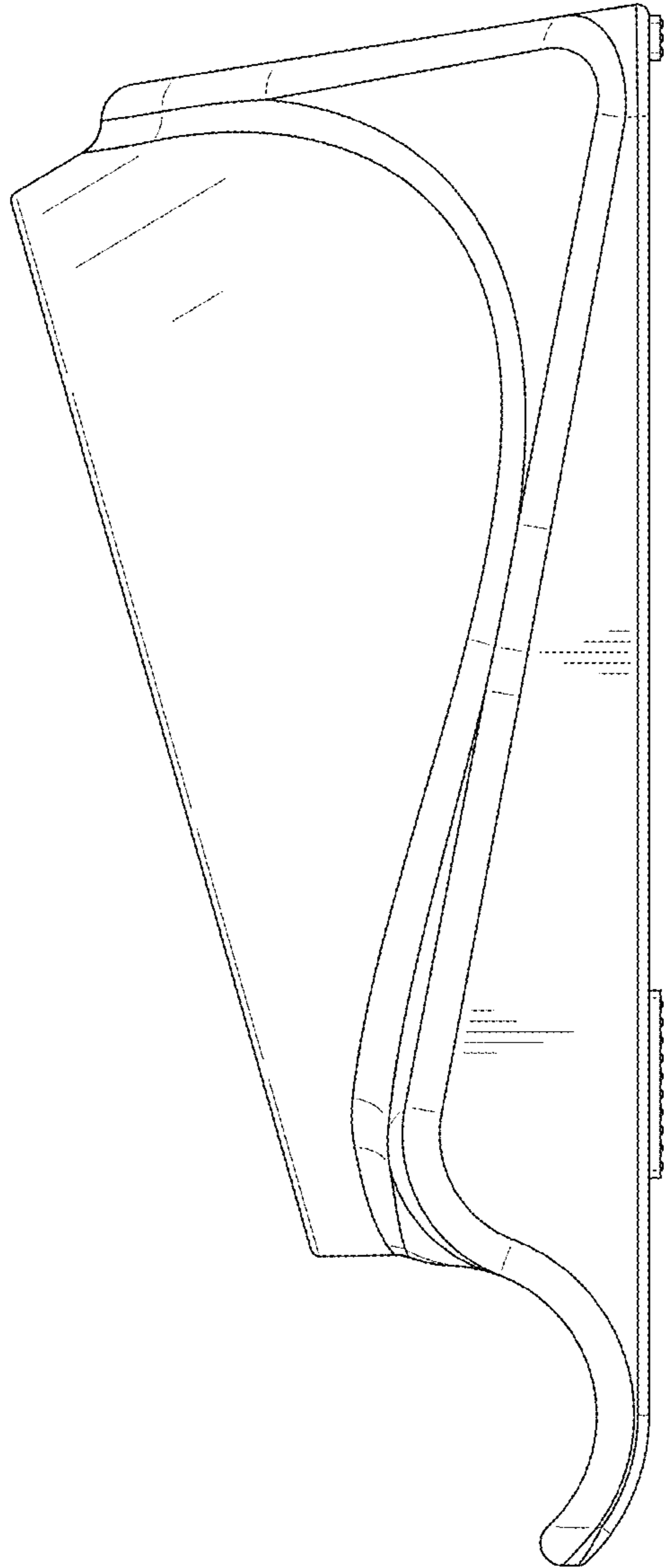


FIG. 6

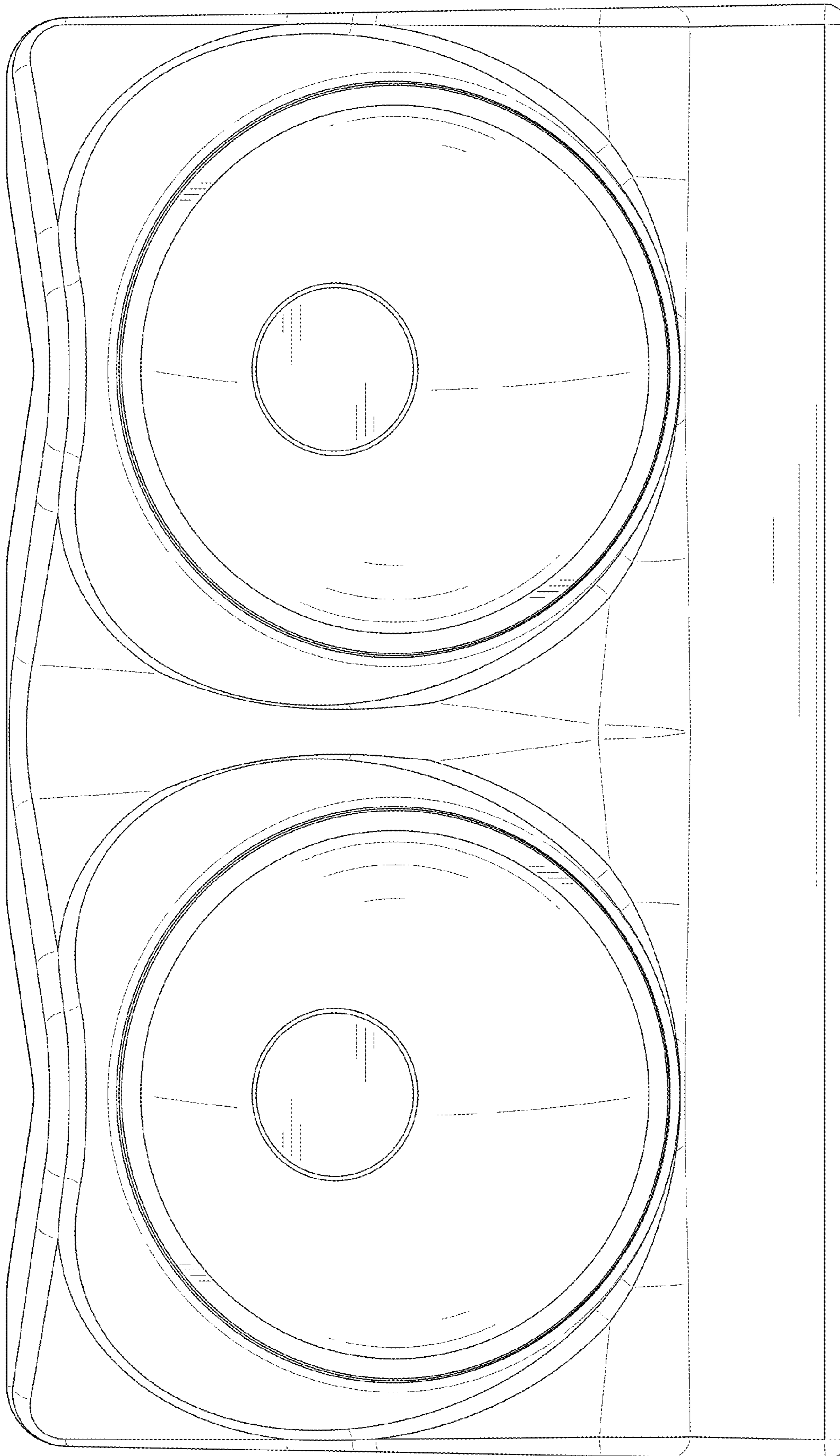


FIG. 7

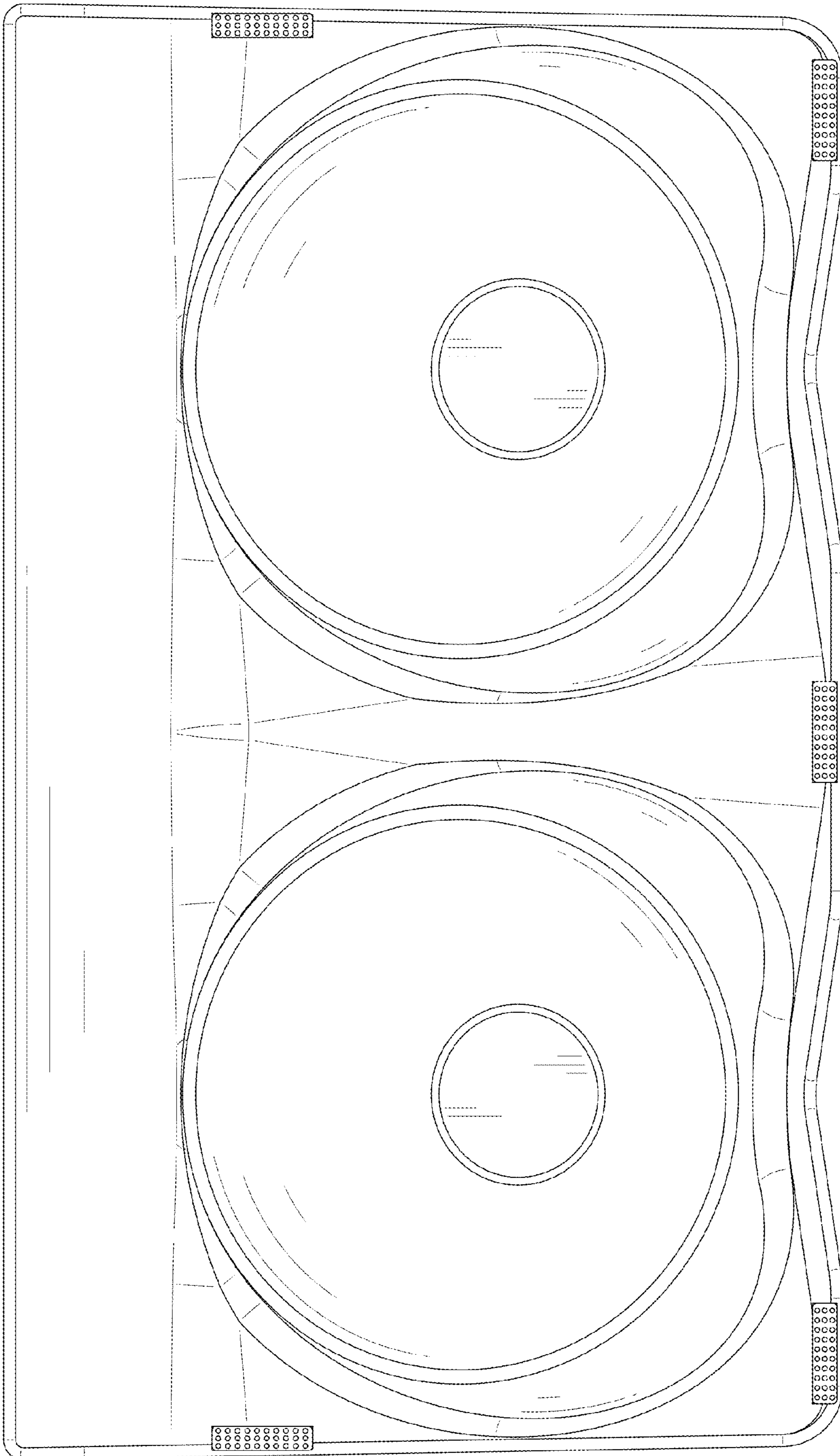


FIG. 8