

US00D921998S

(12) **United States Design Patent** (10) **Patent No.:** **US D921,998 S**
Smith et al. (45) **Date of Patent:** **** Jun. 8, 2021**

(54) **PERCH**

(71) Applicant: **Classic Brands, LLC**, Denver, CO (US)

(72) Inventors: **Garrett Smith**, Denver, CO (US);
William Furman O'Dell, Denver, CO (US)

(73) Assignee: **Classic Brands, LLC**, Denver, CO (US)

(**) Term: **15 Years**

(21) Appl. No.: **29/739,810**

(22) Filed: **Jun. 29, 2020**

(51) **LOC (13) Cl.** **30-03**

(52) **U.S. Cl.**
USPC **D30/127**

(58) **Field of Classification Search**
USPC D30/121, 124, 126–129, 133, 199,
D30/110–112, 123, 125, 115, 117, 119;
119/52.2, 51.5, 61.5, 57.8, 57.9, 52.3,
119/61.1, 531, 63, 428–435, 52.4, 55,
119/61.3, 69.5, 75, 76; 47/67, 83, 39, 42,
47/43; 248/318, 27.8, 188, 188.1, 188.7,
248/188.8, 346.01; D11/130.1, 164, 152,
D11/131, 143, 144, 153–154; 211/128.1,
211/85.23, 85.31; D27/123; D6/495,
D6/460, 461, 476, 405, 403, 404,
D6/482–486, 496, 439, 431, 423,
D6/477–479, 449, 349, 406.2; D8/349;
D20/10; D3/306; 108/150, 153.1, 158,
108/155, 156, 157.1; 297/455, 447, 461;
206/423; 217/122; 223/107
CPC A01K 31/12; A01K 39/00; A01K 39/01;
A01K 39/0113; A01K 39/012; A01K
39/06; A01K 39/014; A01K 5/0225;
A01K 5/00

See application file for complete search history.

(56) **References Cited**

U.S. PATENT DOCUMENTS

| | | | | |
|---------------|---------|-----------|-------|--------------------------|
| D174,247 S * | 3/1955 | Camp | | D6/405 |
| D178,974 S * | 10/1956 | Schulz | | D11/130.1 |
| D199,406 S * | 10/1964 | Terrell | | D6/405 |
| 3,610,558 A * | 10/1971 | Tawara | | A47G 33/12 47/40.5 |
| D355,566 S * | 2/1995 | Stephen | | D7/403 |
| D374,195 S * | 10/1996 | Wright | | D11/130.1 |
| D399,166 S * | 10/1998 | Wright | | D11/130.1 |
| D405,290 S * | 2/1999 | Hollinger | | D6/403 |
| 6,119,627 A * | 9/2000 | Banyas | | A01K 39/0113 119/52.3 |

(Continued)

Primary Examiner — Susan Moon Lee

(74) *Attorney, Agent, or Firm* — Polsinelli PC

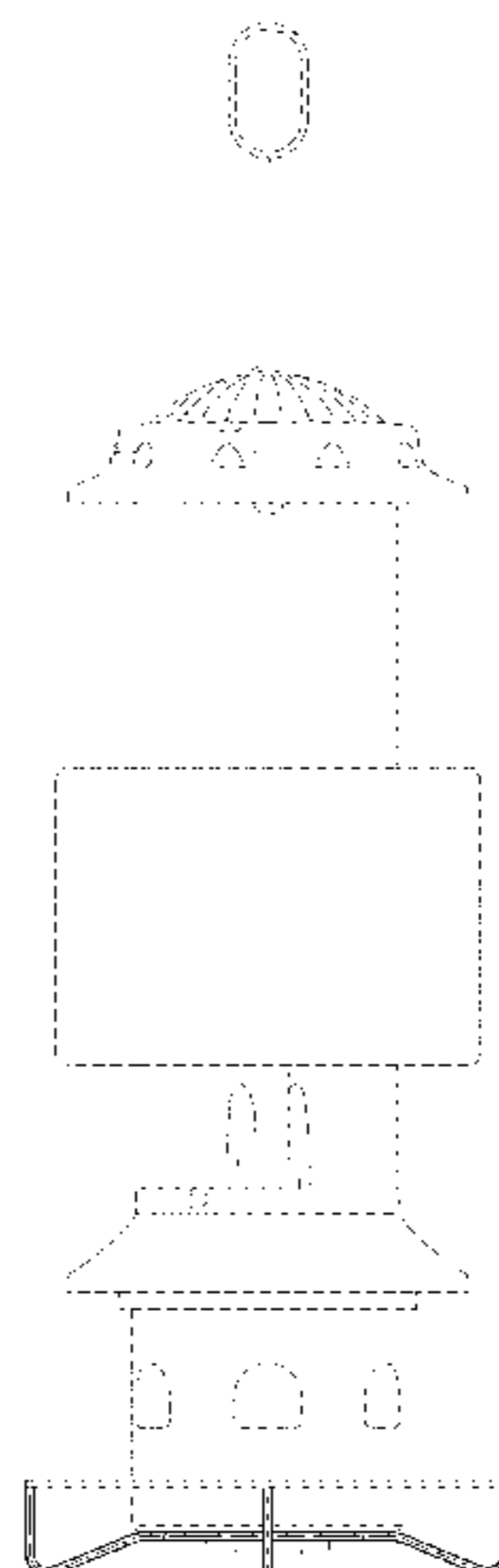
(57) **CLAIM**

The ornamental design for a perch, as shown and described.

DESCRIPTION

FIG. 1 is a top perspective view of a perch in accordance with our new design, shown illustratively in conjunction with a bird feeder;
FIG. 2 is a bottom perspective view thereof.
FIG. 3 is a front view thereof.
FIG. 4 is a back view thereof.
FIG. 5 is a right side view thereof.
FIG. 6 is a left side view thereof.
FIG. 7 is a top view thereof.
FIG. 8 is a bottom view thereof.
FIG. 9 is a top perspective view thereof without the bird feeder shown; and,
FIG. 10 is a bottom perspective view thereof without the bird feeder shown.
The broken lines shown in the Figures are environment only that form no part of the claimed design.

(Continued)



The shade lines in the Figures show contour and do not claim surface ornamentation or treatment.

1 Claim, 8 Drawing Sheets

(56)

References Cited

U.S. PATENT DOCUMENTS

| | | | |
|----------------|---------|----------|--------------------------|
| D488,590 S * | 4/2004 | Fort, II | 119/51.01 |
| 6,895,894 B2 * | 5/2005 | Fort, II | A01K 39/012 119/51.01 |
| 6,945,192 B2 * | 9/2005 | Cote | A01K 39/0113 119/57.9 |
| D515,843 S * | 2/2006 | Tobas | D6/403 |
| 7,021,598 B2 * | 4/2006 | Kao | A47F 5/025 248/519 |
| 7,040,251 B2 * | 5/2006 | Fort, II | A01K 39/012 119/53 |
| 7,275,500 B2 * | 10/2007 | Fort, II | A01K 39/012 119/53 |
| 7,610,875 B2 * | 11/2009 | Webber | A01K 39/0113 119/57.8 |

| | | | |
|-------------------|---------|-----------|--------------------------|
| D646,027 S * | 9/2011 | Colwell | D30/124 |
| D663,079 S * | 7/2012 | Greenwood | A01K 39/012 D30/128 |
| 8,230,809 B2 * | 7/2012 | Cote | A01K 39/0113 119/52.3 |
| D889,051 S * | 6/2020 | Combs | D30/127 |
| 2002/0139311 A1 * | 10/2002 | Cote | A01K 39/0113 119/57.9 |
| 2003/0226514 A1 * | 12/2003 | Cote | A01K 39/0113 119/57.9 |
| 2006/0207512 A1 * | 9/2006 | Fort, II | A01K 39/012 119/57.8 |
| 2007/0107302 A1 * | 5/2007 | Oltmann | A01G 23/04 47/42 |
| 2011/0083610 A1 * | 4/2011 | Cote | A01K 39/0113 119/52.3 |
| 2011/0100299 A1 * | 5/2011 | Colwell | A01K 31/12 119/52.2 |
| 2012/0111278 A1 * | 5/2012 | Greenwood | A01K 39/0106 119/52.2 |
| 2015/0296750 A1 * | 10/2015 | Cote | A01K 39/012 119/57.8 |
| 2016/0366319 A1 * | 12/2016 | Perkins | H04N 5/23203 |
| 2017/0339927 A1 * | 11/2017 | Cote | A01K 39/0113 |

* cited by examiner

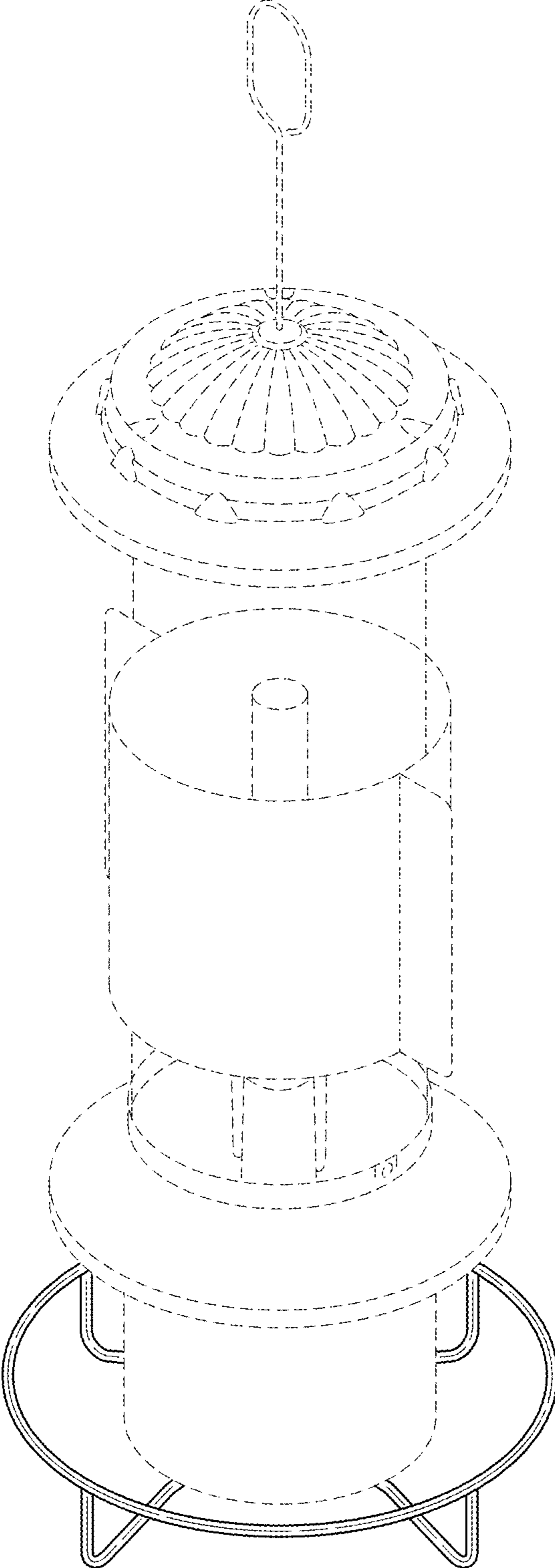


FIG.1

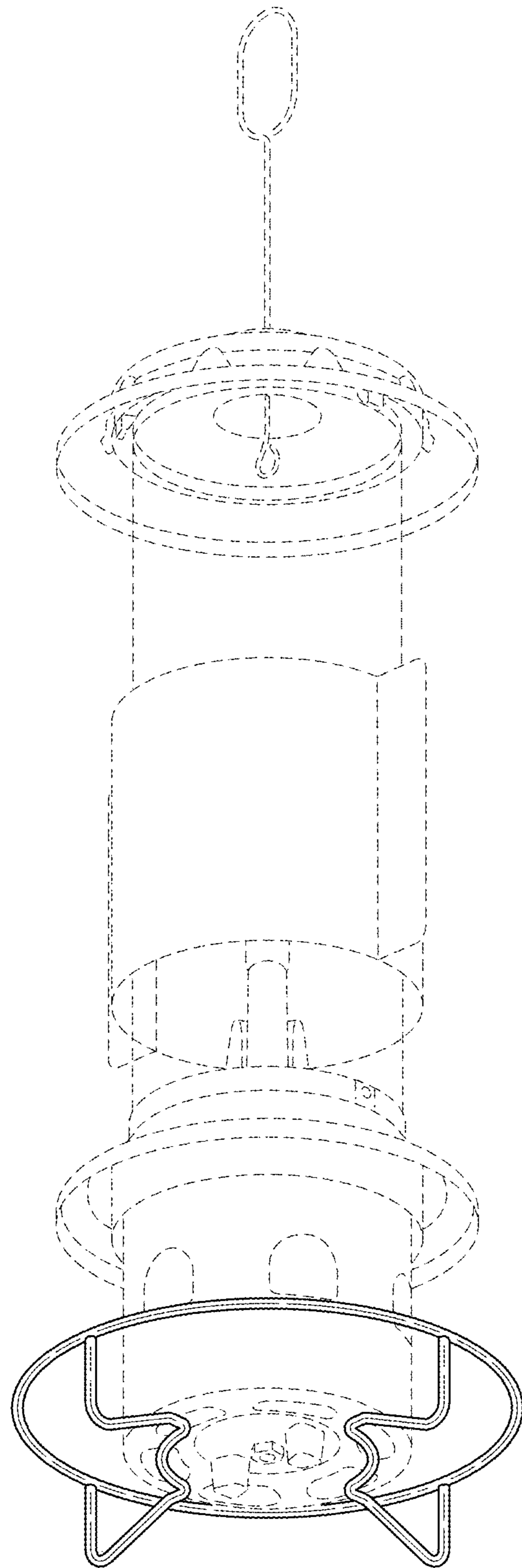


FIG.2

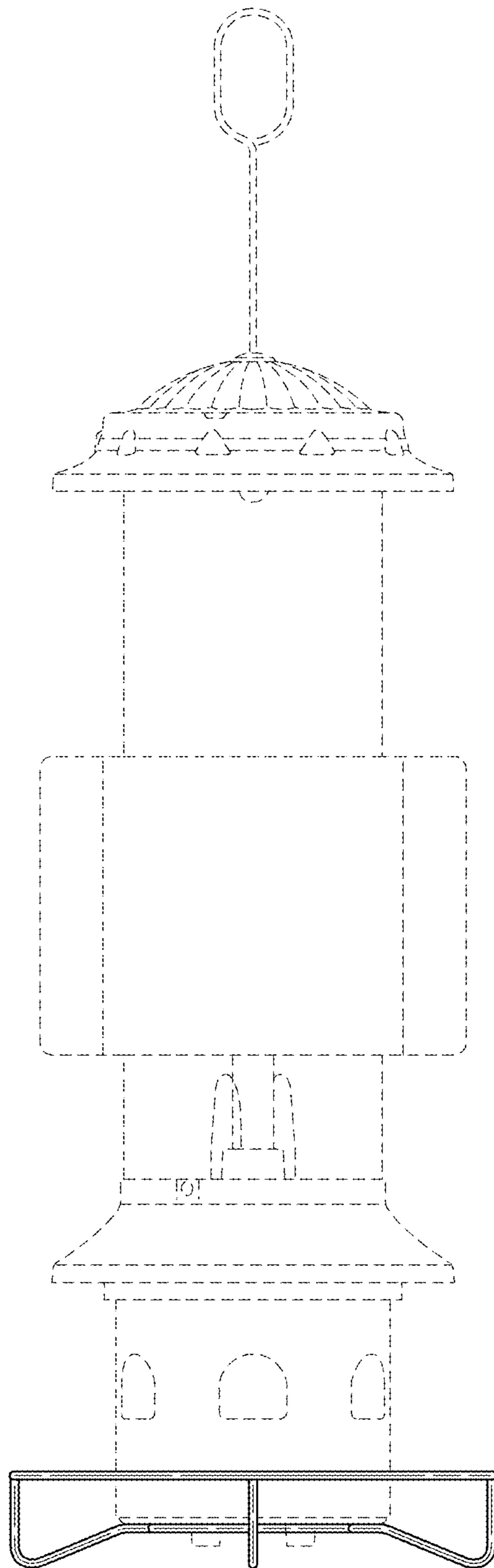


FIG.3

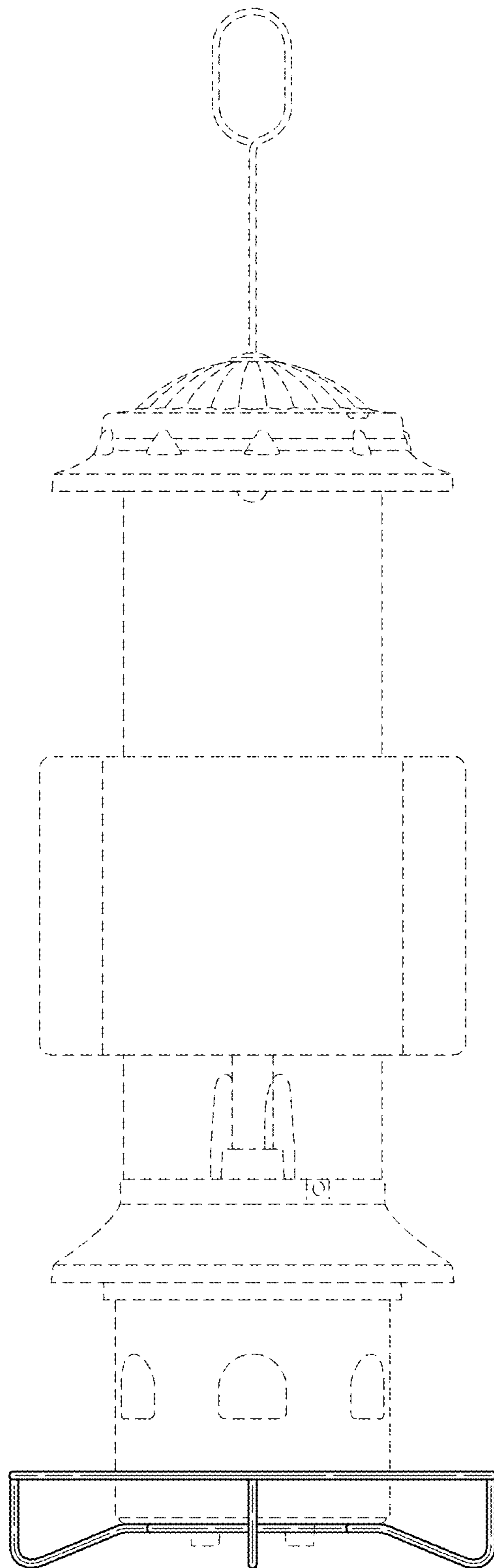


FIG. 4

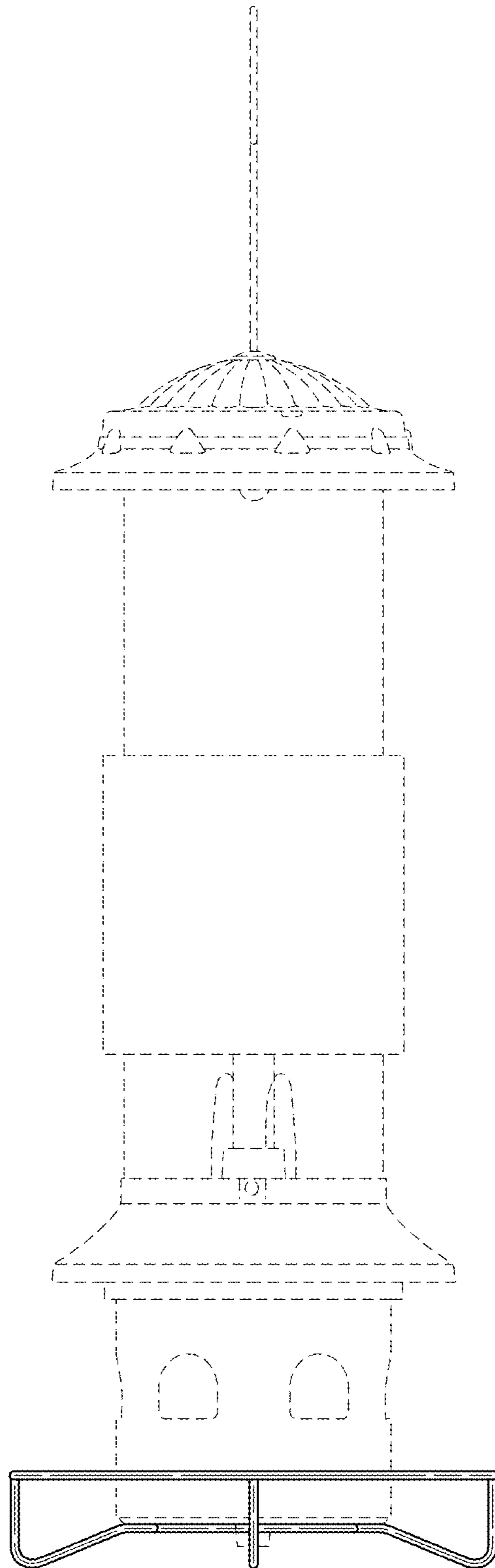


FIG.5

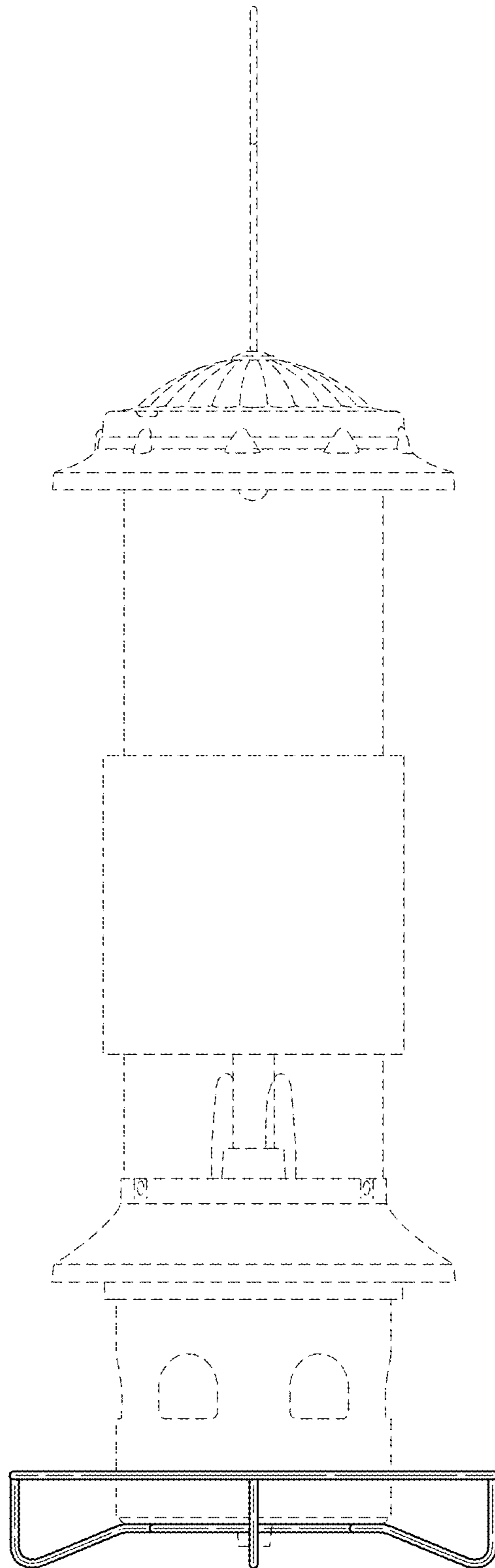


FIG. 6

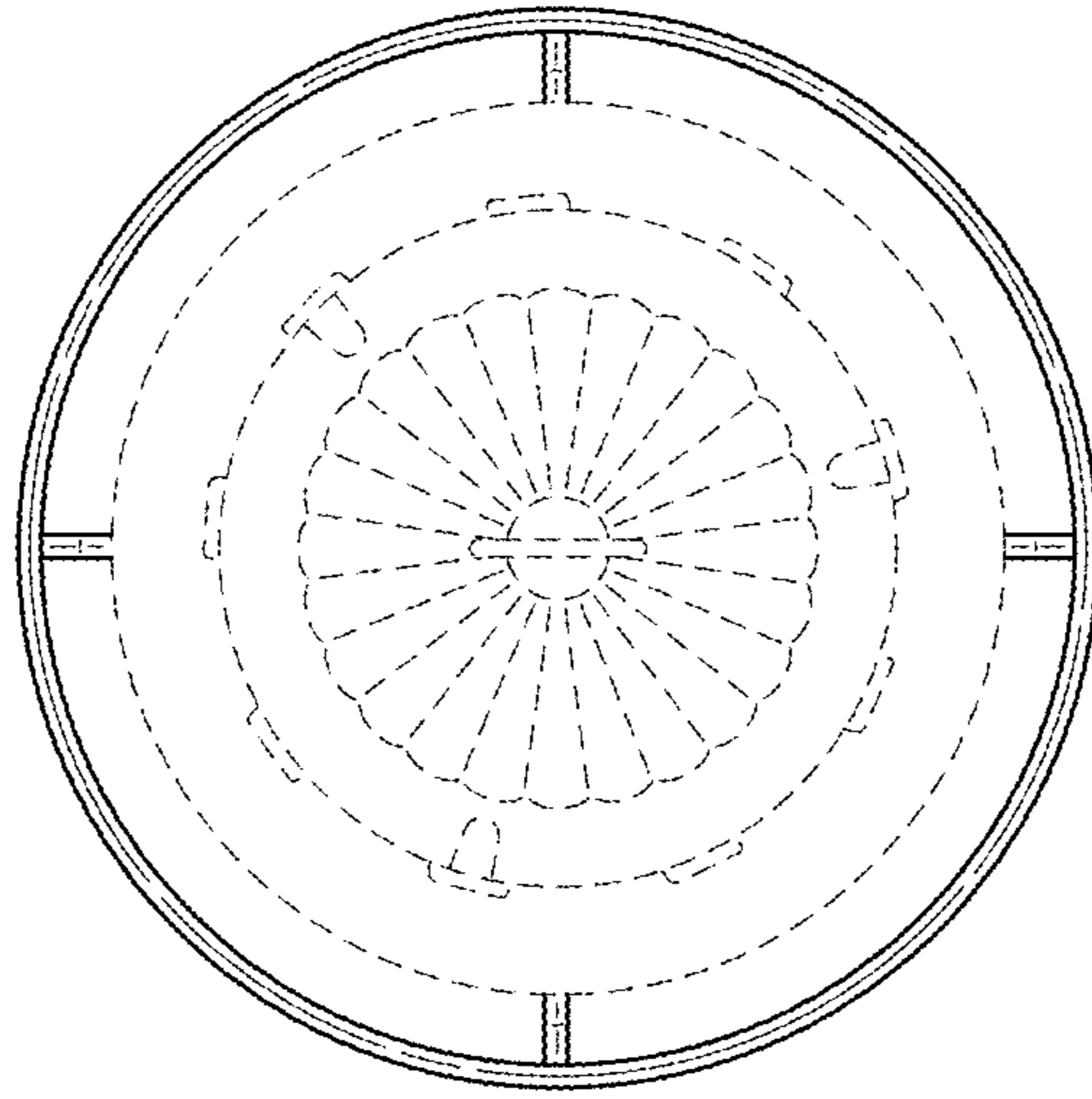


FIG.7

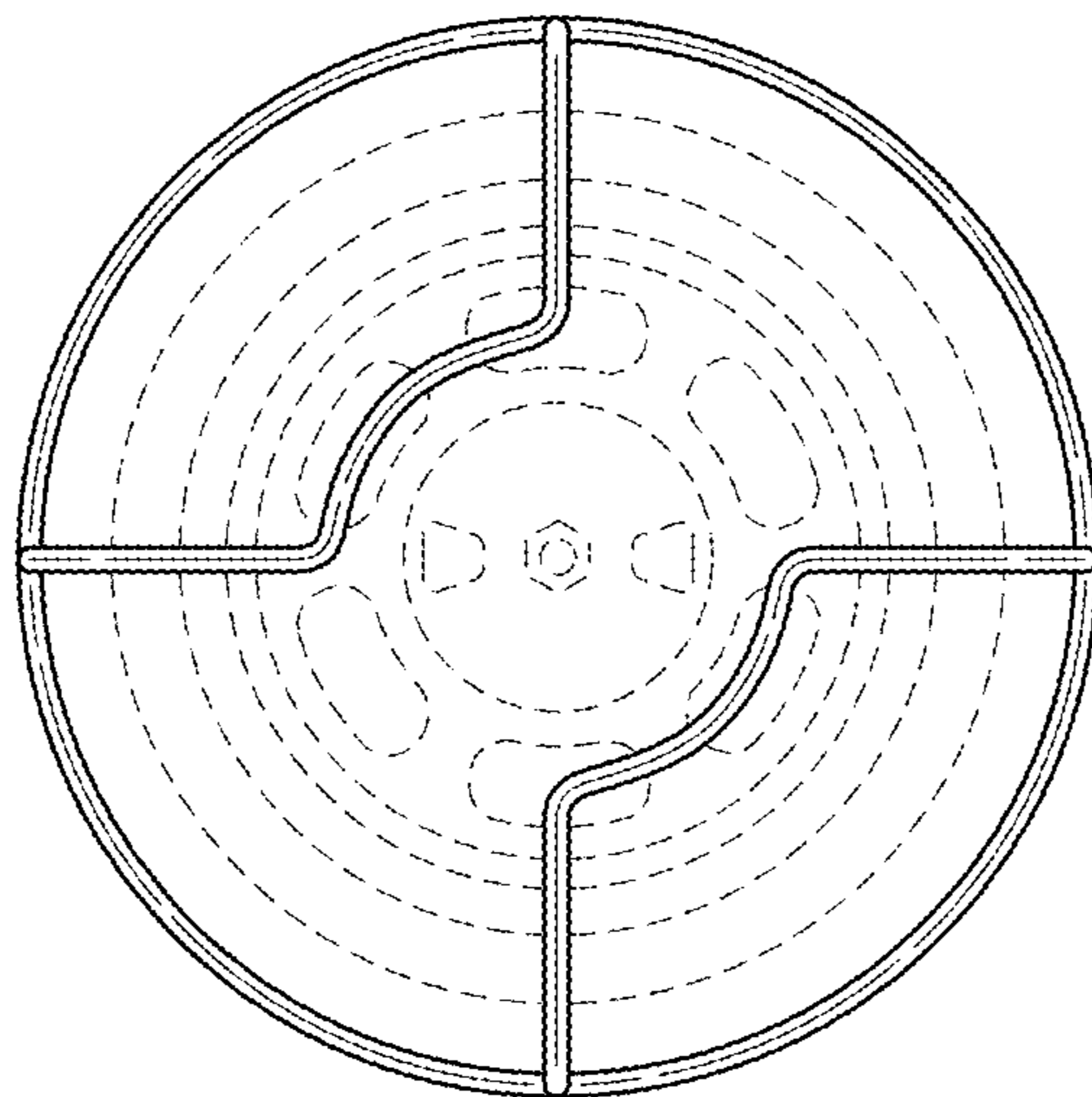


FIG.8

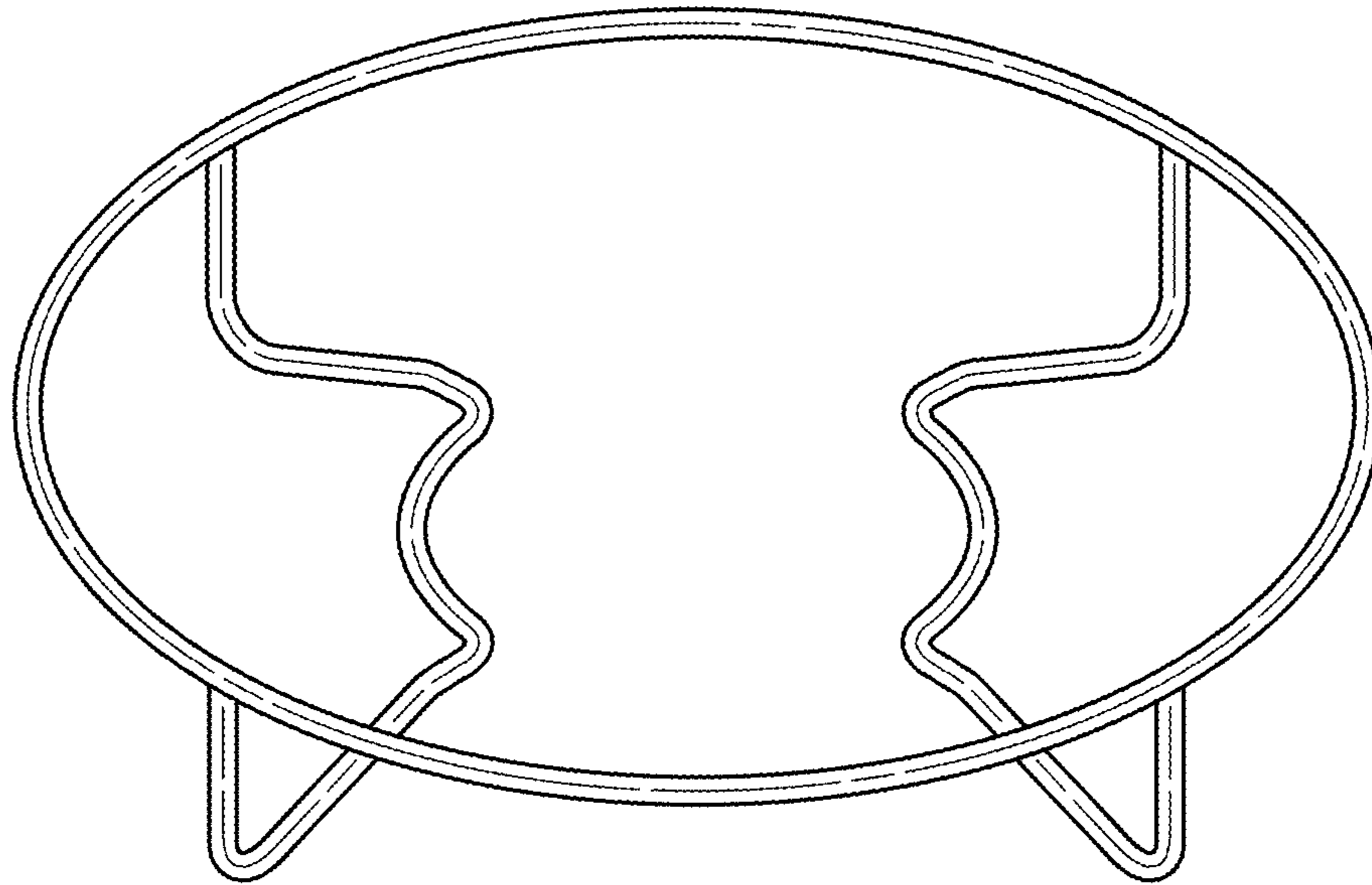


FIG. 9

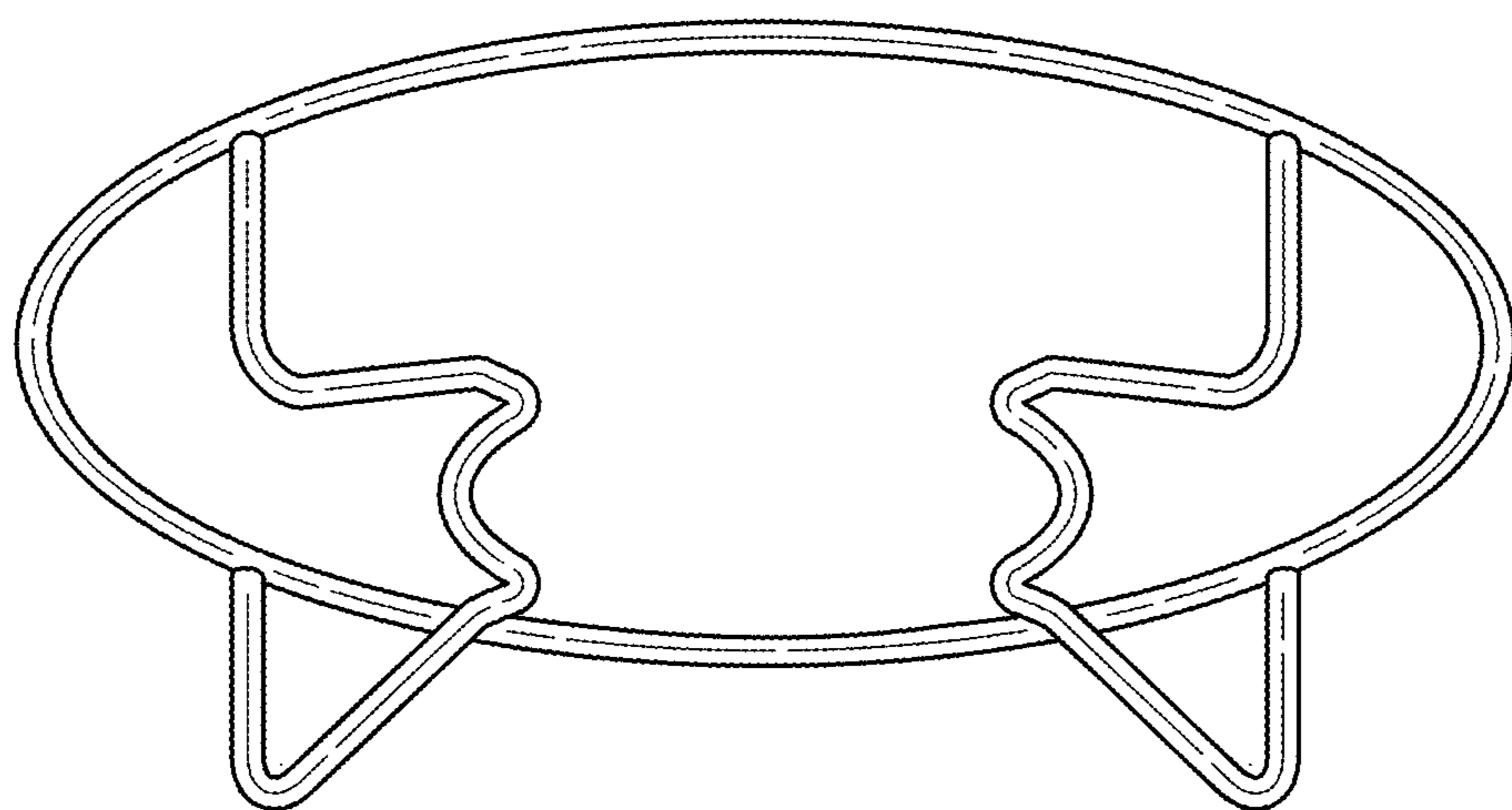


FIG. 10