



US00D921996S

(12) **United States Design Patent**
Fammartino

(10) **Patent No.:** **US D921,996 S**
(45) **Date of Patent:** **** Jun. 8, 2021**

(54) **PET BED**

(71) Applicant: **Suzanne M. Fammartino**, Carmel, IN (US)

(72) Inventor: **Suzanne M. Fammartino**, Carmel, IN (US)

(**) Term: **15 Years**

(21) Appl. No.: **29/660,989**

(22) Filed: **Aug. 23, 2018**

(51) **LOC (13) Cl.** **30-01**

(52) **U.S. Cl.**
USPC **D30/118**

(58) **Field of Classification Search**
USPC D30/108, 109, 113–120, 199; 119/482,
119/496, 497, 502, 28.5

CPC A01K 1/0353
See application file for complete search history.

(56) **References Cited**

U.S. PATENT DOCUMENTS

D381,234 S *	7/1997	Lupoff	5/636
D822,911 S *	7/2018	Menayan	D30/118
D836,848 S *	12/2018	Brotten	D30/118
D836,849 S *	12/2018	Romaya	D30/118
D847,442 S *	4/2019	Bikowicz	D30/199
2003/0019434 A1 *	1/2003	Spires	A01K 1/0353 119/28.5

OTHER PUBLICATIONS

“Solvit Car Cuddler _ Bed Bath & Beyond” available 2018, [online], [site visited Mar. 21, 2021], Retrieved from Internet, URL:

<https://www.bedbathandbeyond.com/store/product/solvit-reg-car-cuddler/3313473> (Year: 2018).*

“PetSafe Happy Ride Car Dog Bed” available Sep. 12, 2016, [online], [site visited Mar. 21, 2021], Retrieved from Internet, URL: <https://www.amazon.com/Solvit-62432-Cuddler-Small-Grey/dp/B01LCJAVNI?th=1> (Year: 2016).*

* cited by examiner

Primary Examiner — Michael C Stout

Assistant Examiner — Katrina N Gonzalez

(74) *Attorney, Agent, or Firm* — C. John Brannon;
Brannon Sowers & Cracraft PC

(57) **CLAIM**

The ornamental design for a pet bed, as shown and described.

DESCRIPTION

FIG. 1 is a perspective view of a pet bed, showing my new design.

FIG. 2 is a top plan view thereof;

FIG. 3 is a right side elevation view thereof; the left side elevational is a mirror image;

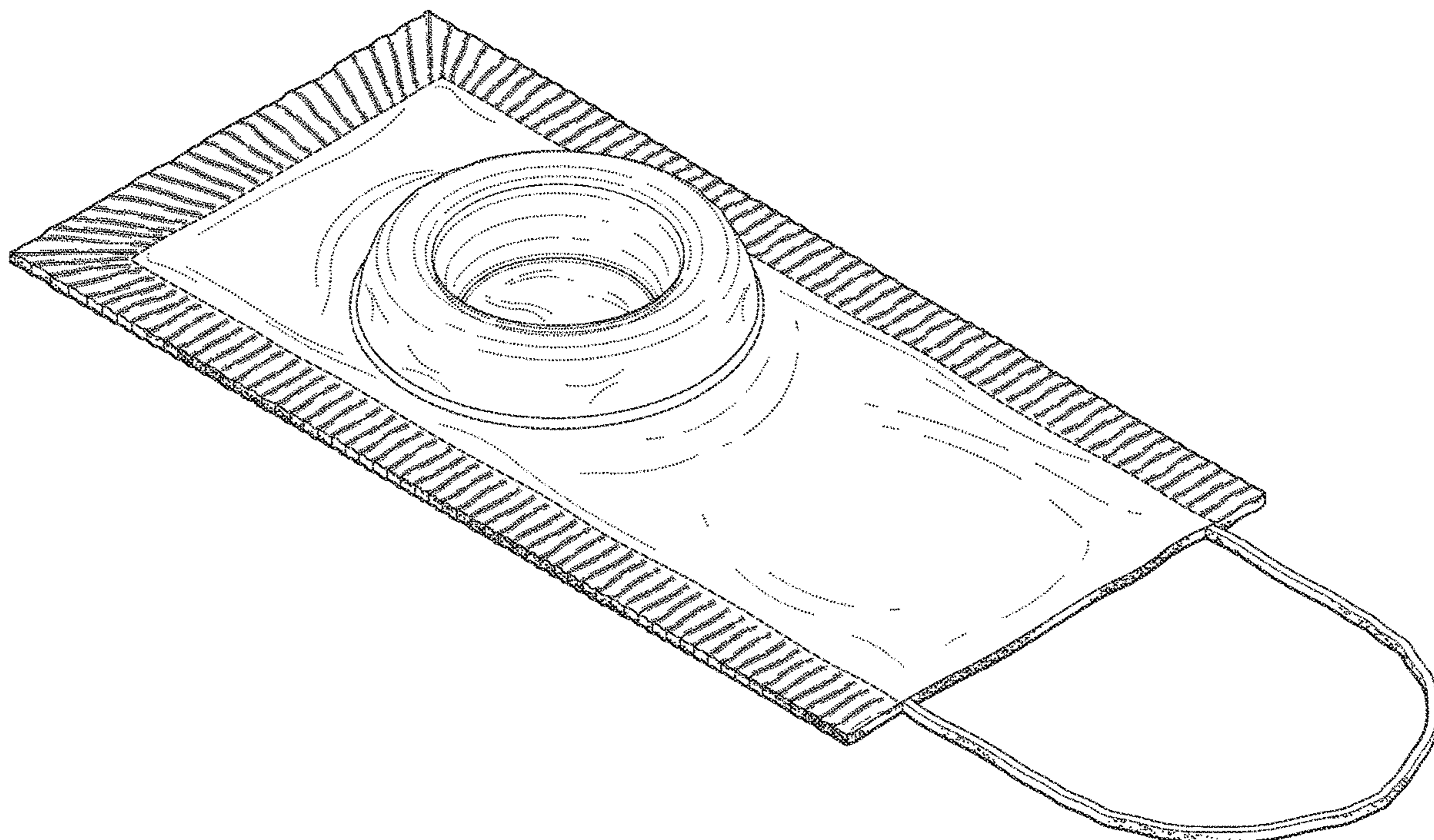
FIG. 4 is a front view thereof;

FIG. 5 is a rear view thereof; and,

FIG. 6 is a bottom plan view thereof.

The dash-dash broken lines illustrate stitching that forms no part of the claimed design. The dot-dot broken lines illustrate the contours of the portions of the pet bed that form part of the claimed design.

1 Claim, 4 Drawing Sheets



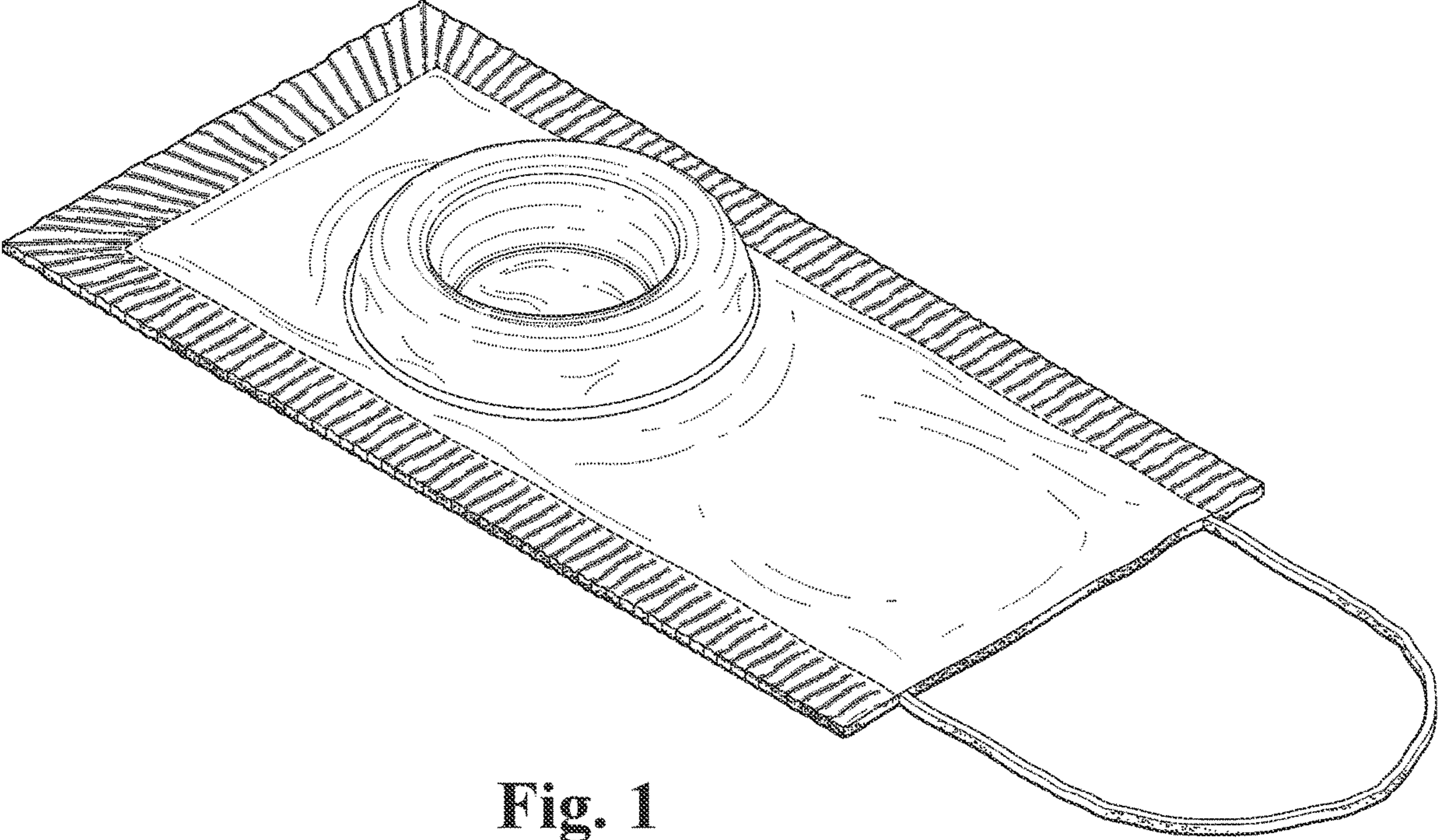


Fig. 1

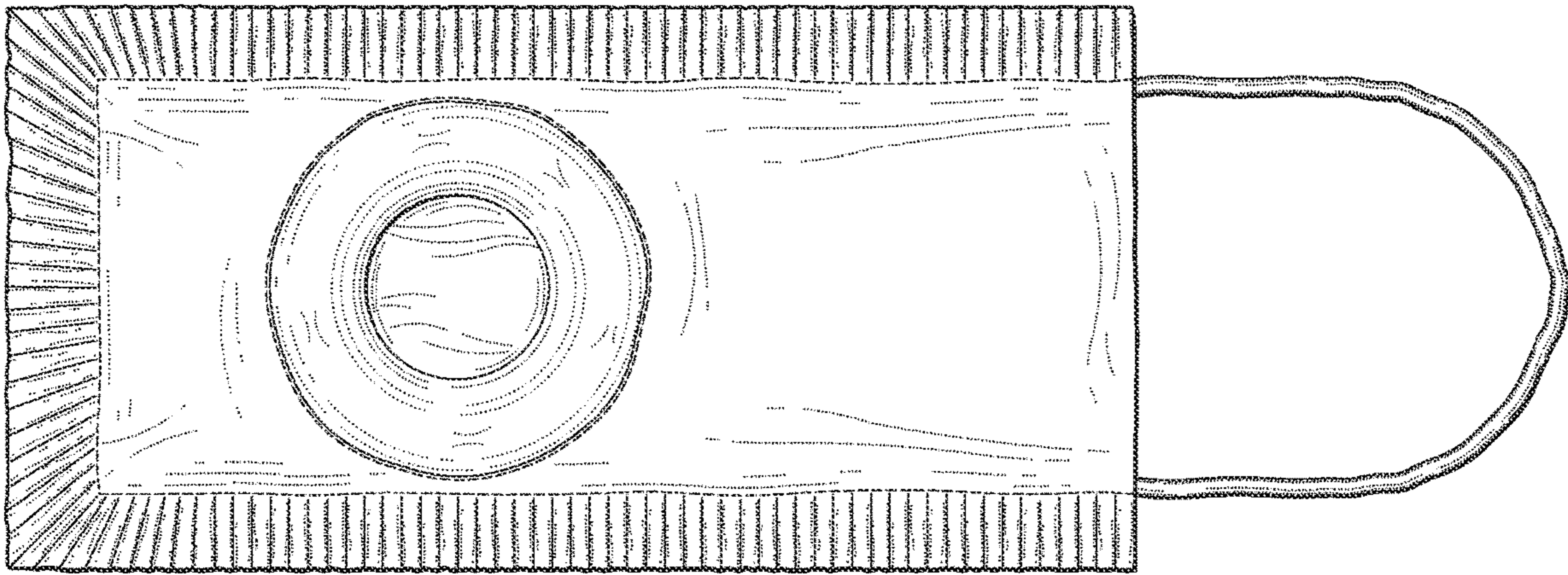


Fig. 2



Fig. 3

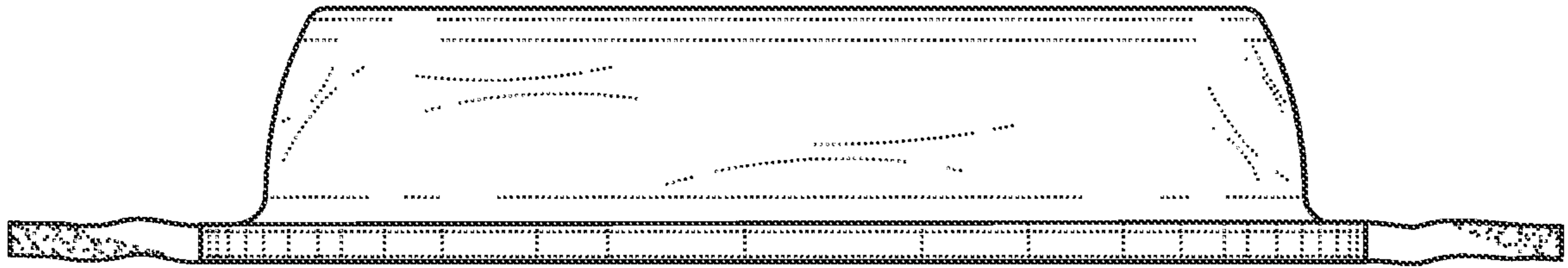


Fig. 4

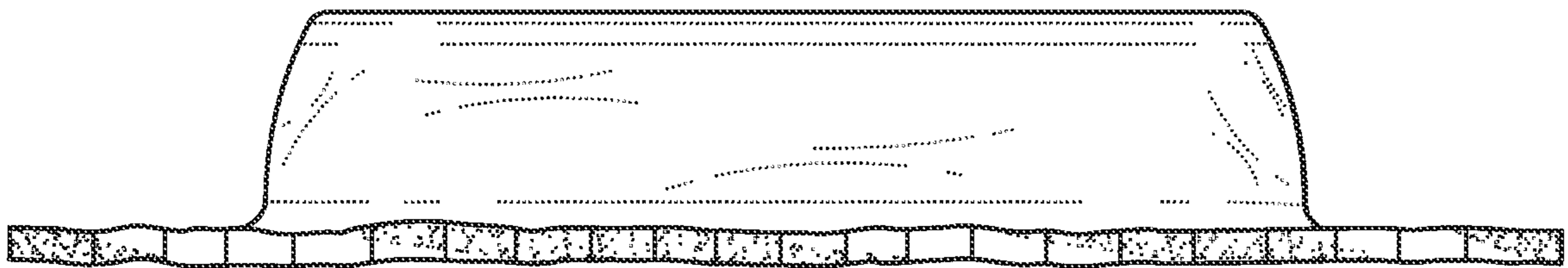


Fig. 5

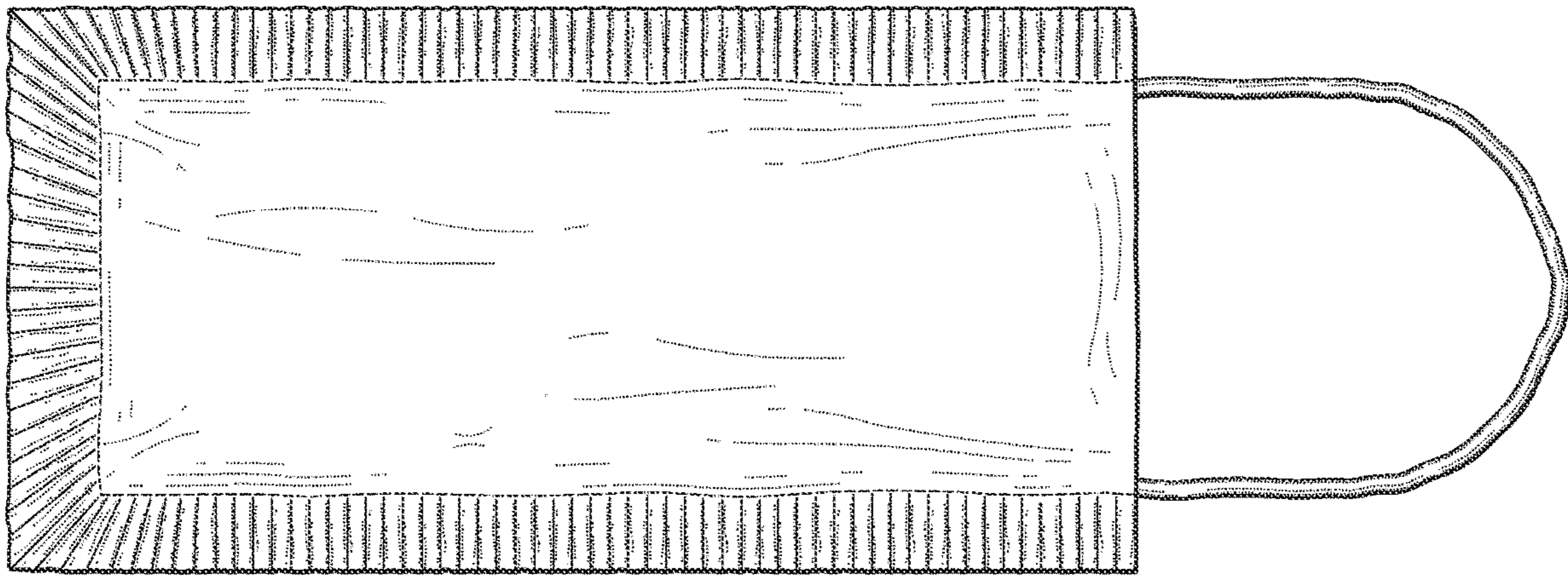


Fig. 6