



US00D921992S

(12) **United States Design Patent**
Hemeyer et al.

(10) **Patent No.:** **US D921,992 S**

(45) **Date of Patent:** **** Jun. 8, 2021**

(54) **EAR MUFFS FOR SHOOTING SPORTS**

(71) Applicant: **VISTA OUTDOOR OPERATIONS LLC**, Farmington, UT (US)

(72) Inventors: **William Clark Hemeyer**, Lees Summit, MO (US); **Richard Slevin**, Los Altos Hills, CA (US); **Gwyn Lewis**, Belmont, CA (US); **Jack C. Lau**, Dublin, CA (US); **Linyuan Xu**, Sunnyvale, CA (US)

(73) Assignee: **Vista Outdoor Operations, LLC**, Anoka, MN (US)

(**) Term: **15 Years**

(21) Appl. No.: **29/671,223**

(22) Filed: **Nov. 26, 2018**

(51) **LOC (13) Cl.** **29-02**

(52) **U.S. Cl.**
USPC **D29/112; D14/205**

(58) **Field of Classification Search**
USPC D29/100, 102, 105, 106, 108, 112, 122;
D14/205, 206, 223
CPC A42B 3/16; A42B 3/163; A42B 3/166;
A61F 11/06; A61F 11/08; A61F 11/10;
A61F 11/12; A61F 11/14; A61F
2011/085; H04R 1/10; H04R 1/1008;
H04R 1/1016; H04R 1/105; H04R
1/1058; H04R 1/1066; H04R 1/1075;
H04R 1/1083; H04R 5/0335; H04R
25/652; H04R 25/654; H04R 25/656;
A63B 71/10

See application file for complete search history.

(56) **References Cited**

U.S. PATENT DOCUMENTS

2,883,671 A * 4/1959 Hornickel A61F 11/14
2/209
2,981,958 A * 5/1961 Wadsworth A61F 11/14
2/209

3,051,961 A * 9/1962 Clark A61F 11/14
2/209
3,085,253 A * 4/1963 Ulrich A61F 11/14
2/209
D298,670 S * 11/1988 Palmaer D14/205
D313,092 S * 12/1990 Nilsson D14/205
D375,584 S * 11/1996 Westerdal D29/112
D385,665 S * 10/1997 Westerdal D29/112
D390,564 S * 2/1998 Savona D14/205

(Continued)

OTHER PUBLICATIONS

Noise Cancelling Ear Muffs HUARUI, Adjustable Shooting Ear Muffs, Shooters Ear Protection Safety Ear Muffs, Lightweight Ear Muffs Noise Protection, Ear Muffs for Shooting Hunting, <https://www.amazon.com/Noise-Cancelling-Ear-Muffs-Adjustable-Shooting-Protection-Lightweight/dp/B085PR318F>, Mar. 10, 2020. (Year: 2020).*

Primary Examiner — Elizabeth J Oswecki

(74) *Attorney, Agent, or Firm* — Walter M. Egbert, III; Gerard M. Donovan; Reed Smith LLP

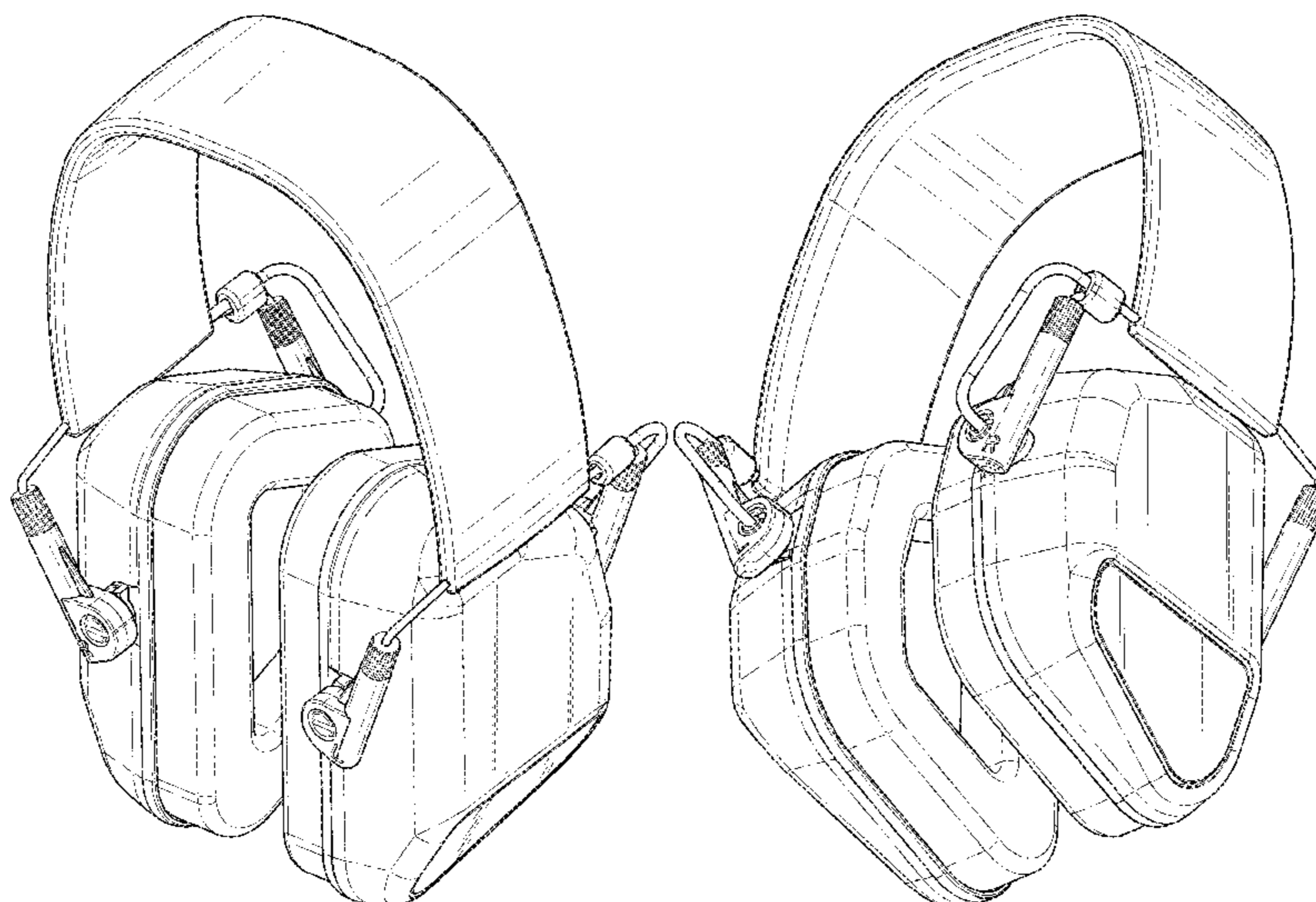
(57) **CLAIM**

The ornamental design for ear muffs for shooting sports, as shown and described.

DESCRIPTION

FIG. 1 is a left, front, top perspective view of ear muffs for shooting sports showing our new design; FIG. 2 is a right, rear and bottom perspective view thereof; FIG. 3 is a right elevation view thereof; FIG. 4 is a front elevation view thereof; FIG. 5 is a right side elevation view thereof; FIG. 6 is a left side elevation view thereof; FIG. 7 is a top plan view thereof; and, FIG. 8 is a bottom plan view. The broken lines shown in the drawings represent portions of the ear muffs for shooting sports that form no part of the claimed design.

1 Claim, 7 Drawing Sheets



(56)

References Cited

U.S. PATENT DOCUMENTS

D403,126	S	*	12/1998	Scanlon	D29/112
D403,128	S	*	12/1998	Scanlon	D29/122
D411,200	S	*	6/1999	Almqvist	D14/192
D413,413	S	*	8/1999	Dillon	D14/205
D427,382	S	*	6/2000	Leight	D29/112
D434,191	S	*	11/2000	Emilsson	D29/112
D459,033	S	*	6/2002	Dix	D29/112
D459,034	S	*	6/2002	Dix	D29/112
D465,616	S	*	11/2002	Nilsson	A61F 11/14 D29/112
D541,483	S	*	4/2007	Birgersson	D29/112
D651,764	S	*	1/2012	Gresko	A61F 11/14 D29/112
D663,900	S	*	7/2012	Karlsson	A61F 11/14 D29/112
D735,419	S	*	7/2015	Rose	D29/112
D736,475	S	*	8/2015	Fletcher	D29/112
D744,171	S	*	11/2015	Rose	D29/112
D747,557	S	*	1/2016	Bonney	D29/112
D752,816	S	*	3/2016	Fletcher	D29/112
D753,884	S	*	4/2016	Bonney	D29/112
D764,717	S	*	8/2016	Fletcher	D29/112
D766,520	S	*	9/2016	Fletcher	D29/112
D789,615	S	*	6/2017	Pratley	D29/112
D805,697	S	*	12/2017	Pratley	D29/112
D807,584	S	*	1/2018	Fletcher	D29/112
D821,653	S	*	6/2018	Pratley	D29/112
D834,260	S	*	11/2018	Garcia	D29/112
D848,396	S	*	5/2019	Wilson	D14/205
D848,679	S	*	5/2019	Wilson	D29/112
D851,839	S	*	6/2019	Scanlon	D29/112

* cited by examiner

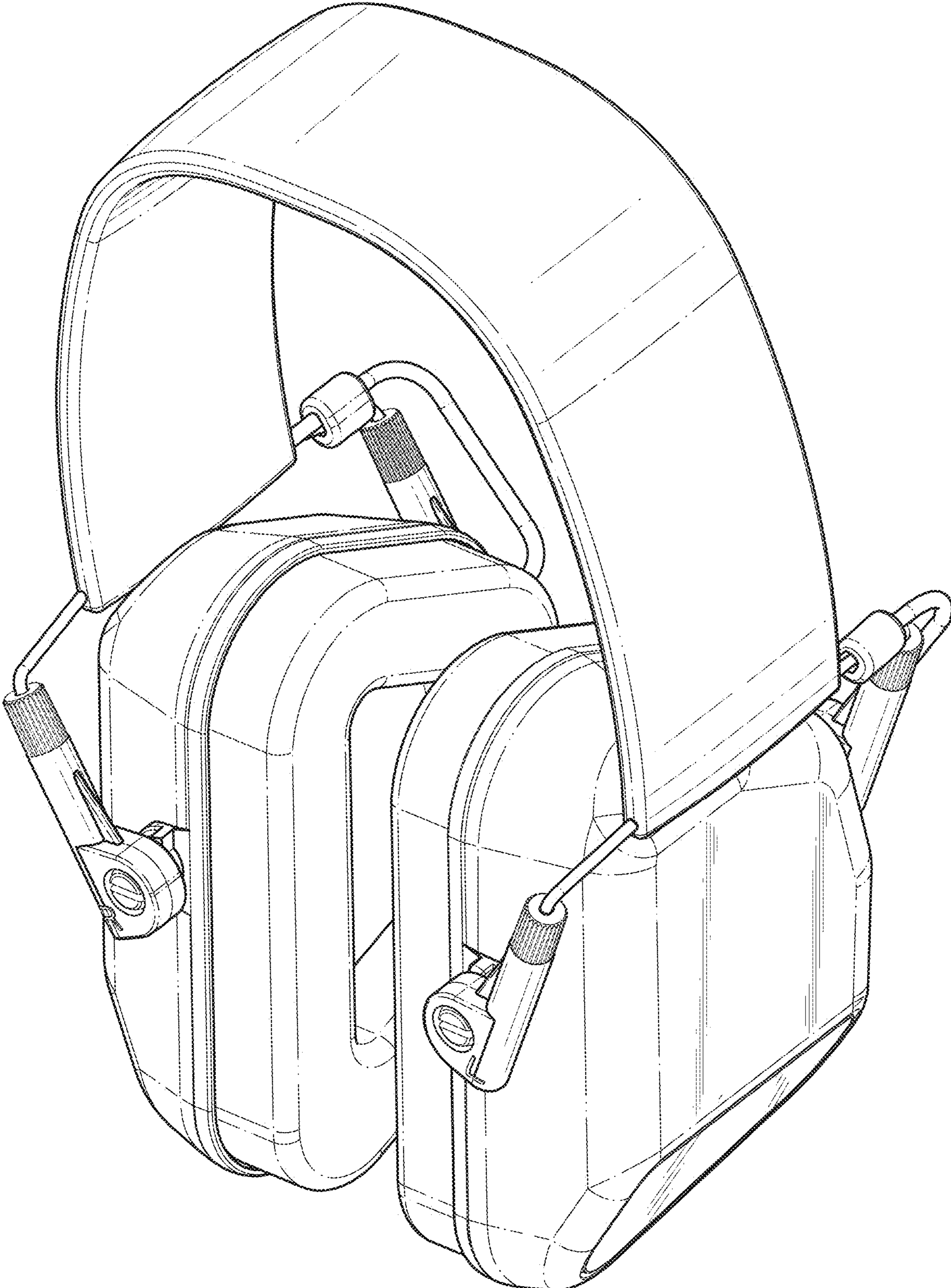


FIG. 1

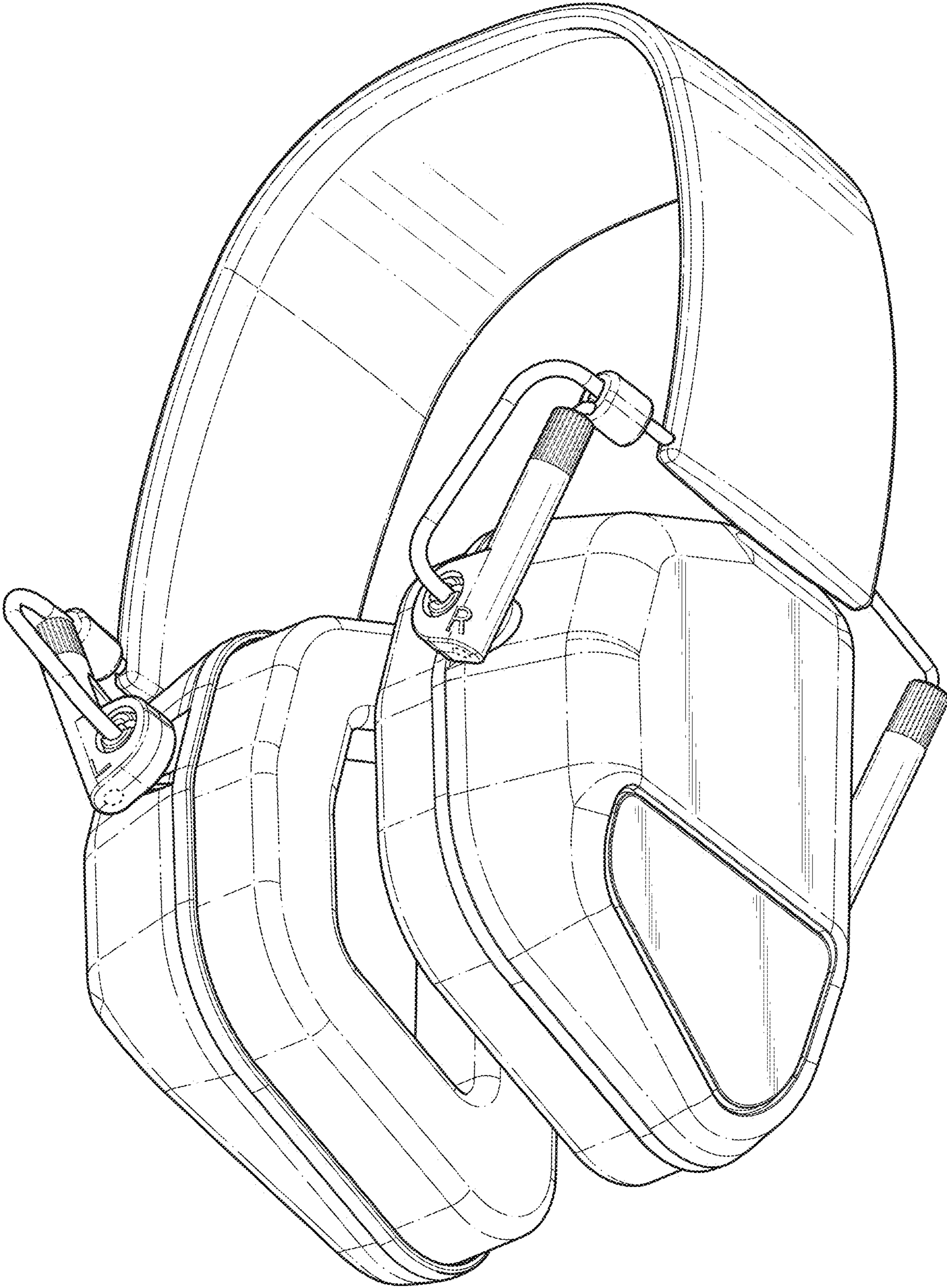


FIG. 2

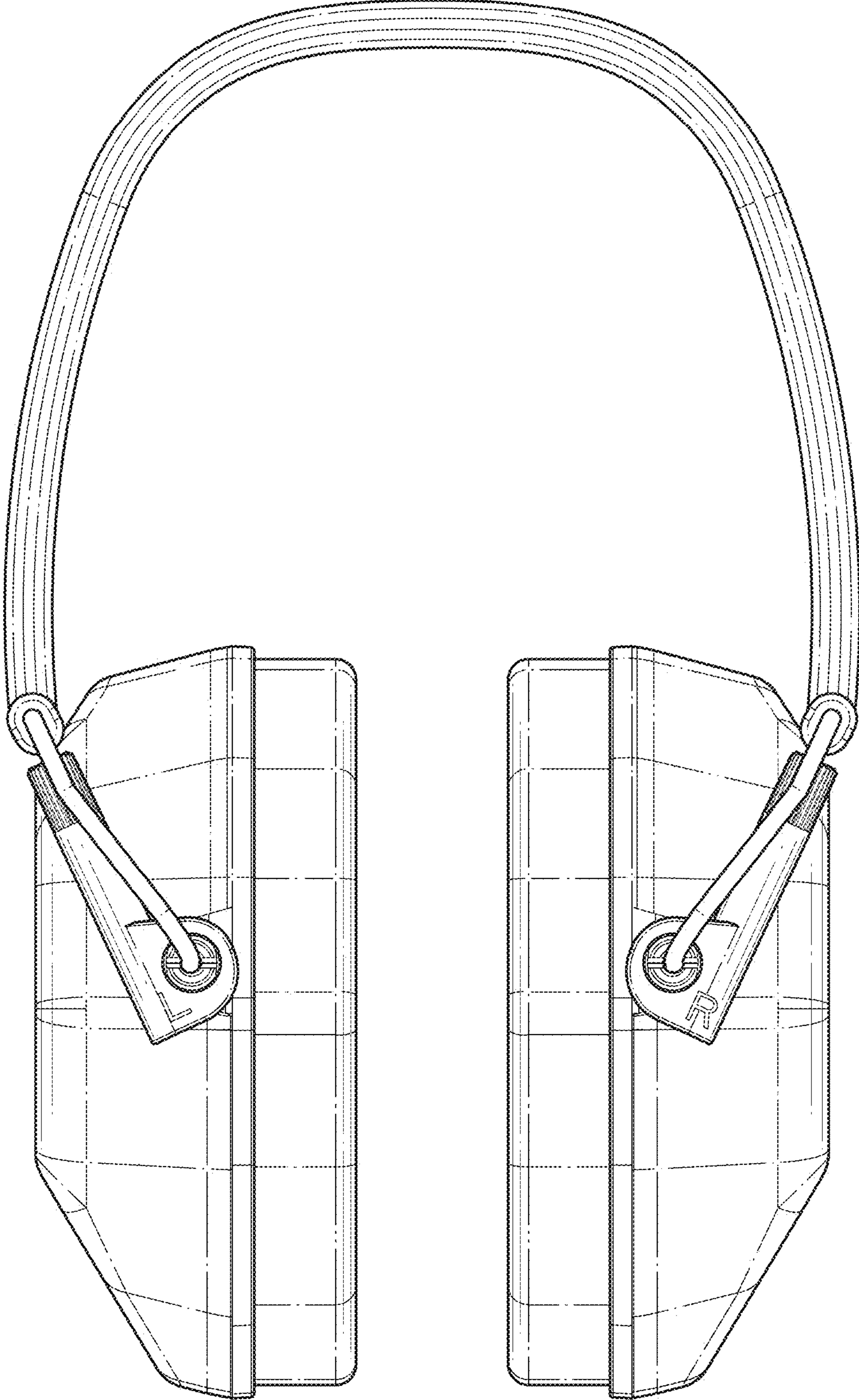


FIG. 3

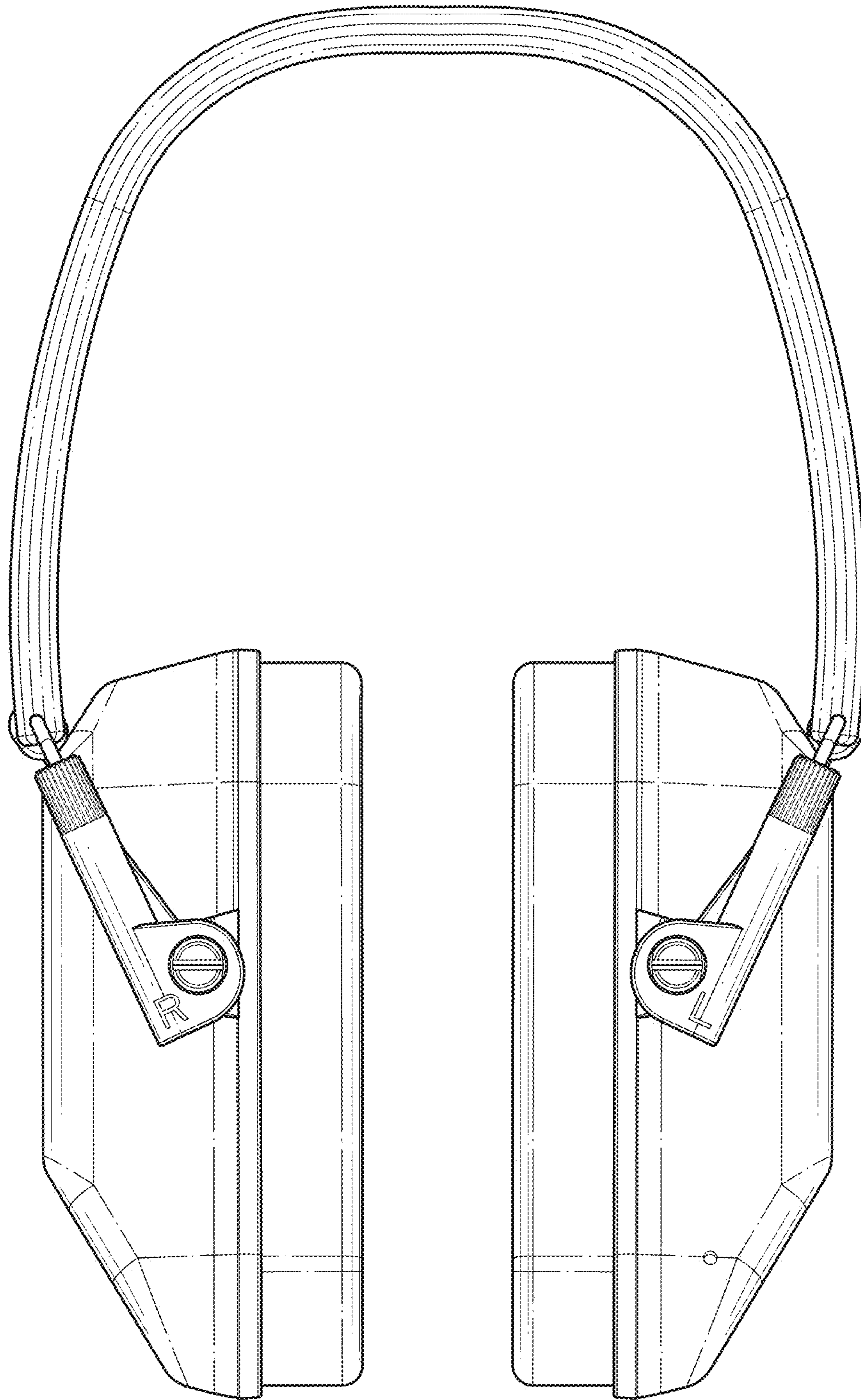


FIG. 4

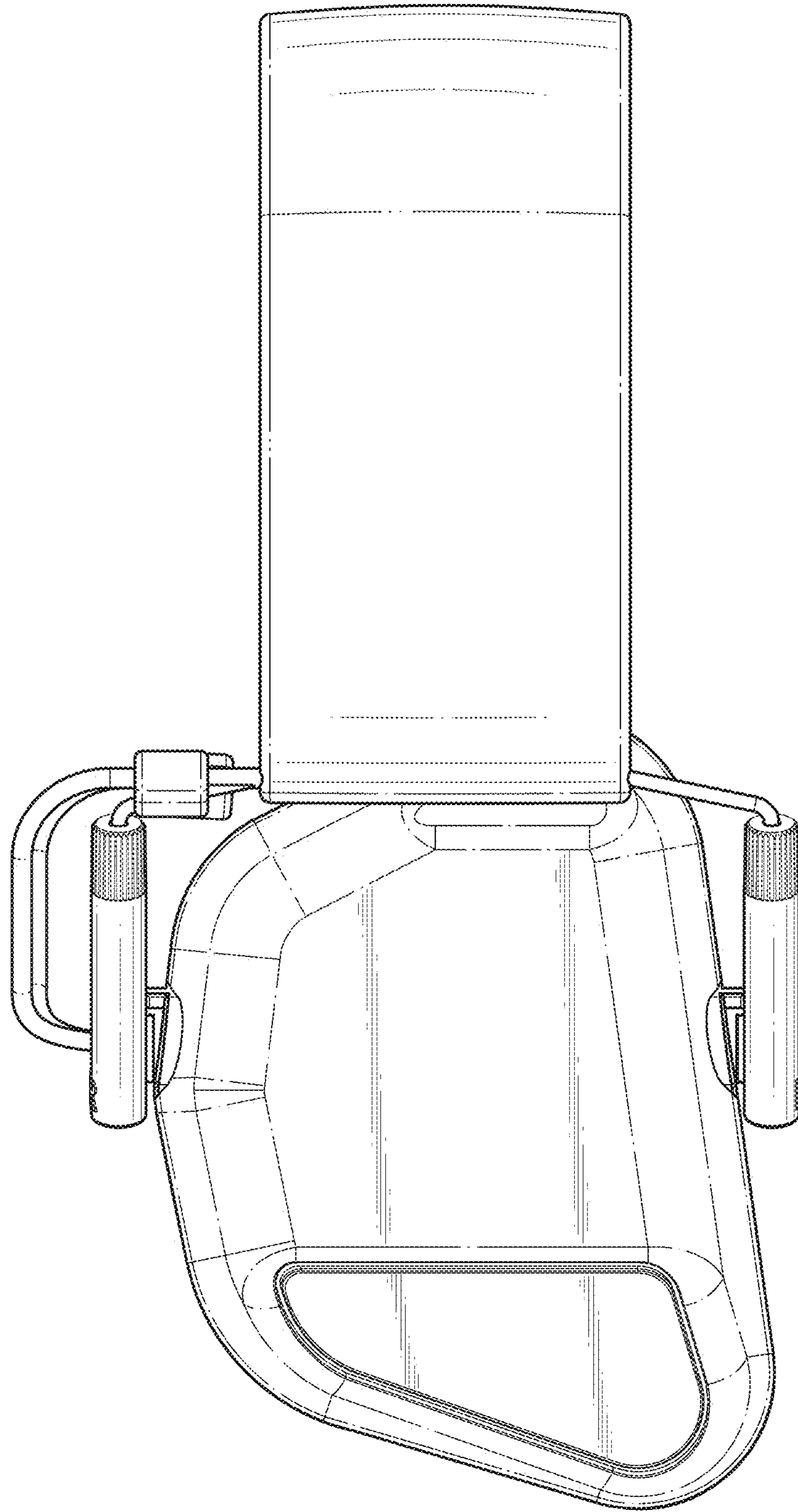


FIG. 5

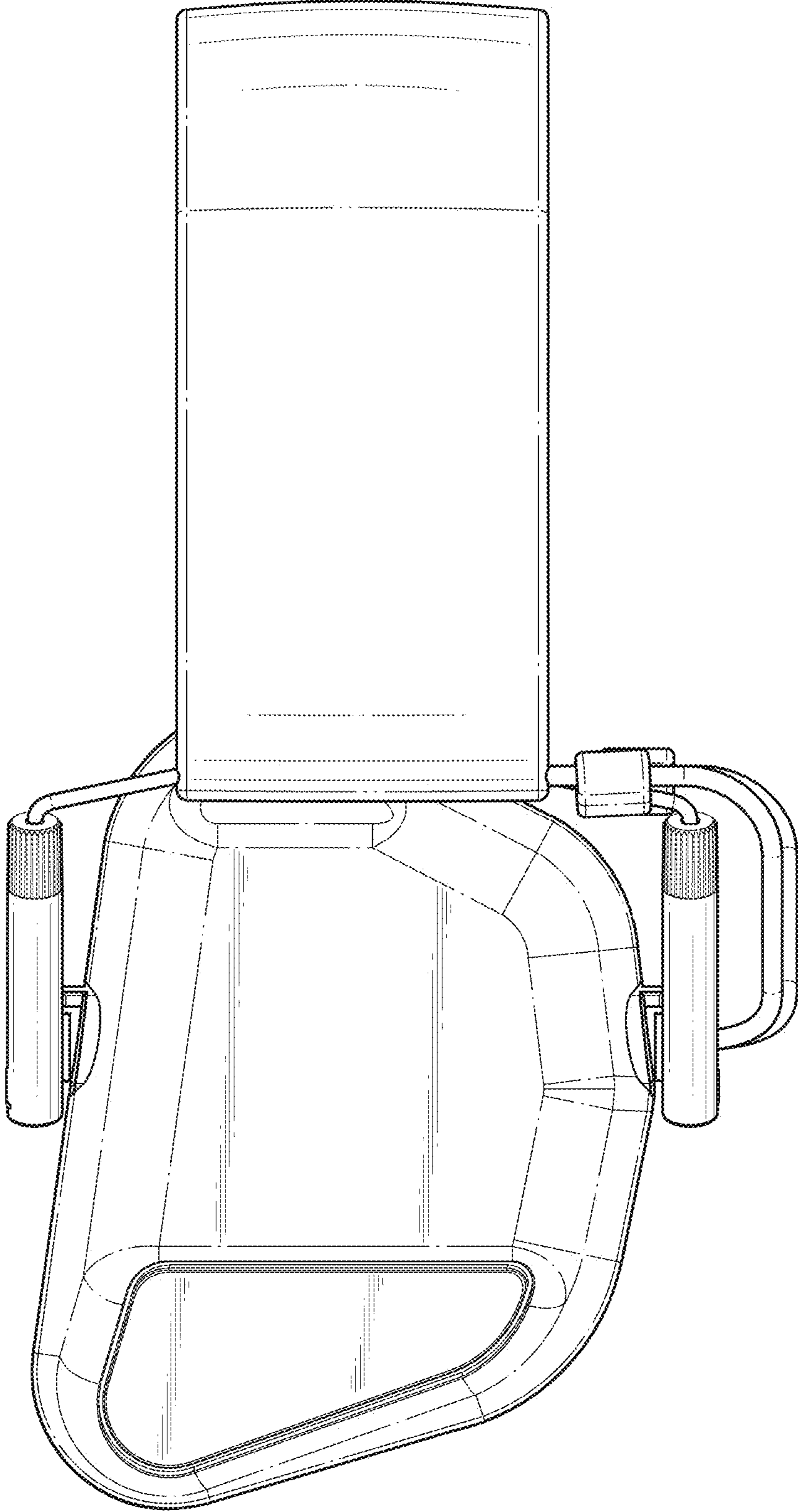


FIG. 6

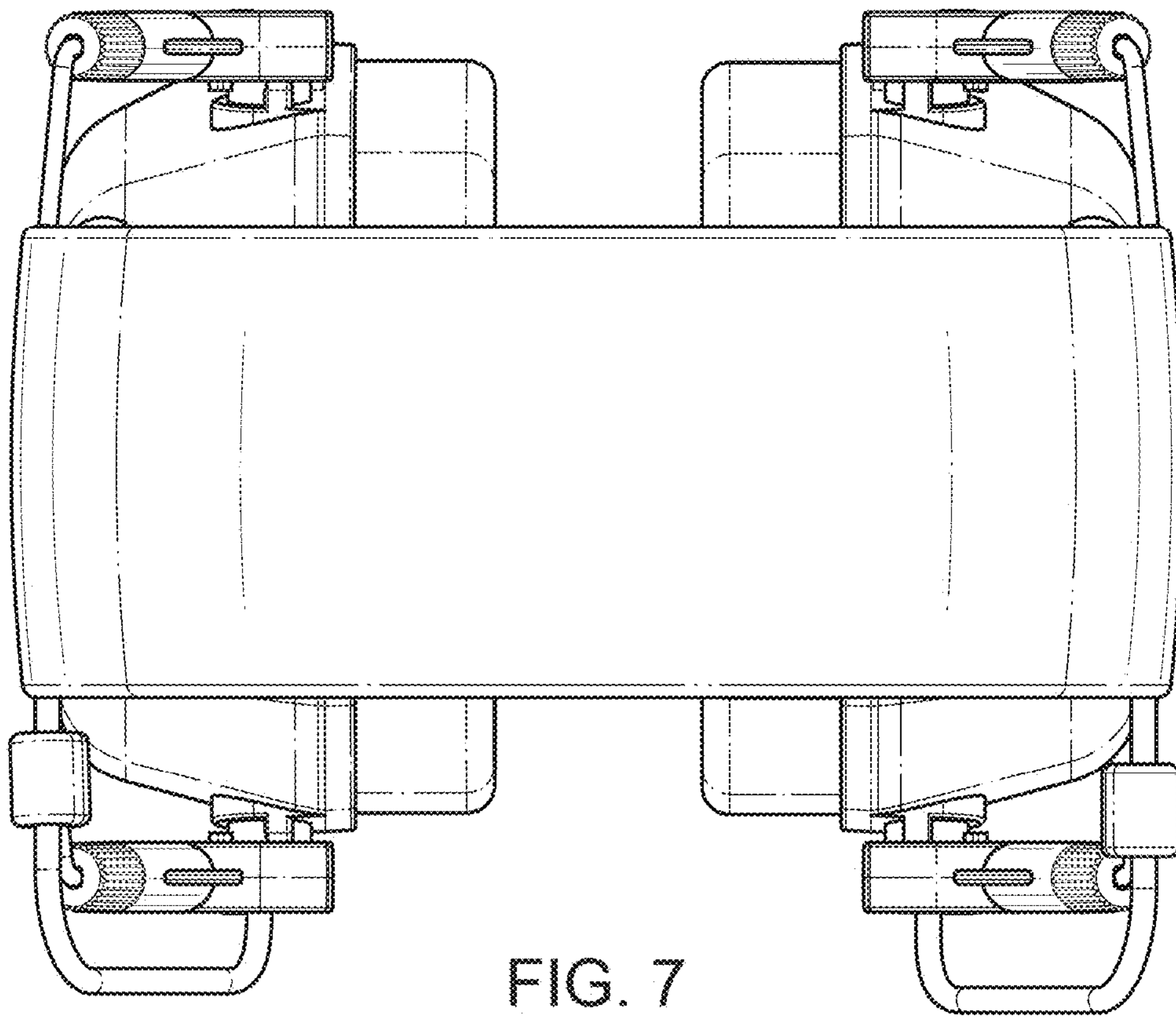


FIG. 7

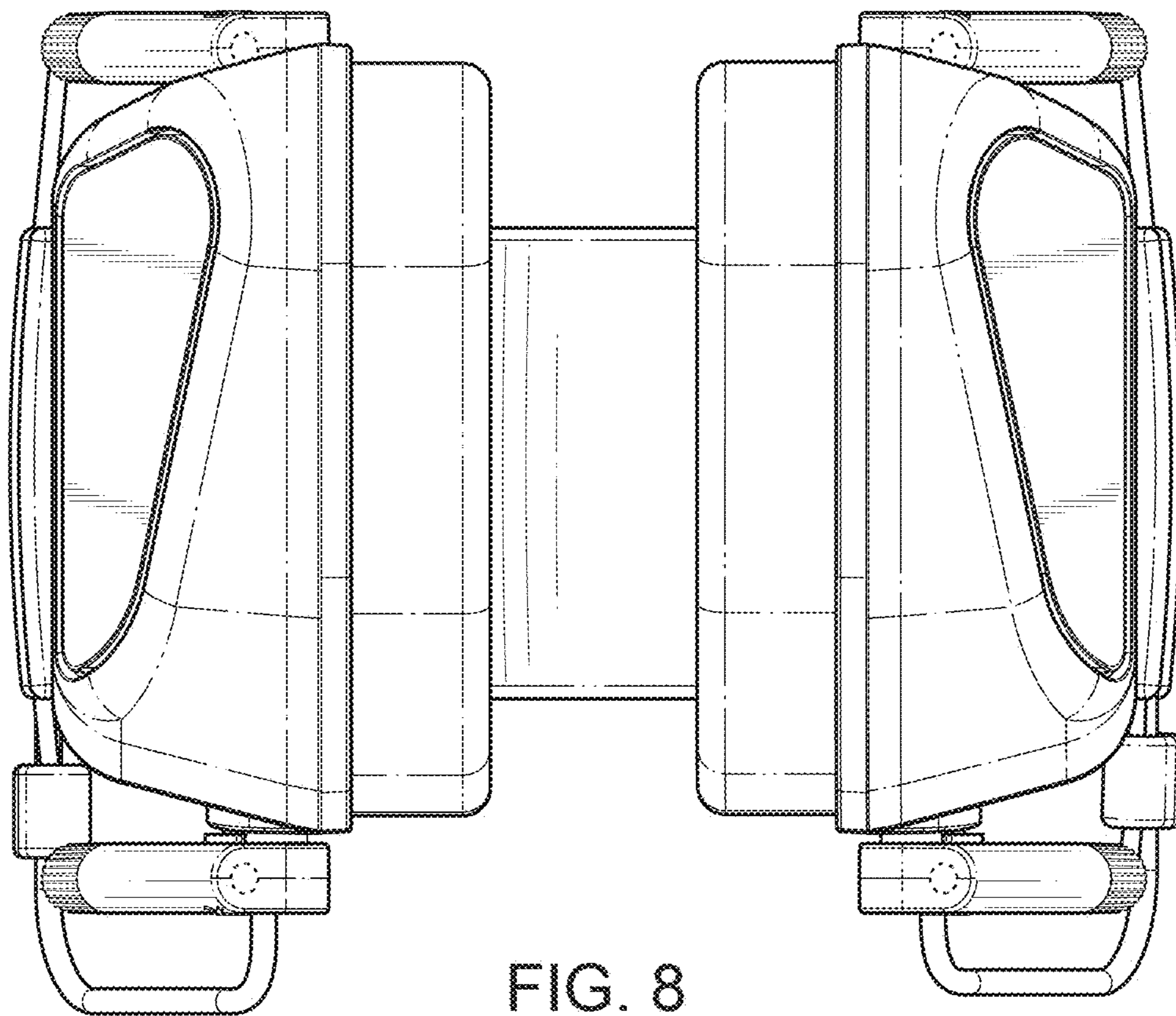


FIG. 8