



US00D921991S

(12) **United States Design Patent**
Huh

(10) **Patent No.:** **US D921,991 S**
(45) **Date of Patent:** **** Jun. 8, 2021**

(54) **WELDER'S HELMET**
(71) Applicant: **OTOS WING.CO., LTD.**, Seoul (KR)
(72) Inventor: **Moon Young Huh**, Seoul (KR)
(73) Assignee: **OTOS WING.CO., LTD.**, Seoul (KR)
(**) Term: **15 Years**

9,009,862 B2 * 4/2015 Huh A61F 9/06
2/8.3
D753,345 S * 4/2016 Yang D29/110
D793,009 S * 7/2017 Yang D29/110
2013/0333089 A1 * 12/2013 Watkins A61F 9/06
2/8.3
2015/0359286 A1 * 12/2015 Sommers A61F 9/06
2/417

(21) Appl. No.: **29/703,694**
(22) Filed: **Aug. 29, 2019**

* cited by examiner

Primary Examiner — Robert A Delehanty
(74) *Attorney, Agent, or Firm* — Kilpatrick Townsend & Stockton LLP

(30) **Foreign Application Priority Data**
Jun. 21, 2019 (KR) 30-2019-0029777
(51) **LOC (13) Cl.** **29-02**
(52) **U.S. Cl.**
USPC **D29/110**
(58) **Field of Classification Search**
USPC D29/122, 109–112
CPC A61F 9/06
See application file for complete search history.

(57) **CLAIM**
The ornamental design for a welder's helmet, as shown and described.

(56) **References Cited**
U.S. PATENT DOCUMENTS
D565,801 S * 4/2008 Curci D29/110
D594,600 S * 6/2009 Huh D29/110

DESCRIPTION
FIG. 1 is a perspective view of the welder's helmet;
FIG. 2 is a front view of the welder's helmet;
FIG. 3 is a back view of the welder's helmet;
FIG. 4 is a left side view of the welder's helmet;
FIG. 5 is a right side view of the welder's helmet;
FIG. 6 is a top plan view of the welder's helmet; and,
FIG. 7 is a bottom plan view of the welder's helmet.
The broken lines are included for the purpose of illustrating portions of the article and form no part of the claimed design.

1 Claim, 7 Drawing Sheets

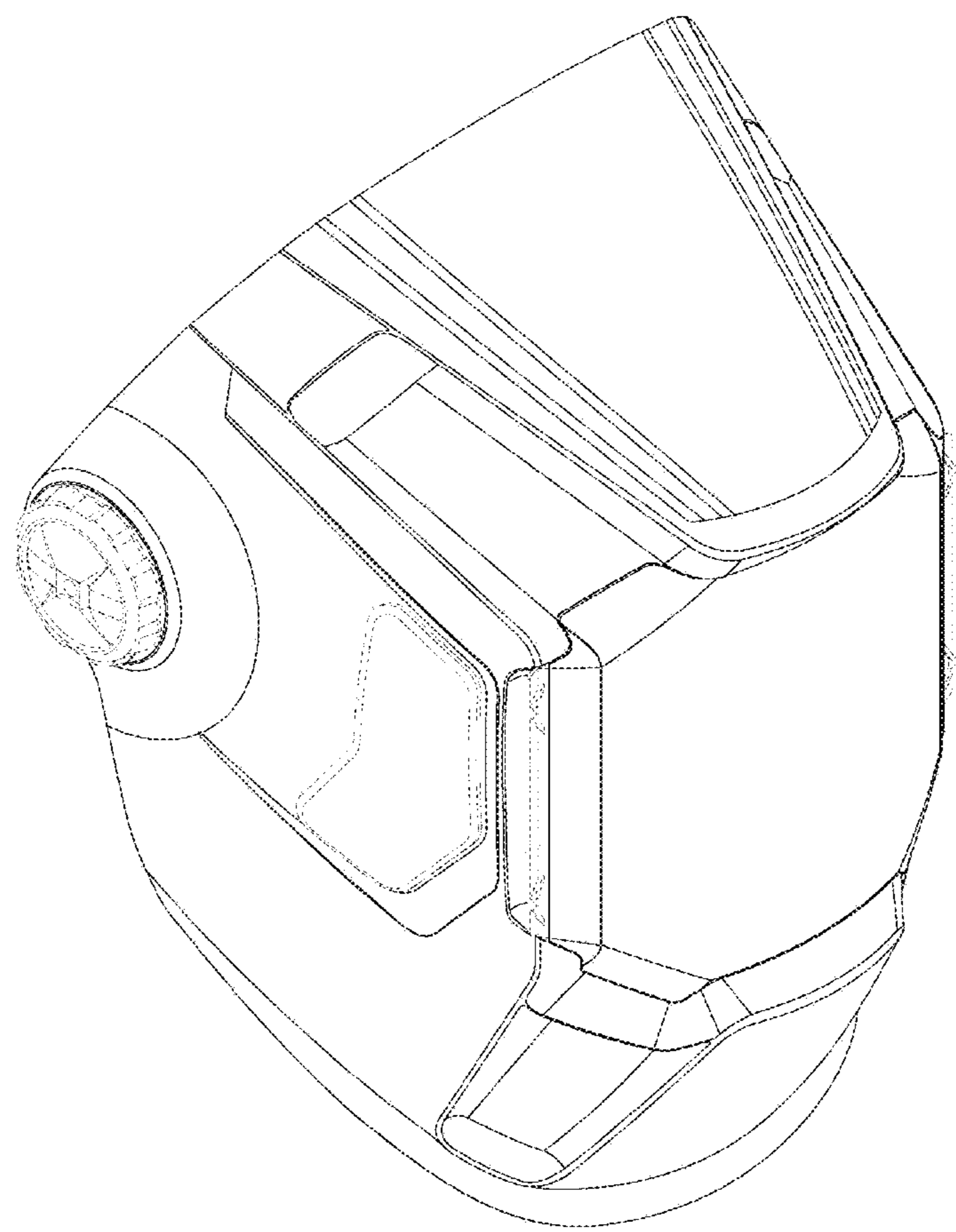


FIG. 1

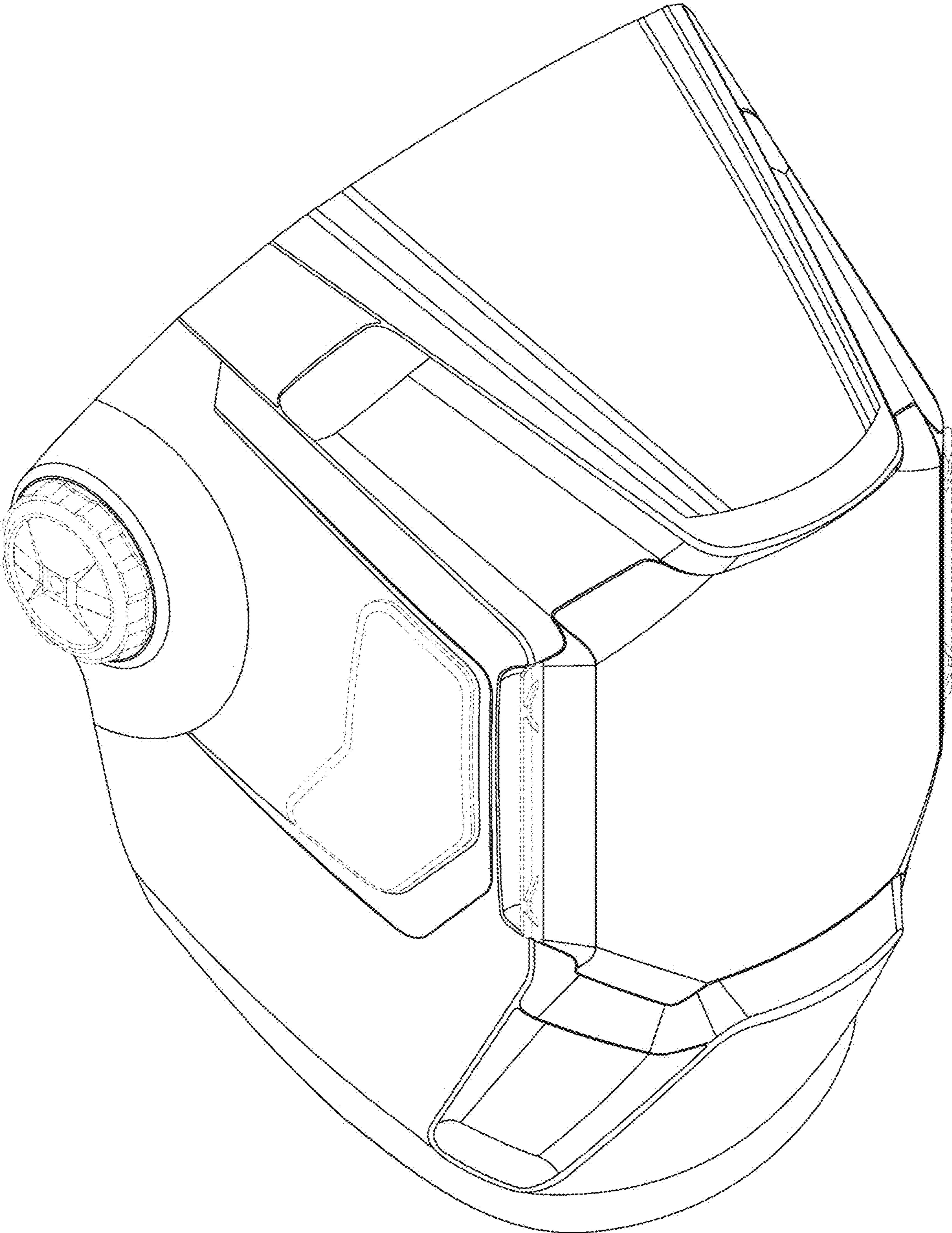


FIG. 2

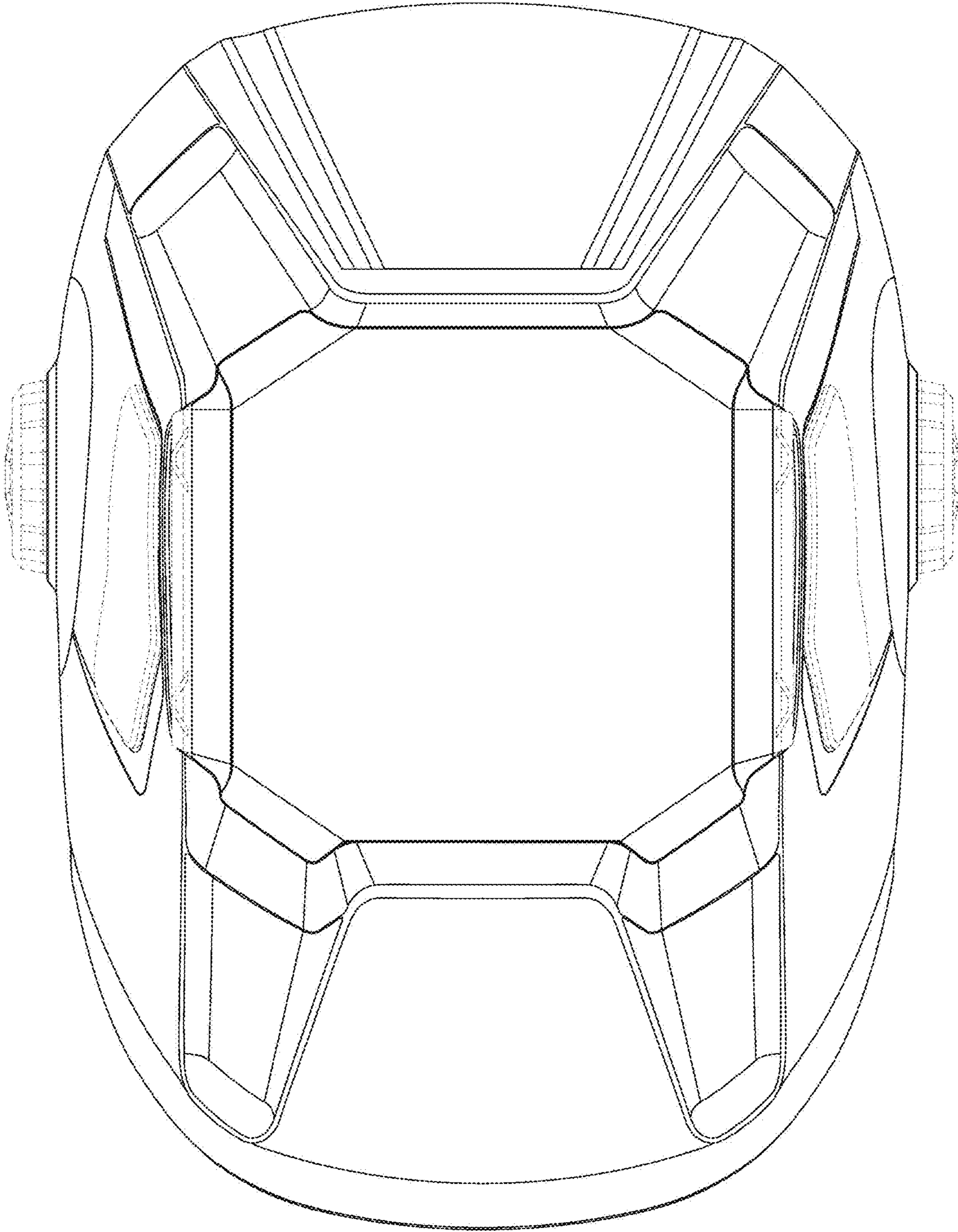


FIG. 3

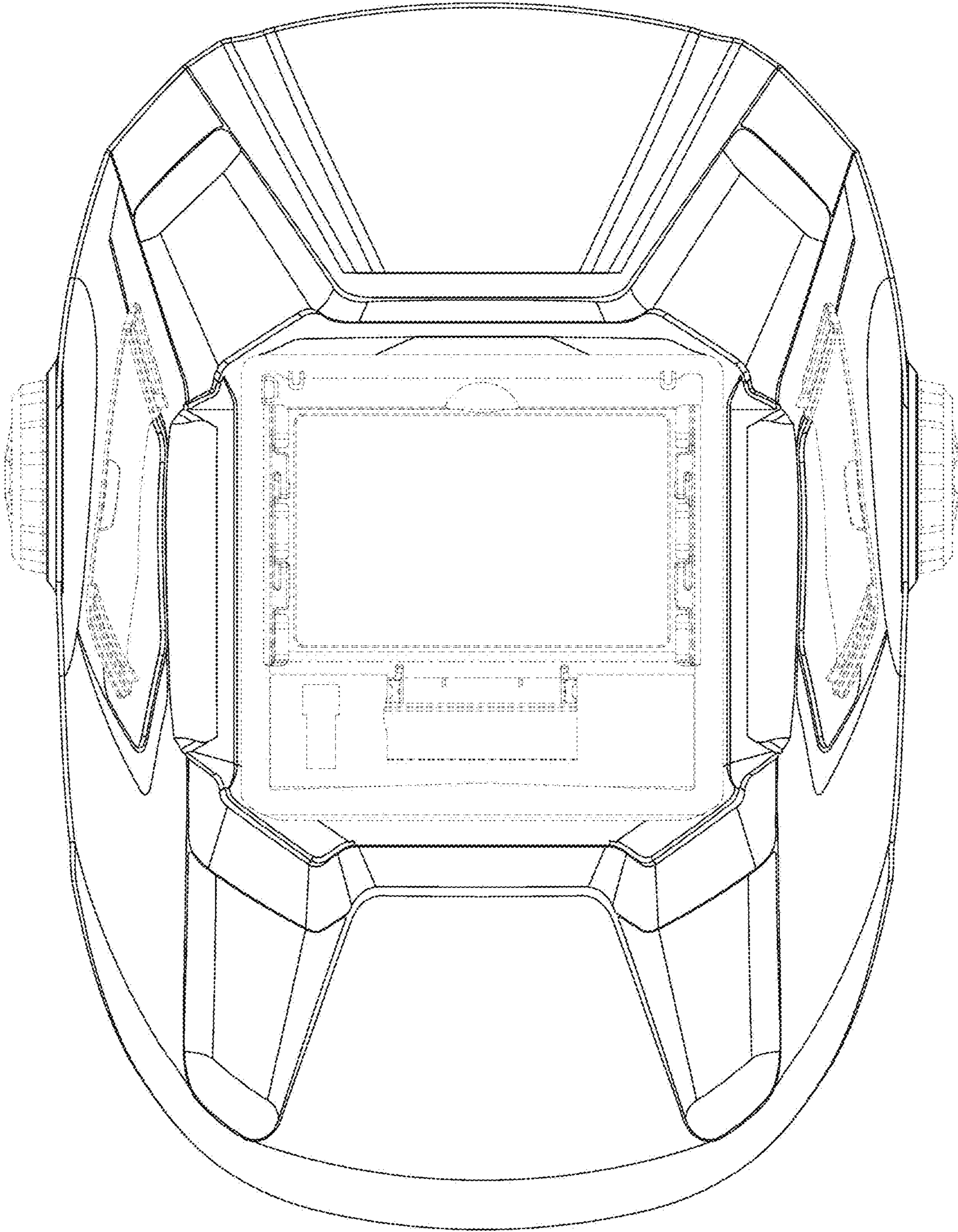


FIG. 4

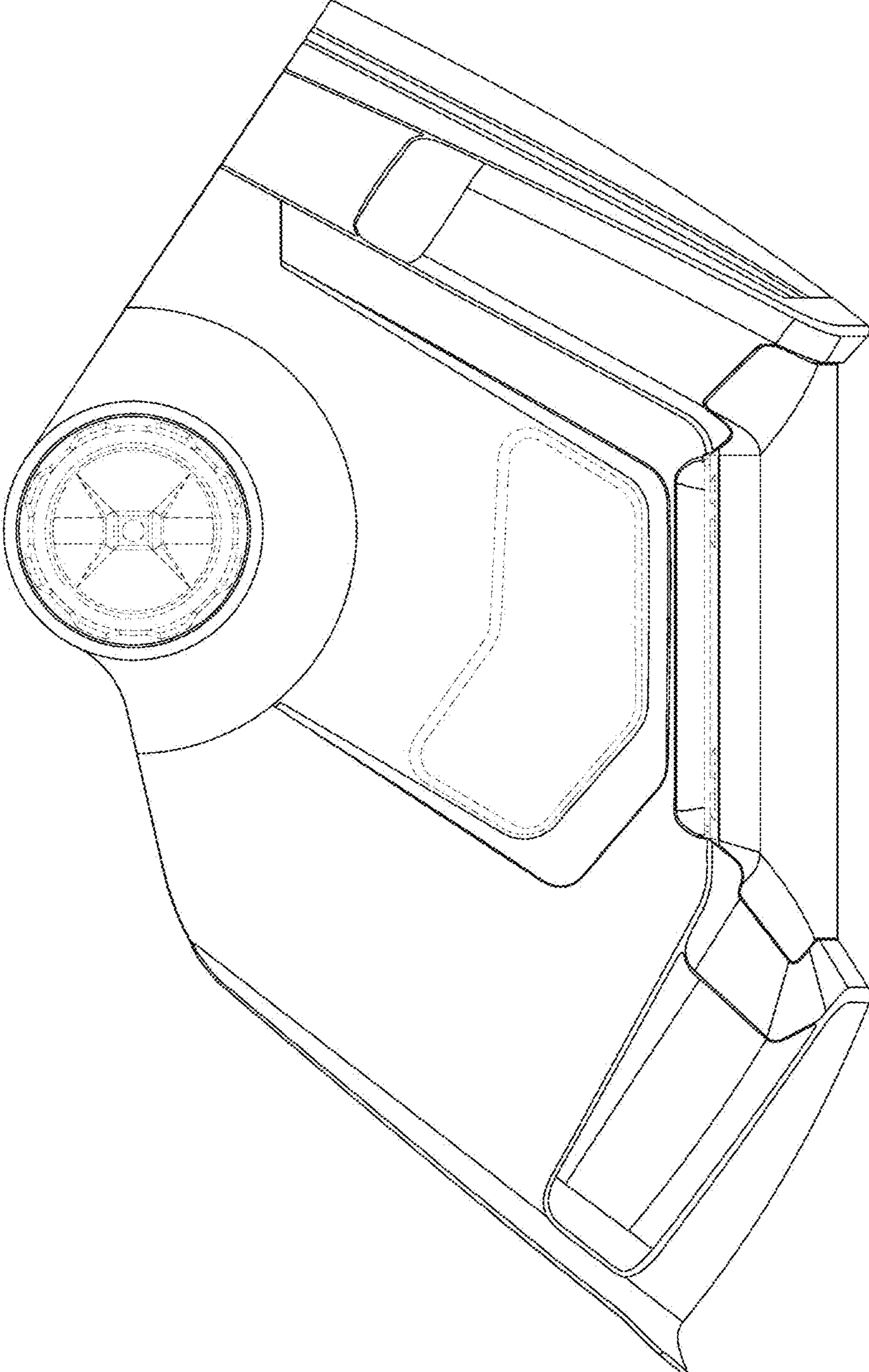


FIG. 5

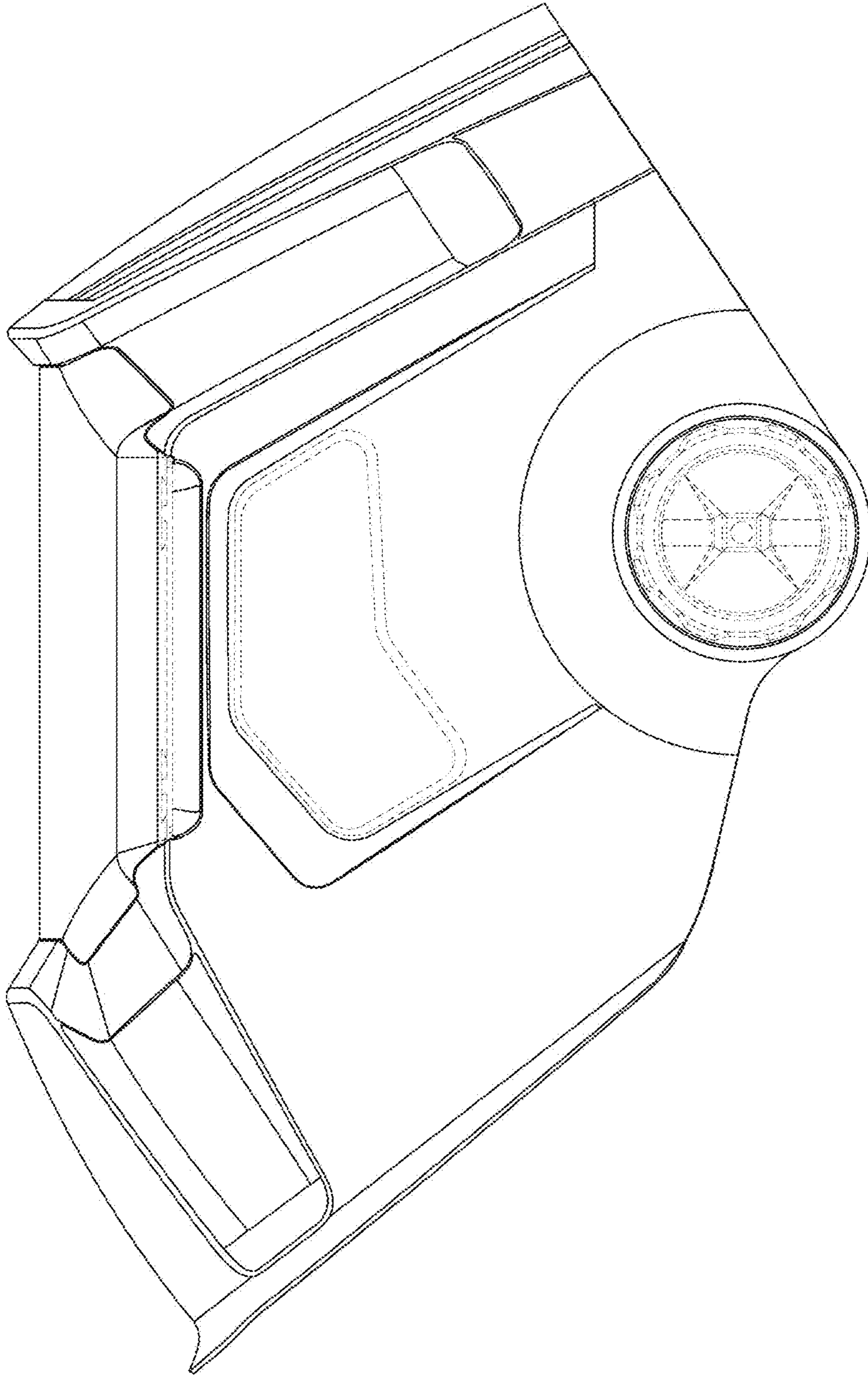


FIG. 6

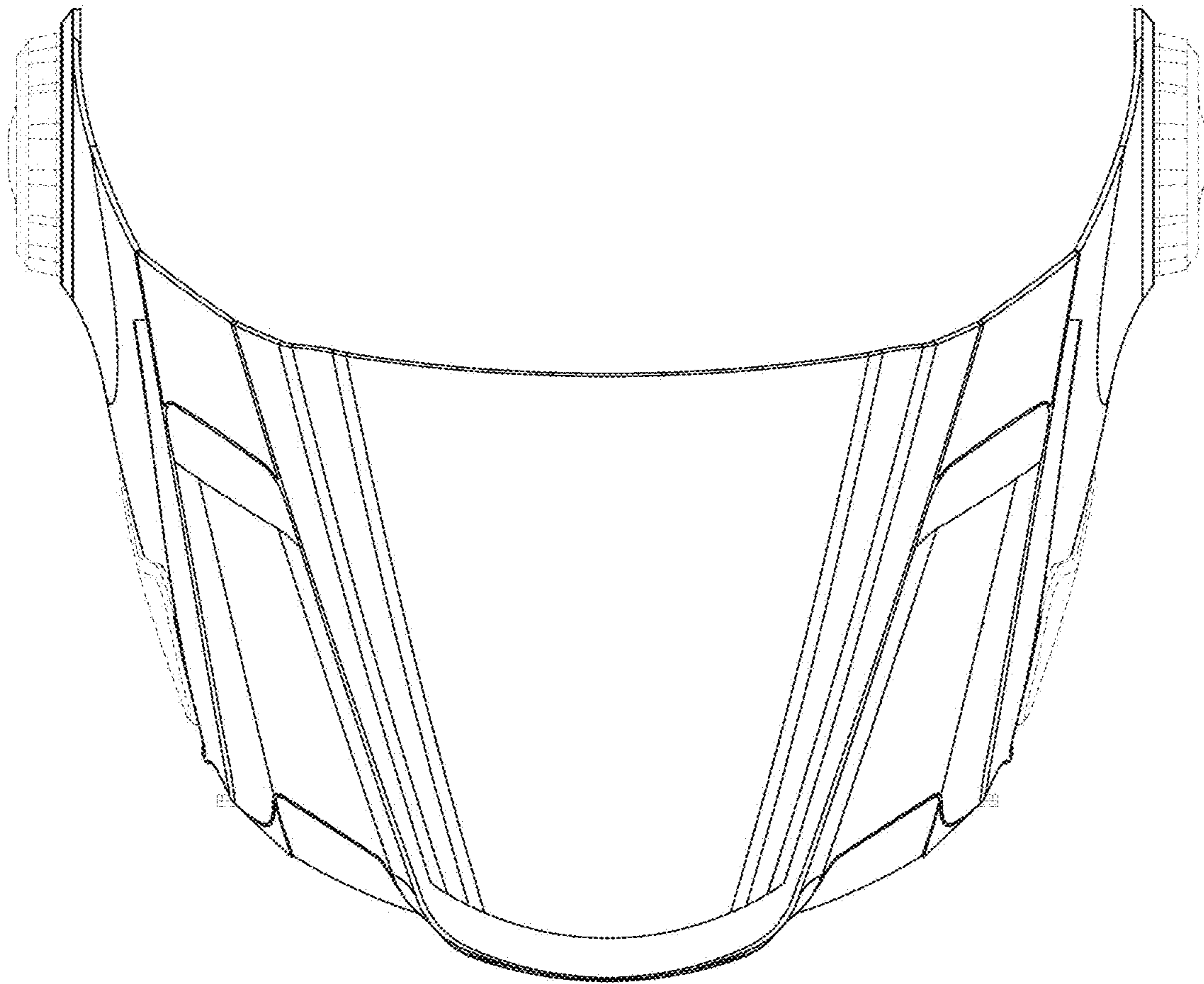


FIG. 7

