



US00D921990S

(12) **United States Design Patent**
Jenkins et al.

(10) **Patent No.:** **US D921,990 S**
(45) **Date of Patent:** **** Jun. 8, 2021**

- (54) **HELMET MODULE**
- (71) Applicant: **BAE Systems plc**, London (GB)
- (72) Inventors: **Jordan Jenkins**, Rochester (GB);
Gavin Firman, Rochester (GB);
Martyn Ingleton, Rochester (GB)
- (73) Assignee: **BAE SYSTEMS plc**, London (GB)
- (**) Term: **15 Years**
- (21) Appl. No.: **29/683,980**
- (22) Filed: **Mar. 18, 2019**
- (30) **Foreign Application Priority Data**

Sep. 18, 2018 (GB) 6044094

- (51) **LOC (13) Cl.** **29-02**
- (52) **U.S. Cl.**
USPC **D29/107**

- (58) **Field of Classification Search**
USPC D29/102-110, 122
CPC A42B 3/00; A42B 3/04; A42B 3/0406;
A42B 3/08; A42B 1/0181; A42B 3/085;
A42B 3/16; A42B 3/18; A42B 3/185;
A42B 3/20; A42B 3/205; A42B 3/22;
A42B 3/221; A42B 3/222; A42B 3/223;
A42B 3/225; A42B 3/228; A42B 3/042;
A42B 3/0453; A42B 3/046; A42B 3/30;
A41D 13/1184; F41H 1/04; F41H 1/06;
F41H 1/08

See application file for complete search history.

(56) **References Cited**

U.S. PATENT DOCUMENTS

- 3,473,166 A 10/1969 Labelle
- 3,686,690 A 8/1972 Webb
- 4,028,739 A * 6/1977 Bell A42B 3/228
2/6.3
- D323,042 S 1/1992 Gallet

- D323,225 S * 1/1992 Gallet D29/107
- 5,095,551 A 3/1992 Chin
- D351,256 S * 10/1994 Gallet D29/102
- D353,691 S * 12/1994 Scanlon D29/110
- 5,822,126 A 10/1998 Cursolle et al.
- 5,901,369 A * 5/1999 Pilney A42B 3/22
2/6.5
- 6,160,666 A 12/2000 Rallison et al.
- 6,342,872 B1 1/2002 Potin et al.
- D485,947 S * 1/2004 Pelletier D29/107
- 6,795,977 B2 * 9/2004 Basson A42B 3/042
2/422
- 6,795,978 B2 * 9/2004 Fournier A42B 3/10
2/424
- 6,820,285 B2 11/2004 Bataille et al.
- D510,644 S * 10/2005 Batstone D29/107
- 7,170,058 B2 1/2007 Miyano et al.
- D547,007 S * 7/2007 Schindler D29/107

(Continued)

OTHER PUBLICATIONS

BAE Systems hi-tech helmets for pilots and infantry (on-line), dated Feb. 24, 2014. Retrieved from Internet Apr. 15, 2021, URL: <https://stratpost.com/bae-systems-hi-tech-helmets-for-pilots-and-infantry-at-defexpo/> (2 pages) (Year: 2014).*

(Continued)

Primary Examiner — Kimberly Barnes
(74) *Attorney, Agent, or Firm* — Finch & Maloney PLLC

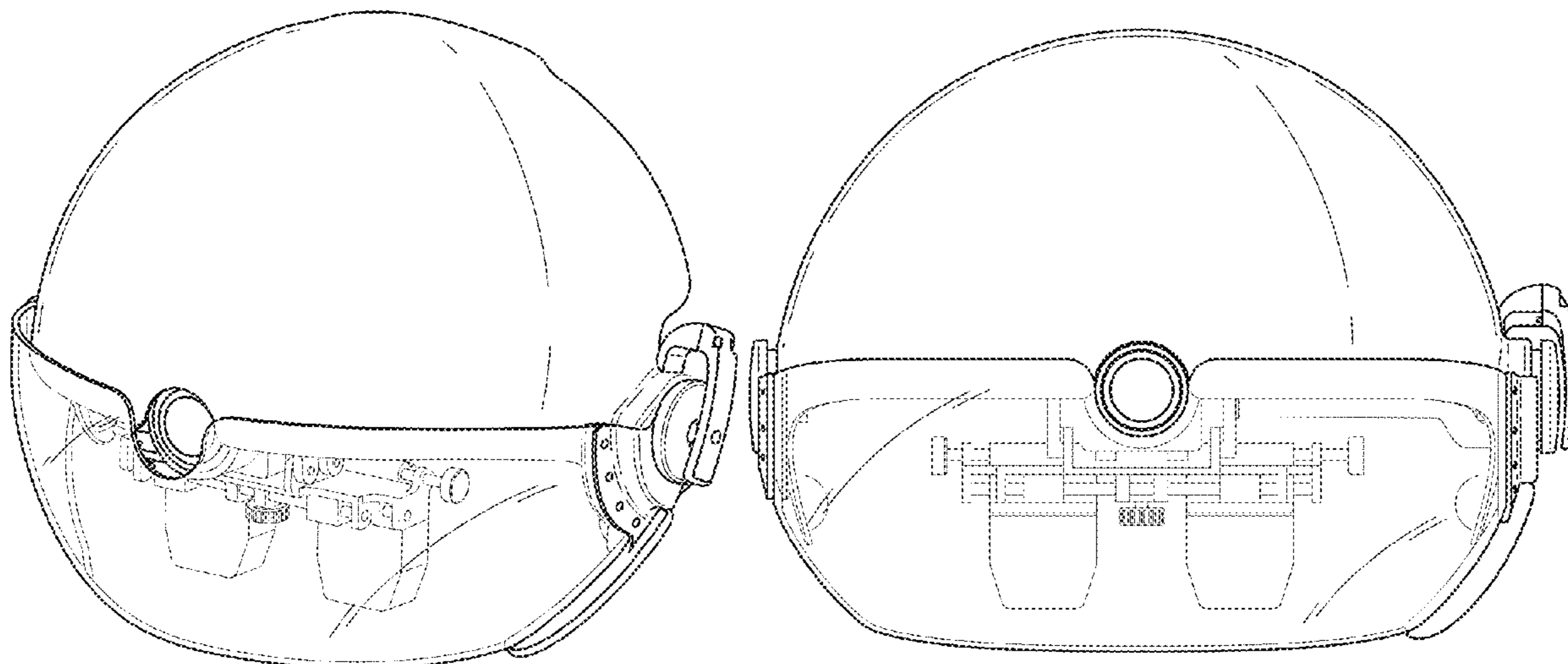
(57) **CLAIM**

The ornamental design for a helmet module, as shown and described.

DESCRIPTION

FIG. 1 is front, side and top perspective view of a helmet module showing our new design; FIG. 2 is front elevational view thereof; and, FIG. 3 is a top plan view thereof.

1 Claim, 3 Drawing Sheets



(56)

References Cited

U.S. PATENT DOCUMENTS

D583,107 S 12/2008 Morency et al.
 D632,437 S 2/2011 Lebel et al.
 D638,169 S * 5/2011 Lebel D29/107
 8,225,419 B2 7/2012 Hersick et al.
 D679,866 S * 4/2013 Basson D29/106
 D734,559 S * 7/2015 Noordzij D29/110
 9,125,447 B2 9/2015 Lebel et al.
 D741,325 S 10/2015 Bosveld et al.
 D741,859 S 10/2015 Bosveld et al.
 D750,329 S 2/2016 Leahy et al.
 9,408,430 B2 * 8/2016 Guay A42B 3/222
 9,439,470 B2 * 9/2016 McGinn A42B 3/326
 9,456,649 B2 10/2016 Basson
 D801,587 S 10/2017 Rieck et al.
 9,788,593 B2 10/2017 Lebel et al.
 D813,462 S * 3/2018 Axelsson D29/107
 10,051,908 B2 8/2018 Redpath et al.

D827,937 S 9/2018 Lussier et al.
 10,349,698 B2 7/2019 McCashin et al.
 D868,878 S 12/2019 Langenwaller et al.
 10,702,004 B2 7/2020 Gagliardo et al.
 D908,291 S * 1/2021 Jenkins D29/122
 2009/0144872 A1 * 6/2009 Lebel A42B 3/221
 2/6.7
 2010/0132085 A1 * 6/2010 Beaudet A42B 3/228
 2/6.5
 2018/0231404 A1 8/2018 Kitain et al.
 2020/0278557 A1 9/2020 Greenstein et al.
 2020/0292831 A1 9/2020 Jenkins et al.

OTHER PUBLICATIONS

BAE Systems, The Striker II Helmet-Mounted Display, <https://twitter.com/baesystemsplc/status/1019869614363365376> (Jul. 19, 2018) (retrieved from Internet Sep. 12, 2020).

* cited by examiner

FIG. 1

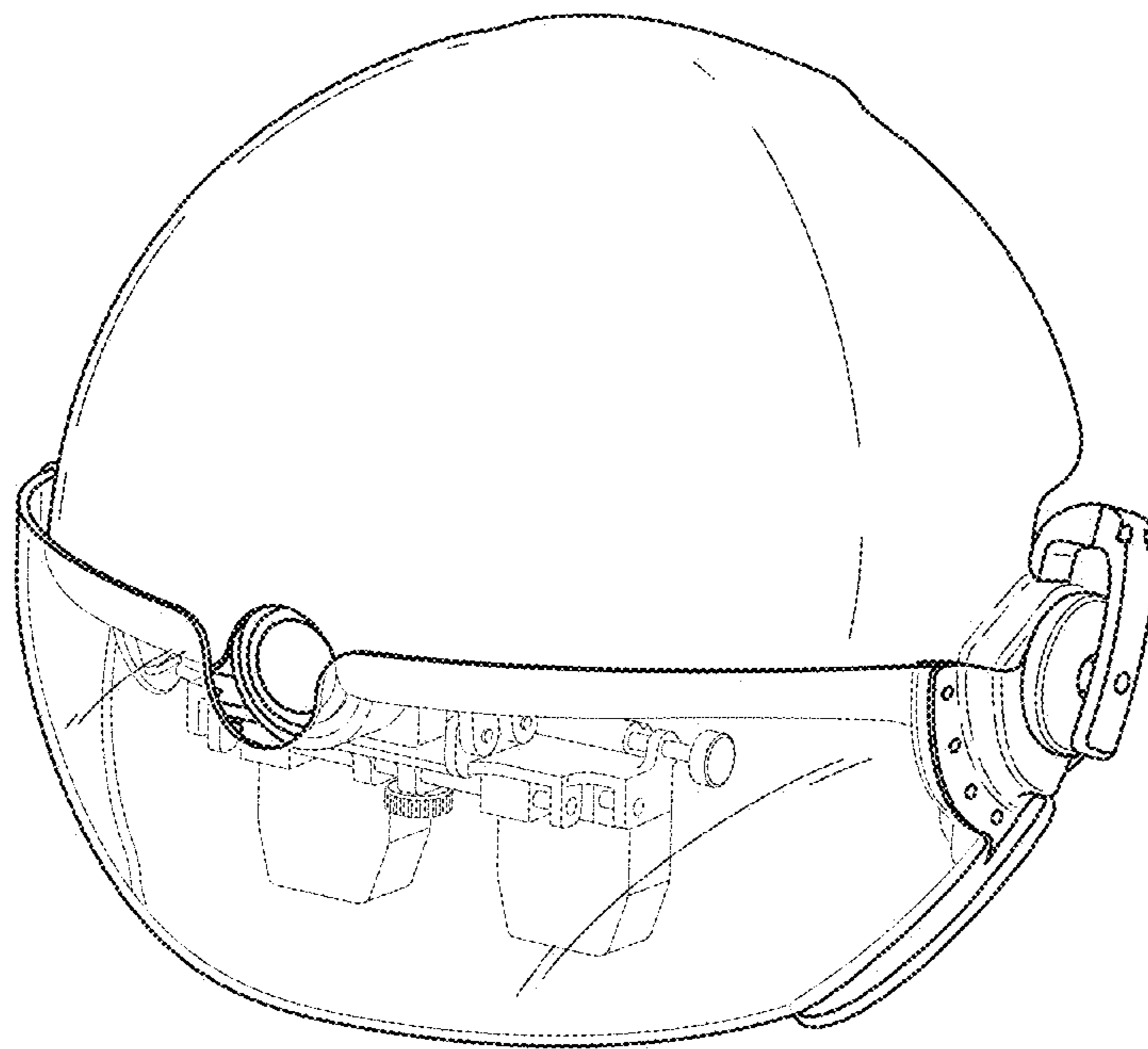


FIG. 2

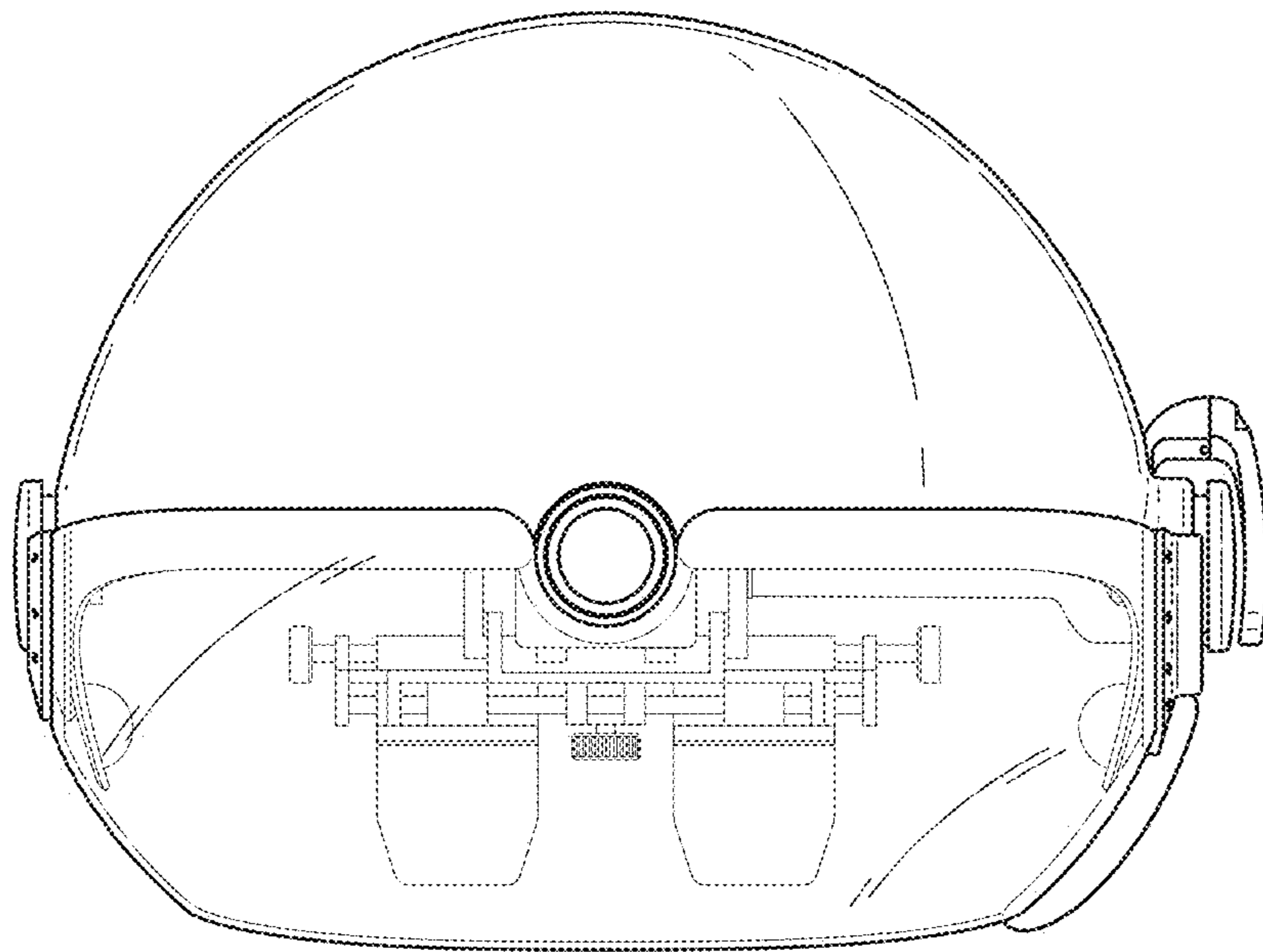


FIG. 3

