



US00D921988S

(12) **United States Design Patent**
Barnett

(10) **Patent No.:** **US D921,988 S**
(45) **Date of Patent:** **** Jun. 8, 2021**

(54) **CONTAINER FOR COSMETIC SPONGE APPLICATOR**

(71) Applicant: **REA.DEEMING BEAUTY, INC.**,
Bethlehem, PA (US)

(72) Inventor: **Seth Barnett**, Oceanside, NY (US)

(73) Assignee: **REA.DEEMING BEAUTY, INC.**,
Bethlehem, PA (US)

(**) Term: **15 Years**

(21) Appl. No.: **29/679,778**

(22) Filed: **Feb. 8, 2019**

(51) **LOC (13) Cl.** **28-03**

(52) **U.S. Cl.**
USPC **D28/76; D9/452**

(58) **Field of Classification Search**
USPC D28/73, 76, 82; D9/772-773, 502-504,
D9/548, 551, 549, 452, 454, 455

CPC A45D 2200/05-051; A45D 44/18; A45D
34/041; A45D 34/04; A45D 40/0068;
A45D 2034/002; A45D 33/34

See application file for complete search history.

(56) **References Cited**

U.S. PATENT DOCUMENTS

D246,229	S	*	11/1977	Saunders	D9/772
D420,766	S	*	2/2000	Coates	D28/76
D698,089	S	*	1/2014	Smith	D28/76
9,220,391	B1	*	12/2015	Henninger	A47L 13/51
9,226,563	B2	*	1/2016	Silva	A45D 44/005
D769,119	S	*	10/2016	Hooker	D9/452
D791,591	S	*	7/2017	Berge	D9/452
D819,456	S	*	6/2018	Gomez Martin	D9/734
D822,282	S	*	7/2018	Montoli	A45D 33/006 D28/82

(Continued)

FOREIGN PATENT DOCUMENTS

WO WO-2018073556 A1 * 4/2018 A45F 5/00
WO WO-2020097323 A1 * 5/2020 A45D 40/26

Primary Examiner — Jennifer Rivard

(74) *Attorney, Agent, or Firm* — Concept IP LLP; Pejman Yedidsion

(57) **CLAIM**

The ornamental design for a container for cosmetic sponge applicator, as shown and described.

DESCRIPTION

FIG. 1 is a perspective view of a container for cosmetic sponge applicator showing the new design;

FIG. 2 is a front elevational view of the embodiment of FIG. 1 with a base portion attached to the cap portion, where the rear elevational view is a mirror image of the front elevational view;

FIG. 3 is a left side elevational view of the embodiment of FIG. 1 with the base portion attached to the cap portion, where the right side elevational view is a mirror image of the left side elevational view;

FIG. 4 is a cross-sectional view of the container of FIG. 1 taken along line 4-4 with the base portion attached to the cap portion;

FIG. 5 is a front elevational view of the embodiment of FIG. 1 showing the cap portion;

FIG. 6 is a rear elevational view of the embodiment of FIG. 1 showing the cap portion;

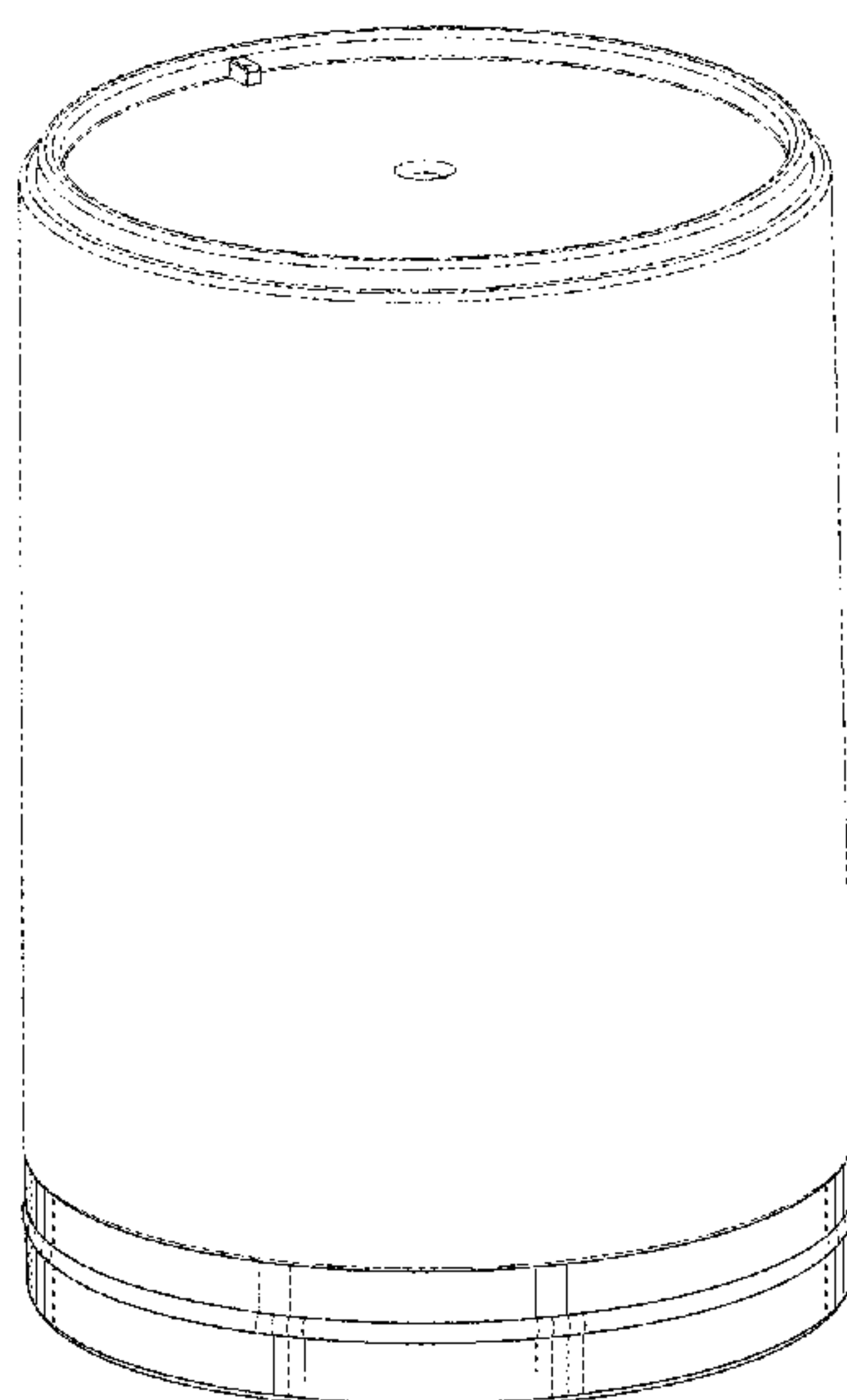
FIG. 7 is a top plan view of the embodiment of FIG. 1;

FIG. 8 is a bottom plan view of the embodiment of FIG. 1 showing the cap portion; and,

FIG. 9 is a perspective view of the embodiment of FIG. 1 showing the cap portion.

Surface shading is used to shade FIGS. 1-9 to show clearly the character and contour of all surfaces of the 3-dimensional aspects of the design and form a part of the design sought to be protected. The broken lines illustrate portions of the container and form no part of the claimed design.

1 Claim, 8 Drawing Sheets



(56)

References Cited

U.S. PATENT DOCUMENTS

D842,653 S * 3/2019 Osorio-Franco D7/511
D866,864 S * 11/2019 Silva D28/76
D892,616 S * 8/2020 Neputy D9/452
D898,292 S * 10/2020 Groffsky A45D 40/04
D28/76
10,799,017 B2 * 10/2020 Kieu A45D 40/262
2017/0303655 A1 * 10/2017 Hamze A45D 40/24
2018/0132592 A1 * 5/2018 Chung A45D 40/22
2018/0168333 A1 * 6/2018 Zeilah A46B 17/04
2019/0274420 A1 * 9/2019 Zeilah A46B 17/04
2019/0298033 A1 * 10/2019 Silva A45D 34/00
2019/0300241 A1 * 10/2019 Lin A45D 40/0068
2020/0056844 A1 * 2/2020 Palmer A45D 34/00
2020/0148462 A1 * 5/2020 Brugger B65D 83/0011
2020/0253355 A1 * 8/2020 Silva A45C 11/008
2020/0337442 A1 * 10/2020 Fearing A45D 42/08

* cited by examiner

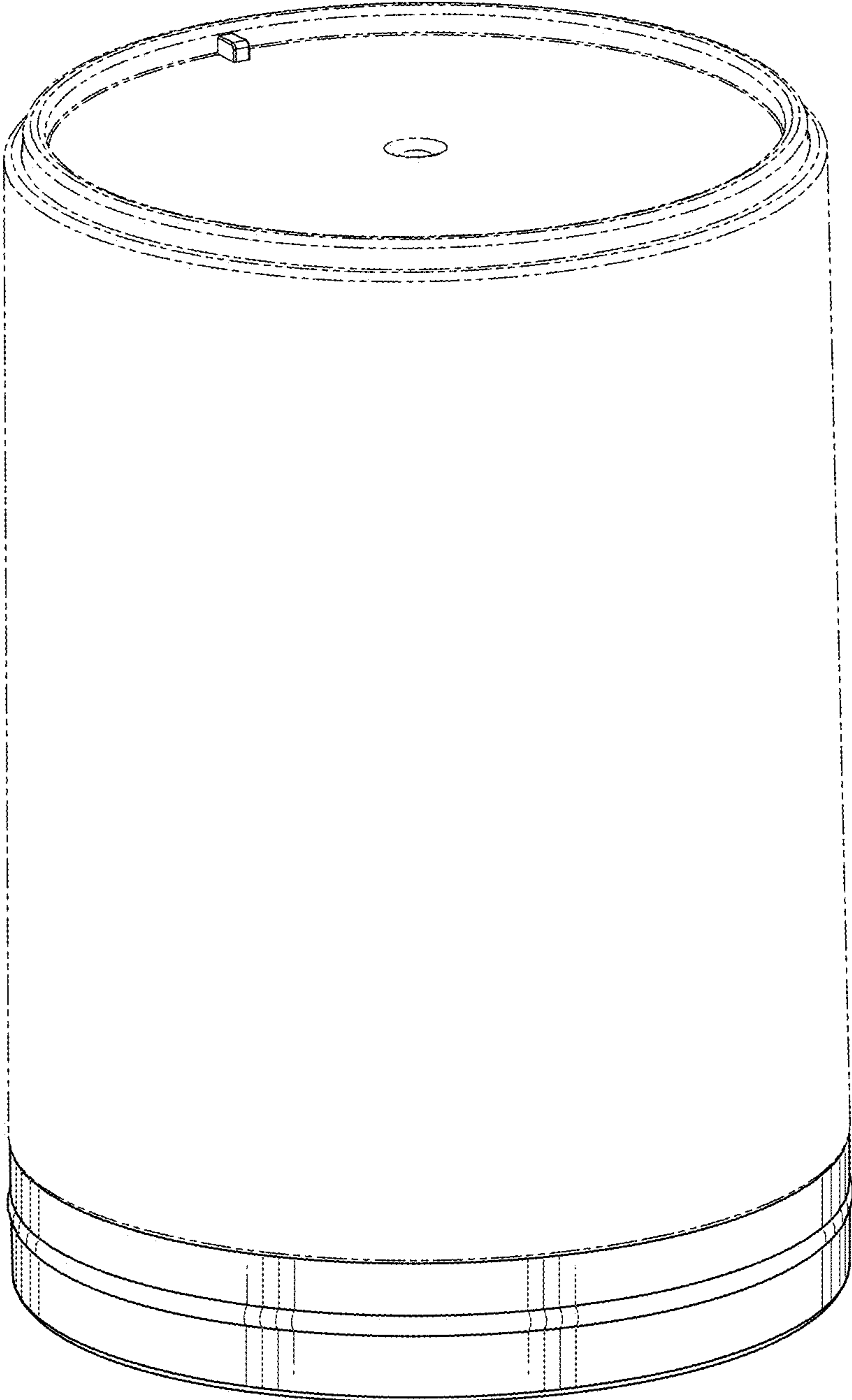


FIG. 1

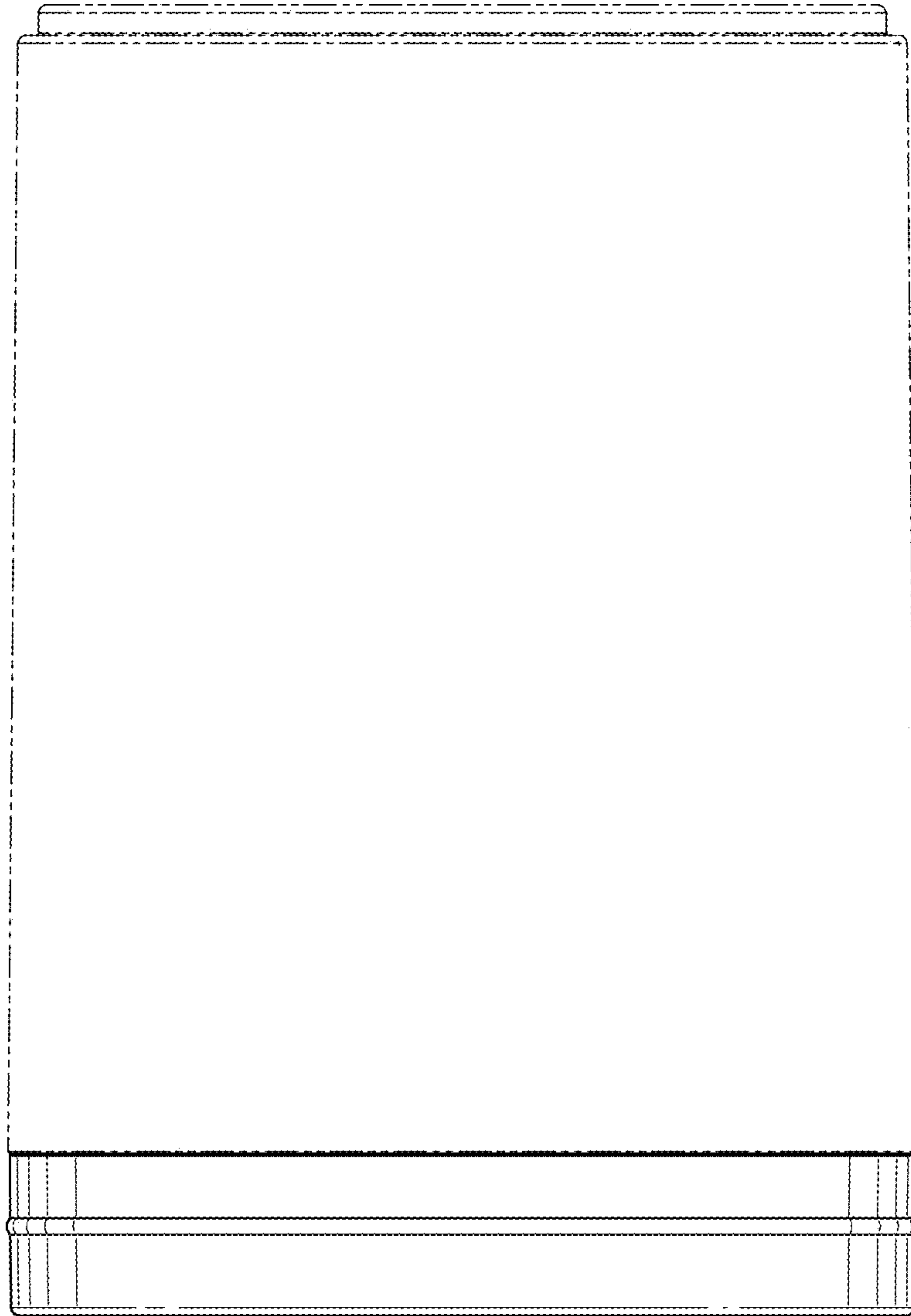


FIG. 2

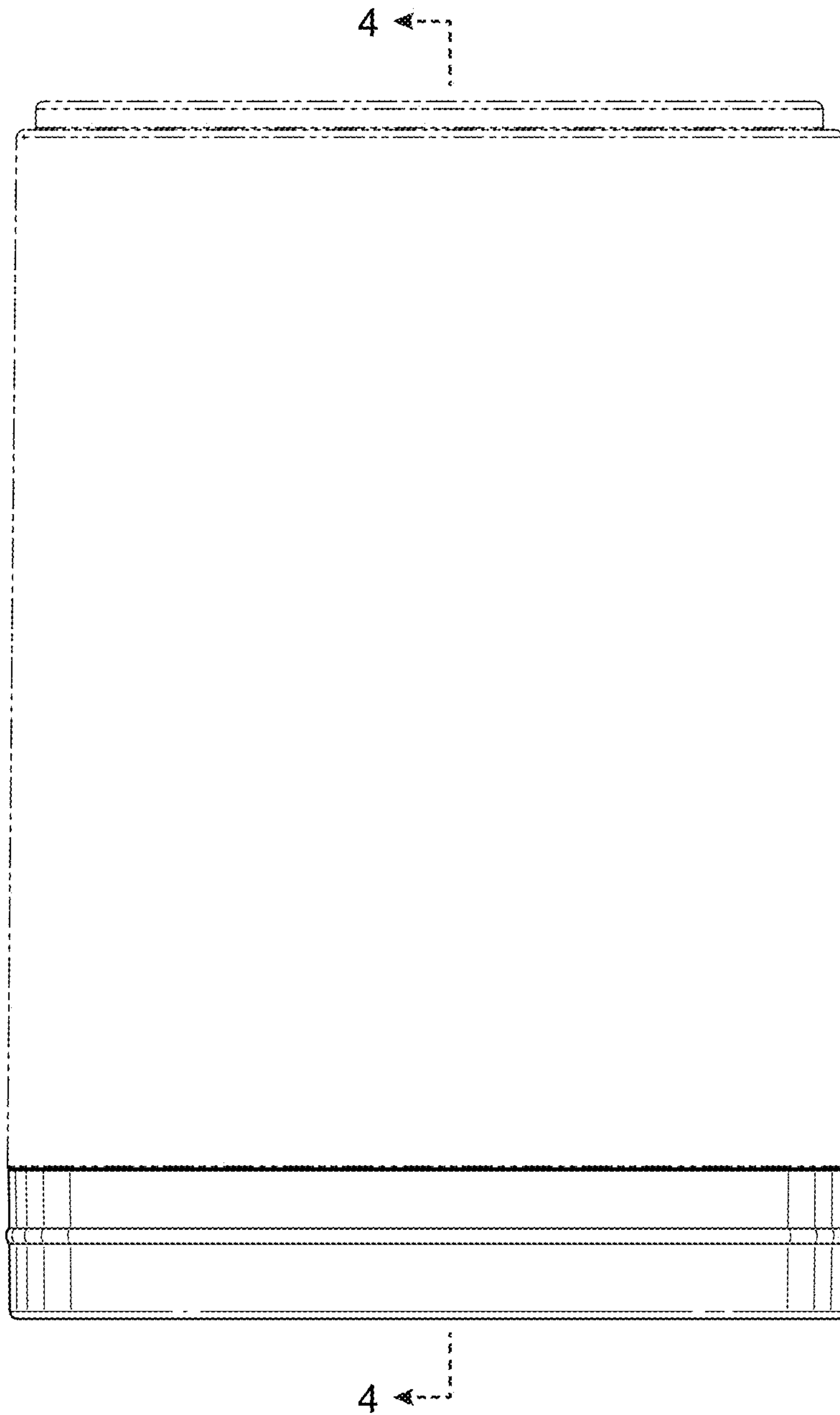


FIG. 3

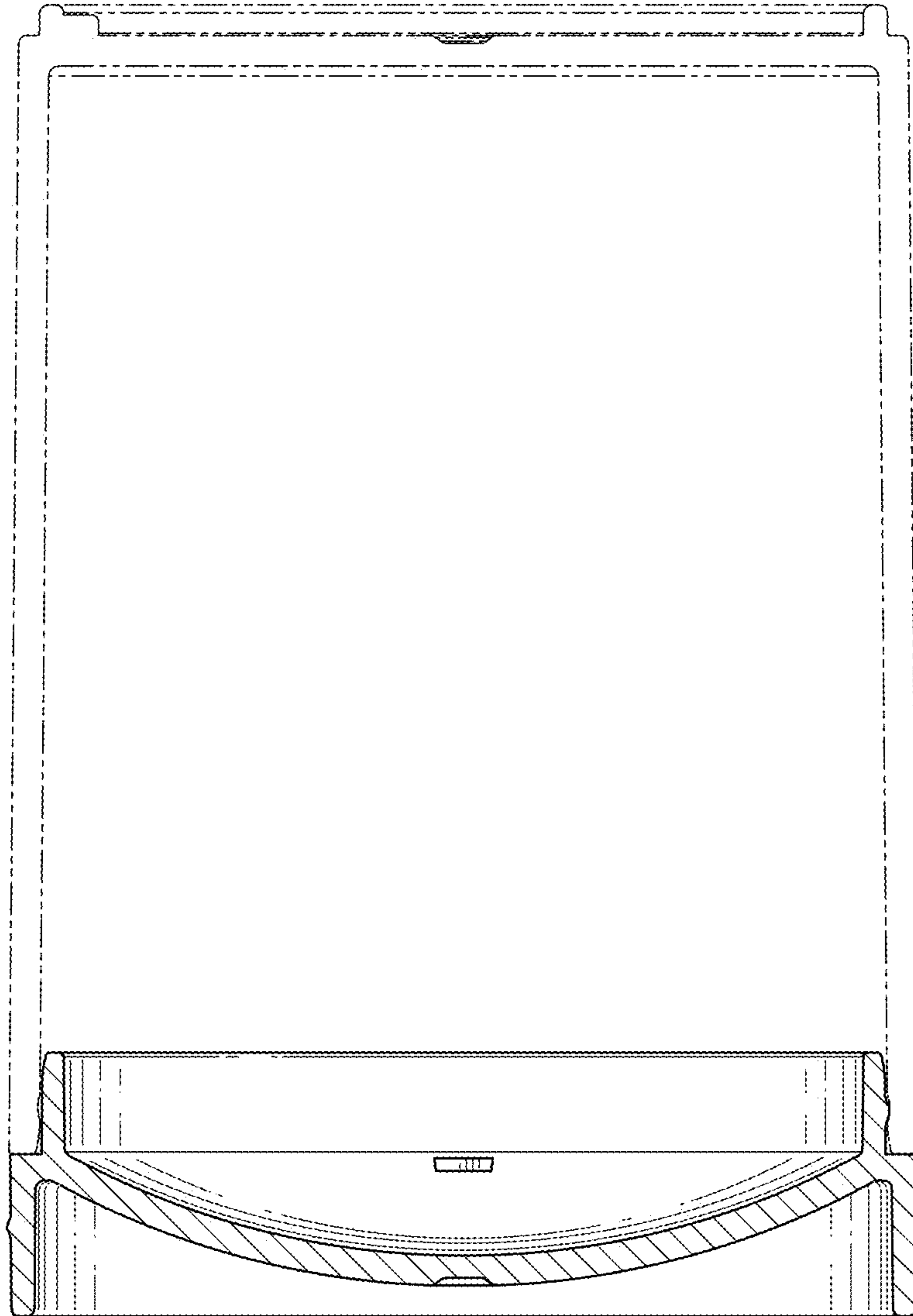


FIG. 4

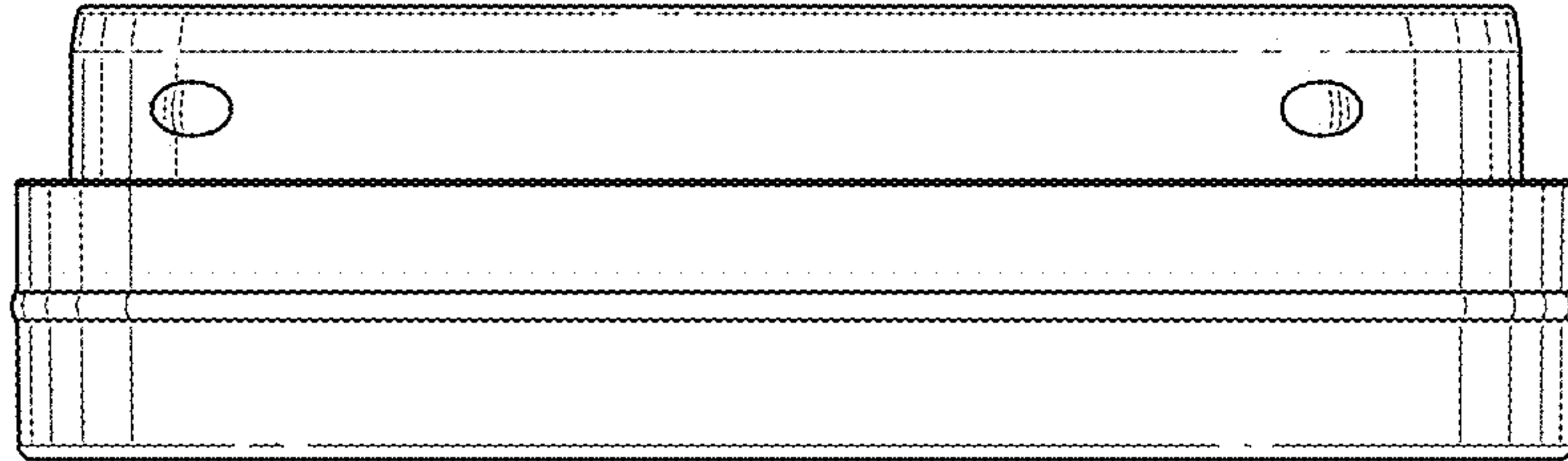


FIG. 5

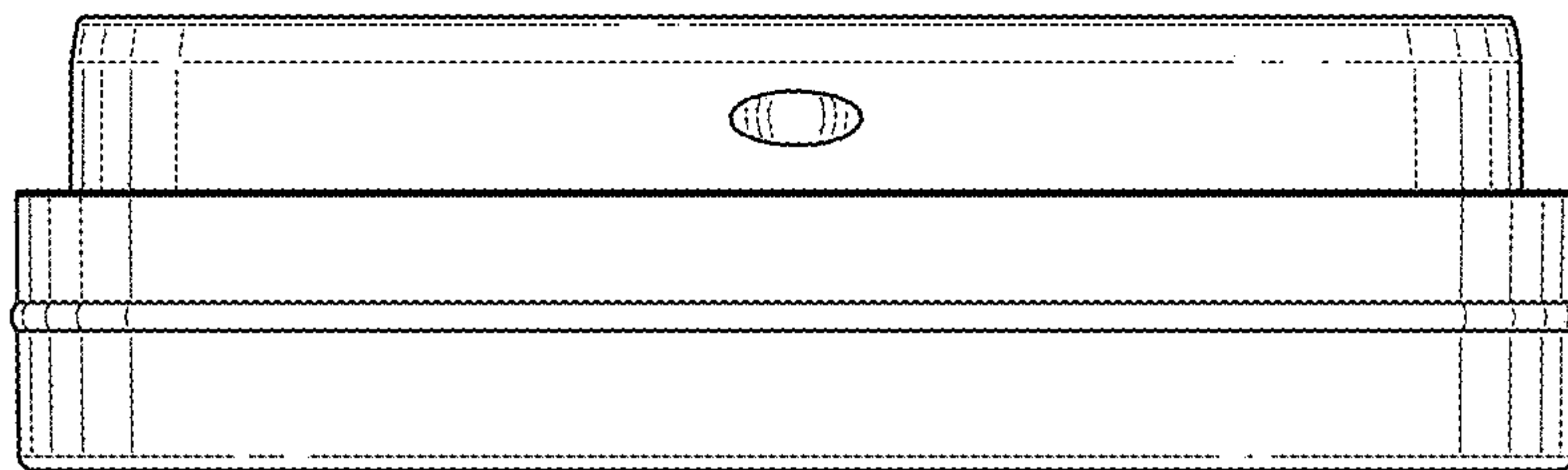


FIG. 6

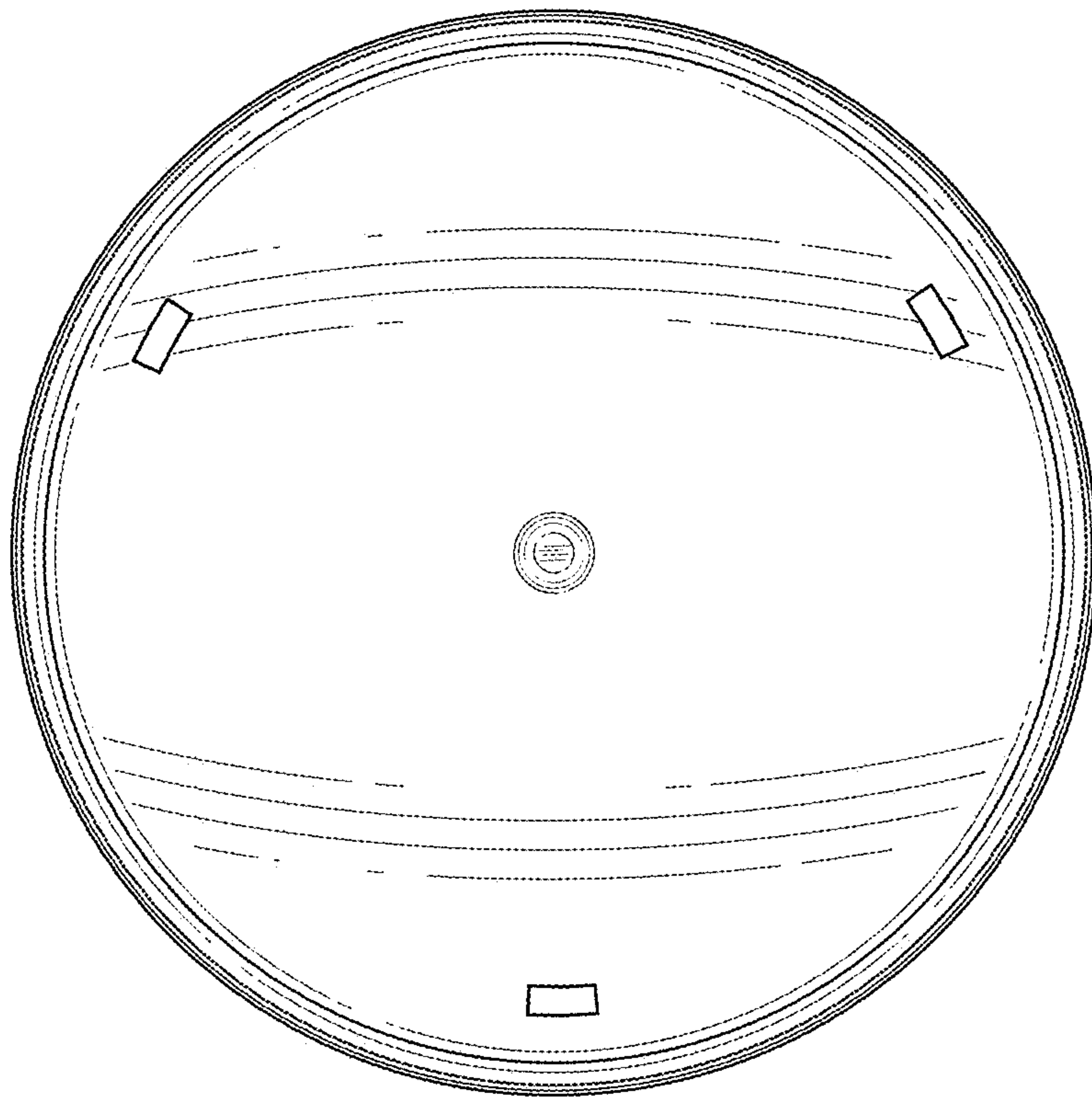


FIG. 7

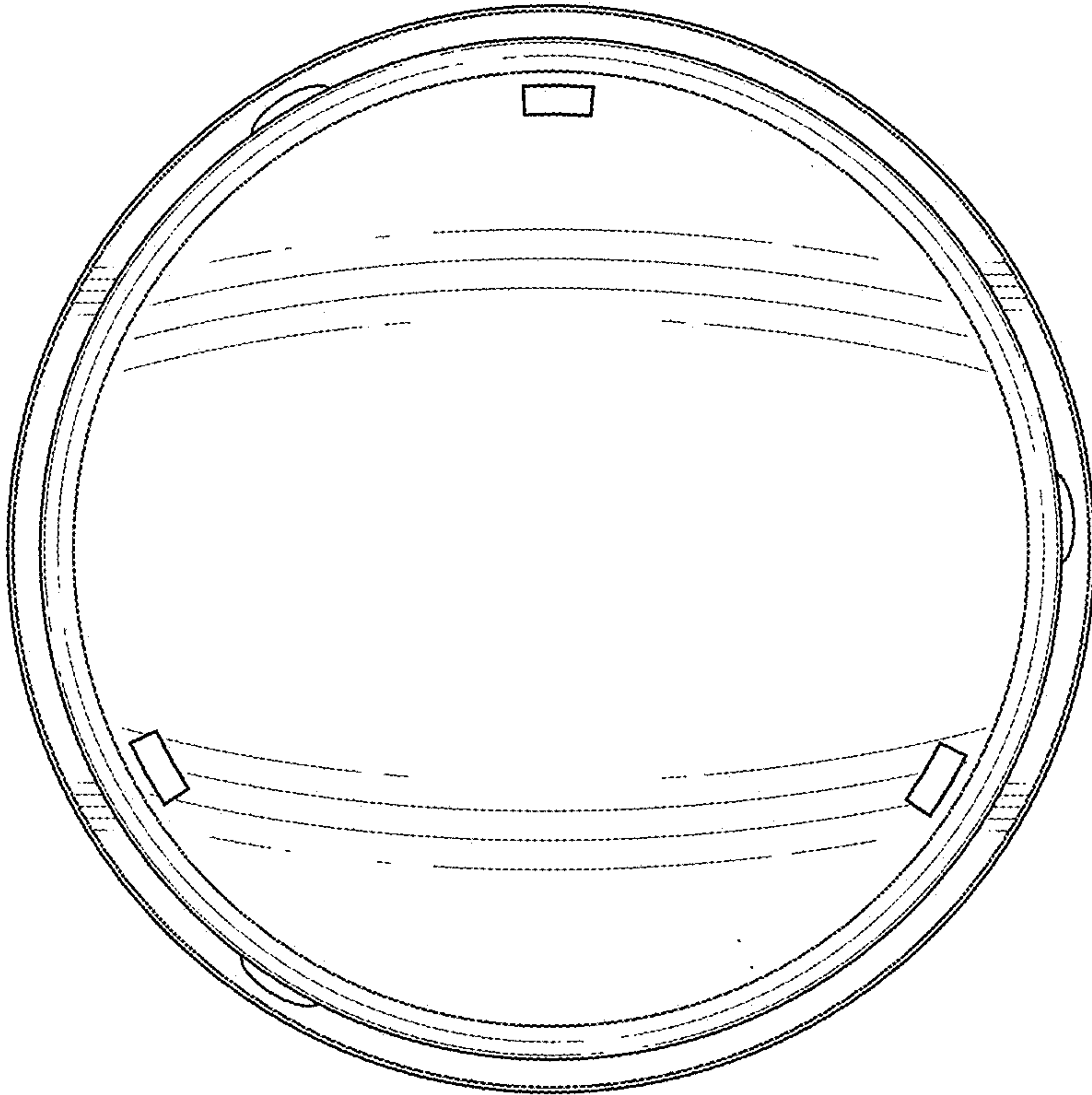


FIG. 8

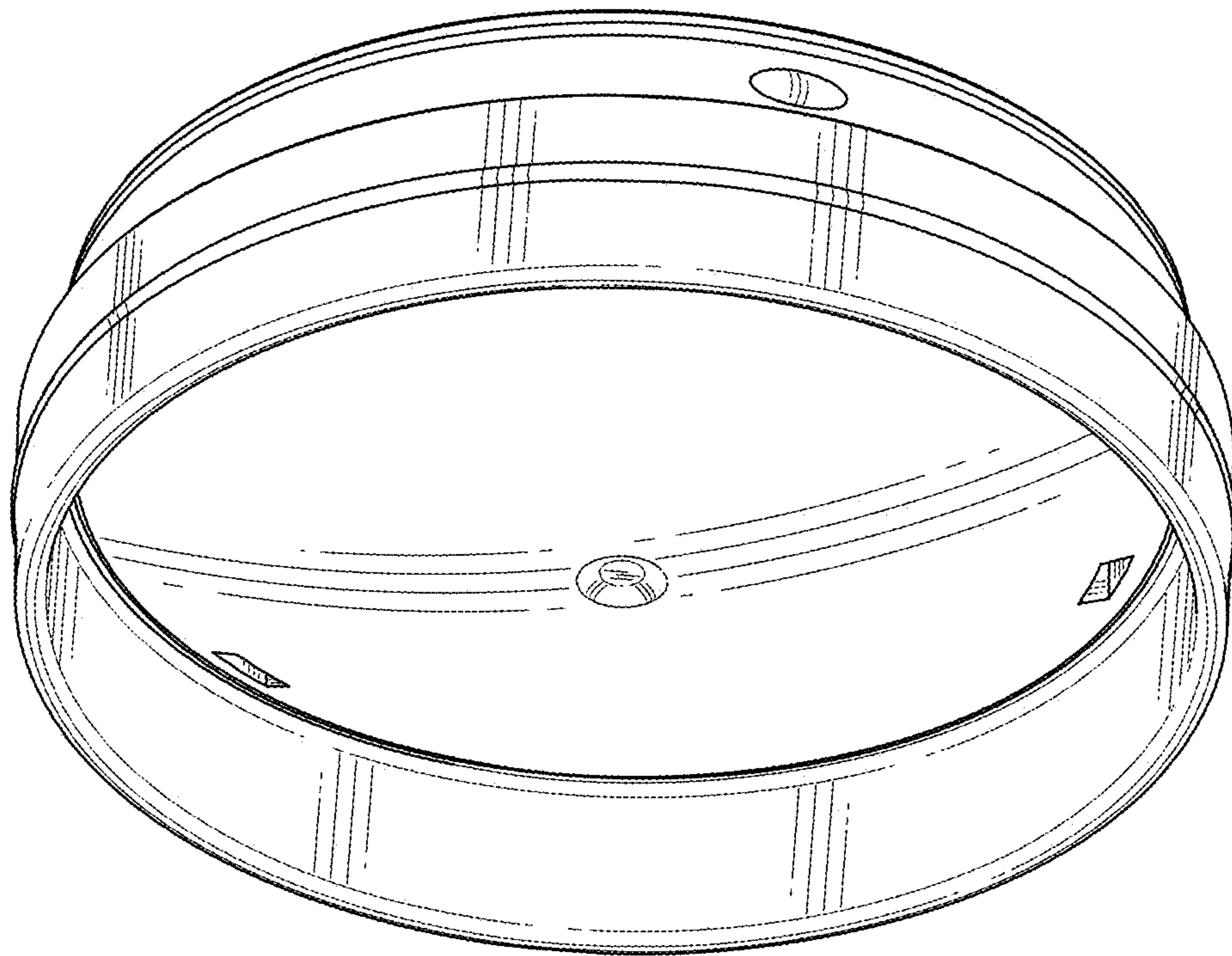


FIG. 9