



US00D921986S

(12) **United States Design Patent** (10) **Patent No.:** **US D921,986 S**
Paulsmeyer (45) **Date of Patent:** **** Jun. 8, 2021**

(54) **CLIPPER**
(71) Applicant: **Doots, LLC**, Lafayette, CO (US)
(72) Inventor: **Todd Paulsmeyer**, Lafayette, CO (US)
(73) Assignee: **Doots, LLC**, Lafayette, CO (US)
(**) Term: **15 Years**
(21) Appl. No.: **29/734,106**
(22) Filed: **May 8, 2020**

5,533,262 A 7/1996 Clark
5,622,191 A * 4/1997 McMullen, Jr. A45D 29/02
132/73
D384,773 S * 10/1997 Dunn D28/60
(Continued)

FOREIGN PATENT DOCUMENTS

CN 2788635 6/2006
CN 104544900 4/2015
(Continued)

OTHER PUBLICATIONS

PCT International Patent Application No. PCT/US20/26328; International Search Report and Written Opinion of the International Searching Authority dated Jun. 15, 2020, 12 pages.
(Continued)

Primary Examiner — Jennifer Rivard
(74) *Attorney, Agent, or Firm* — Craig R. Miles; CR Miles P.C.

Related U.S. Application Data

(63) Continuation of application No. 16/831,358, filed on Mar. 26, 2020.
(51) **LOC (13) Cl.** **28-60**
(52) **U.S. Cl.**
USPC **D28/60**
(58) **Field of Classification Search**
USPC D28/60; D8/52
CPC A45D 2029/026; A45D 29/18; A45D 29/023; A45D 29/00; A45D 29/02
See application file for complete search history.

(57) **CLAIM**

I claim the ornamental design for a clipper, as shown and described.

DESCRIPTION

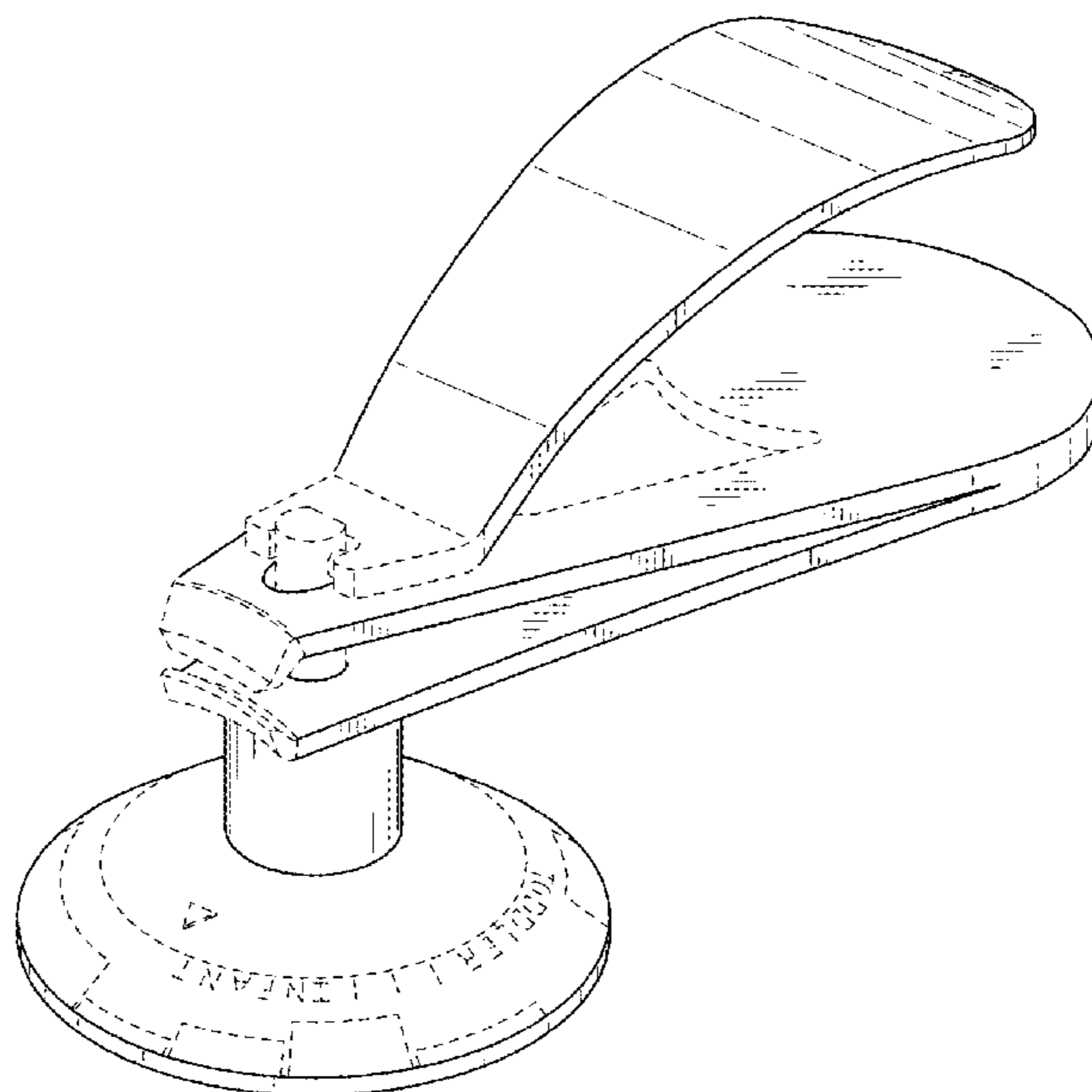
FIG. 1 is a top and left side perspective view of a nail clipper, embodying a first design;
FIG. 2 is a front elevation view thereof;
FIG. 3 is a rear elevation view thereof;
FIG. 4 is a first side elevation view thereof;
FIG. 5 is a second side elevation view thereof;
FIG. 6 is a top plan view thereof; and,
FIG. 7 is a bottom plan view thereof.
The broken lines that connect the solid contour lines illustrate the bounds of the claim and form no part thereof. The remaining broken lines illustrate indicia and portions of the clipper that form no part of the claimed design.

(56) **References Cited**

U.S. PATENT DOCUMENTS

797,576 A 8/1905 Havell
3,180,025 A 4/1965 Tsunemi
3,555,675 A 1/1971 Jurena
3,744,131 A 7/1973 Manes
3,832,771 A 9/1974 Morgan
4,228,585 A * 10/1980 Nelson A45D 29/02
30/29
4,819,673 A * 4/1989 McMullen, Jr. A45D 29/02
132/75.5
4,982,747 A * 1/1991 Shah A45D 29/02
132/75.4

1 Claim, 7 Drawing Sheets



(56)

References Cited

U.S. PATENT DOCUMENTS

5,791,049 A * 8/1998 Dolev A45D 29/02
 132/75.5
 5,918,375 A * 7/1999 Rossi, III G01B 3/02
 132/75.5
 D413,412 S * 8/1999 Chiu D28/60
 D446,352 S * 8/2001 Grayson D28/60
 D498,333 S * 11/2004 Di Bitonto D28/60
 D629,566 S * 12/2010 Vicari D28/60
 D634,066 S * 3/2011 Mengri D28/44
 D726,374 S * 4/2015 Kim D28/60
 9,398,797 B2 * 7/2016 Li A45D 29/00
 10,420,409 B1 * 9/2019 Crolley A45D 29/02
 2010/0257740 A1 10/2010 Wu et al.
 2017/0065052 A1 3/2017 Yun
 2017/0325567 A1 11/2017 Nikaran et al.

FOREIGN PATENT DOCUMENTS

EP 1397057 3/2006
 FR 2600522 A3 12/1987
 JP 3205053 U 6/2016
 KR 10-2010-0120250 A 11/2010
 WO WO 2013/142011 9/2013

OTHER PUBLICATIONS

U.S. Appl. No. 62/876,509, filed Jul. 19, 2019.
 U.S. Appl. No. 62/828,740, filed Apr. 3, 2019.
 U.S. Appl. No. 16/831,358, filed Mar. 26, 2020.

* cited by examiner

FIG. 1

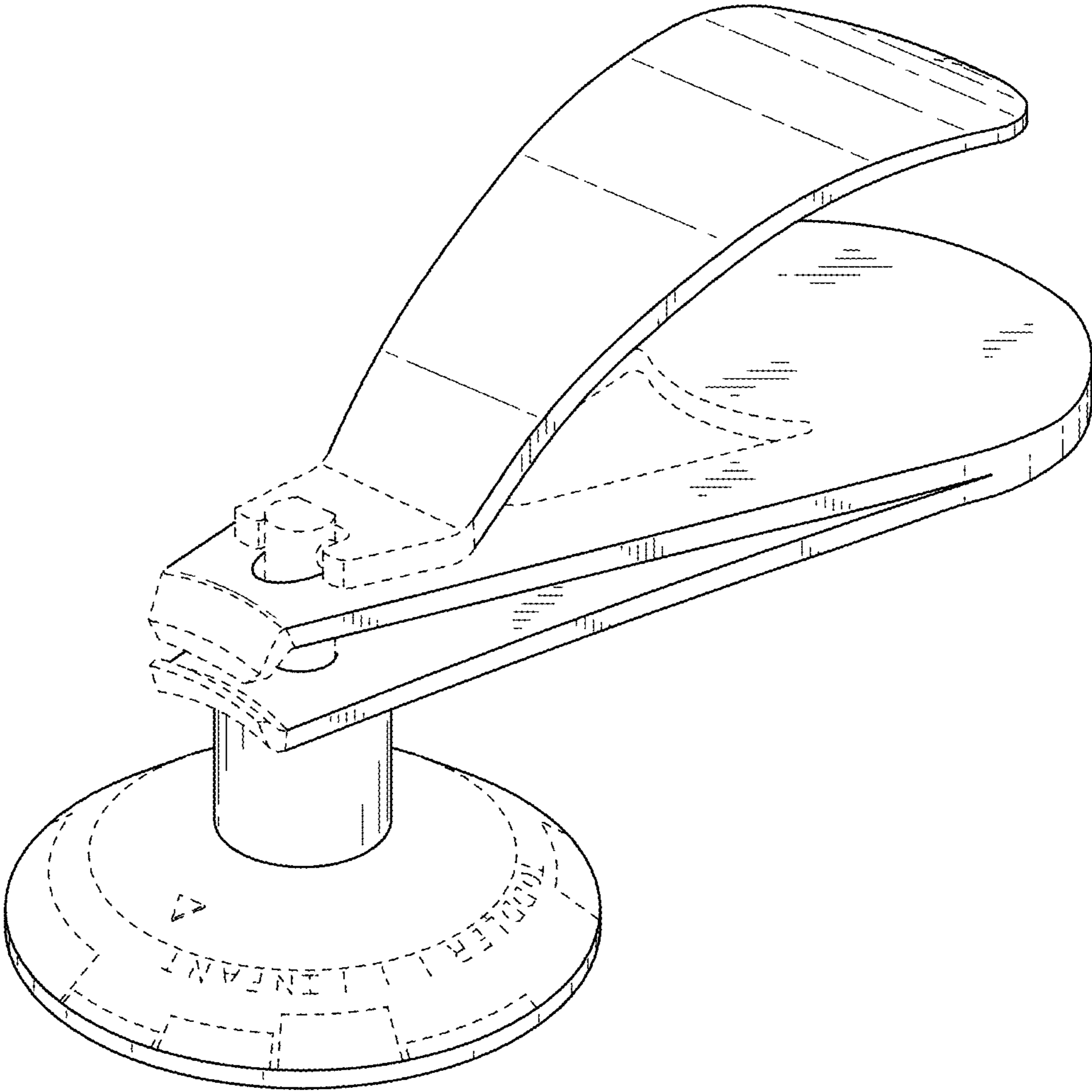


FIG. 2

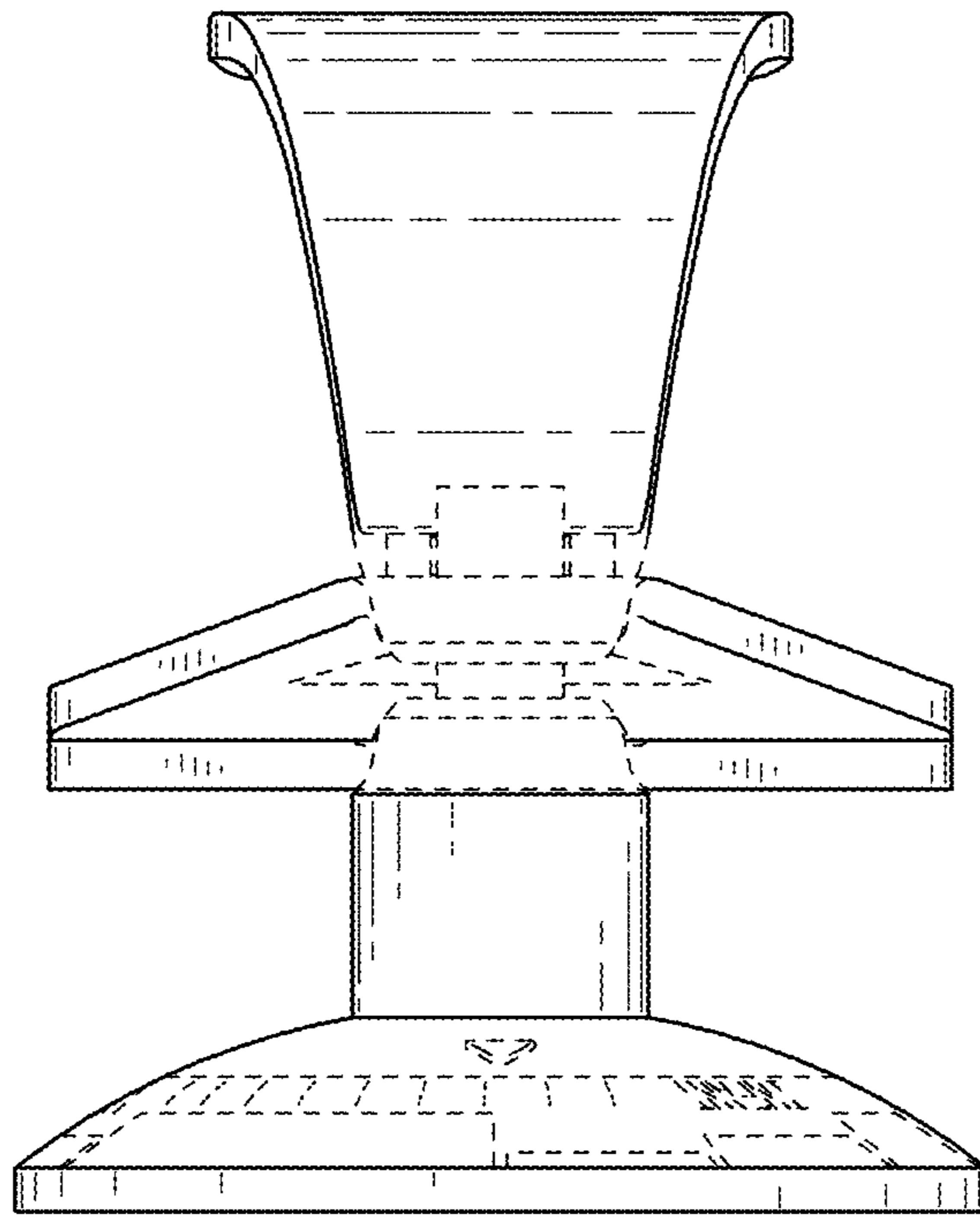


FIG. 3

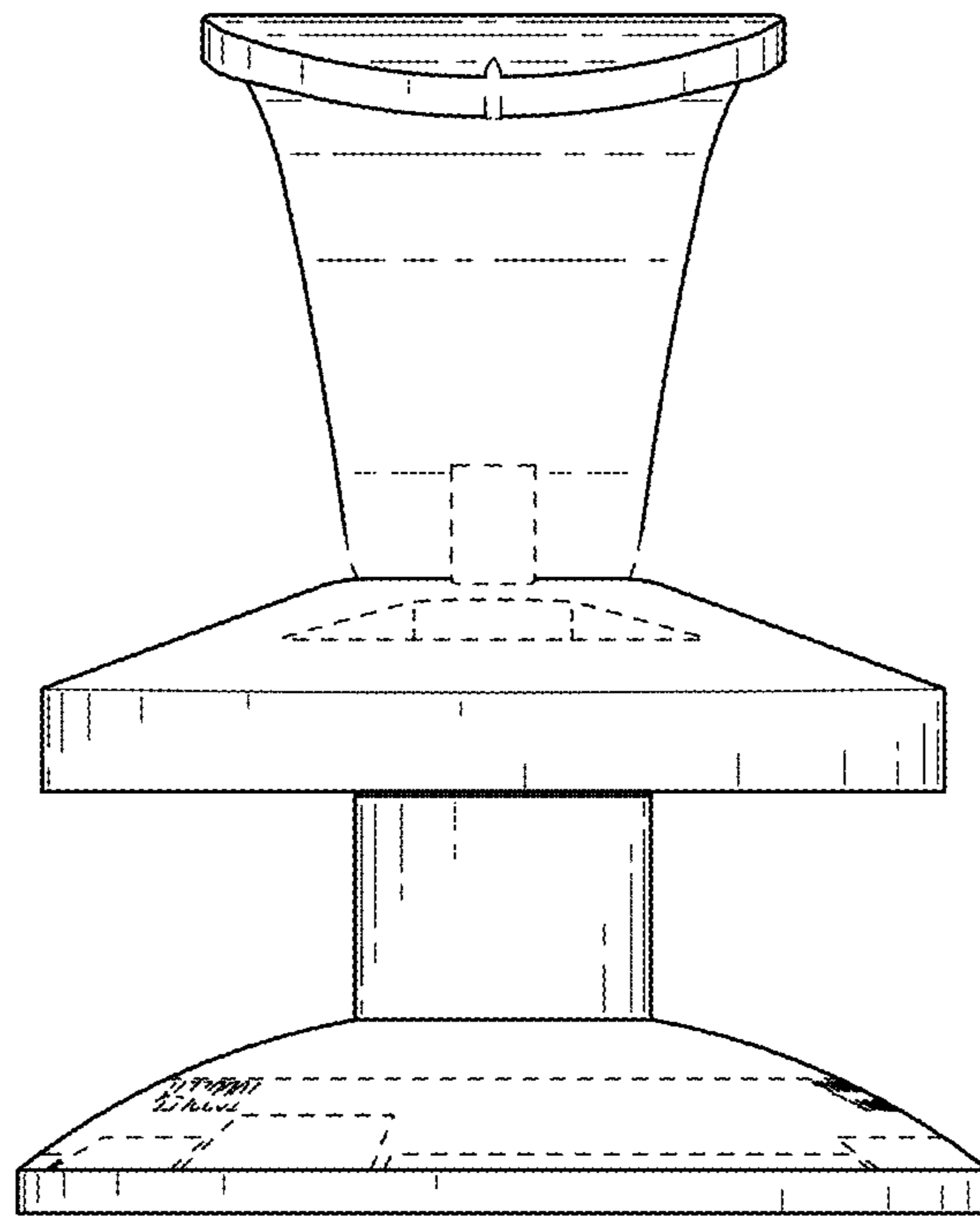


FIG. 4

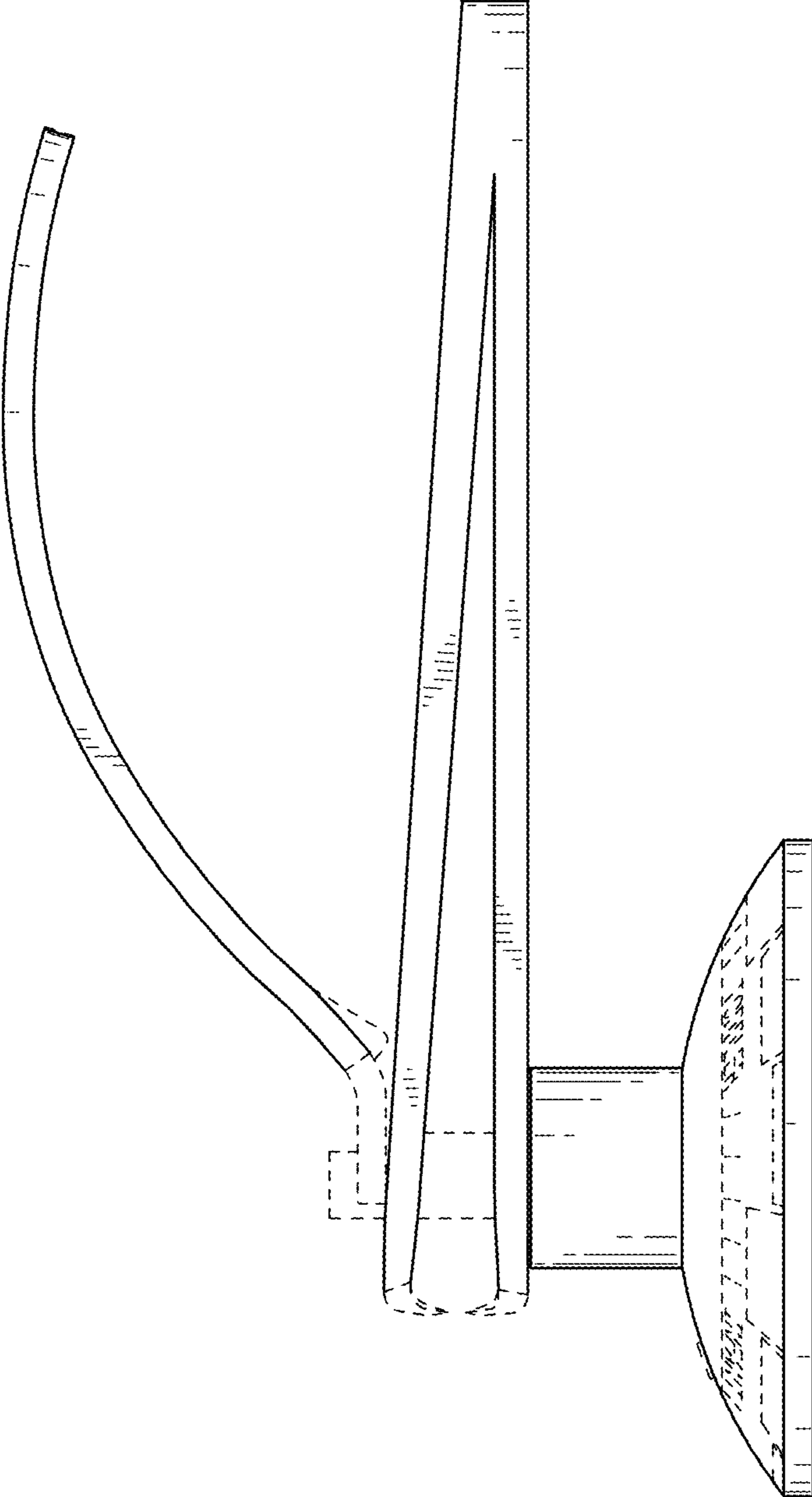


FIG. 5

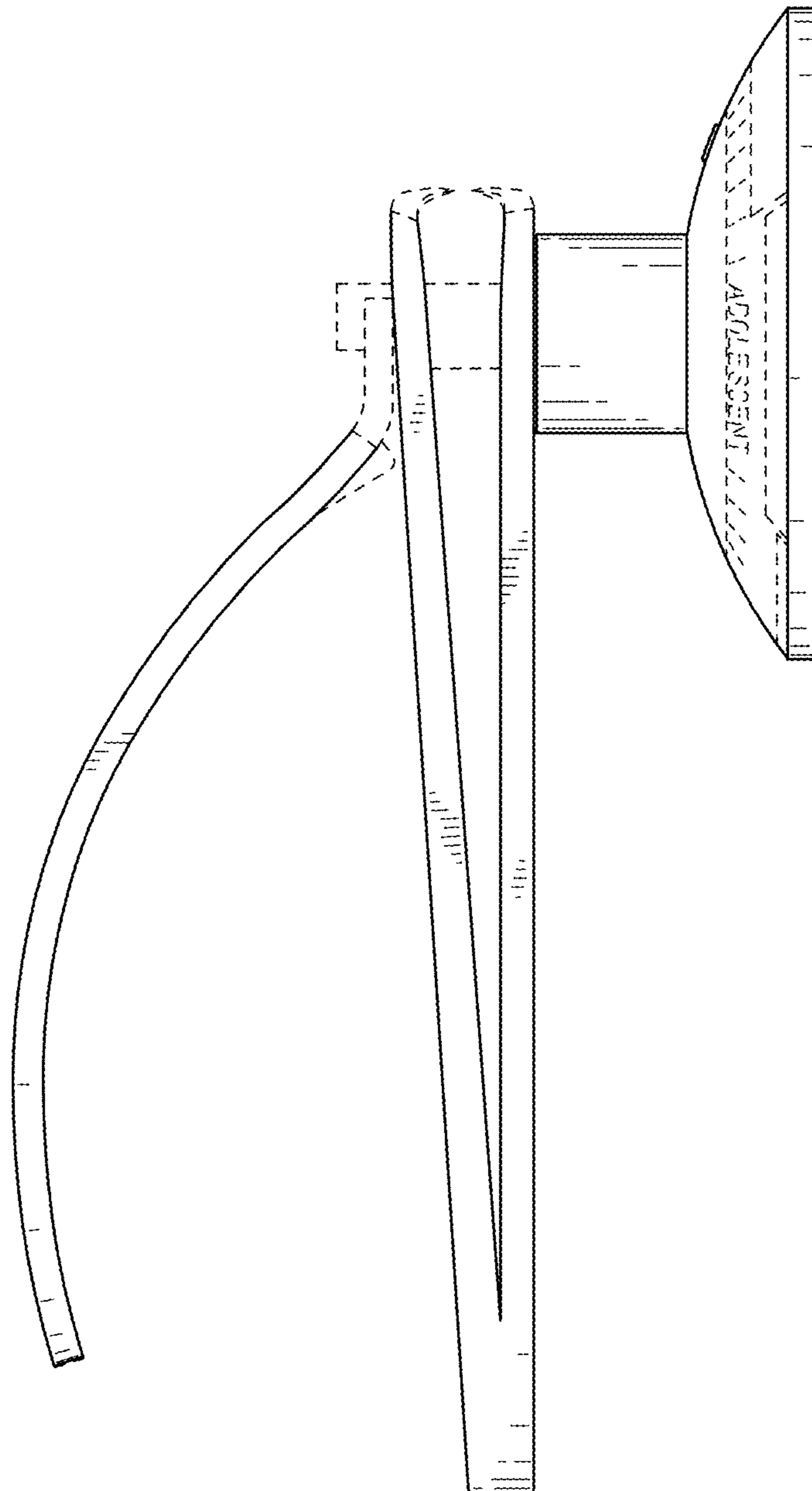


FIG. 6

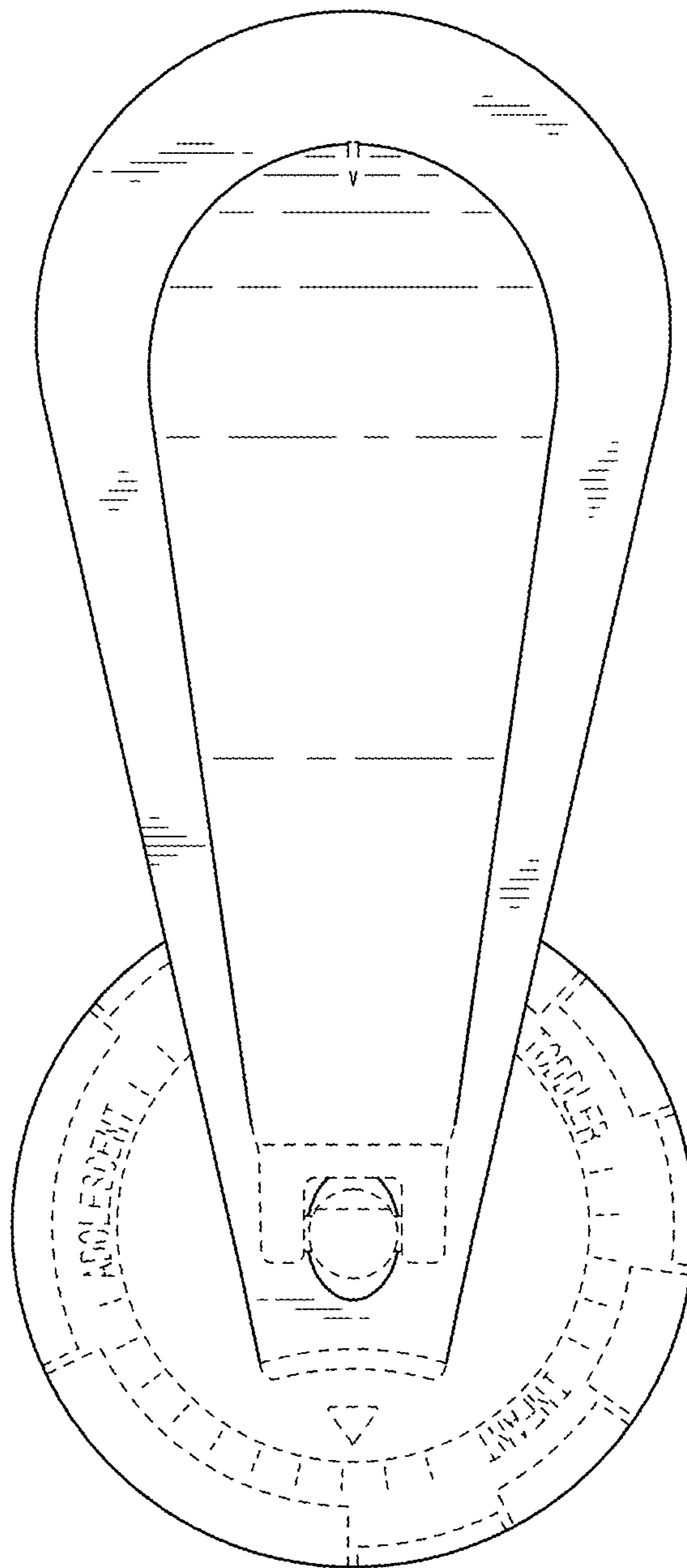


FIG. 7

