



US00D921977S

(12) **United States Design Patent** (10) **Patent No.:** **US D921,977 S**
Kim et al. (45) **Date of Patent:** **** *Jun. 8, 2021**

(54) **CARTRIDGE FOR ELECTRONIC CIGARETTE**
(71) Applicant: **KT&G Corporation**, Daejeon (KR)
(72) Inventors: **Min Chul Kim**, Yongin-si (KR); **Su Mi Shin**, Goyang-si (KR); **Tae Hun Kim**, Yongin-si (KR)
(73) Assignee: **KT&G Corporation**, Daejeon (KR)

D162,345 S * 3/1951 Roney D23/366
D245,705 S * 9/1977 Fukada D23/366
4,065,261 A * 12/1977 Fukada A61L 9/122
261/95
D281,164 S * 10/1985 Kim D13/168
D284,506 S * 7/1986 Gutknecht D23/368
D361,126 S * 8/1995 Fukada D23/366
D403,298 S * 12/1998 Hall D13/103
D403,417 S * 12/1998 Rakocy D23/365

(Continued)

(*) Notice: This patent is subject to a terminal disclaimer.

(**) Term: **15 Years**

(21) Appl. No.: **29/684,027**

(22) Filed: **Mar. 18, 2019**

(30) **Foreign Application Priority Data**

Sep. 18, 2018 (KR) 30-2018-0043822

(51) **LOC (13) Cl.** **27-02**

(52) **U.S. Cl.**
USPC **D27/167**

(58) **Field of Classification Search**

USPC D27/162, 100, 101, 139, 141, 148,
D27/161-171, 183, 185-193, 194;
D24/110, 110.5, 129, 113, 112; D13/108,
D13/144, 103, 119, 146, 168; D23/360,
D23/364-366; D19/163, 161; D14/434,
D14/480.5, 480.1, 480.3, 483, 484.1;
D4/121

CPC A24F 40/00; A24F 40/40; A24F 40/42;
A24F 40/05; A24F 40/46; A24F 47/002;
A24F 47/008; A24D 1/14; A24D 1/042;
A24D 1/02; G06F 3/03545

See application file for complete search history.

(56) **References Cited**

U.S. PATENT DOCUMENTS

D23,734 S * 10/1894 Smith D23/366
874,337 A * 12/1907 Helm B65F 1/16
220/844

OTHER PUBLICATIONS

Heat not Burn-Lil Hybrid, published Apr. 19, 2019 [online], [retrieved Aug. 17, 2020], Available from Internet, URL: <https://heatnotburn.co.uk/heat-not-burn-european-exclusive-review-the-lil-hybrid/>.*

Primary Examiner — Dana K Weiland

Assistant Examiner — Mary Claire Ramirez

(74) *Attorney, Agent, or Firm* — Novick, Kim & Lee, PLLC; Sang Ho Lee; Hyun Woo Shin

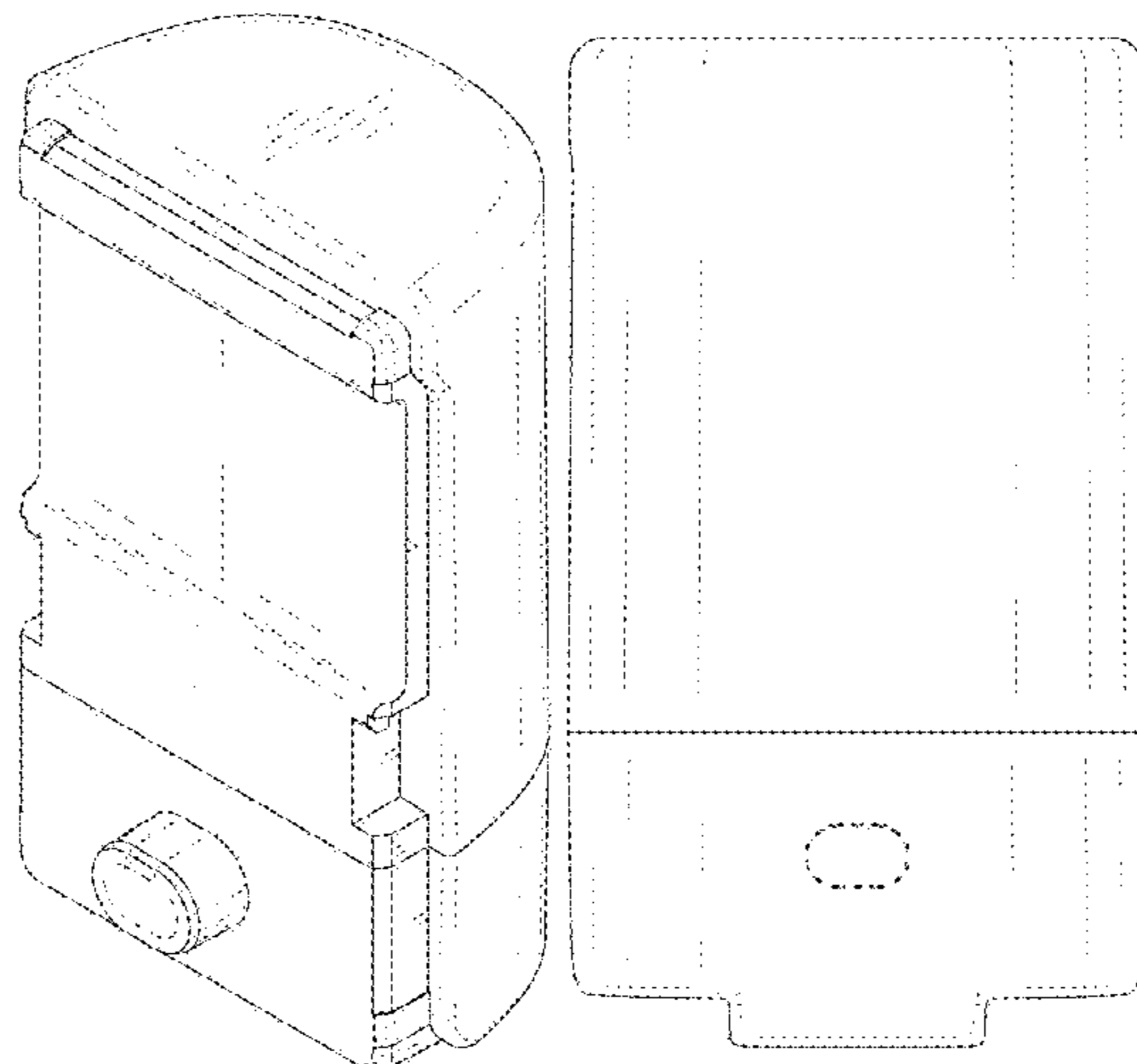
(57) **CLAIM**

We claim the ornamental design for a cartridge for electronic cigarette, as shown and described.

DESCRIPTION

FIG. 1 is perspective view of a cartridge for electronic cigarette, showing our new design;
FIG. 2 is a front elevational view thereof,
FIG. 3 is a rear elevational view thereof;
FIG. 4 is a left side elevational view thereof;
FIG. 5 is a right side elevational view thereof;
FIG. 6 is a top plan view thereof; and,
FIG. 7 is a bottom plan view thereof.
The broken lines in the drawings depict portions of the cartridge for electronic cigarette that form no part of the claimed design.

1 Claim, 6 Drawing Sheets



(56)

References Cited

U.S. PATENT DOCUMENTS

D415,098	S *	10/1999	Zimmer	D13/103
D417,861	S *	12/1999	Maeyama	D13/103
D463,066	S *	9/2002	Draghetti	D27/189
D554,581	S *	11/2007	Aquillano	D13/103
D575,450	S *	8/2008	Jones	D27/189
7,989,101	B2 *	8/2011	Hara	H01M 2/0217 429/96
D655,402	S *	3/2012	Osorio	D23/360
D716,726	S *	11/2014	Workman	D13/110
D725,040	S *	3/2015	Bailey	D13/146
D725,041	S *	3/2015	Bailey	D13/146
D760,939	S *	7/2016	Hoang	D26/85
D816,026	S *	4/2018	Georgiades	D13/108
D842,455	S *	3/2019	Rudolph	D24/110
D849,921	S *	5/2019	Gobber	D23/366
2017/0027226	A1 *	2/2017	Mironov	A24F 40/46
2020/0352235	A1 *	11/2020	Lee	A24F 40/60
2020/0359682	A1 *	11/2020	Han	A24F 40/40
2020/0367568	A1 *	11/2020	Lim, II	A24F 40/42

* cited by examiner

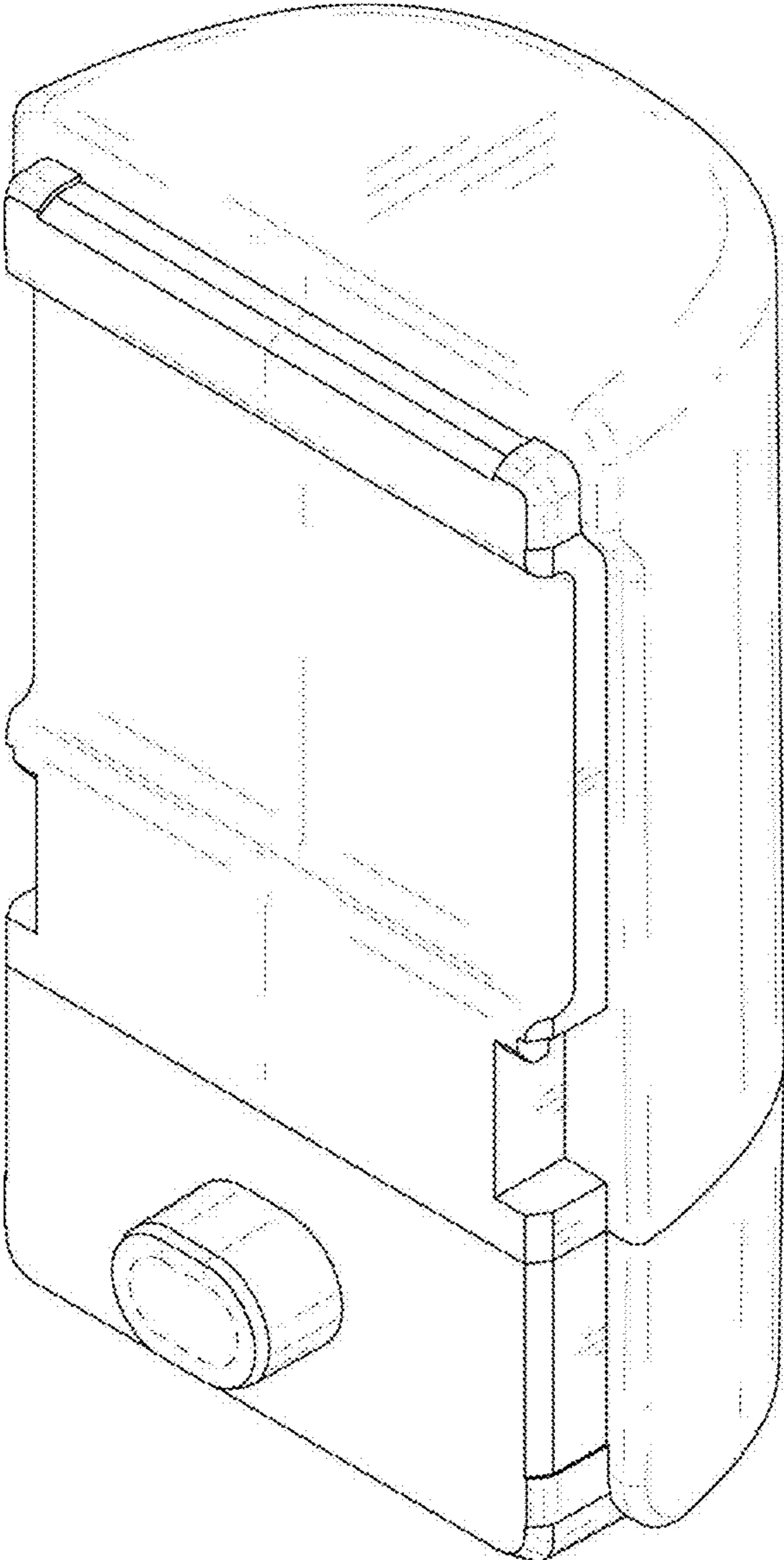


FIG. 1

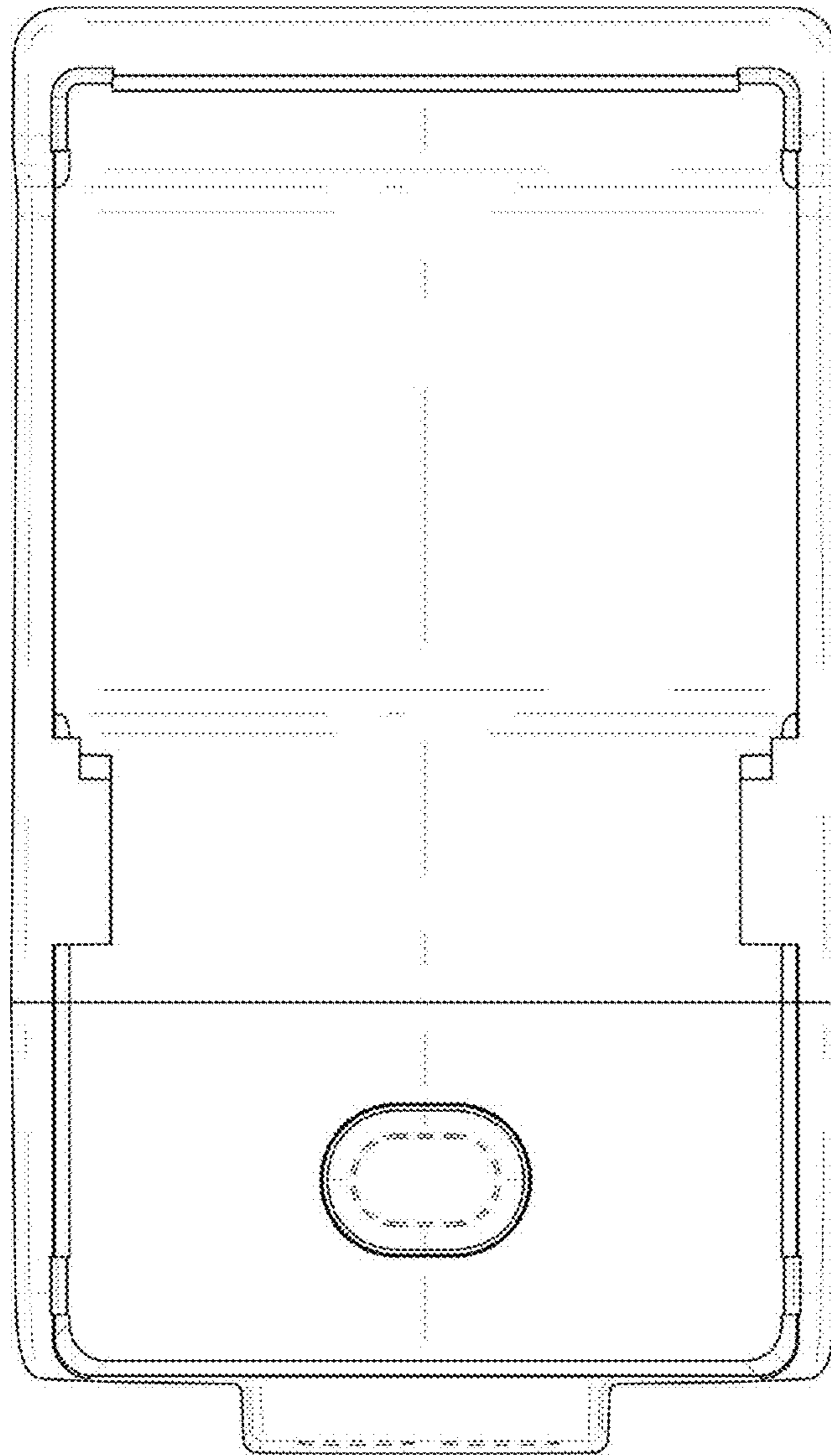


FIG. 2

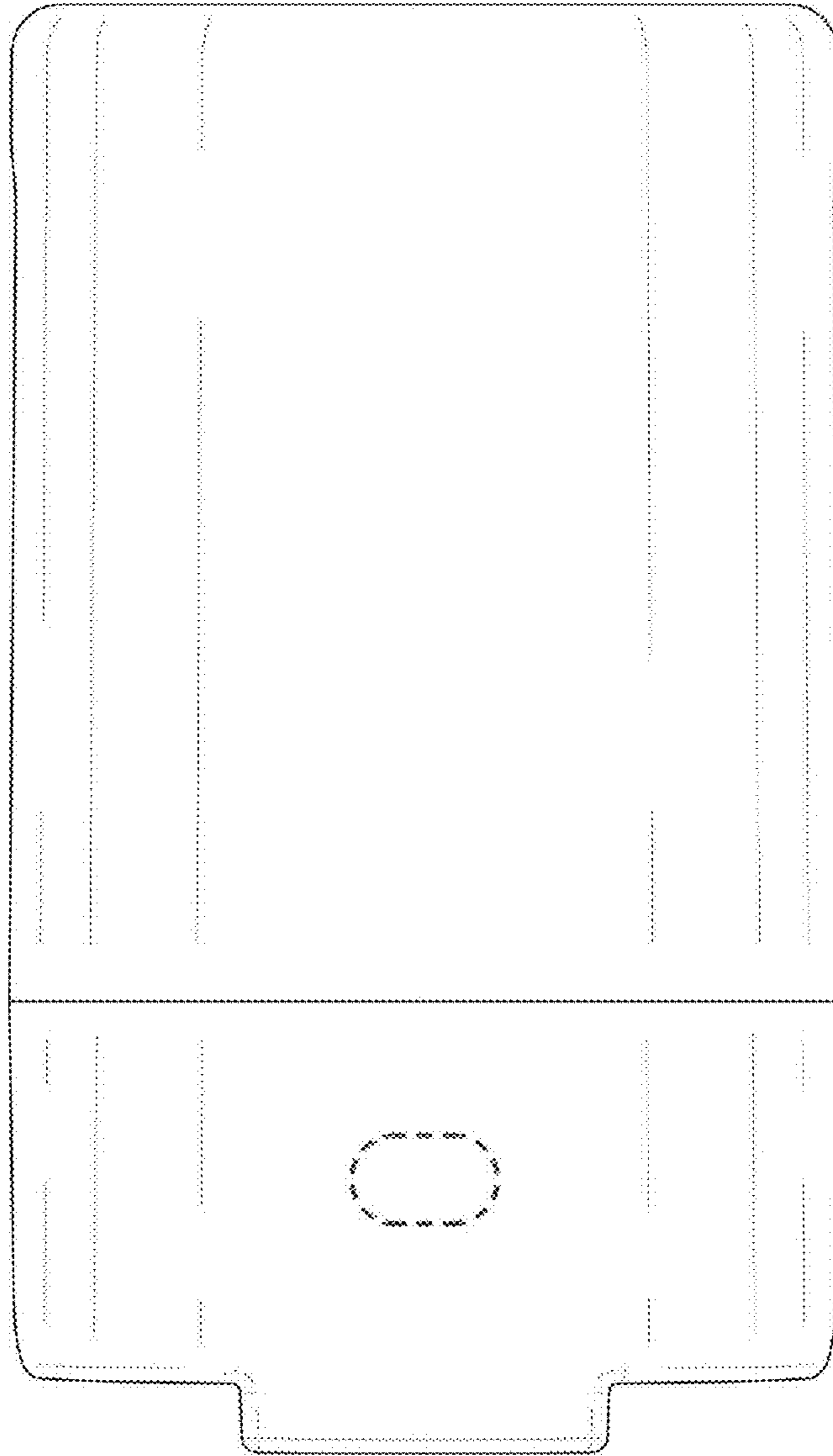


FIG. 3

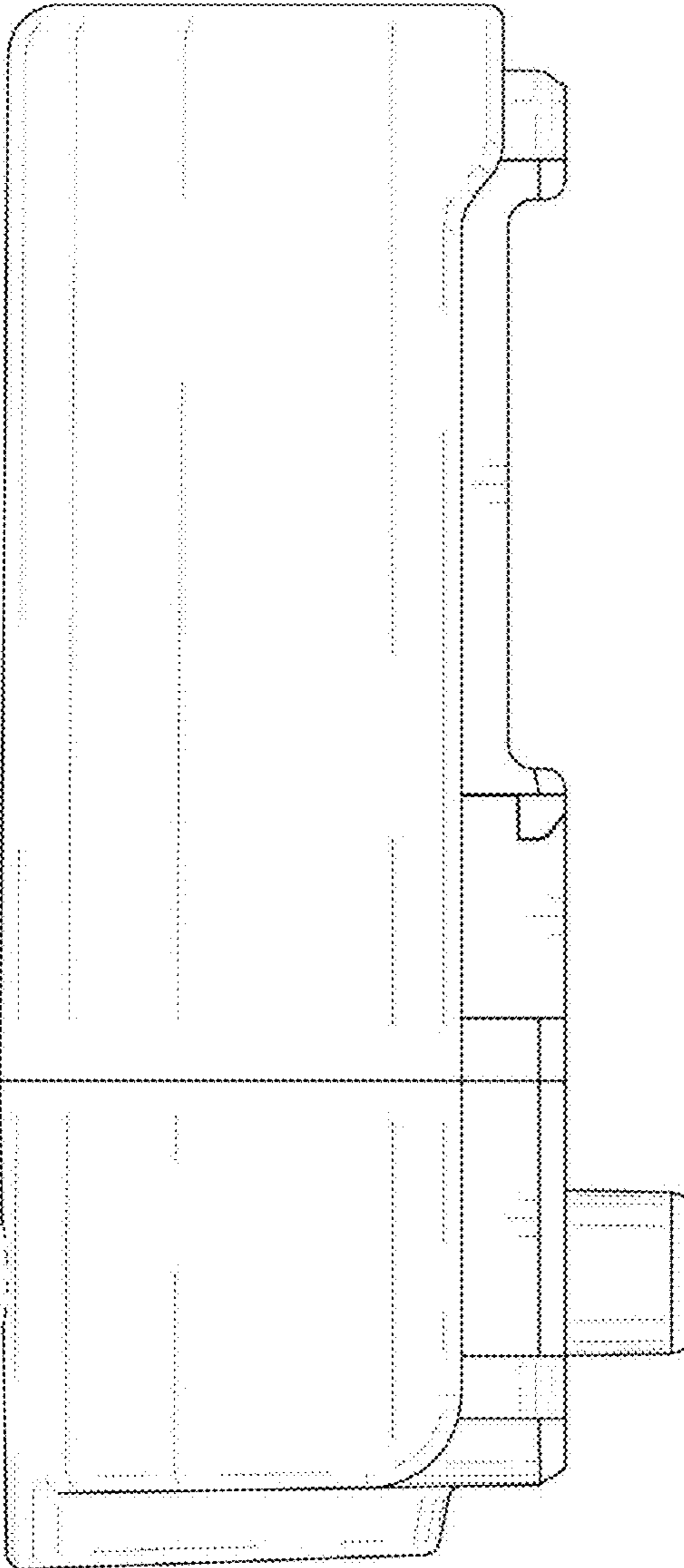


FIG. 4

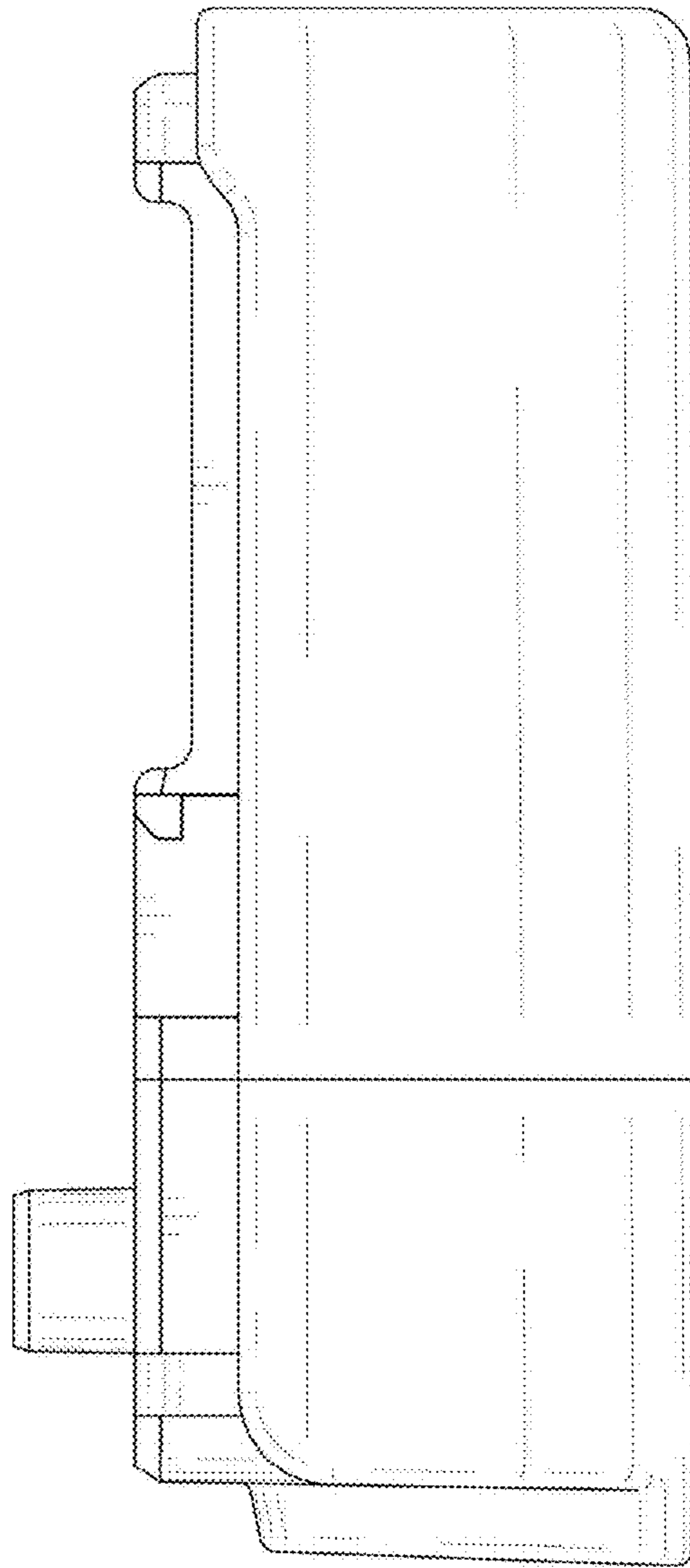


FIG. 5

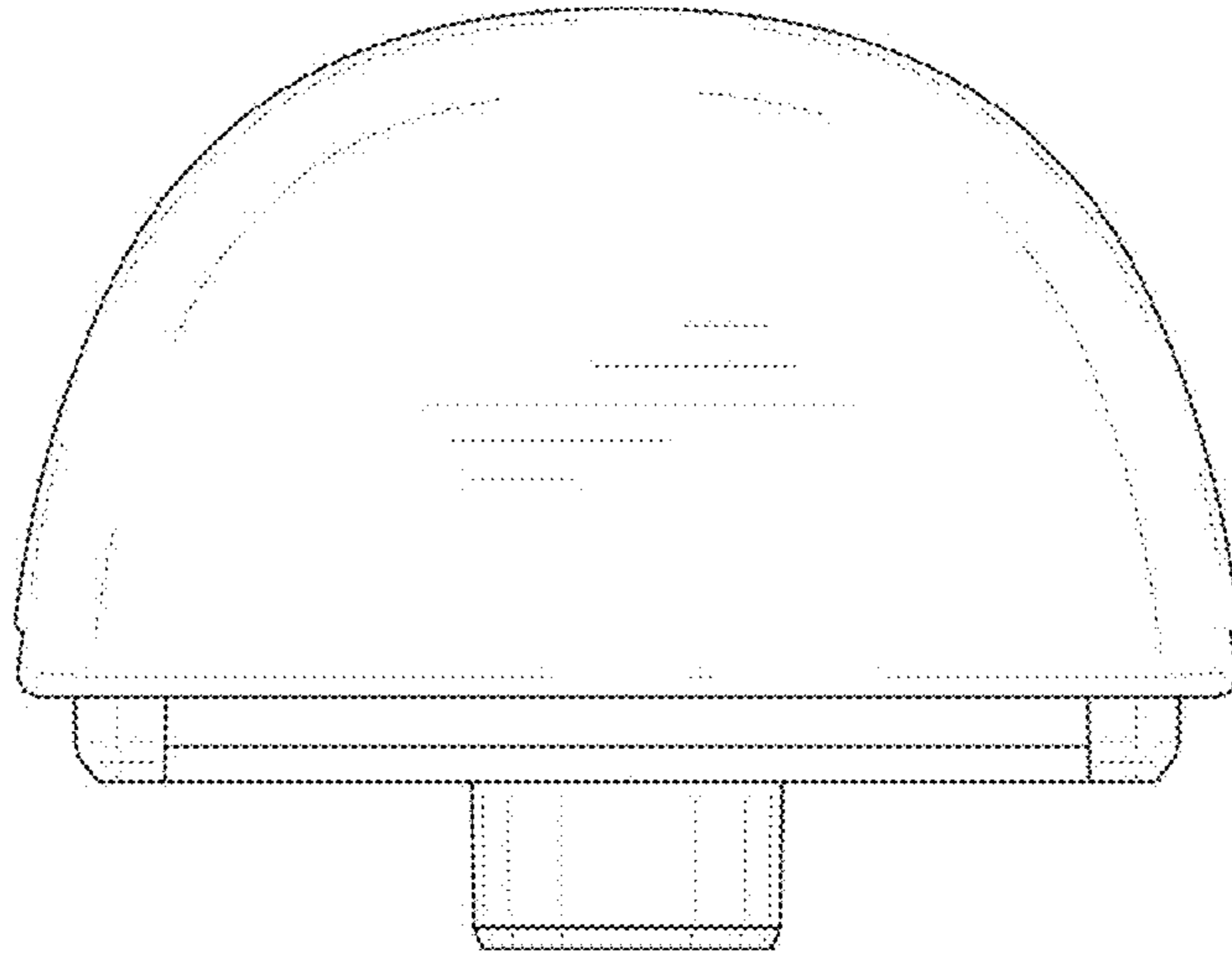


FIG. 6

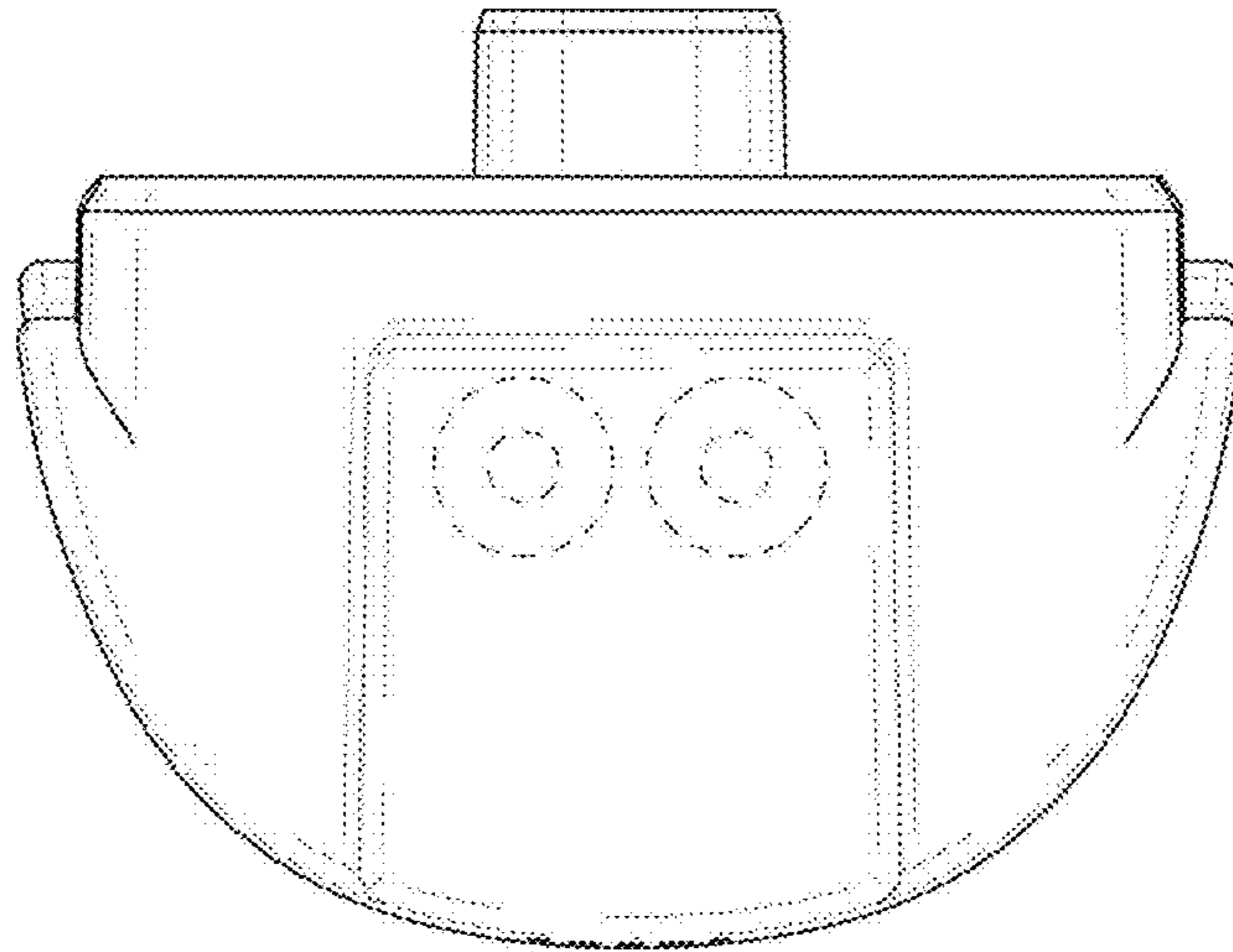


FIG. 7