



US00D921973S

(12) **United States Design Patent**  
**Rahbar**

(10) **Patent No.:** **US D921,973 S**

(45) **Date of Patent:** **\*\* Jun. 8, 2021**

- (54) **E-CIGARETTE TIP**
- (71) Applicant: **Snoozy Fresheners, LLC**, Tarzana, CA (US)
- (72) Inventor: **Daniel Rahbar**, Los Angeles, CA (US)
- (73) Assignee: **SNOOZY FRESHENERS, LLC**, Tarzana, CA (US)
- (\*\*) Term: **15 Years**
- (21) Appl. No.: **29/715,839**
- (22) Filed: **Dec. 5, 2019**
- (51) **LOC (13) Cl.** ..... **27-02**
- (52) **U.S. Cl.**  
USPC ..... **D27/162**
- (58) **Field of Classification Search**  
USPC ..... D27/139, 141, 142, 143, 144, 145, 147,  
D27/149, 153, 154, 162, 164, 165, 166,  
D27/167, 169, 170, 171; D24/110, 110.5;  
D28/91.1  
CPC ..... A24D 1/042; A24D 1/045; A24D 3/045;  
A24D 3/043; A24D 3/04; A24D 3/0287;  
A24D 3/18; A24D 3/041; A24D 1/02;  
(Continued)

(56) **References Cited**

**U.S. PATENT DOCUMENTS**

- D643,529 S \* 8/2011 Clarke ..... D24/110
  - D647,195 S \* 10/2011 Clarke ..... D24/110
- (Continued)

**FOREIGN PATENT DOCUMENTS**

- CN 201830198675.0 \* 2/2019
  - CN 201830674193.8 \* 5/2019
- (Continued)

**OTHER PUBLICATIONS**

15 PCS Silicone Juul Mouthpiece Pod Drip Tip . . . By TiDiDi.  
Dated Jan. 7, 2019. Found online [Oct. 19, 2020], <https://www.amazon.com/Silicone-Mouthpiece-Filter-Random-Device/dp/>

B07MS9CB5J/ref=sr\_1\_2?dchild=1&keywords=juul+cap&qid=1605646779&sr=8-2 (Year: 2019).\*

*Primary Examiner* — Marissa J Cash

*Assistant Examiner* — William B Melliar

(74) *Attorney, Agent, or Firm* — Hackler Daghighian Martino & Novak

(57) **CLAIM**

The ornamental design for an E-cigarette tip, as shown and described.

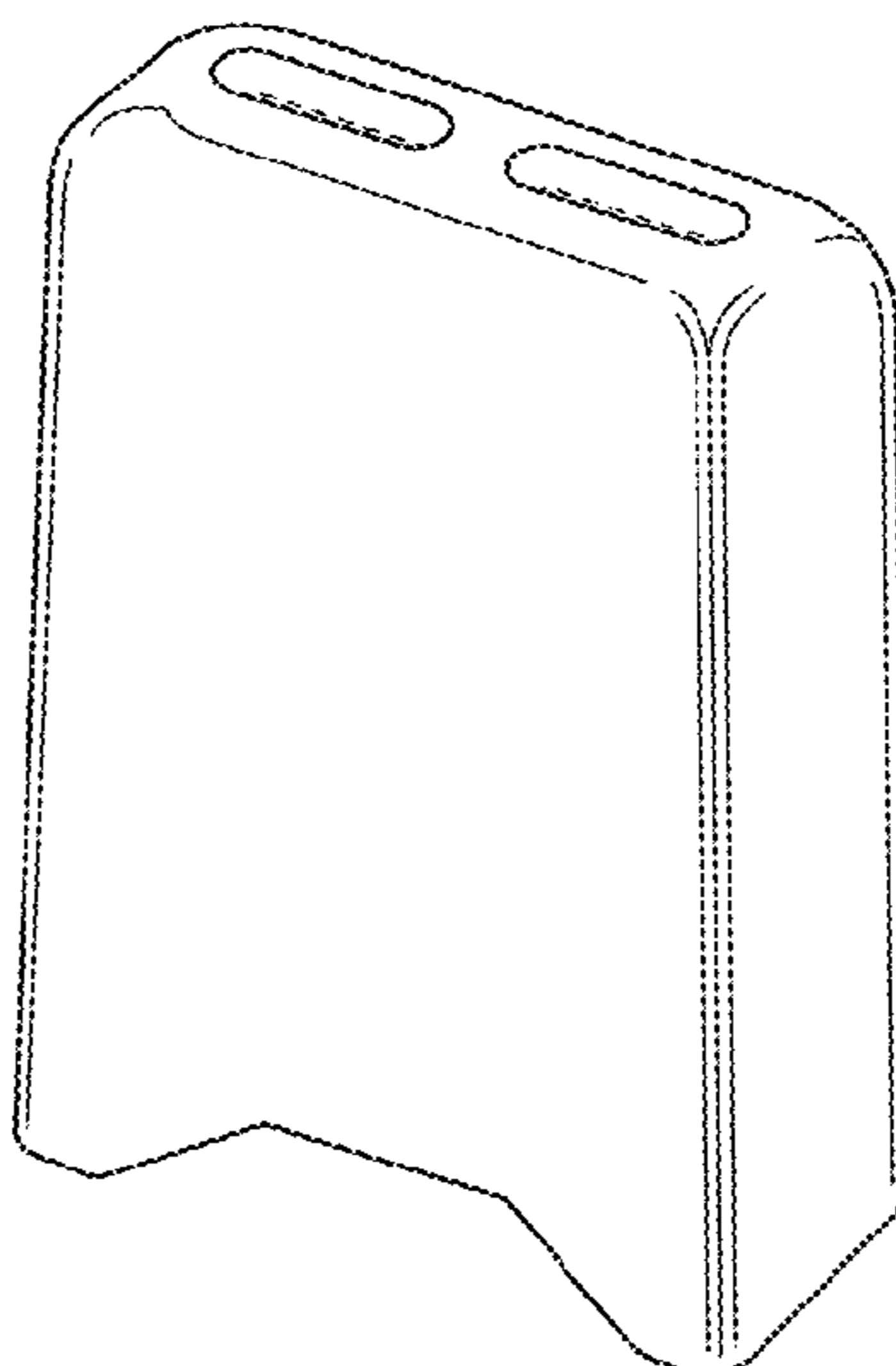
**DESCRIPTION**

FIG. 1 is an isometric view of an E-cigarette tip embodying my new design;  
 FIG. 2 is a front elevation view of FIG. 1, where the back side is identical;  
 FIG. 3 is a right elevation view of FIG. 1, where the left side is identical;  
 FIG. 4 is a bottom plan view of FIG. 1;  
 FIG. 5 is a top plan view of FIG. 1;  
 FIG. 6 is a perspective view of FIG. 1 shown in an environment of use;  
 FIG. 7 is an isometric view of a second embodiment of an e-cigarette tip embodying my new design;  
 FIG. 8 is a front elevation view of FIG. 7, where the back side is identical;  
 FIG. 9 is a right elevation view of FIG. 7, where the left side is identical;  
 FIG. 10 is a bottom plan view of FIG. 7;  
 FIG. 11 is a top plan view of FIG. 7; and,  
 FIG. 12 is a perspective view of the structure of FIG. 7 shown in an environment of use.

In the drawings, the broken lines are for the purpose of illustrating portions of the e-cigarette tip and form no part of the claimed design.

Furthermore, the additional broken lines shown in FIGS. 6 and 12 are for purposes of illustrating environment that forms no part thereof.

**1 Claim, 5 Drawing Sheets**



(58) **Field of Classification Search**

CPC ..... A24D 1/04; A24D 3/0295; A24D 3/048;  
 A24D 1/10; A24F 7/00; A24F 13/02;  
 A24F 47/008; A24F 15/20; A24F 25/00;  
 A24F 7/02; A24F 47/00; A24F 47/002;  
 A24F 7/04; A24F 13/04; A24F 13/06;  
 A24F 13/14; A24F 13/22; A24F 40/10;  
 A24F 40/40; A24F 40/42; A24F 40/46;  
 A24F 40/44; A24F 40/50; A24F 40/90;  
 A24F 40/51; A24F 40/53; A24F 40/485;  
 A24F 40/60; A24F 40/70; A24F 40/48;  
 A24F 40/57; A24F 40/65; A24F 40/20;  
 A24F 40/30; A24F 40/49; A24F 47/004;  
 A24F 40/05; A24F 15/015; A24F 1/32;  
 A24F 40/00; A24F 40/85; A24F 40/95;  
 A24F 42/60; A24F 9/16; A61M 11/042;  
 A61M 15/06; A61M 2205/8206; A61M  
 2205/3653; A61M 2016/0024; A61M  
 11/005; A61M 2016/0027; A61M  
 2205/587; A61M 11/044; A61M 15/0085;  
 A61M 16/0003; A61M 2205/3368; A61M  
 2205/8256; A61M 11/003; A61M 15/002;  
 A61M 15/0021; A61M 2016/0021; A61M  
 11/001; A61M 11/04; A61M 11/041;  
 A61M 15/0025; A61M 15/008; A61M  
 2016/0018; A61M 2016/0033; A61M  
 2016/0039; A61M 2021/0016; A61M  
 21/00; A61M 2205/0211; A61M  
 2205/3331; A61M 2205/3334; A61M

2205/3379; A61M 2205/52; A61M  
 2205/58; A61M 2205/583; A61M  
 2205/6018; A61M 2205/6054; A61M  
 2205/75; A61M 2205/8268; A61M  
 2206/11; A61M 2206/20; A61M 2209/02;  
 A61M 2209/045

See application file for complete search history.

(56)

**References Cited**

U.S. PATENT DOCUMENTS

D661,795	S	*	6/2012	Clarke	.....	D24/110
D838,900	S	*	1/2019	Freese	.....	D27/170
D862,682	S	*	10/2019	Taslica	.....	D24/110
D881,460	S	*	4/2020	Han	.....	D27/162
D889,736	S	*	7/2020	Han	.....	D27/162
D894,479	S	*	8/2020	Cheung	.....	D27/162
D898,279	S	*	10/2020	Pierce	.....	D27/162
D901,763	S	*	11/2020	Cheung	.....	D27/167
D903,192	S	*	11/2020	Chang	.....	D27/162
D909,670	S	*	2/2021	Li	.....	D27/162
2016/0366947	A1	*	12/2016	Monsees	.....	B65D 25/54
2017/0231282	A1	*	8/2017	Bowen	.....	A24F 40/42 131/329

FOREIGN PATENT DOCUMENTS

CN	201830663225.4	*	11/2019
CN	201930557138.5	*	3/2020

\* cited by examiner

FIG. 1

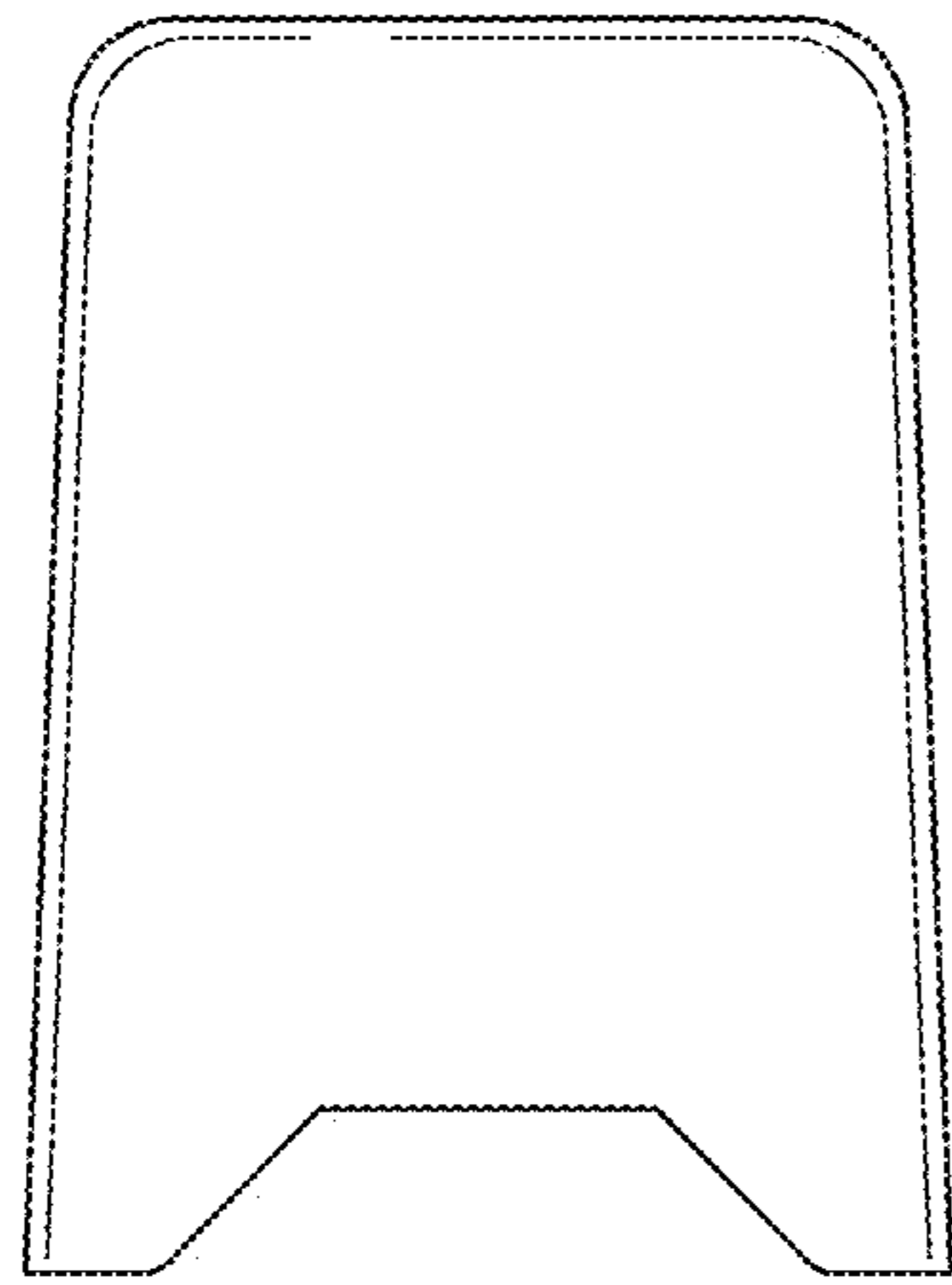
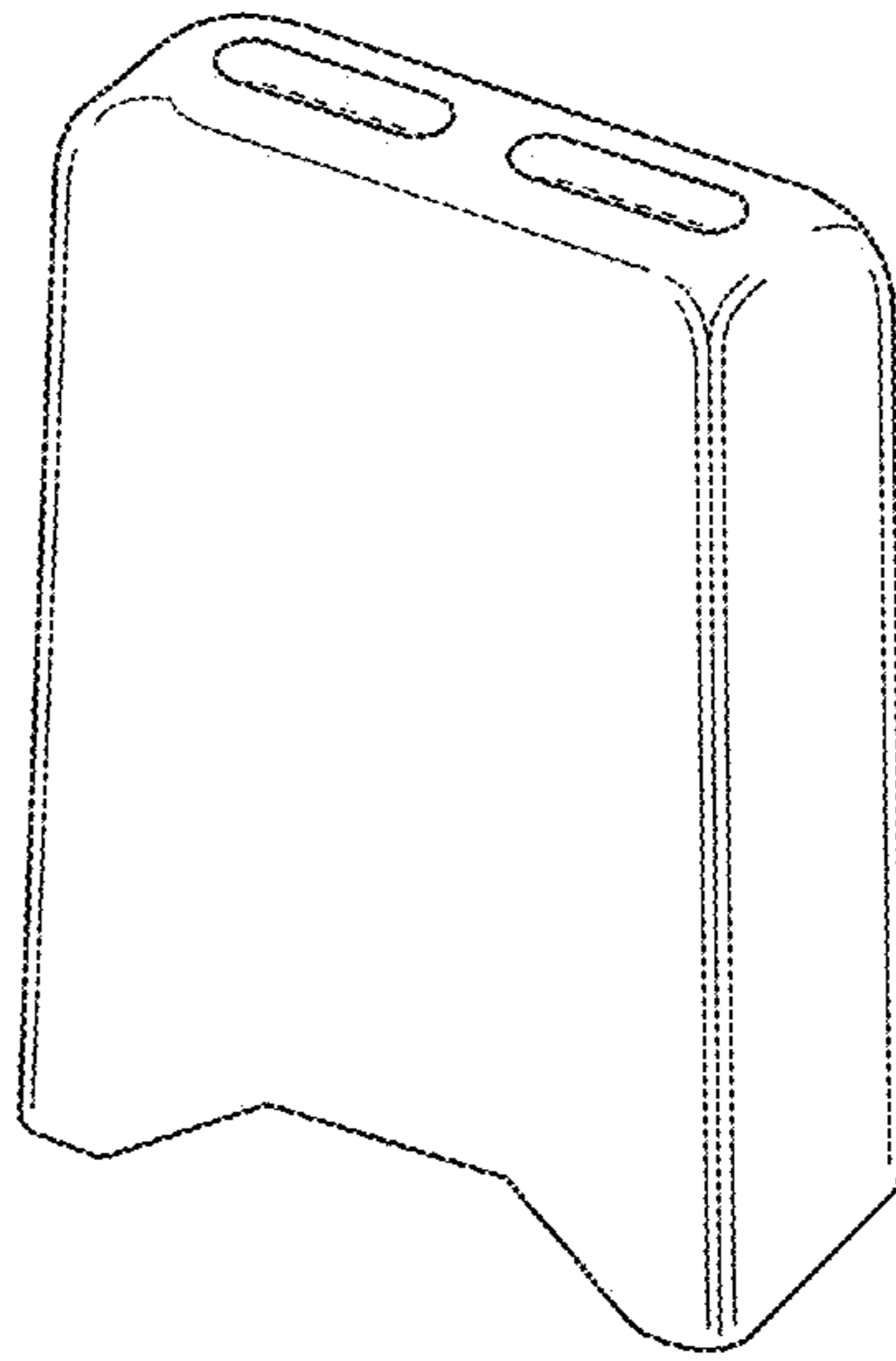


FIG. 2

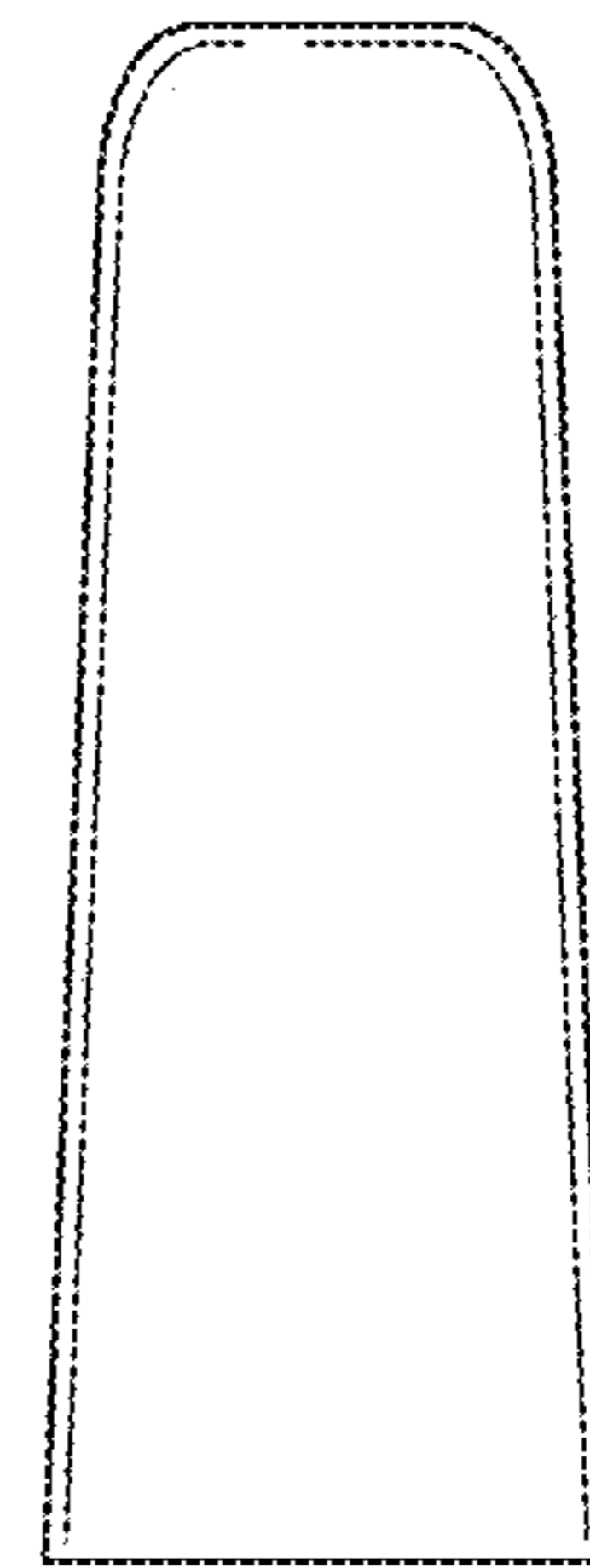


FIG. 3

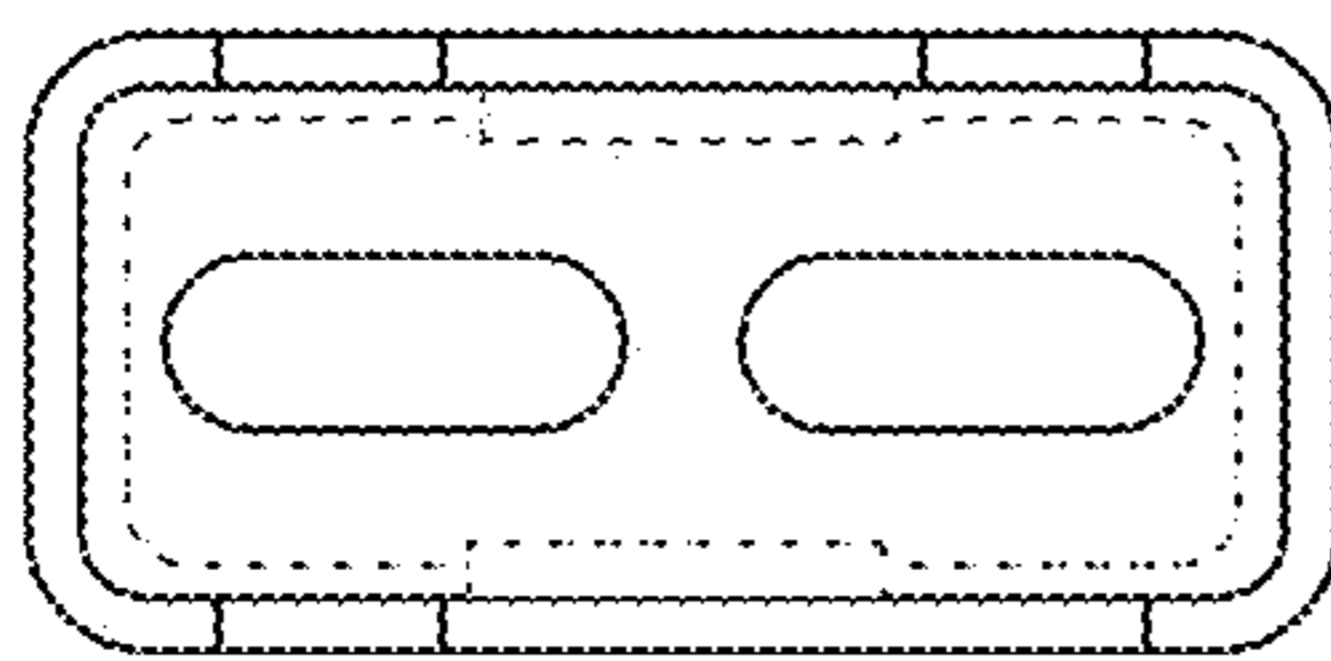


FIG. 4

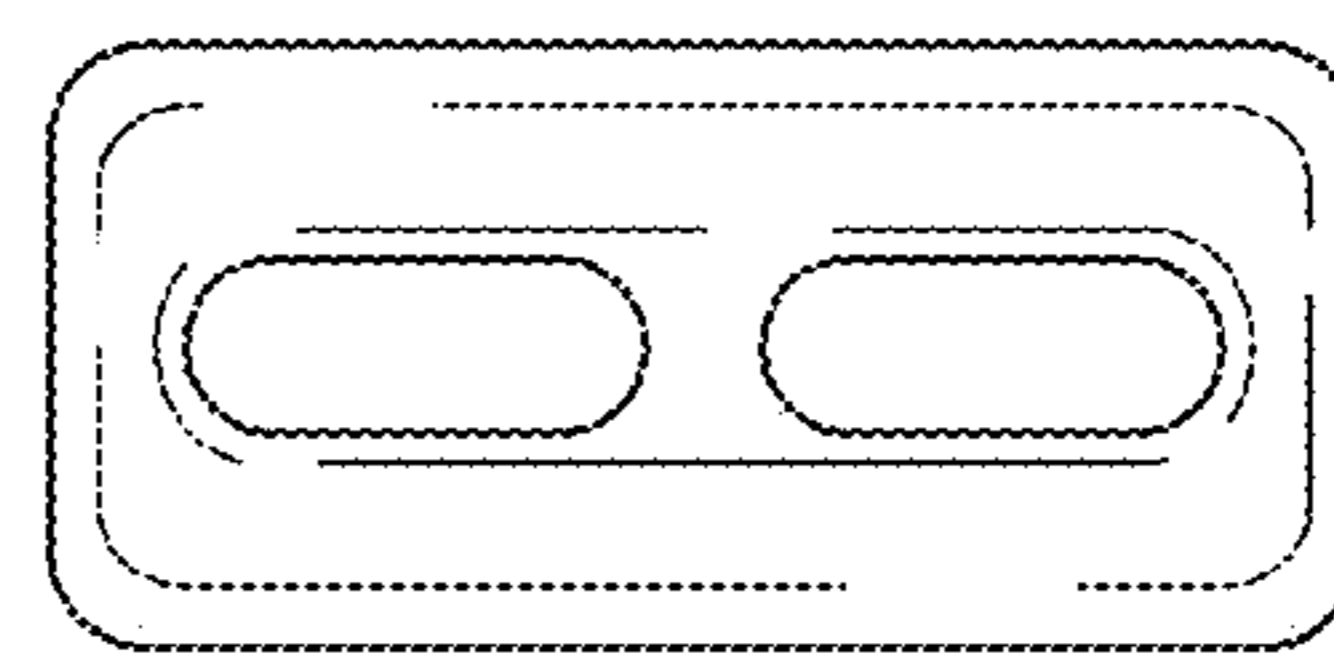


FIG. 5

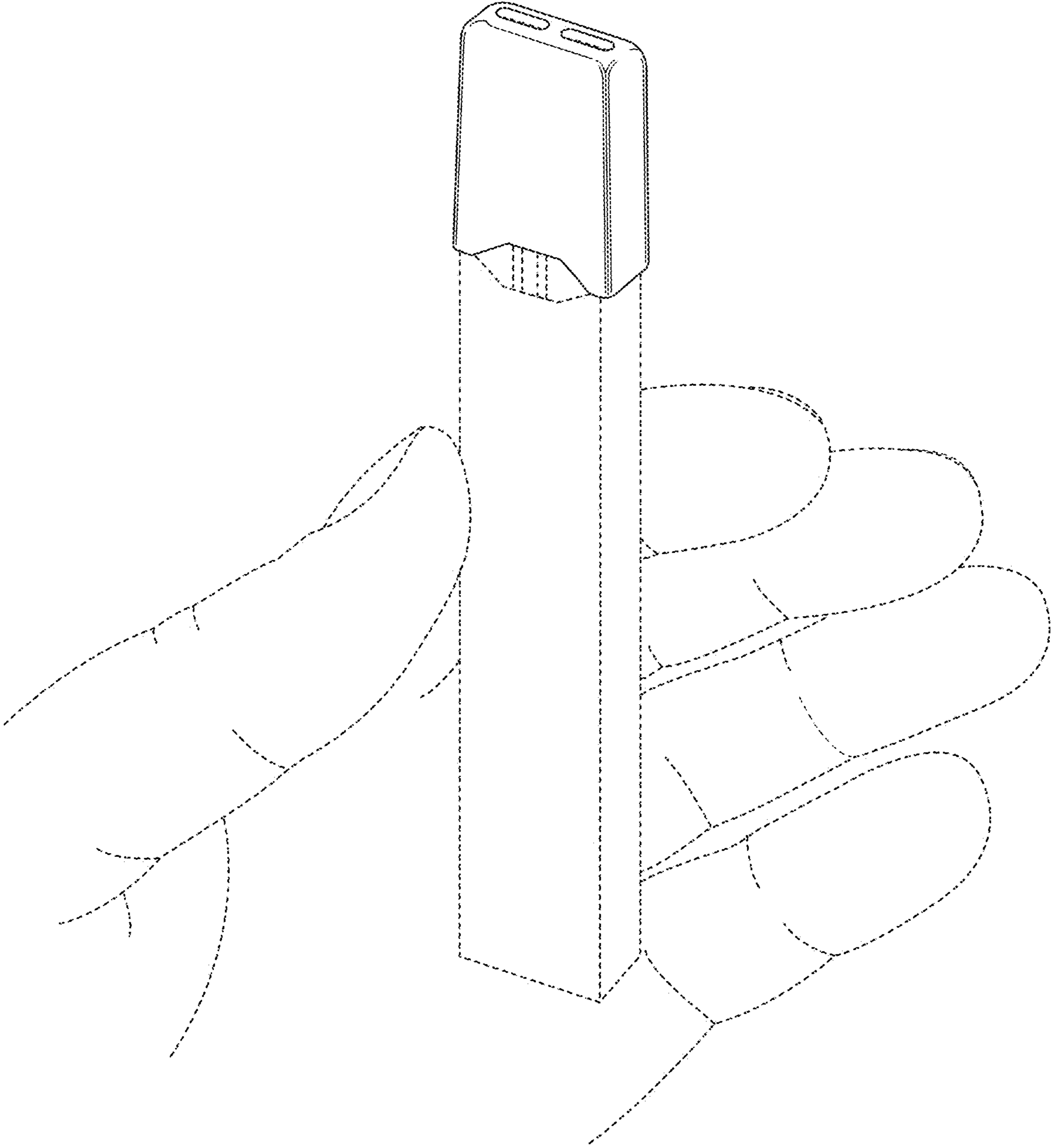


FIG. 6

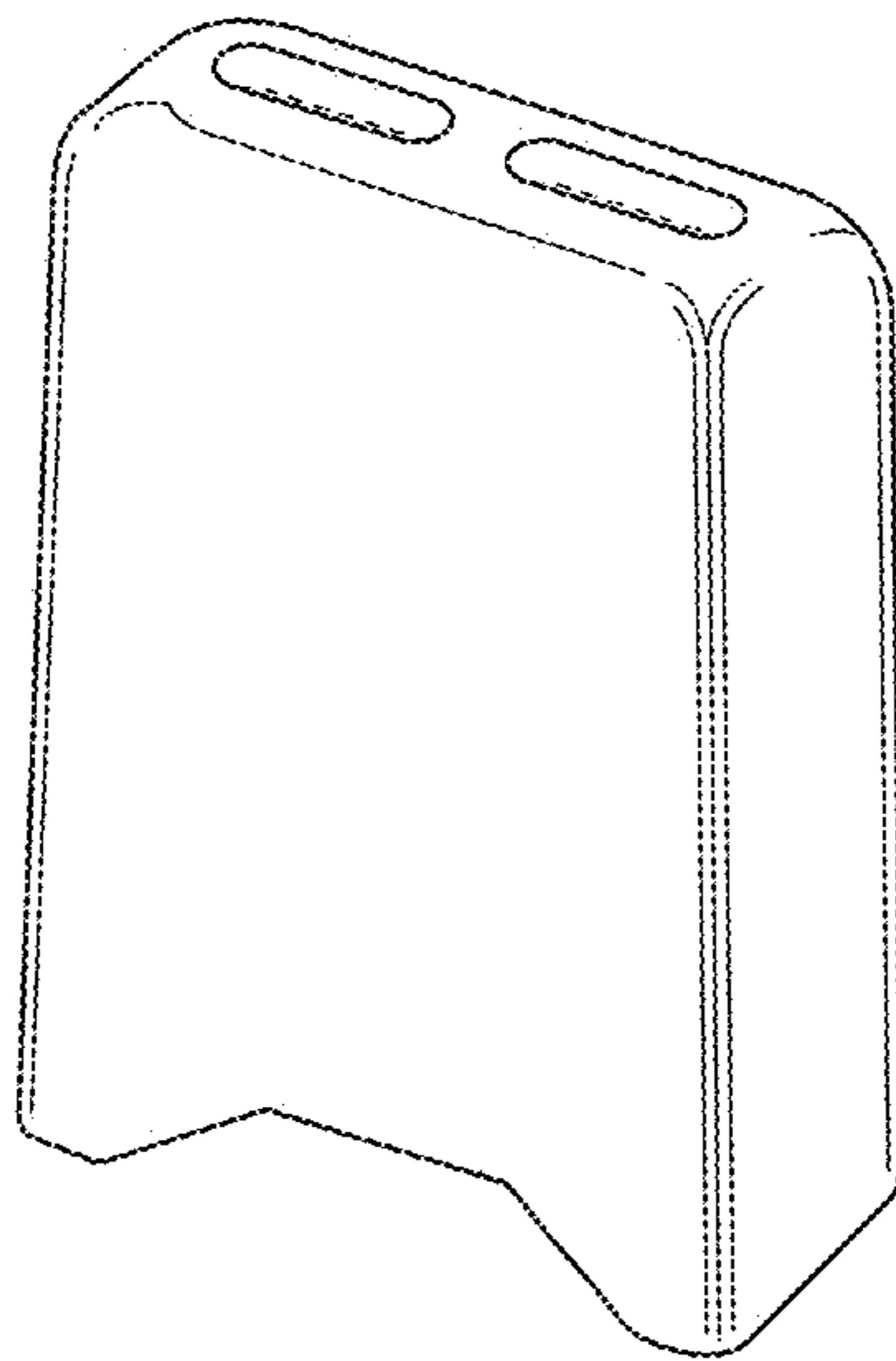


FIG. 7

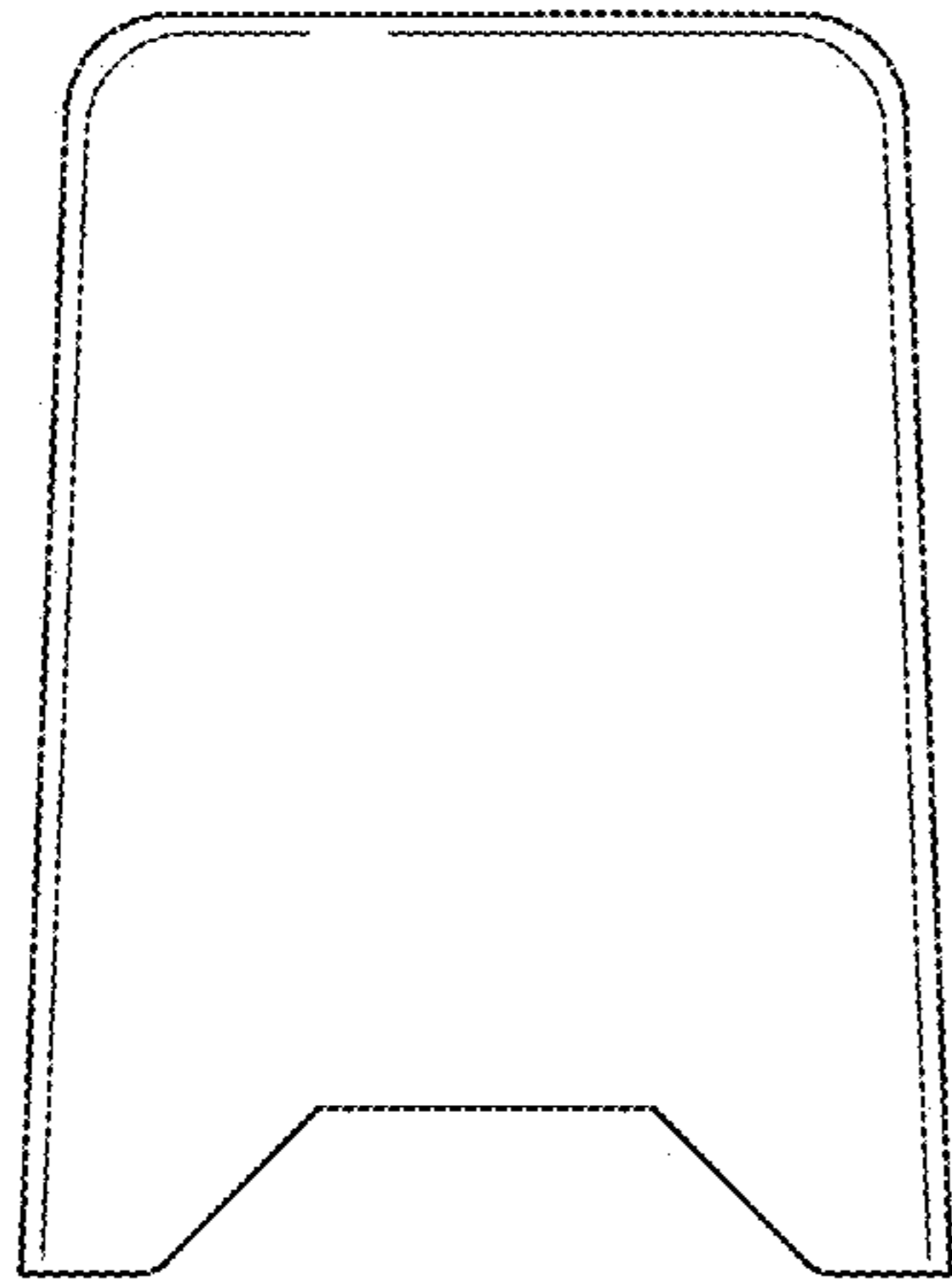


FIG. 8

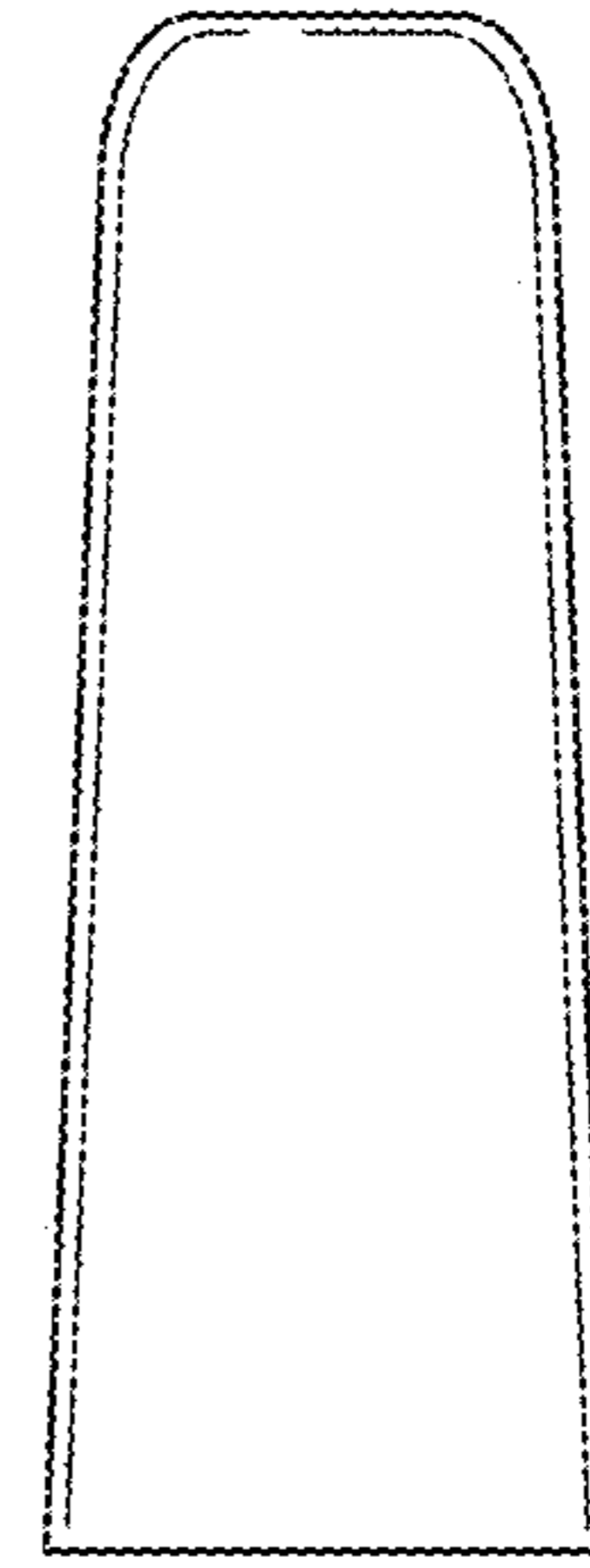


FIG. 9

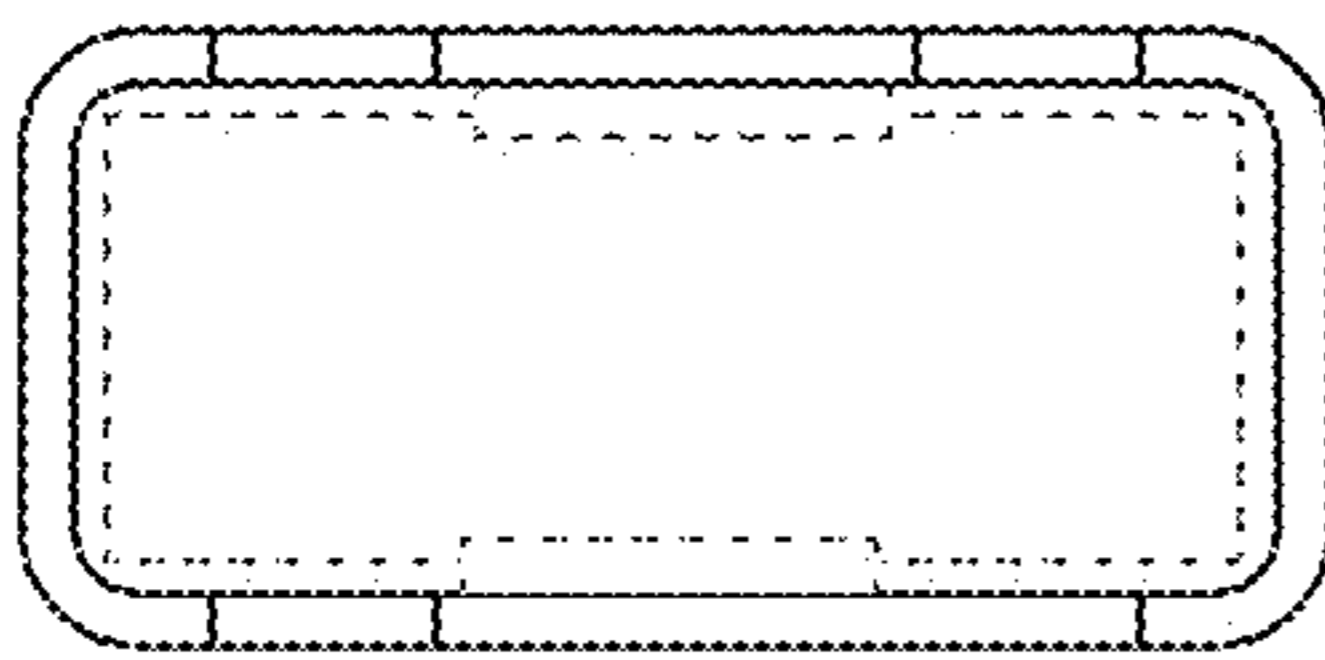


FIG. 10

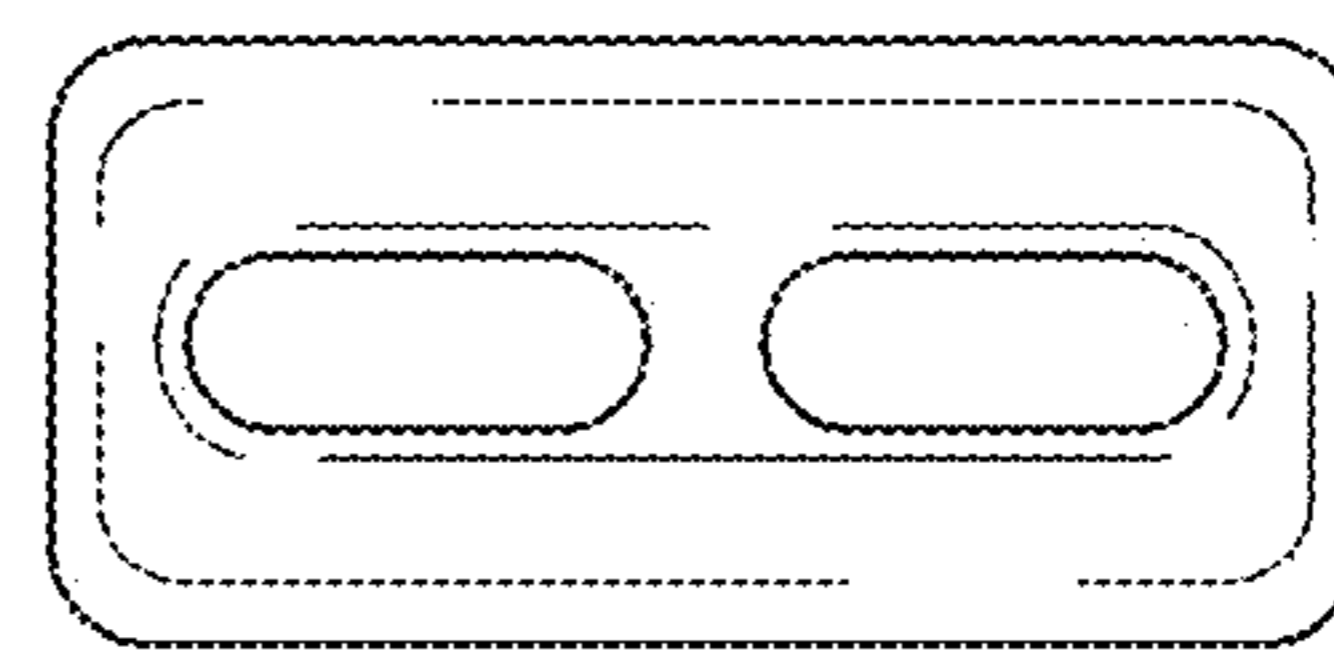


FIG. 11

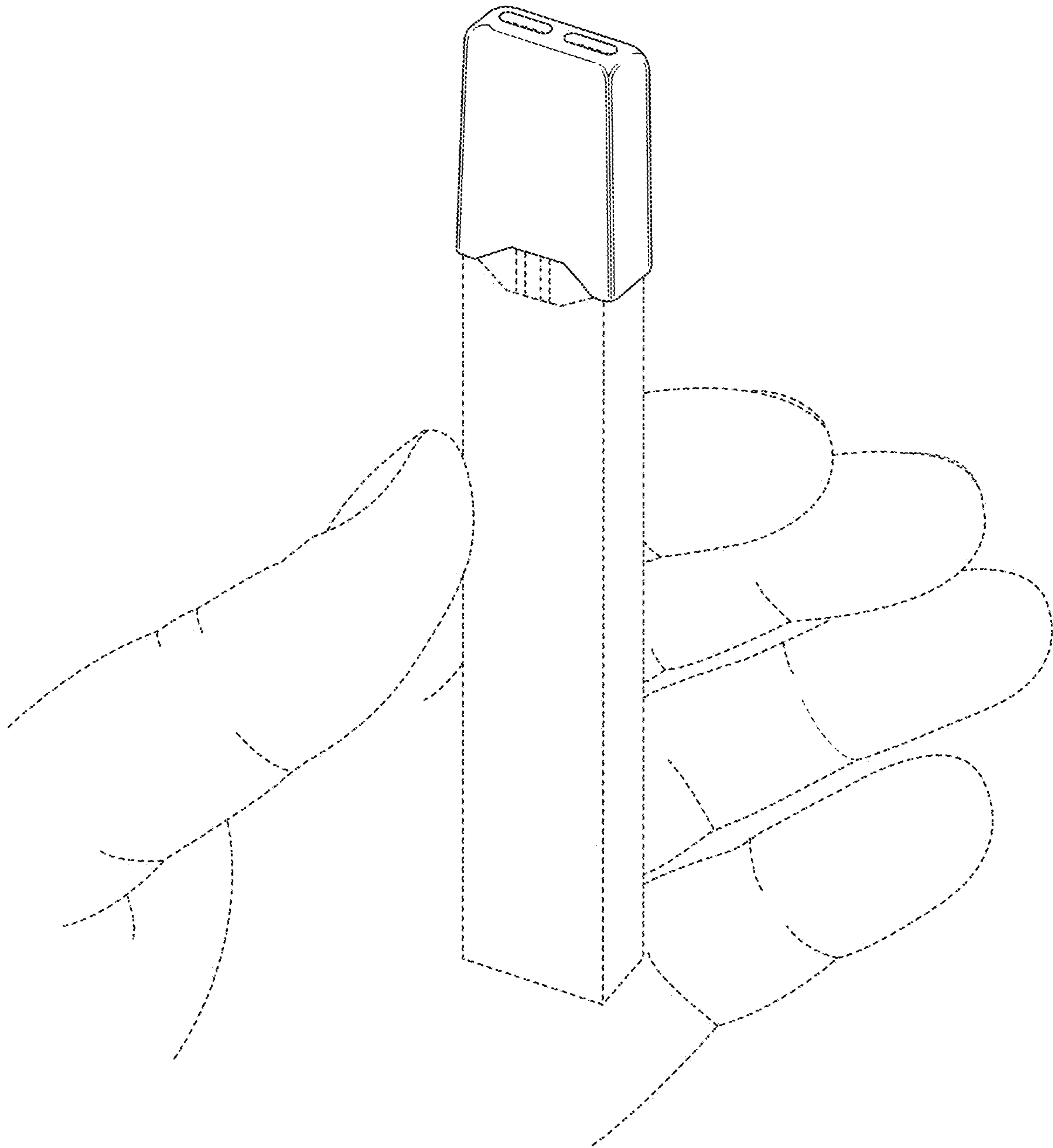


FIG. 12