



US00D921969S

(12) **United States Design Patent**
Simrell

(10) **Patent No.:** **US D921,969 S**

(45) **Date of Patent:** **** Jun. 8, 2021**

- (54) **VAPORIZER BODY**
- (71) Applicant: **Simrell Collection, LLC**, Toledo, OH (US)
- (72) Inventor: **Austyn Simrell**, Toledo, OH (US)
- (**) Term: **15 Years**
- (21) Appl. No.: **29/699,921**
- (22) Filed: **Jul. 30, 2019**
- (51) **LOC (13) Cl.** **27-02**
- (52) **U.S. Cl.**
USPC **D27/162**
- (58) **Field of Classification Search**
USPC D27/162, 100, 101, 163, 164, 165–172,
D27/174, 175, 176, 183, 185–194;
D24/110, 110.5; D23/366
CPC A24F 47/002; A24F 47/006; A24F 47/008;
A61M 15/00; A61M 15/06
See application file for complete search history.

- D818,636 S * 5/2018 Qiu D27/101
- D822,271 S * 7/2018 Eksouzian D27/101
- D825,844 S * 8/2018 Verleur D27/167
- D871,665 S * 12/2019 Choe D27/162
- D876,719 S * 2/2020 Vermette D27/162
- D883,566 S * 5/2020 Filleul D27/162
- D889,034 S * 6/2020 Stewart D27/162
- D894,478 S * 8/2020 Fornarelli D27/162

* cited by examiner

Primary Examiner — Marissa J Cash
Assistant Examiner — Rebecca Tsehaye
 (74) *Attorney, Agent, or Firm* — Michael E. Dockins;
 Shumaker, Loop & Kendrick, LLP

(57) **CLAIM**

The ornamental design for vaporizer body, as shown and described.

DESCRIPTION

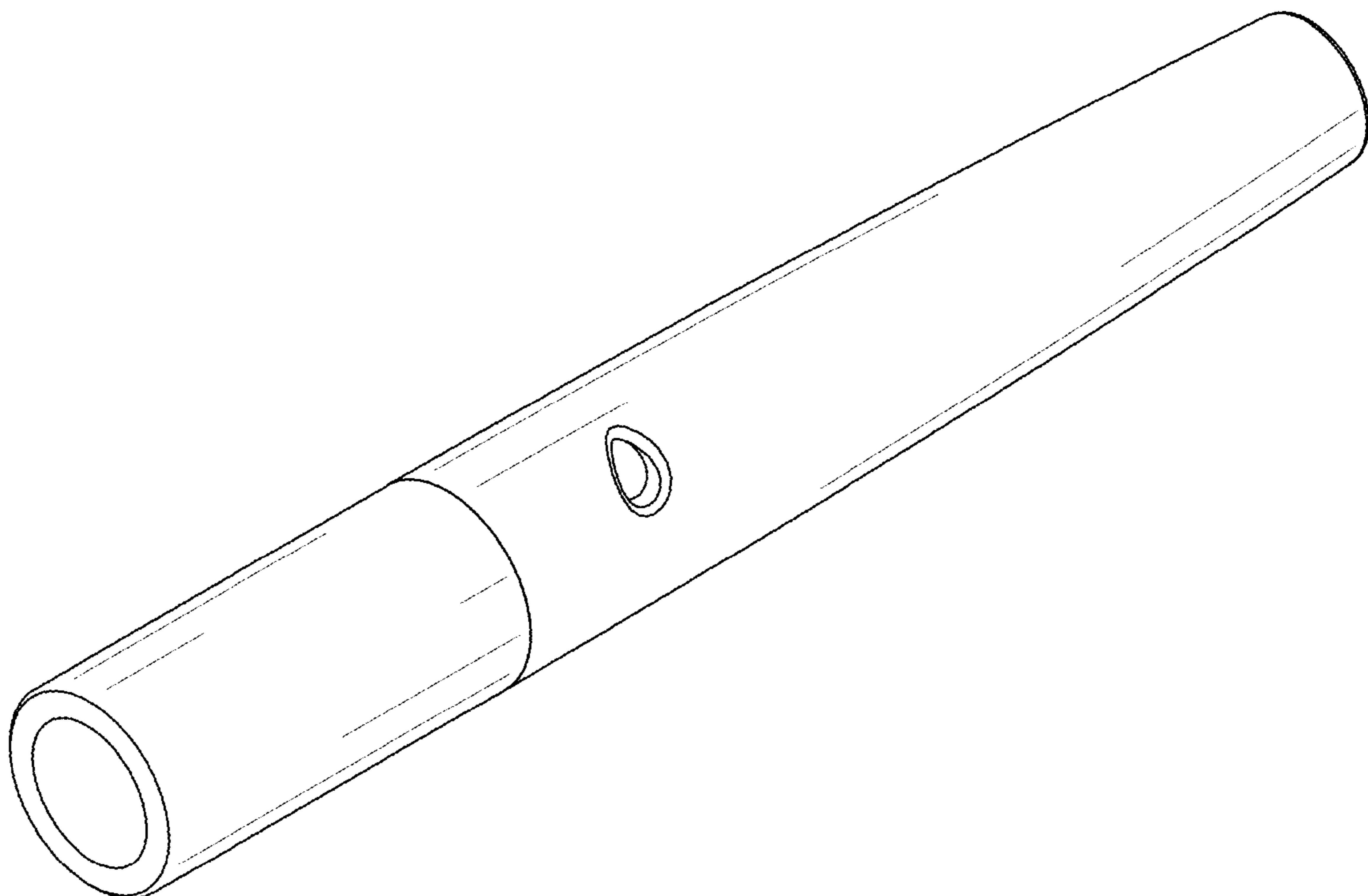
FIG. 1 is a perspective view of a vaporizer body of the invention;
 FIG. 2 is a left side elevational view thereof;
 FIG. 3 is a right side elevational view thereof;
 FIG. 4 is a top elevational view thereof;
 FIG. 5 is a bottom elevation view thereof;
 FIG. 6 is front elevational view thereof; and,
 FIG. 7 is a back elevation view thereof.
 The broken lines in the drawings depict portions of the vaporizer body that form no part of the claimed design.

1 Claim, 4 Drawing Sheets

(56) **References Cited**

U.S. PATENT DOCUMENTS

- D693,053 S * 11/2013 Chen D27/101
- D720,094 S * 12/2014 Alima D27/101
- D720,095 S * 12/2014 Alima D27/163
- D720,496 S * 12/2014 Alima D27/101
- D720,882 S * 1/2015 Albanese D27/101
- D723,216 S * 2/2015 Chen D27/101
- D761,998 S * 7/2016 Pinder D27/101
- D790,122 S * 6/2017 Hawes D27/101
- D805,684 S * 12/2017 Thuery D27/101
- D813,447 S * 3/2018 Watson D27/162



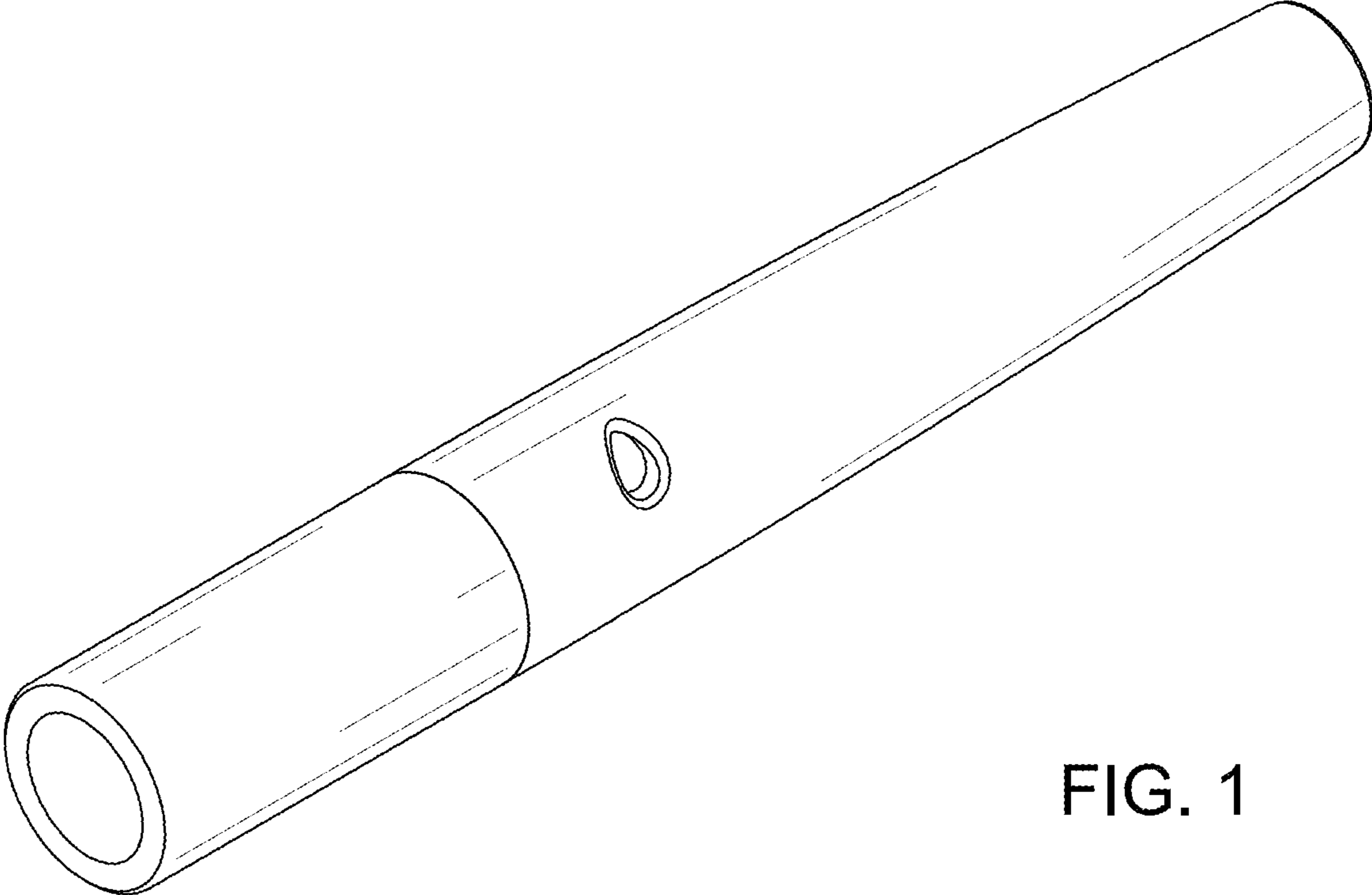


FIG. 1

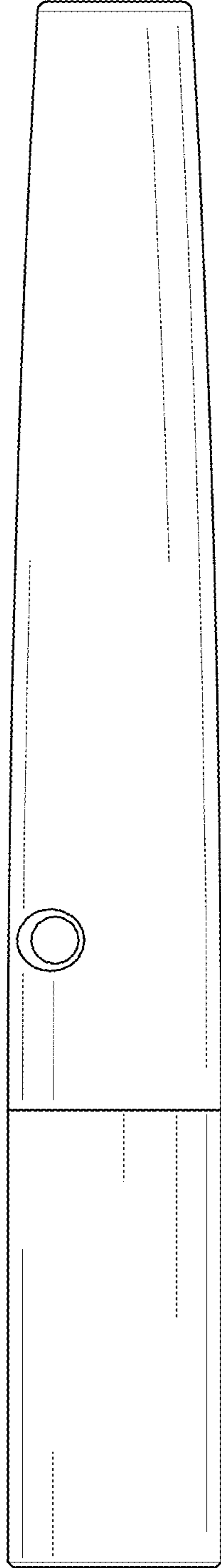


FIG. 2

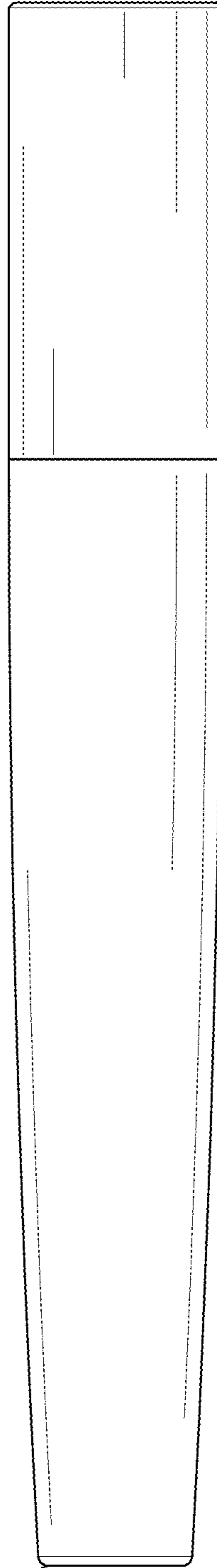


FIG. 3

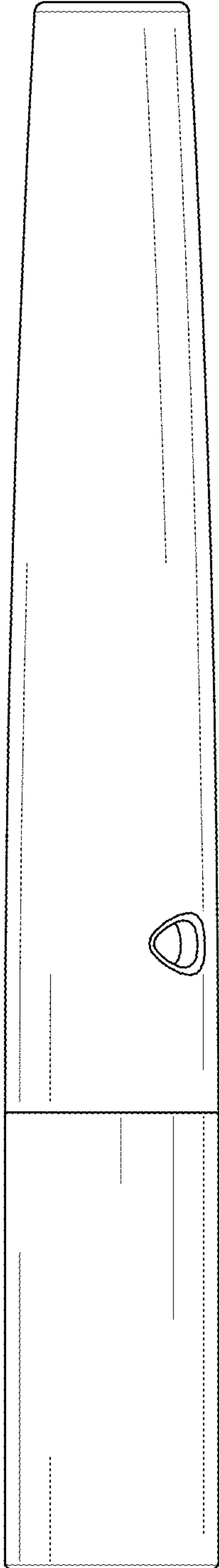


FIG. 4

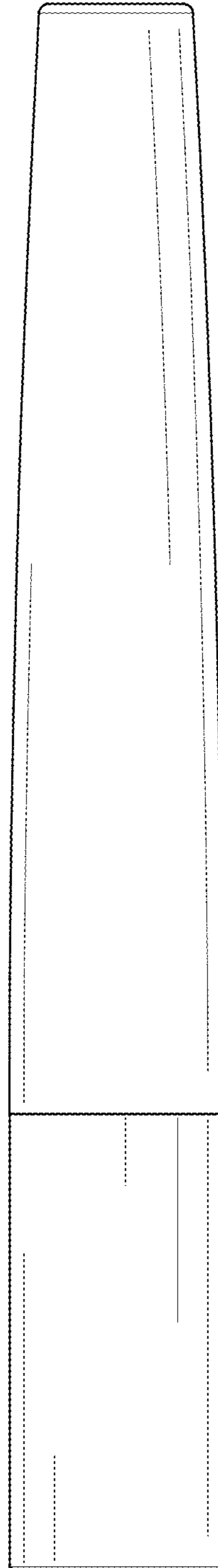


FIG. 5

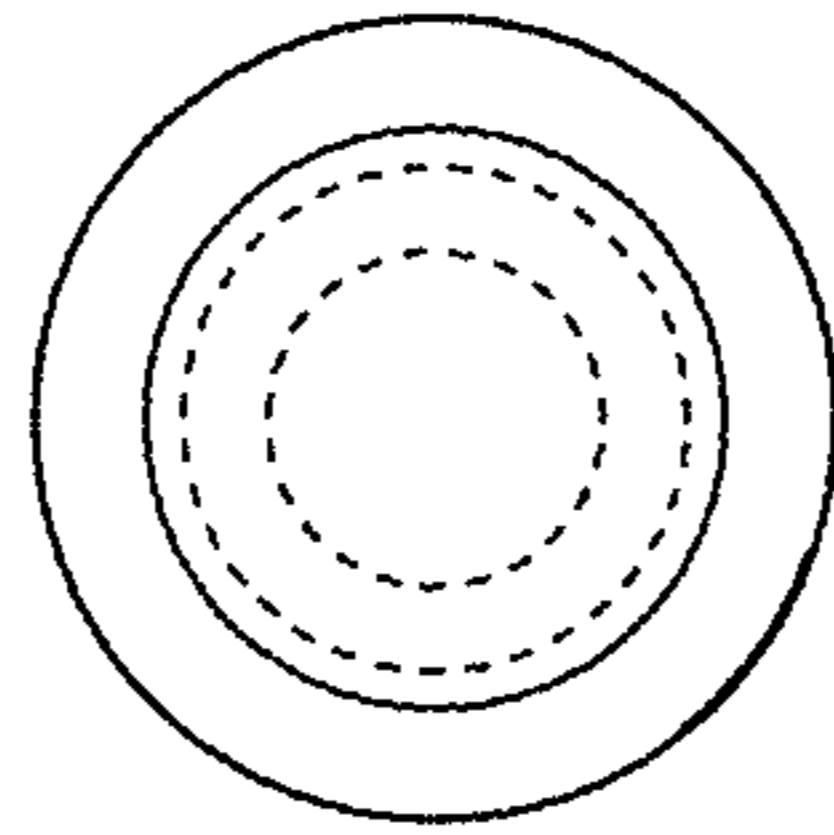


FIG. 6

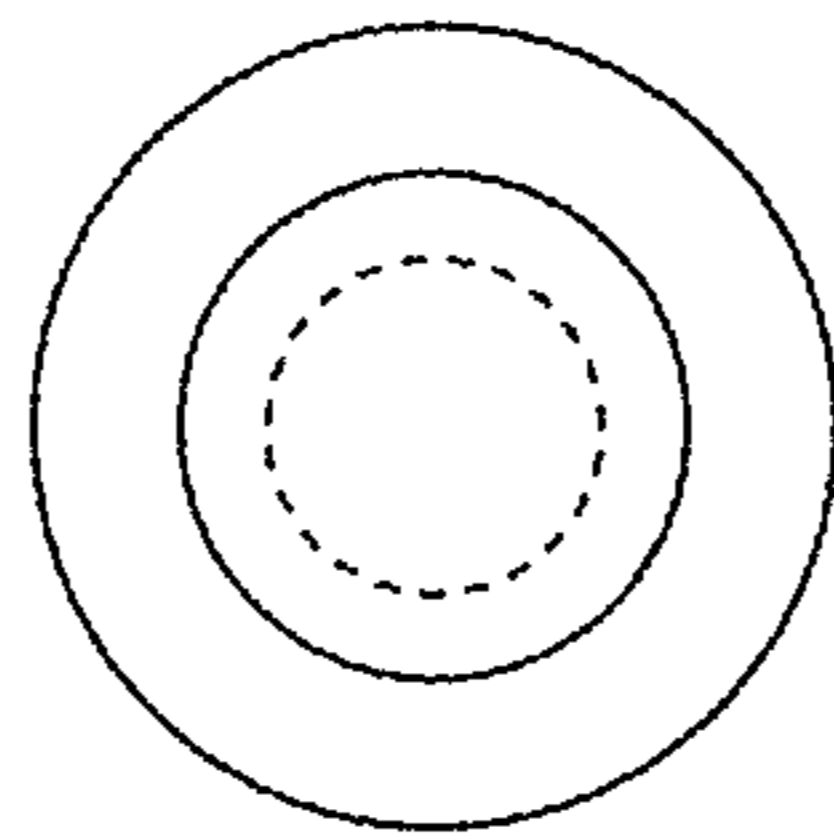


FIG. 7