



US00D921967S

(12) **United States Design Patent**
Lee et al.

(10) **Patent No.:** **US D921,967 S**
(45) **Date of Patent:** **** Jun. 8, 2021**

(54) **COMBINED LIGHTER HOLDER WITH CIGAR SPLITTER AND KEYCHAIN HOLDER**

(71) Applicant: **EZ Splitz USA, Inc.**

(72) Inventors: **Young Jin Lee**, Fullerton, CA (US);
Young Min Lee, Fullerton, CA (US)

(73) Assignee: **EZ SPLITZ USA, INC.**, Commerce, CA (US)

(**) Term: **15 Years**

(21) Appl. No.: **29/701,324**

(22) Filed: **Aug. 9, 2019**

(51) **LOC (13) Cl.** **27-05**

(52) **U.S. Cl.**
USPC **D27/143**

(58) **Field of Classification Search**
USPC D27/143, 142, 139, 172, 194, 195;
D3/208, 207, 210, 211

CPC A24F 13/12; A24F 13/24; A24F 13/25;
A24F 47/00; A44B 15/00; F23Q 2/32;
F23Q 2/34

See application file for complete search history.

(56) **References Cited**

U.S. PATENT DOCUMENTS

2,573,381 A	10/1951	Arnold	
D245,347 S	8/1977	Casey	
4,711,254 A	12/1987	Fleisher et al.	
D386,814 S *	11/1997	Mesco	D27/195
D391,016 S *	2/1998	Marusiak	D27/195
D392,409 S	3/1998	Davidoski	
D397,827 S *	9/1998	Reveley	D27/195
D398,072 S *	9/1998	Singletary	D27/195
D414,893 S	10/1999	Moore	
5,992,286 A	11/1999	Boole	

D455,521 S *	4/2002	Park	D27/195
D471,005 S *	3/2003	Hastings	D3/215
D570,041 S	5/2008	Smith	
9,055,769 B2 *	6/2015	Liao	A24F 13/26
9,089,167 B2	7/2015	Lee et al.	
D791,403 S *	7/2017	Malhi	D27/195
D809,194 S *	1/2018	Falcone	D27/172
D812,293 S *	3/2018	Fischer	D27/195
10,028,530 B2 *	7/2018	Lee	A44B 15/00
D887,633 S *	6/2020	Crowley	D27/195
D897,031 S *	9/2020	Fischer	D27/144
2003/0056800 A1	3/2003	Lin	

(Continued)

Primary Examiner — Marissa J Cash

Assistant Examiner — Rebecca Tsehaye

(74) *Attorney, Agent, or Firm* — Womble Bond Dickinson (US) LLP

(57) **CLAIM**

The ornamental design for a combined lighter holder with cigar splitter and keychain holder, as shown and described.

DESCRIPTION

FIG. 1 is a side perspective view of a combined lighter holder with cigar splitter and keychain holder showing our new design.

FIG. 2 is a right side elevation view thereof.

FIG. 3 is a left side elevation view thereof.

FIG. 4 is a front elevation view thereof.

FIG. 5 is a rear elevation view thereof.

FIG. 6 is a bottom plan view thereof.

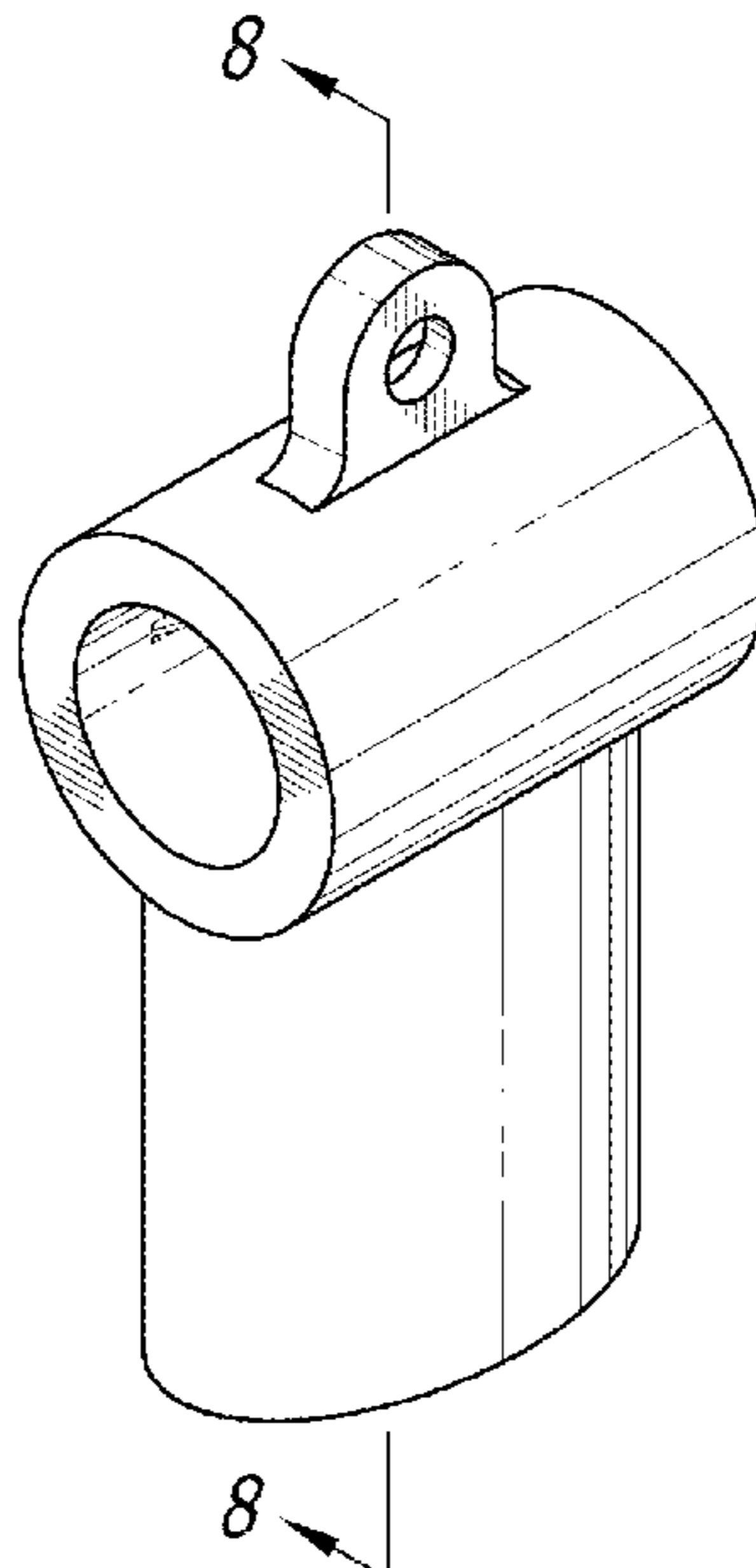
FIG. 7 is a top plan view thereof.

FIG. 8 is a cross-sectional view thereof taken along line 8-8 of FIG. 1; and,

FIG. 9 is cross-sectional view thereof taken along line 9-9 of FIG. 4.

The broken lines shown in FIGS. 1, 4, 5, 8 and 9 represent portions of the article for which protection is not sought.

1 Claim, 3 Drawing Sheets



(56)

References Cited

U.S. PATENT DOCUMENTS

2007/0051382 A1 3/2007 Alls
2008/0202535 A1 8/2008 Stokes et al.

* cited by examiner

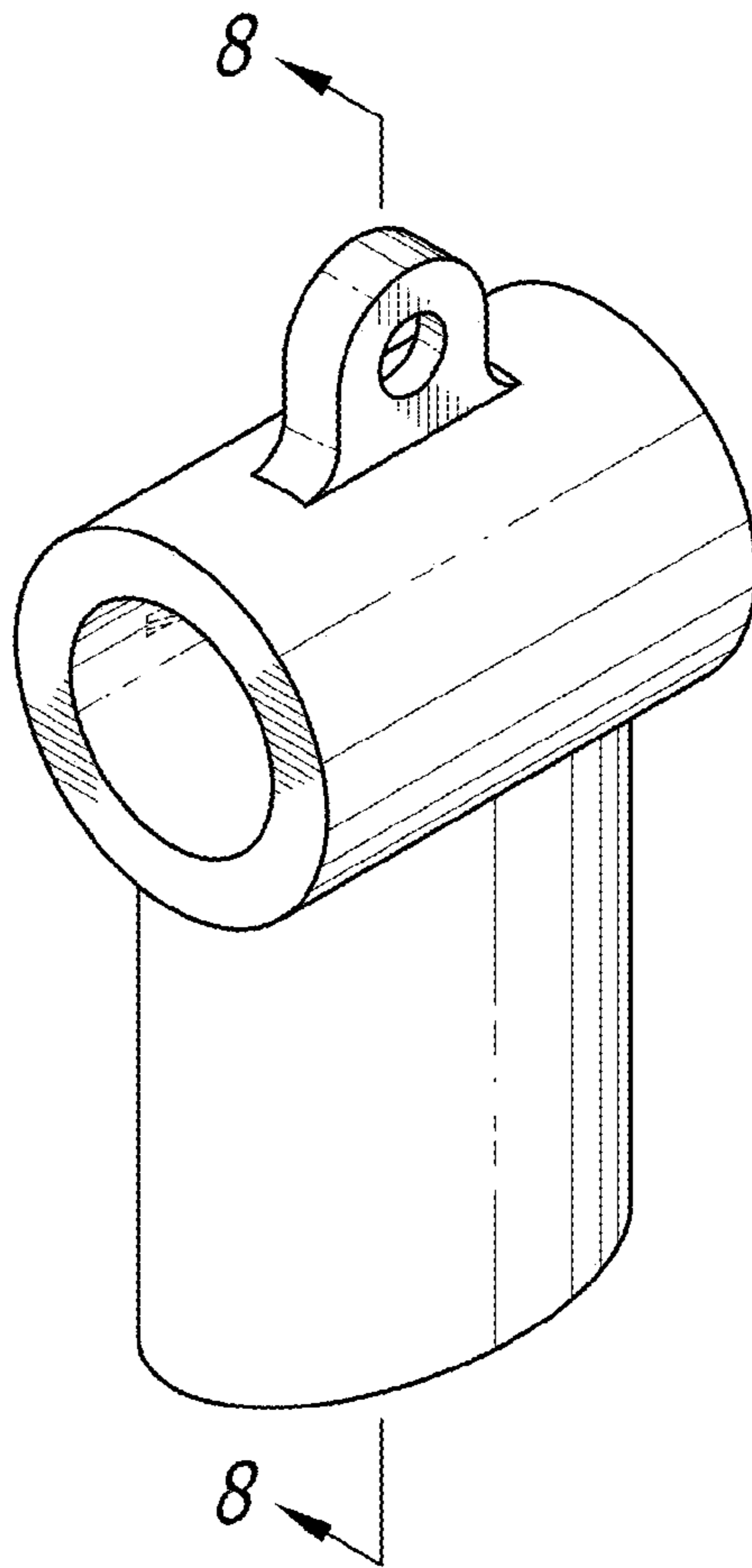


FIG. 1

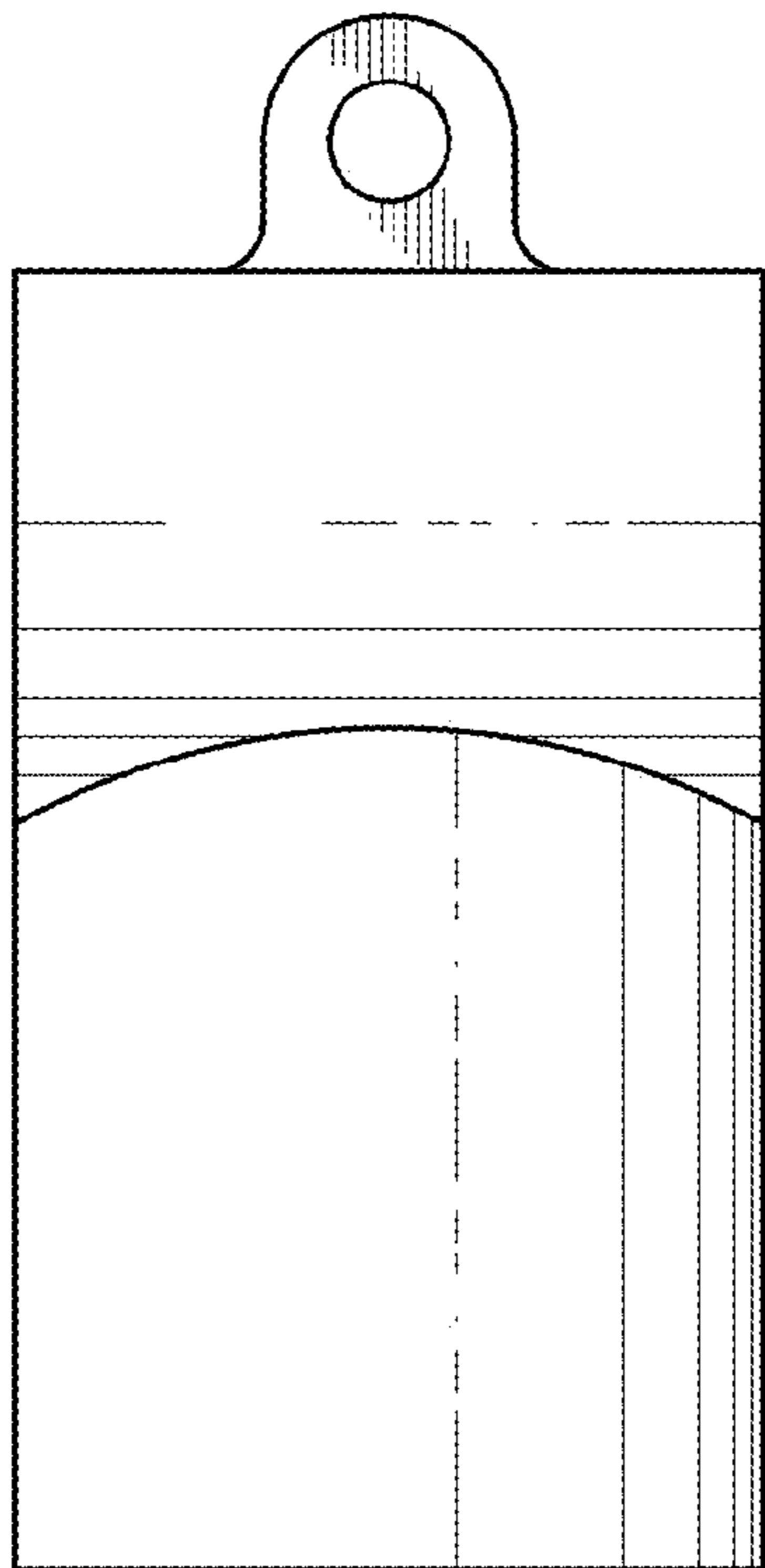


FIG. 2

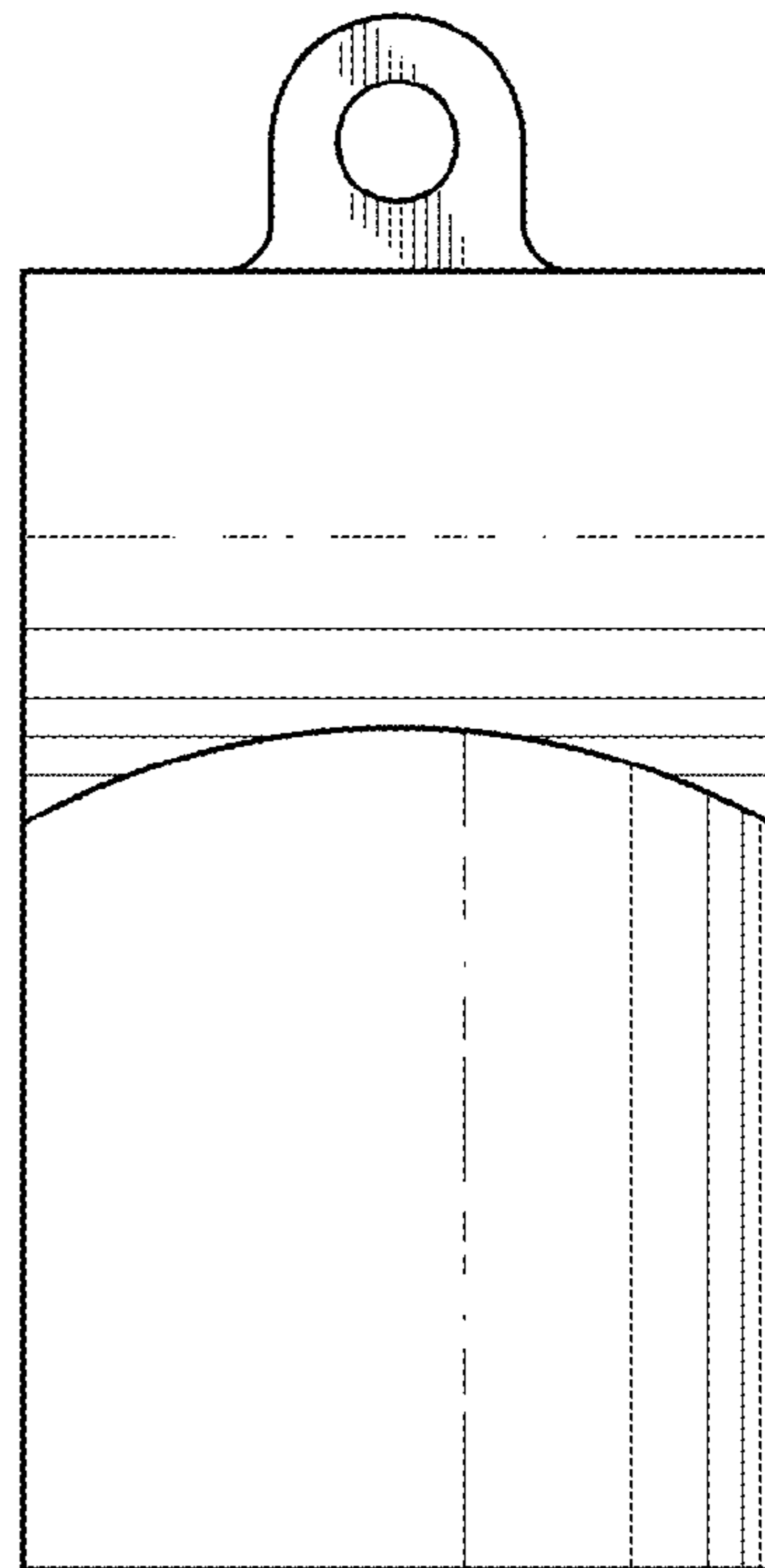


FIG. 3

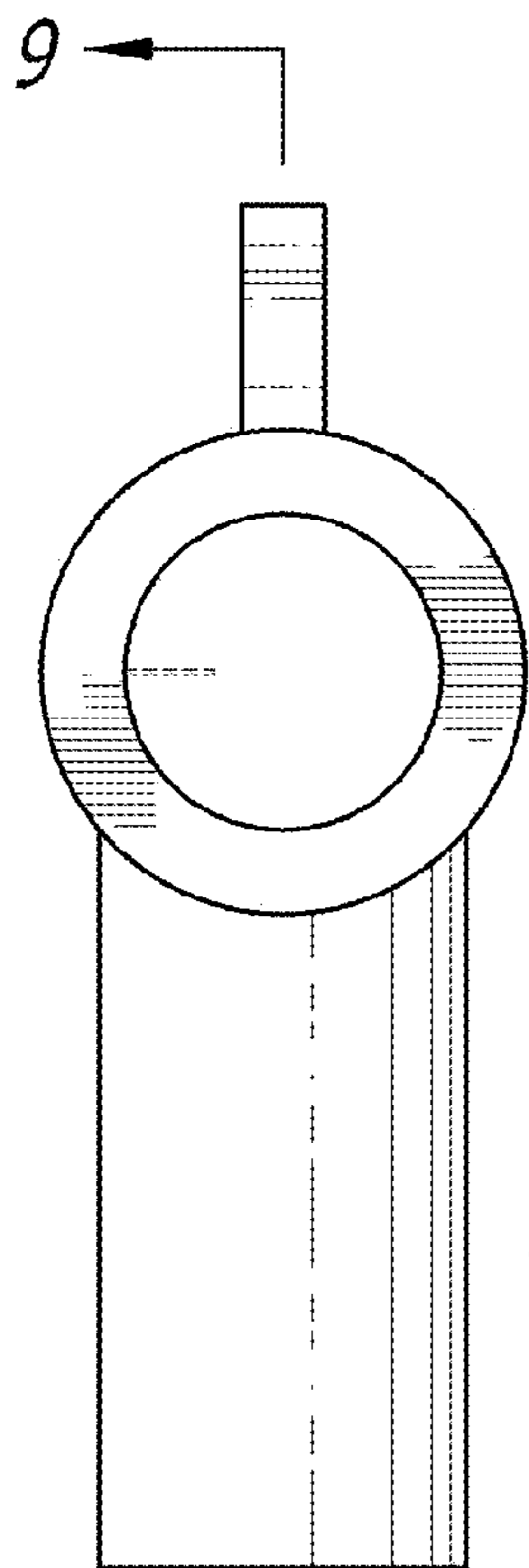


FIG. 4

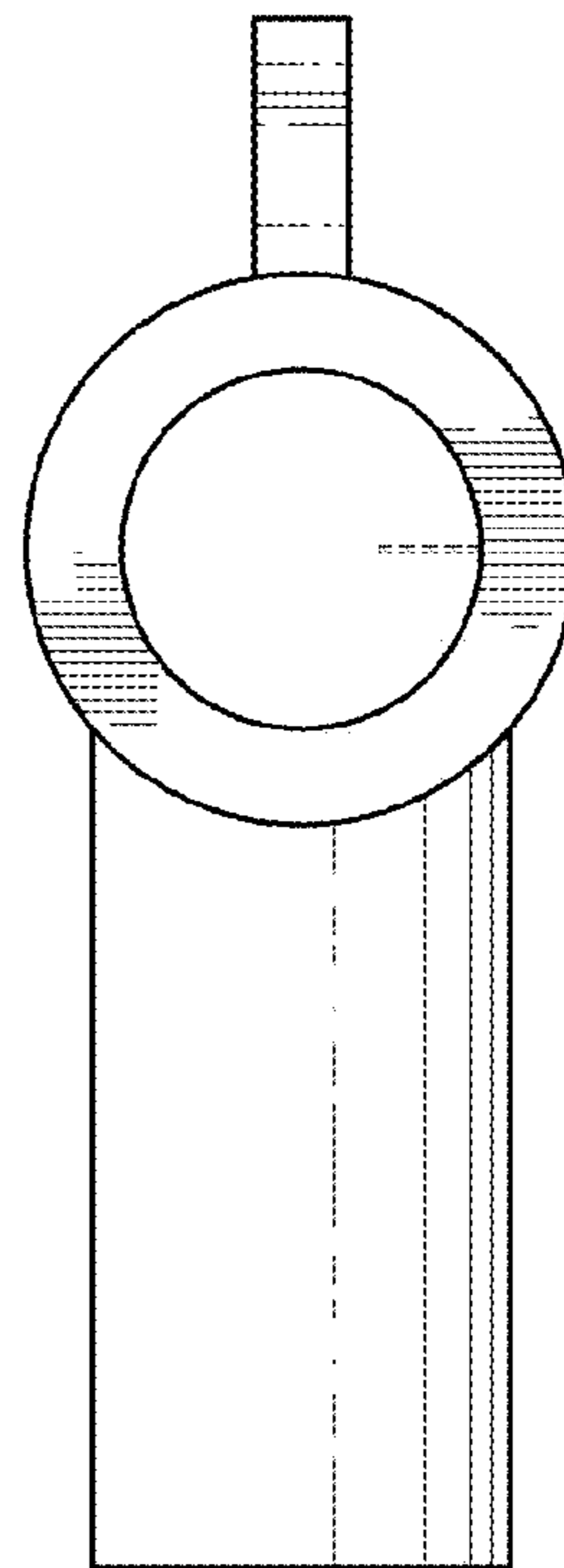


FIG. 5

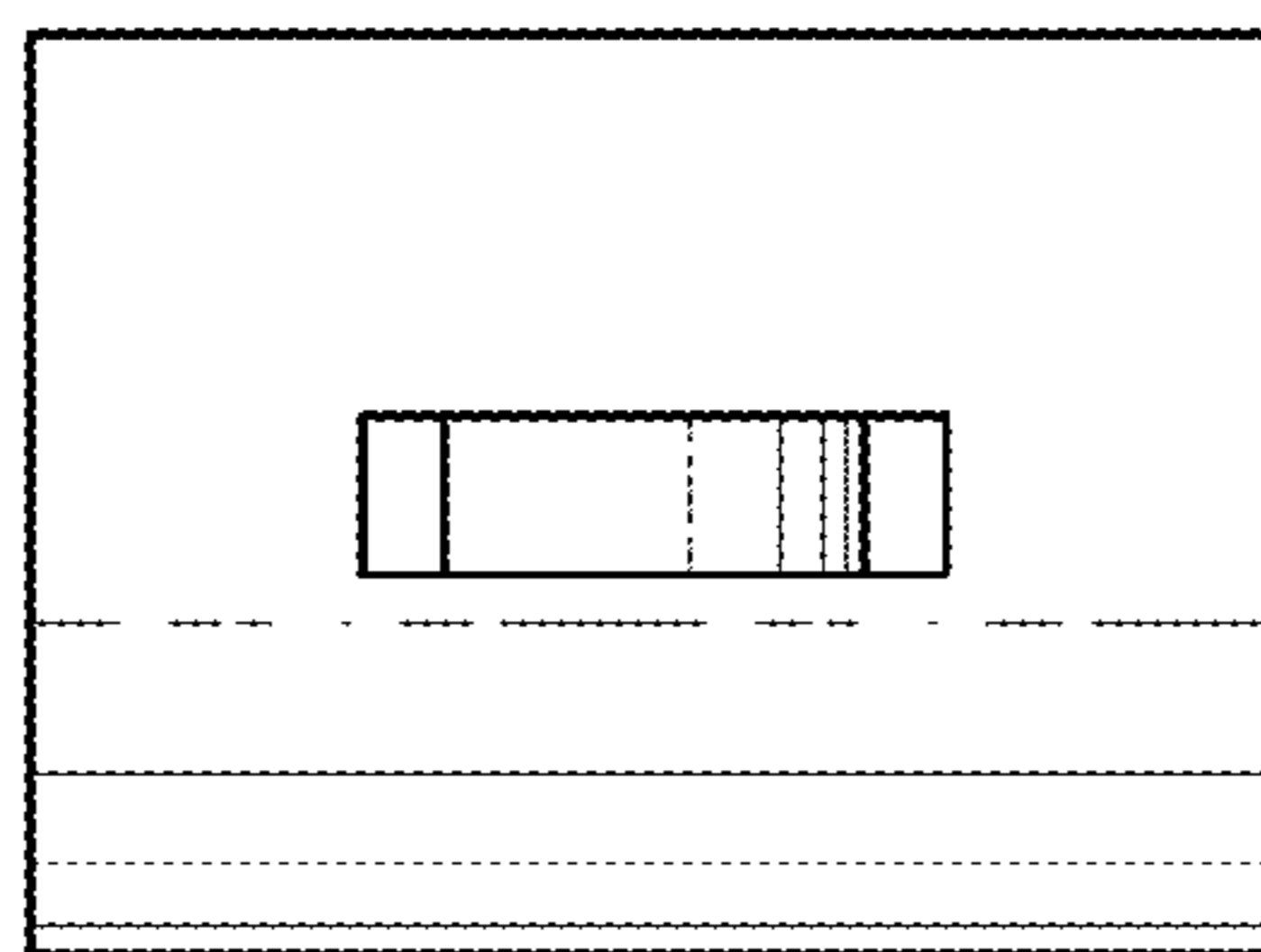
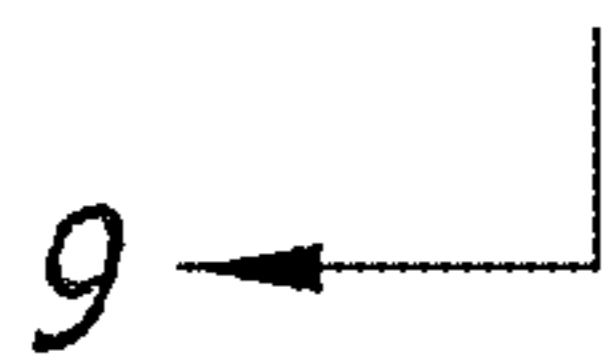


FIG. 6

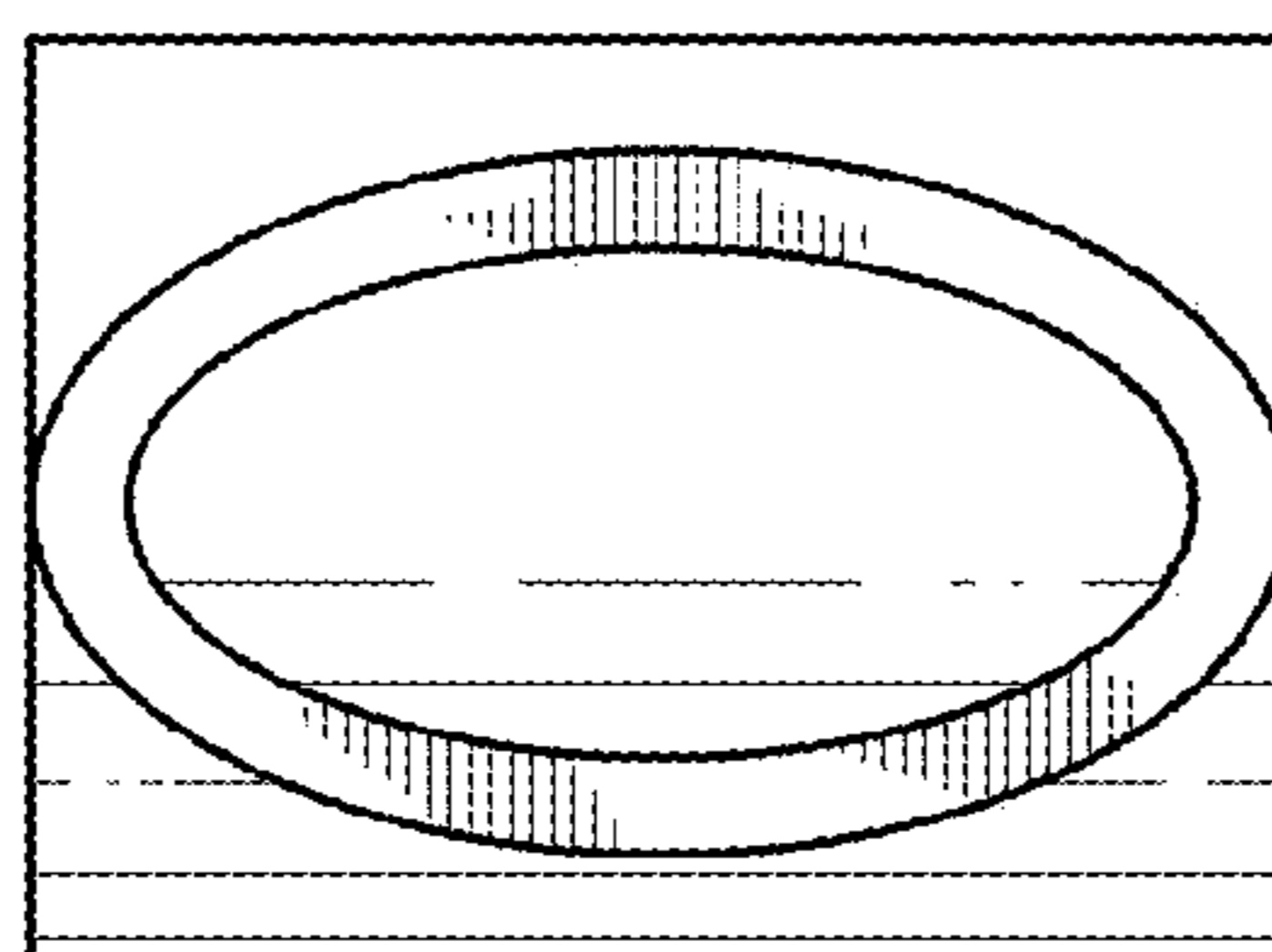


FIG. 7

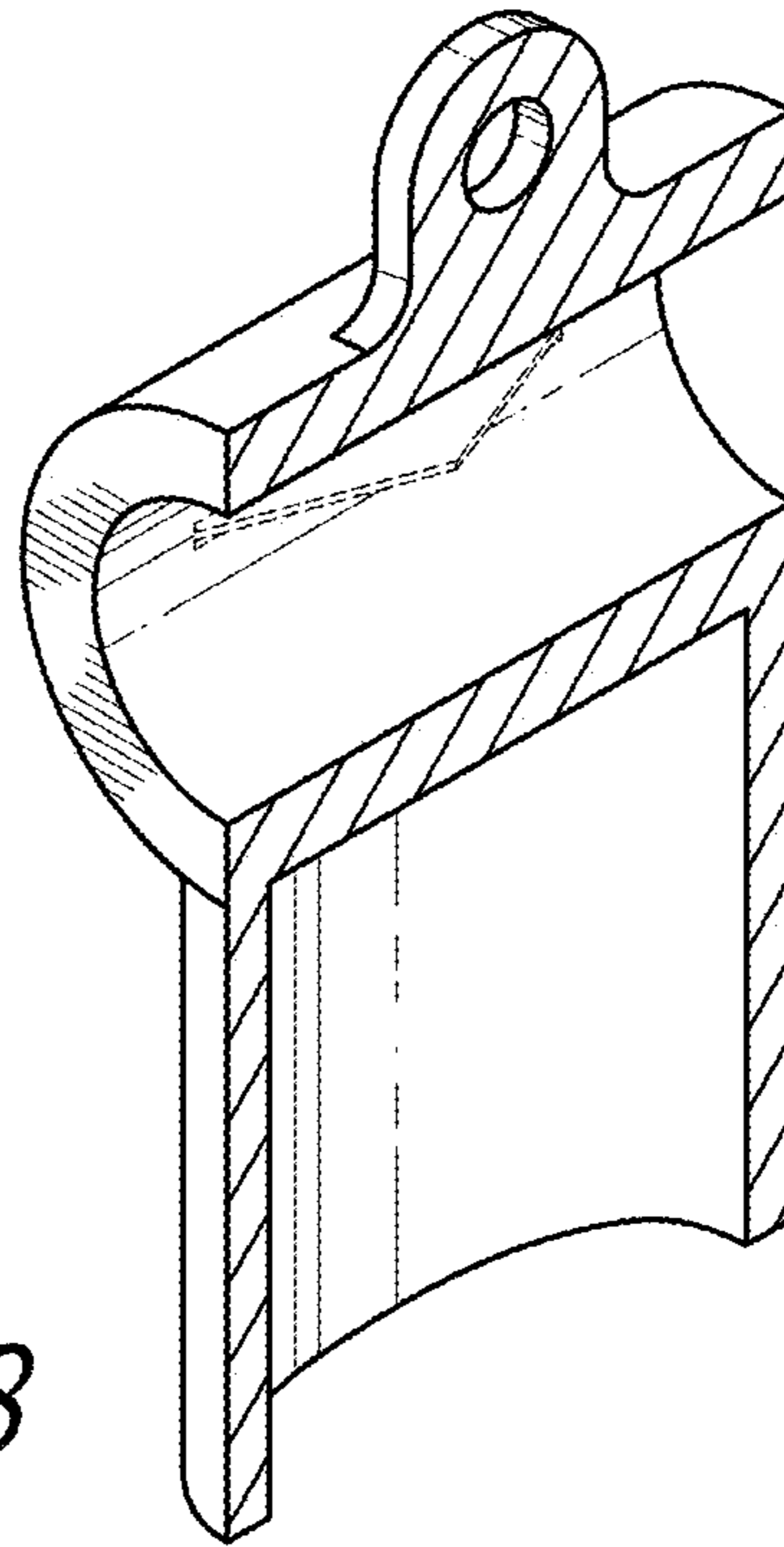


FIG. 8

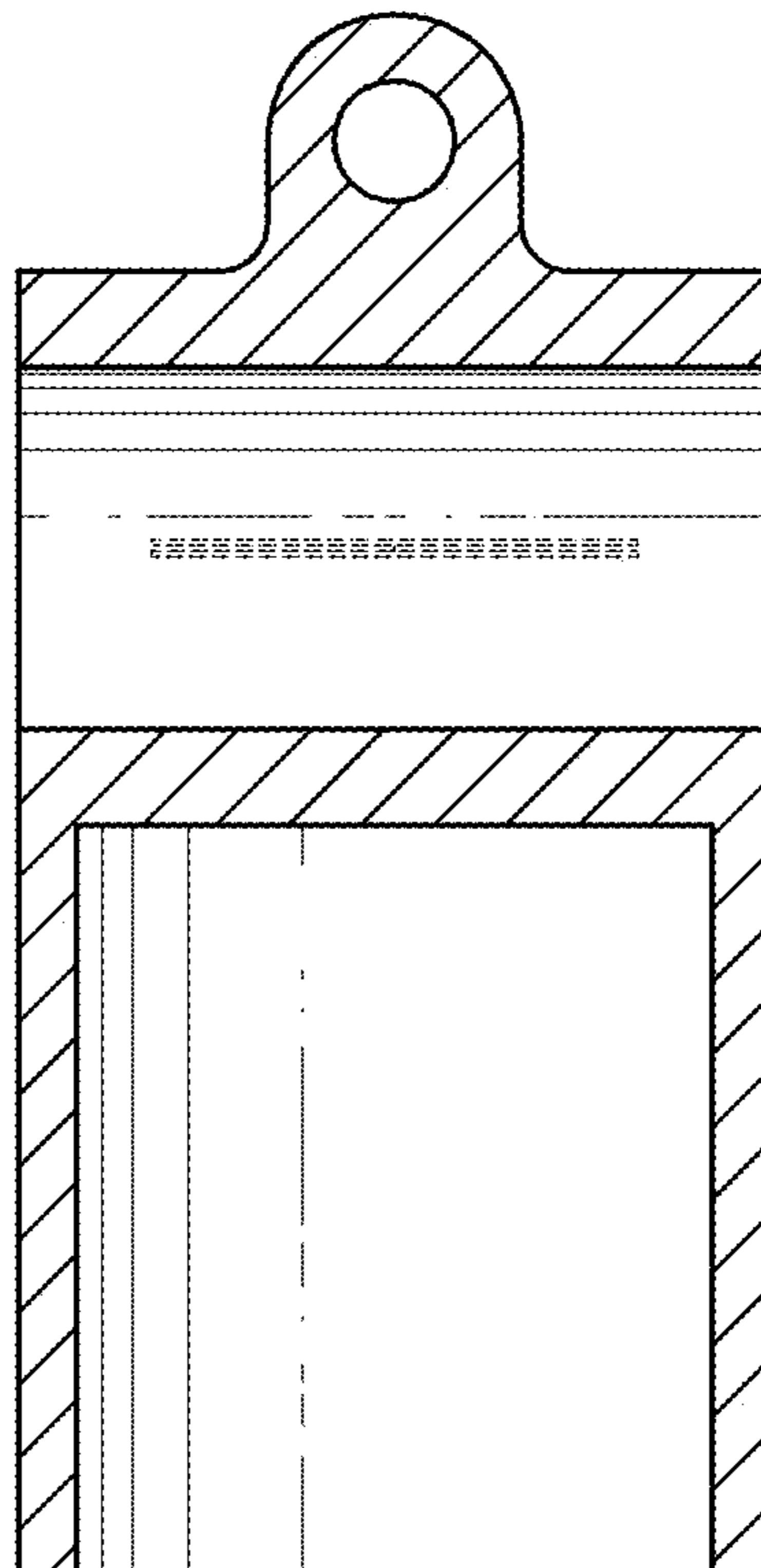


FIG. 9