



US00D921965S

(12) **United States Design Patent**
Derkach

(10) **Patent No.:** **US D921,965 S**

(45) **Date of Patent:** **** Jun. 8, 2021**

(54) **LIGHT POST HOLDER**

(71) Applicant: **Andrew Derkach**, Strathmore (CA)

(72) Inventor: **Andrew Derkach**, Strathmore (CA)

(**) Term: **15 Years**

(21) Appl. No.: **29/596,946**

(22) Filed: **Mar. 13, 2017**

(51) **LOC (13) Cl.** **26-05**

(52) **U.S. Cl.**
USPC **D26/142**

(58) **Field of Classification Search**
USPC D14/230; D17/20; D26/25, 31, 35, 36,
D26/28, 67, 71, 83, 118, 37, 41, 113,
D26/138, 120, 121, 122
CPC F21S 4/00; F21S 4/003; F21S 4/006; F21S
8/00; F21S 8/024; F21S 8/026
See application file for complete search history.

(56) **References Cited**

U.S. PATENT DOCUMENTS

1,723,376	A	10/1927	Rutherford	
3,671,738	A	6/1972	Beachley	
D232,499	S *	8/1974	Martinelli	D6/350
4,295,308	A	10/1981	Korfanta	
5,944,413	A	8/1999	Crookham et al.	
D560,025	S *	1/2008	Shulem	D26/142
D566,977	S *	4/2008	Emge	D6/350
D566,978	S *	4/2008	Gonzalez	D6/350
D570,125	S *	6/2008	Gonzalez	D6/350
D586,574	S *	2/2009	Gomree	D6/350
7,556,752	B1	7/2009	Hicks	
7,731,383	B2	6/2010	Myer	

D640,878	S *	7/2011	Huang	D6/350
D642,329	S *	7/2011	Weiss	D26/142
D648,868	S *	11/2011	Chou	D26/2
D666,012	S *	8/2012	Walker	D6/350
D732,238	S *	6/2015	Kling	D26/142
D744,125	S *	11/2015	Cai	D26/2
D758,633	S *	6/2016	Sooferian	D26/68
D819,260	S *	5/2018	Nankil	D26/142
D825,789	S *	8/2018	Creasman	D26/2
D830,585	S *	10/2018	Grandadam	D26/2
D832,493	S *	10/2018	Murphy	D26/118
2008/0000192	A1	1/2008	McGlinch	
2013/0036679	A1	2/2013	Nyce et al.	
2014/0312529	A1	10/2014	Manthei	
2015/0027073	A1	1/2015	Abbey	

FOREIGN PATENT DOCUMENTS

CN	2233968	8/1996
CN	202658948	7/2012
CN	203907442	4/2014
CN	204328811	10/2014

* cited by examiner

Primary Examiner — Mark A Goodwin

Assistant Examiner — Benjamin M Weeks

(74) *Attorney, Agent, or Firm* — David Guerra

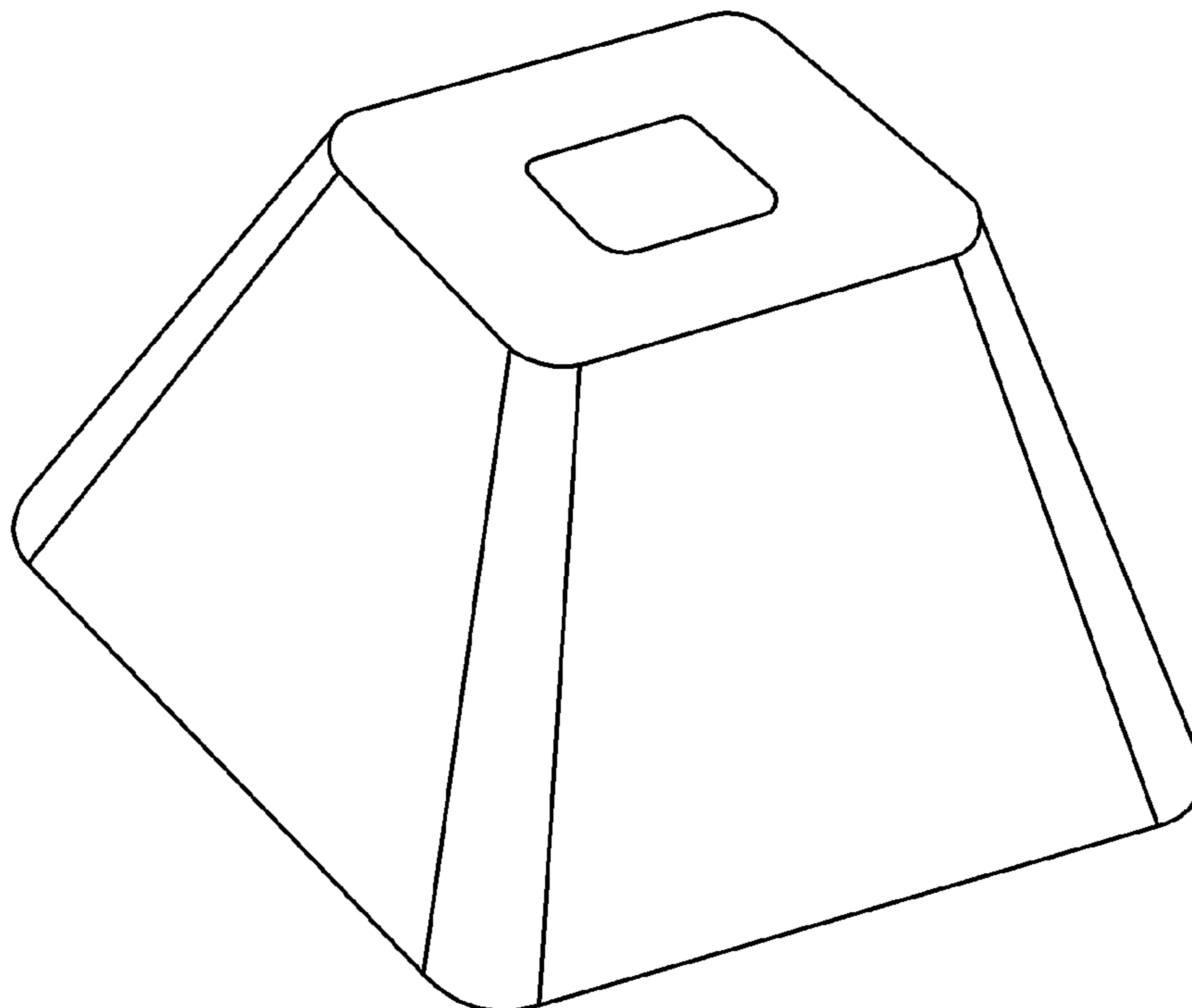
(57) **CLAIM**

The ornamental design for the light post holder, as shown and described.

DESCRIPTION

FIG. 1 is a perspective front view of the light post holder according to the present design; and, FIG. 2 is a top view of the light post holder of FIG. 1.

1 Claim, 1 Drawing Sheet



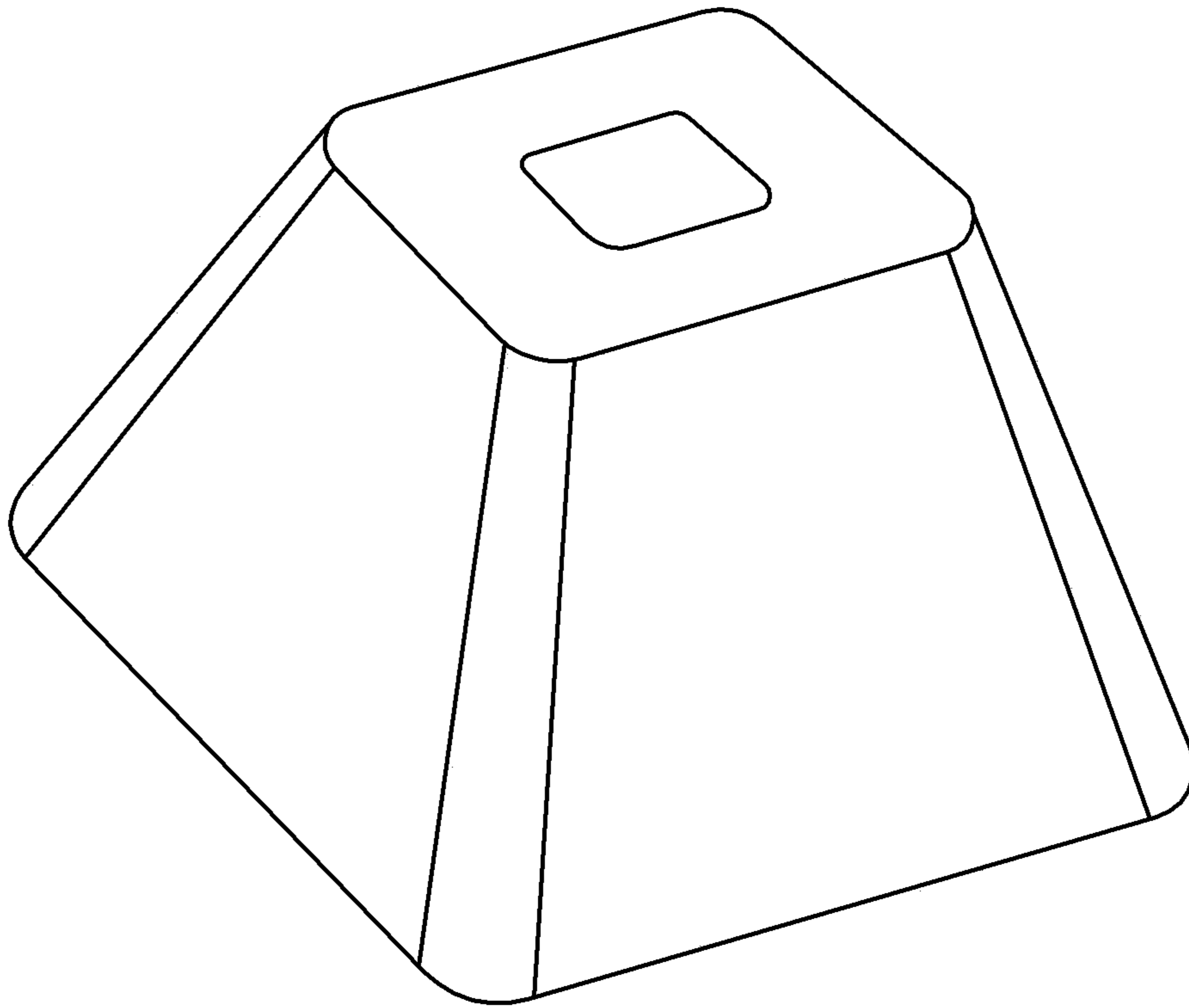


Figure 1

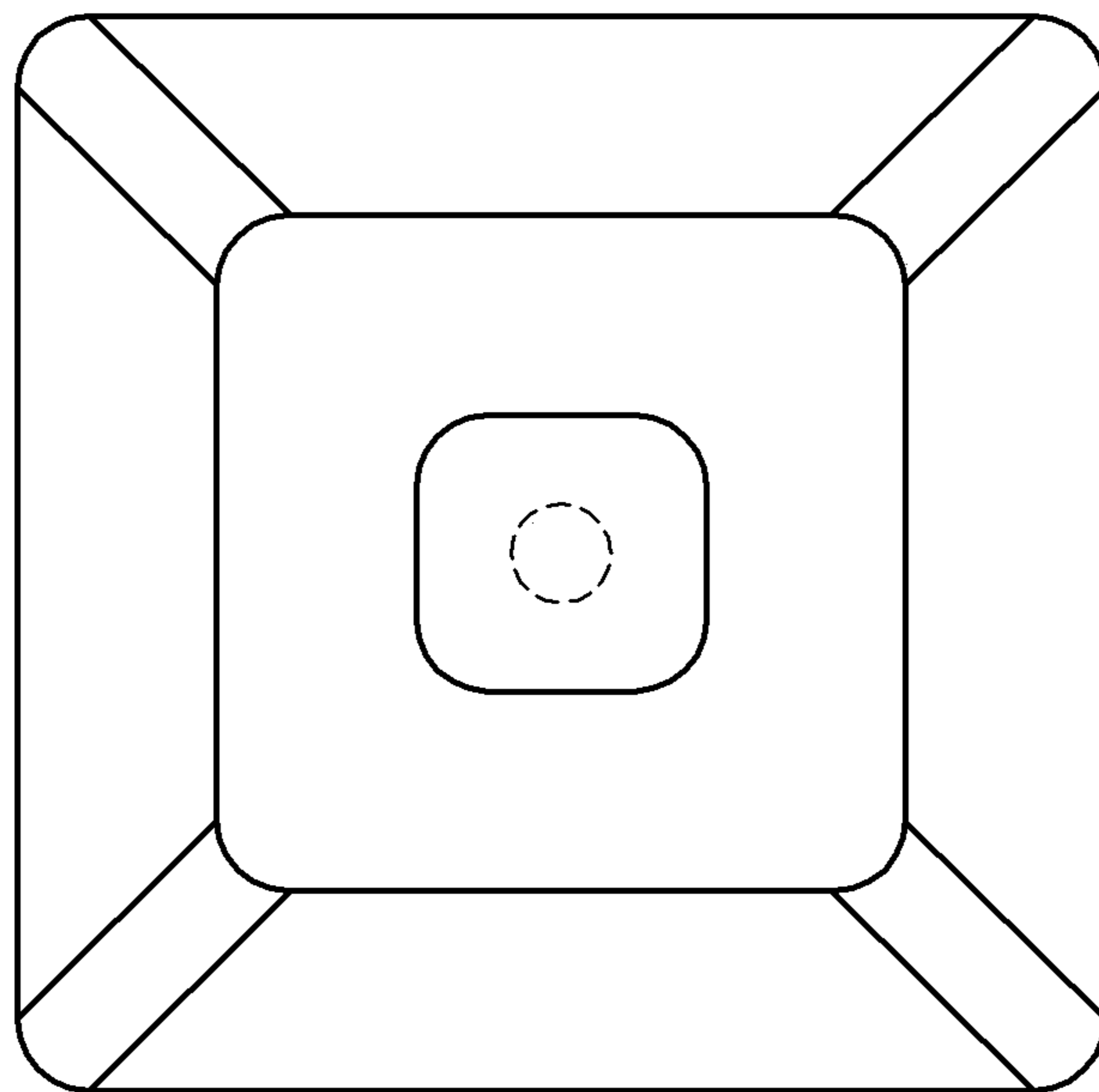


Figure 2