



US00D921964S

(12) **United States Design Patent**
Kawase et al.

(10) **Patent No.:** **US D921,964 S**
(45) **Date of Patent:** **** Jun. 8, 2021**

- (54) **LIGHT FIXTURE**
- (71) Applicant: **MAKITA CORPORATION**, Anjo (JP)
- (72) Inventors: **Tomonori Kawase**, Anjo (JP); **Masao Miwa**, Anjo (JP)
- (73) Assignee: **MAKITA CORPORATION**, Anjo (JP)
- (**) Term: **15 Years**
- (21) Appl. No.: **29/726,983**
- (22) Filed: **Mar. 6, 2020**
- (30) **Foreign Application Priority Data**

D805,671 S * 12/2017 Liping D26/63
 D848,655 S * 5/2019 Fang D26/63
 D848,656 S * 5/2019 Fang D26/63
 D853,613 S * 7/2019 Lien D26/63
 10,378,739 B2 8/2019 Harvey et al.
 D880,048 S * 3/2020 Zhu D26/106

(Continued)

Primary Examiner — Mark A Goodwin
Assistant Examiner — Benjamin M Weeks
 (74) *Attorney, Agent, or Firm* — Global IP Counselors, LLP

(57) **CLAIM**

The ornamental design for a light fixture, as shown and described.

DESCRIPTION

FIG. 1 is a front perspective view of a light fixture in accordance with our new design;
 FIG. 2 is a rear perspective view of the light fixture in accordance with our new design;
 FIG. 3 is a front elevational view of the light fixture in accordance with our new design;
 FIG. 4 is a rear elevational view of the light fixture in accordance with our new design;
 FIG. 5 is a top plan view of the light fixture in accordance with our new design;
 FIG. 6 is a bottom plan view of the light fixture in accordance with our new design;
 FIG. 7 is a right side elevational view of the light fixture in accordance with our new design;
 FIG. 8 is a left side elevational view of the light fixture in accordance with our new design; and,
 FIG. 9 is a front perspective view of the light fixture in accordance with our new design illustrating a state in which a pole is extended.
 The broken line showing of environmental structures in the drawings forms no part of the claimed design.

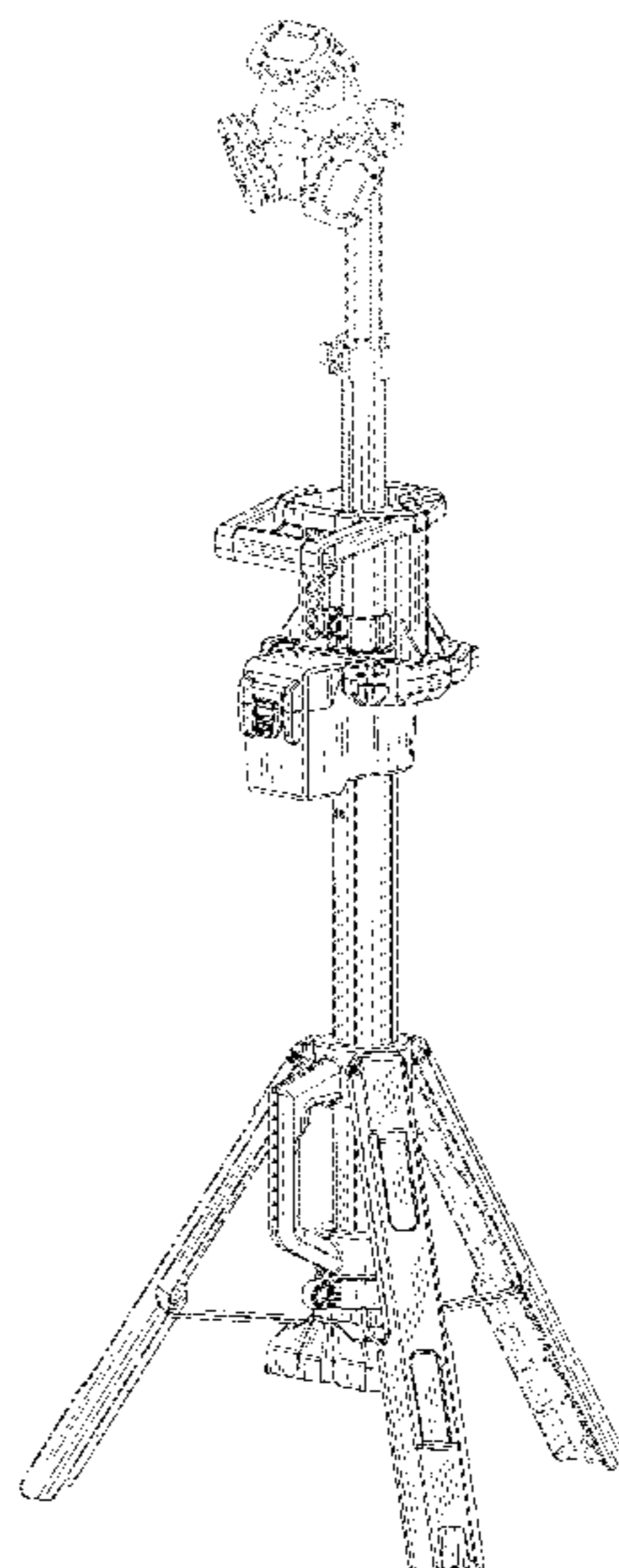
1 Claim, 9 Drawing Sheets

- Sep. 9, 2019 (JP) 2019-020066
- (51) **LOC (13) Cl.** **26-05**
- (52) **U.S. Cl.**
USPC **D26/138**; D26/111
- (58) **Field of Classification Search**
USPC D26/76, 78, 79, 80, 81, 82, 83, 85, 86,
D26/88, 90, 111, 113, 118, 119, 120, 121,
D26/122, 138, 139, 140, 141, 142
CPC F21S 2/00; F21S 4/00; F21S 4/003; F21S
4/005; F21S 4/006; F21S 4/007; F21S
4/008; F21S 6/00; F21S 8/00; F21S
8/024; F21S 8/026; F21S 8/031; F21S
8/033; F21S 8/035-037; F21S 8/04; F21S
8/043; F21S 8/063
See application file for complete search history.

(56) **References Cited**

U.S. PATENT DOCUMENTS

- D381,114 S * 7/1997 Xu D26/140
- D420,757 S * 2/2000 Peterson D16/244
- D509,014 S * 8/2005 Bonneville D16/244
- D623,331 S * 9/2010 Rotwitt D26/63
- D759,871 S * 6/2016 Consuegra D26/63
- D770,657 S * 11/2016 Fang D26/63



(56)

References Cited

U.S. PATENT DOCUMENTS

D886,360 S	*	6/2020	Xu	D26/106
D890,982 S	*	7/2020	Vartan	F21V 21/08
					D26/138
D899,491 S	*	10/2020	Chen	D16/244
D908,274 S	*	1/2021	Wang	D26/138

* cited by examiner

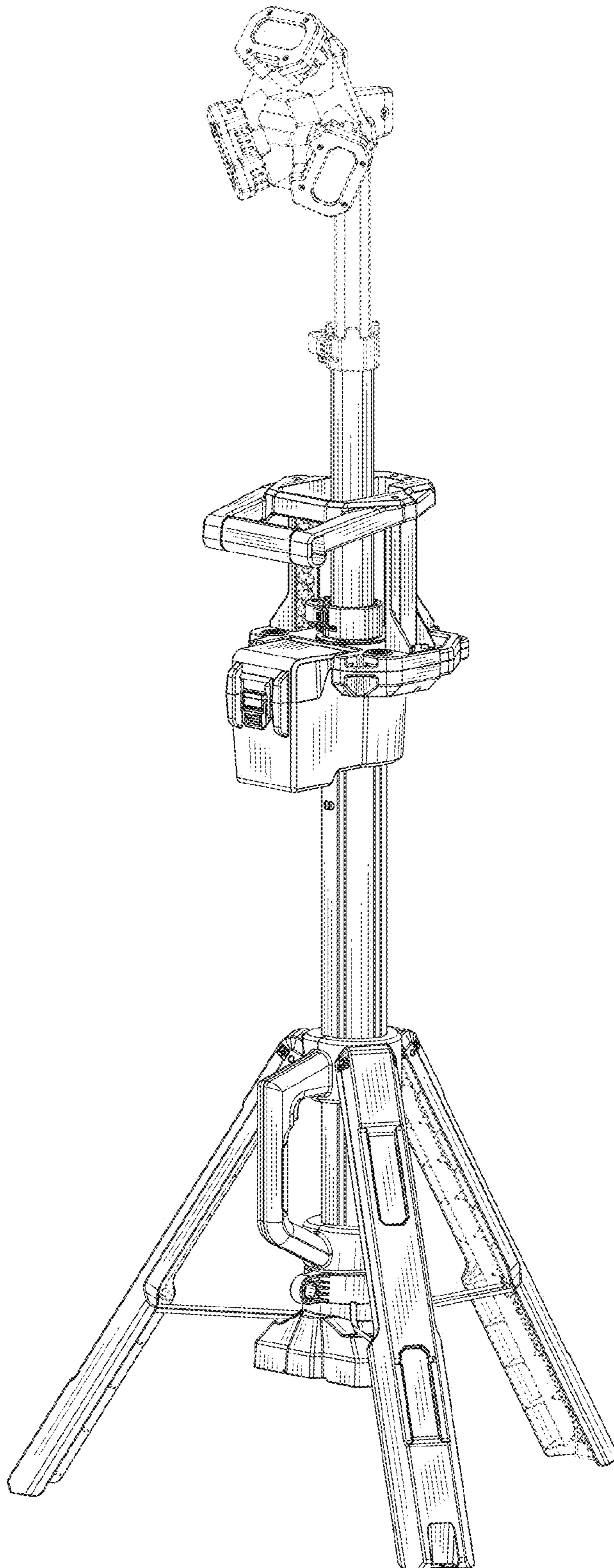


FIG. 1

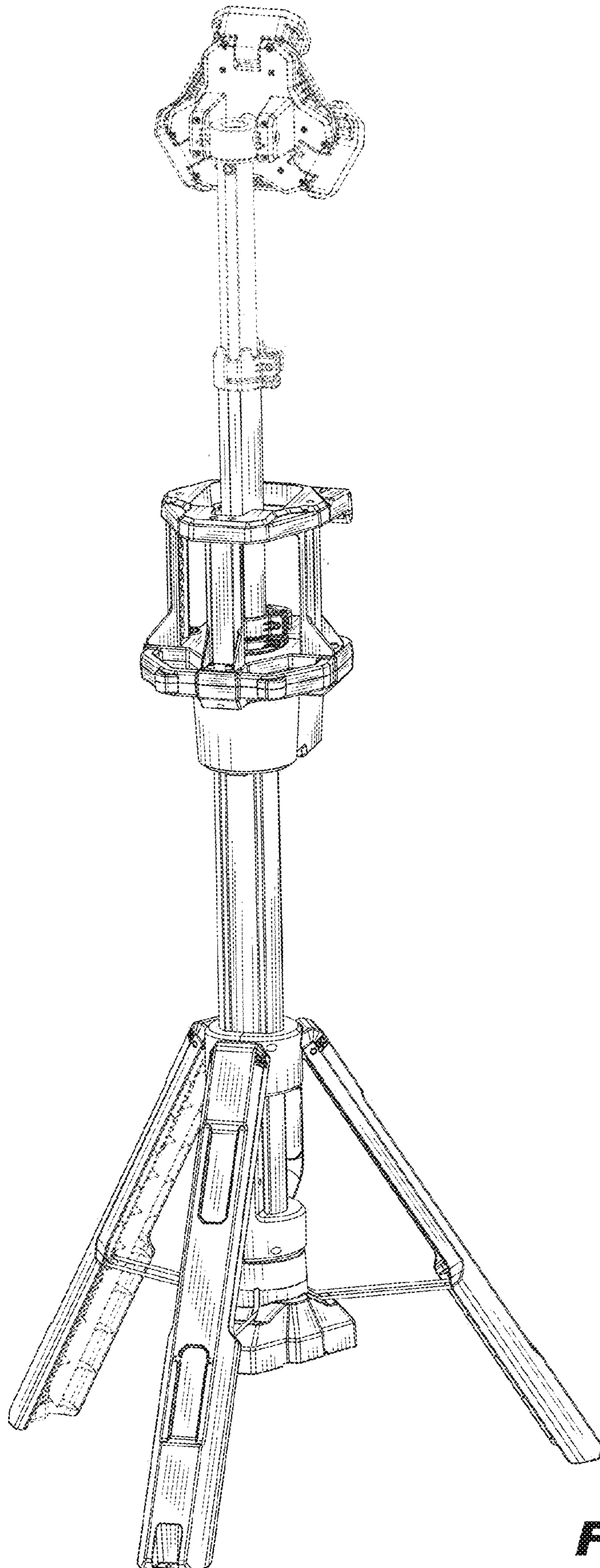


FIG. 2

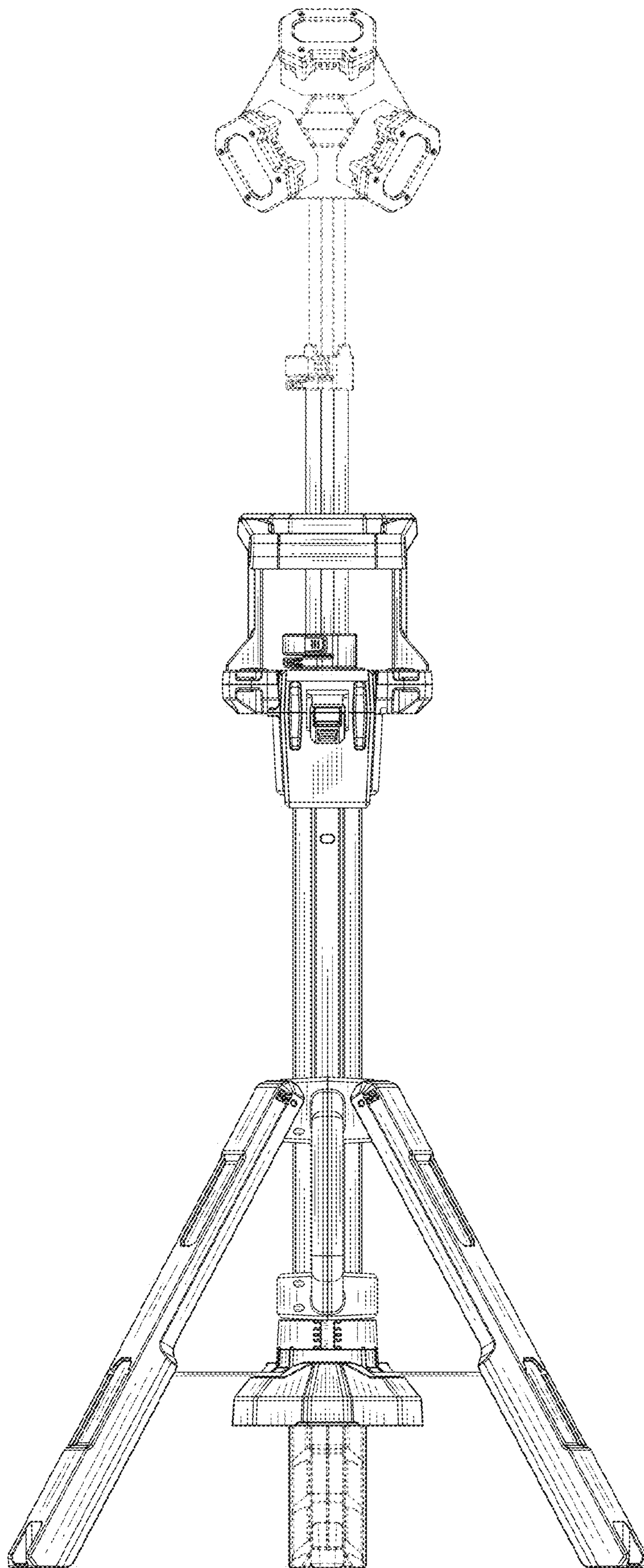


FIG. 3

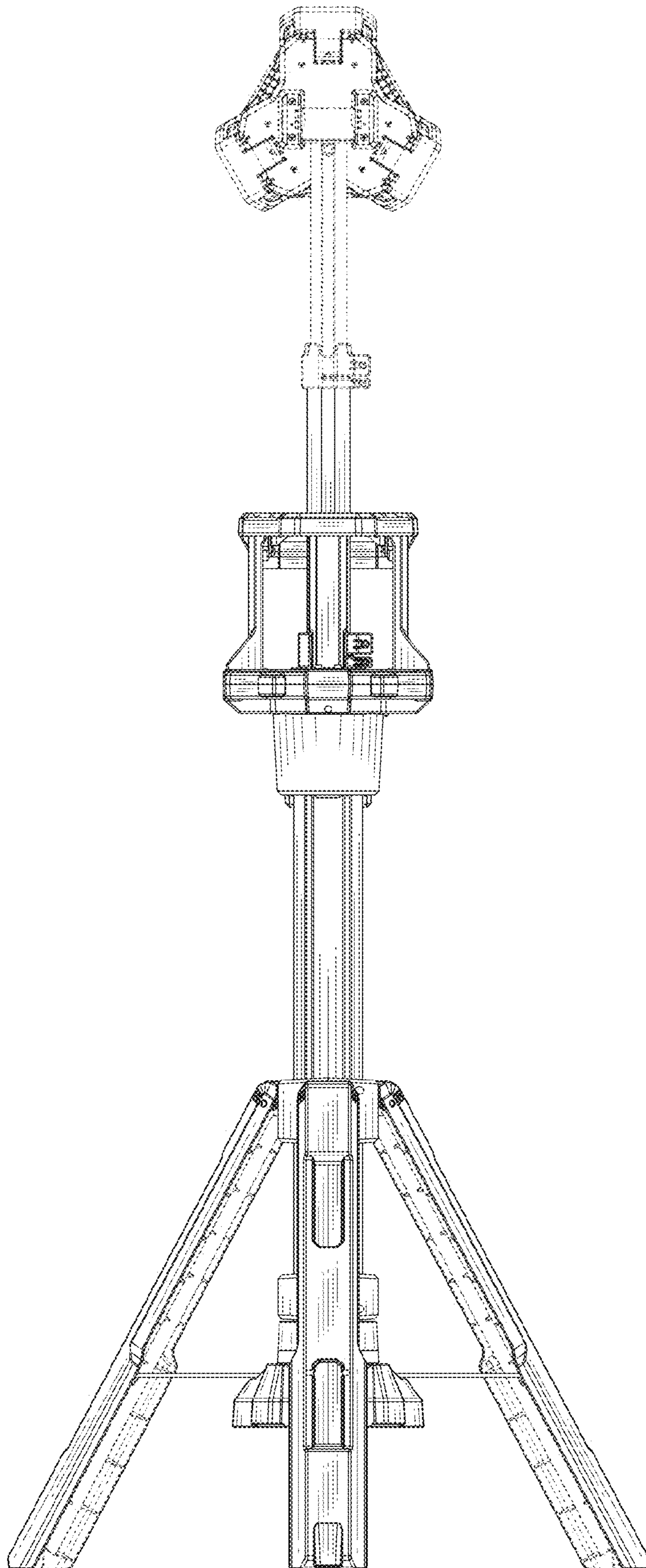


FIG. 4

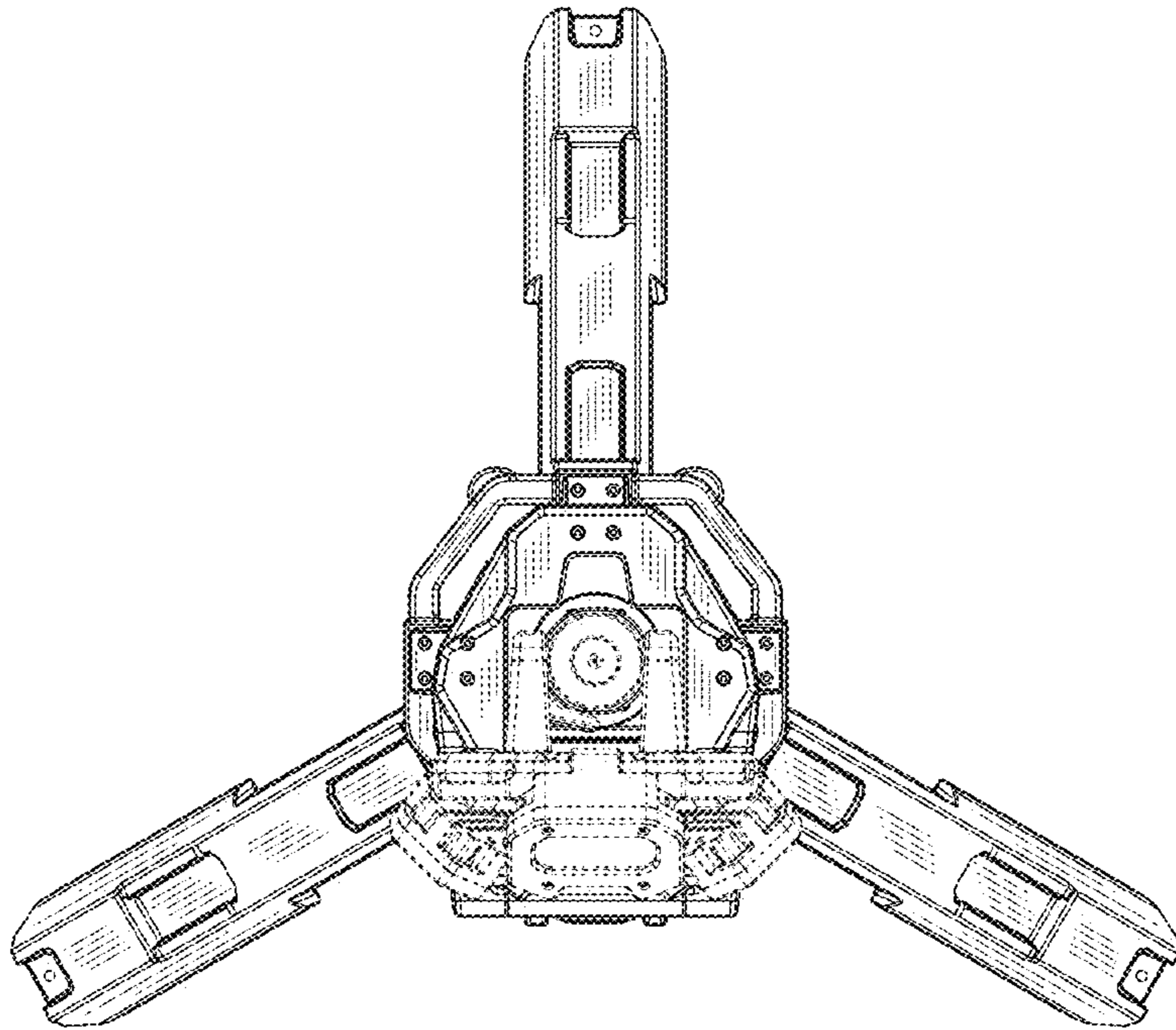


FIG. 5

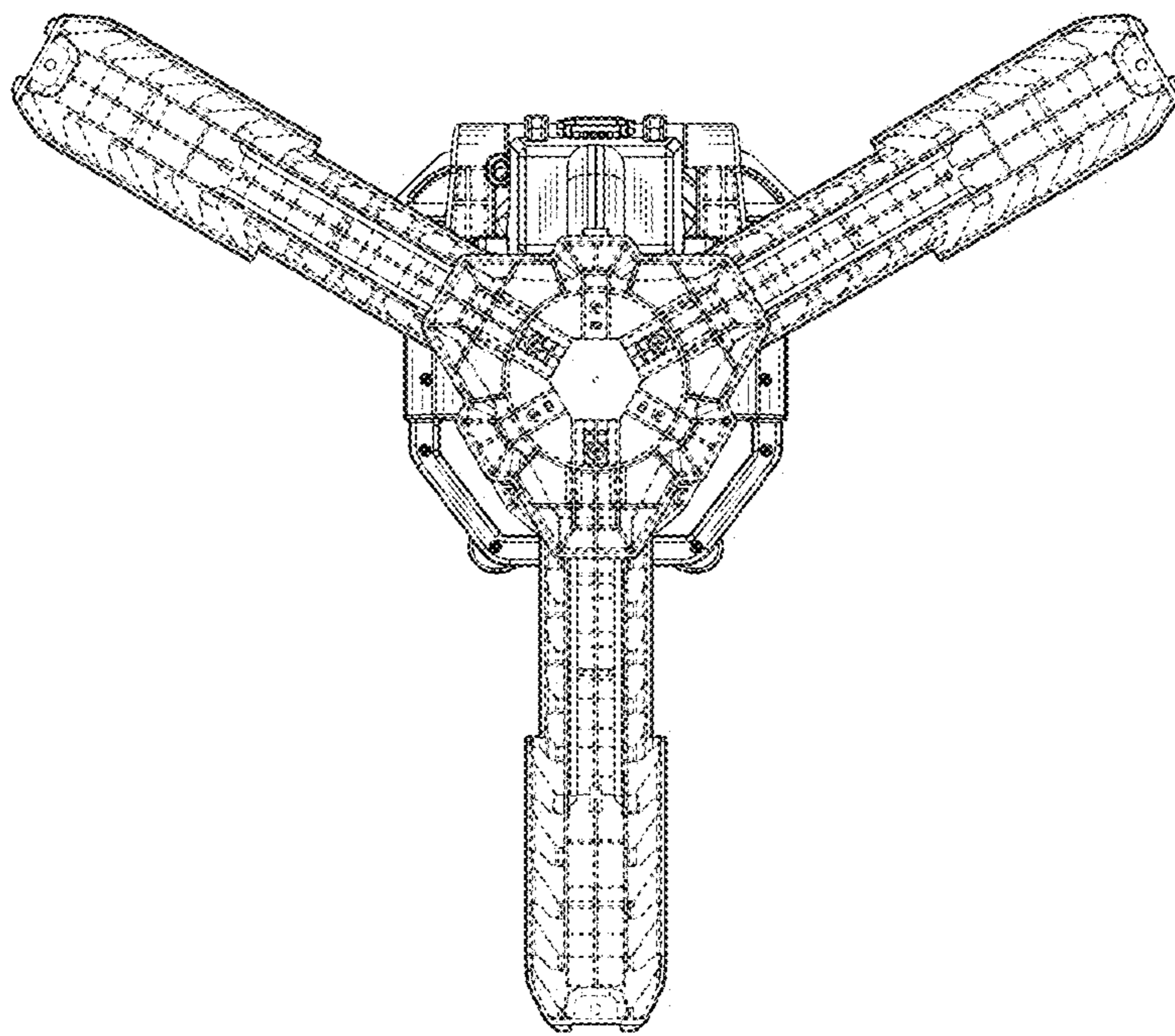


FIG. 6

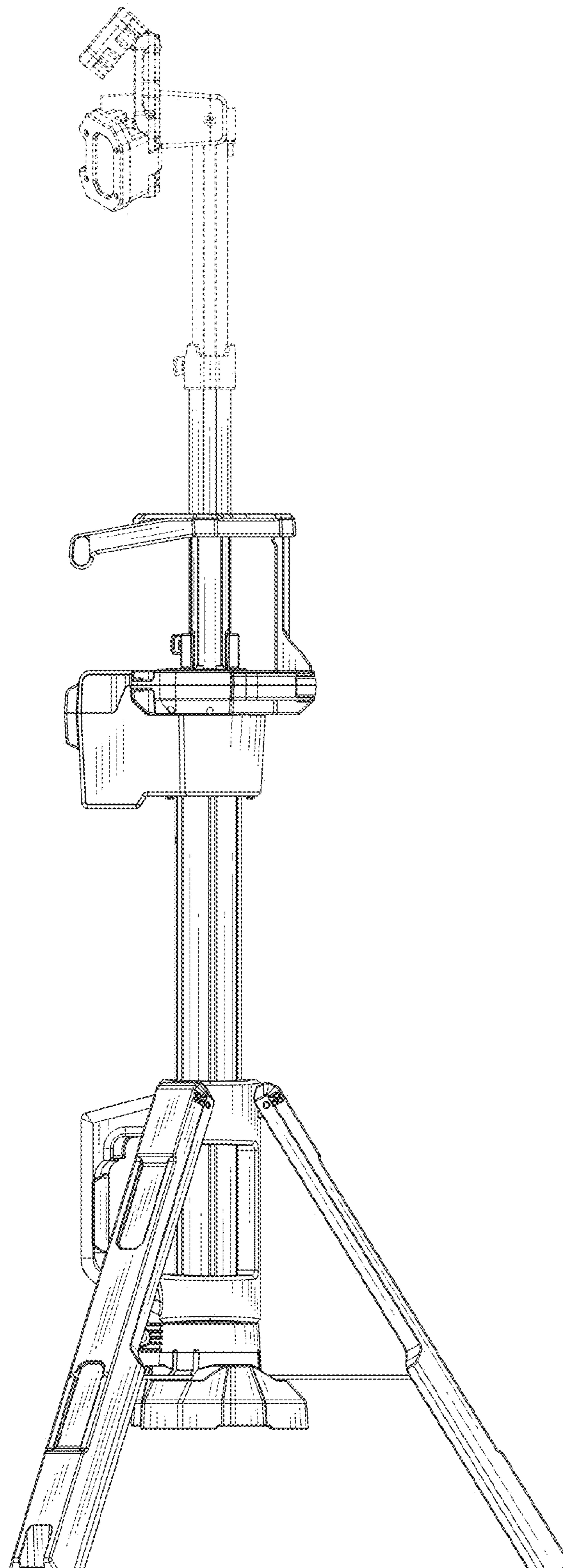


FIG. 7

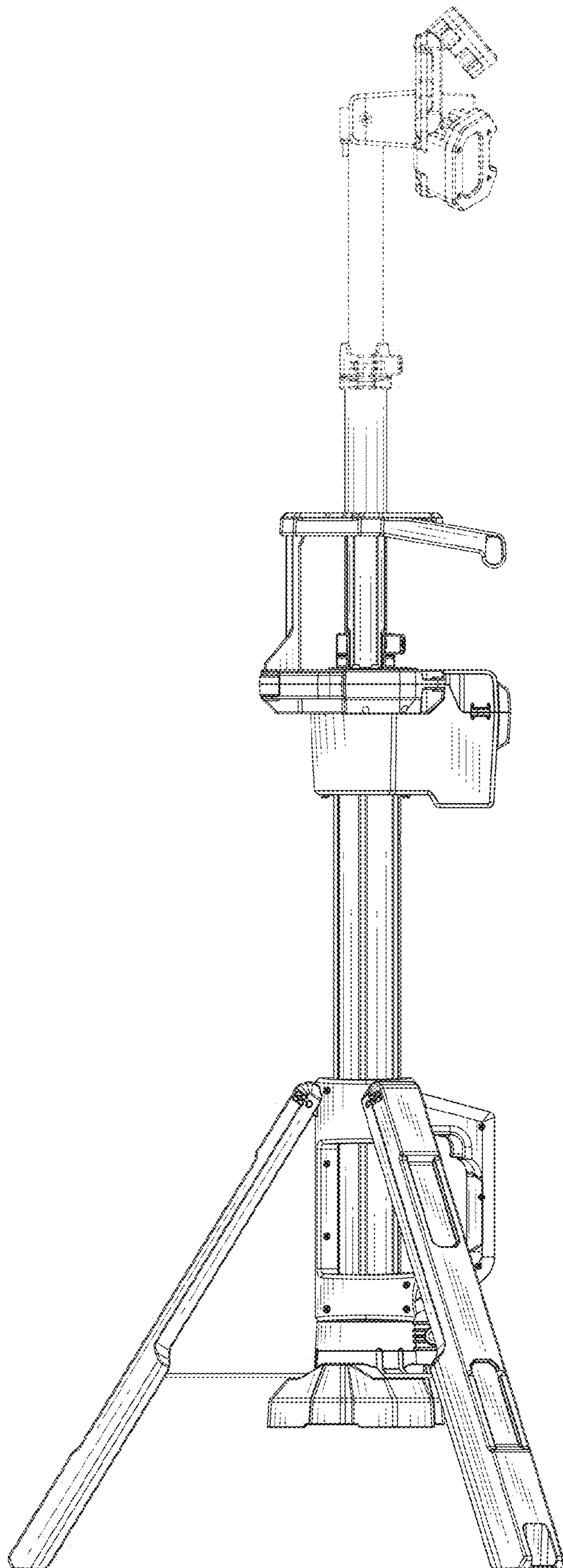


FIG. 8

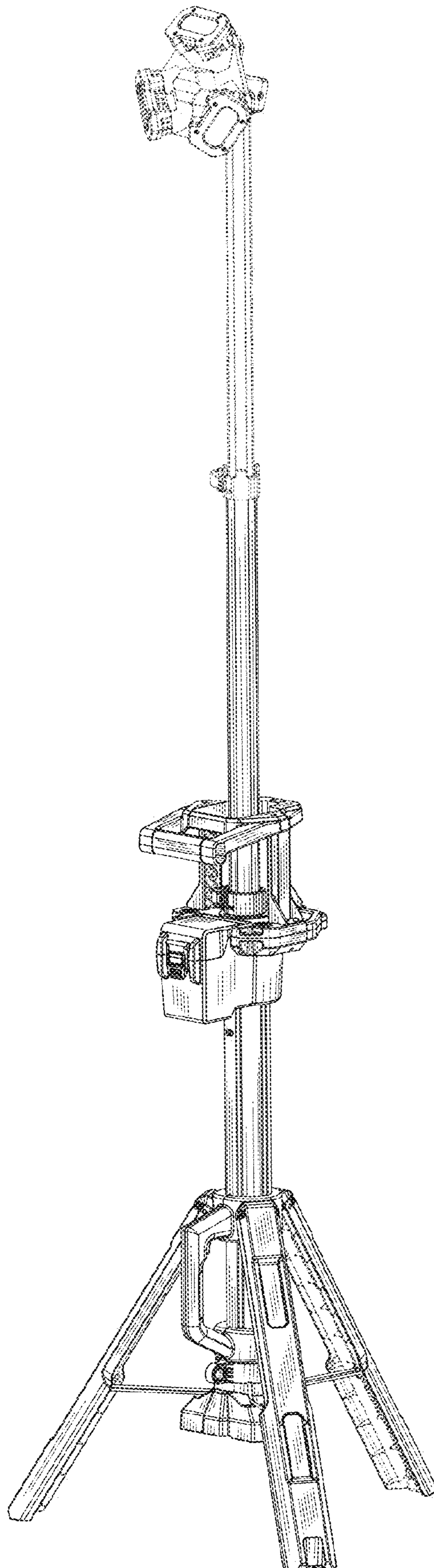


FIG. 9