



US00D921962S

(12) **United States Design Patent** (10) **Patent No.:** **US D921,962 S**
Acker (45) **Date of Patent:** **** Jun. 8, 2021**

(54) **FLASHLIGHT WITH RECEPTACLE FOR LATCH**

(74) *Attorney, Agent, or Firm* — Ryan Kromholz & Manion, S.C.

(71) Applicant: **RMA Design LLC**, Delafield, WI (US)

(57) **CLAIM**

(72) Inventor: **Richard M. Acker**, Delafield, WI (US)

The ornamental design for a flashlight with receptacle for latch, as shown and described.

(73) Assignee: **RMA DESIGN LLC**, Delafield, WI (US)

DESCRIPTION

(**) Term: **15 Years**

FIG. 1 is a top perspective view of a flashlight with receptacle for latch;
FIG. 2 is a bottom perspective view of my invention;
FIG. 3 is right side elevation view of my invention;
FIG. 4 is a left side elevation view of my invention;
FIG. 5 is a top plan view of my invention;
FIG. 6 is a bottom plan view of my invention;
FIG. 7 is a front elevation view of my invention;
FIG. 8 is a rear elevation view of my invention;
FIG. 9 is a top perspective view of a second embodiment of a flashlight with receptacle for latch;
FIG. 10 is a bottom perspective view of a second embodiment of my invention;
FIG. 11 is a right side elevation view of a second embodiment of my invention;
FIG. 12 is a left side elevation view of a second embodiment of my invention;
FIG. 13 is a top plan view of a second embodiment of my invention;
FIG. 14 is a bottom plan view of a second embodiment of my invention;
FIG. 15 is a front elevation view of a second embodiment of my invention; and,
FIG. 16 is a rear elevation view of a second embodiment of my invention.
The broken line showing of a flashlight, portion of a flashlight or mounting structure in the drawings forms no part of the claimed design.
The break lines in the drawings indicate that the appearance of any portion of the flashlight with receptacle for latch between the break lines forms no part of the claimed design.

(21) Appl. No.: **29/634,145**

(22) Filed: **Jan. 18, 2018**

Related U.S. Application Data

(62) Division of application No. 29/560,382, filed on Apr. 6, 2016, now Pat. No. Des. 812,288.

(51) **LOC (13) Cl.** **26-05**

(52) **U.S. Cl.**
USPC **D26/138**

(58) **Field of Classification Search**

USPC D26/37, 93, 111, 113, 118, 119, 120, D26/121, 122, 138, 139, 140, 141, 142, D26/152
CPC F21S 2/00; F21S 4/00; F21S 4/003; F21S 4/005; F21S 4/006; F21S 4/007; F21S 4/008; F21S 6/00; F21S 8/00; F21S 8/024; F21S 8/026; F21S 8/031; F21S 8/033; F21S 8/035-037; F21S 8/04; F21S 8/043; F21S 8/063
See application file for complete search history.

(56) **References Cited**

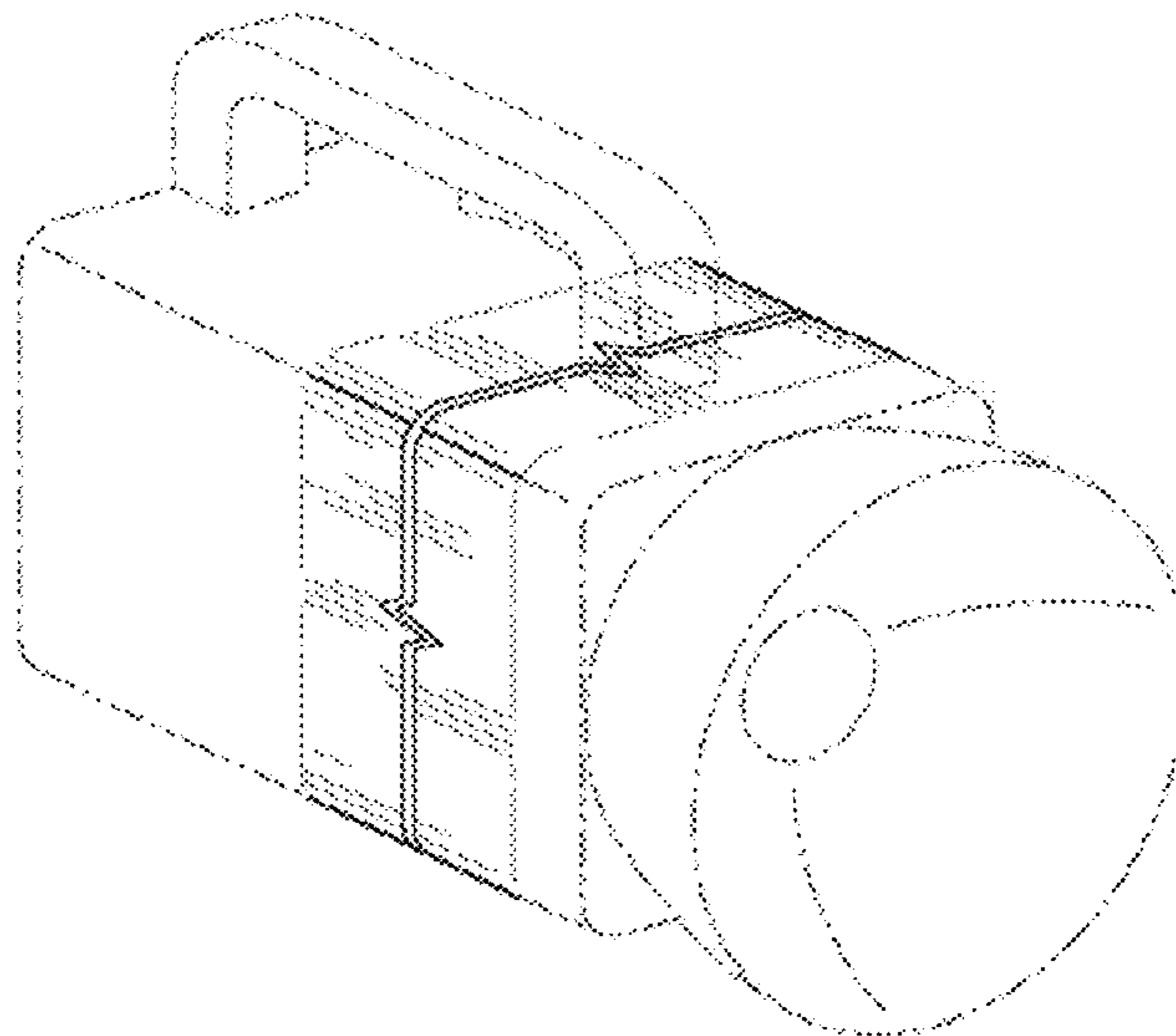
U.S. PATENT DOCUMENTS

3,612,853 A 10/1971 Aoki
4,528,622 A 7/1985 Bacevius

(Continued)

Primary Examiner — Natasha Vujcic

1 Claim, 4 Drawing Sheets



(56)

References Cited

U.S. PATENT DOCUMENTS

4,617,561 A 10/1986 Brown
 4,711,107 A 12/1987 Drane
 D306,553 S 3/1990 Rumpel
 D321,124 S 10/1991 Gary
 D321,125 S 10/1991 Gary
 D322,211 S 12/1991 Gary
 D327,214 S 6/1992 Stuart
 5,249,108 A 9/1993 Gary
 5,460,346 A 10/1995 Hirsch
 D369,957 S 5/1996 Blanton
 D375,453 S 11/1996 Fleck
 D393,098 S 3/1998 Adams
 5,884,992 A 3/1999 Taylor et al.
 5,911,497 A 6/1999 Mule
 6,190,200 B1 2/2001 Burwell
 6,206,543 B1 3/2001 Henry
 6,669,353 B2 12/2003 Kung
 6,837,599 B2 1/2005 Liaw et al.
 6,857,756 B2 2/2005 Reiff et al.
 D533,528 S * 12/2006 Krieger D26/38
 7,217,003 B2 5/2007 Parsons

D548,385 S * 8/2007 Sharrah D26/51
 7,434,969 B2 10/2008 Ford et al.
 7,651,063 B2 1/2010 Jensen
 D621,977 S 8/2010 Lusi
 D625,441 S 10/2010 Lusi
 D643,138 S * 8/2011 Kawase D26/37
 8,113,475 B2 2/2012 Whittemore et al.
 8,132,764 B2 3/2012 Kuipers
 8,226,281 B2 7/2012 Wei
 D668,379 S 10/2012 Storey
 8,328,384 B2 12/2012 Wang
 D673,709 S * 1/2013 Sharrah D26/60
 8,616,722 B2 12/2013 Duerr et al.
 D705,040 S 5/2014 Konrad
 D711,041 S 8/2014 Cortez-Rucker
 D752,273 S * 3/2016 Pratt D26/138
 D771,863 S 11/2016 Ellis
 D812,178 S * 3/2018 Galli D22/108
 D870,956 S * 12/2019 Mier-Langner D26/138
 D898,260 S * 10/2020 Worman D26/60
 D907,267 S * 1/2021 Worman D26/60
 D907,268 S * 1/2021 Worman D26/60
 D907,269 S * 1/2021 Worman D26/60
 D907,270 S * 1/2021 Worman D26/60

* cited by examiner

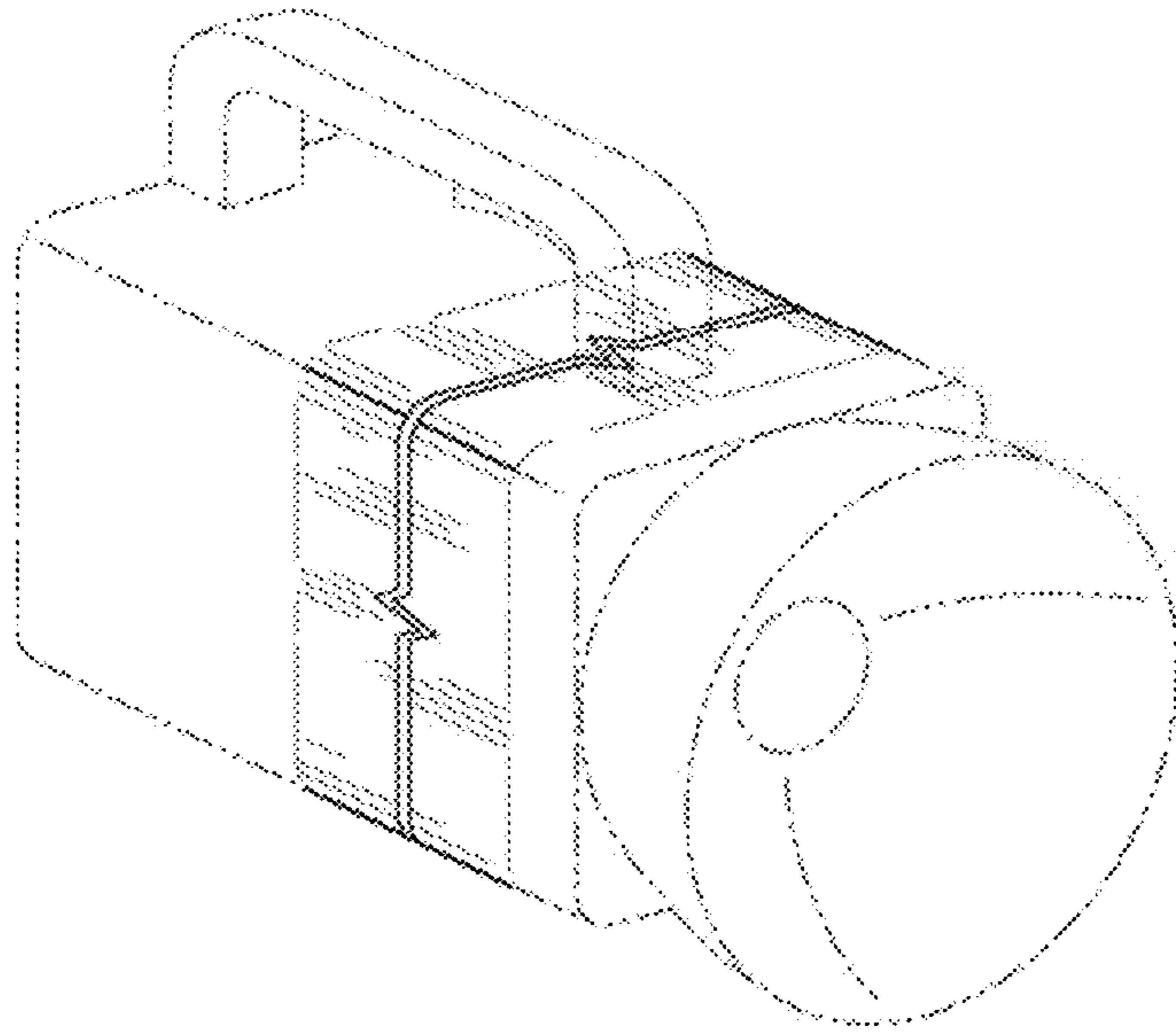


Fig. 1

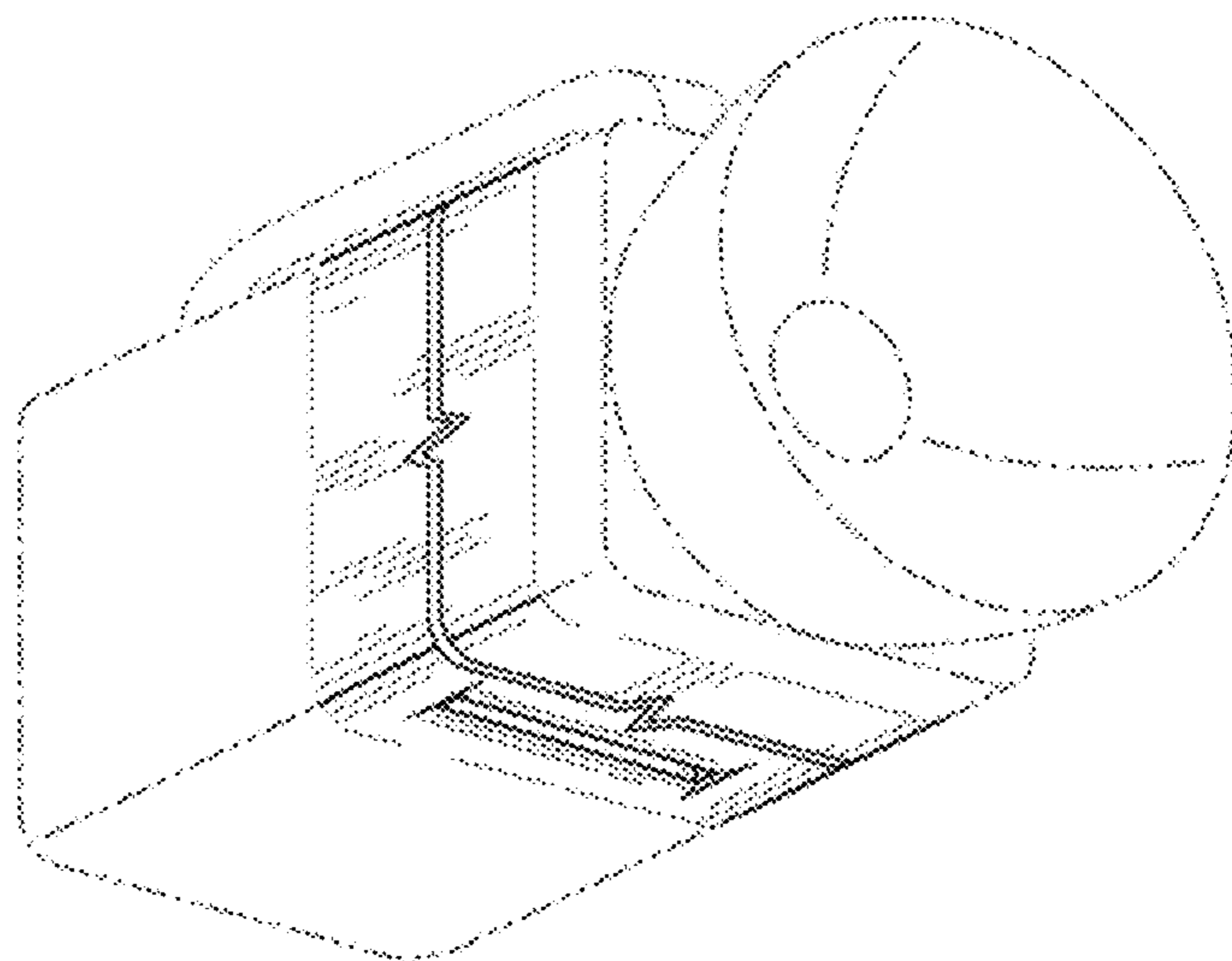


Fig. 2

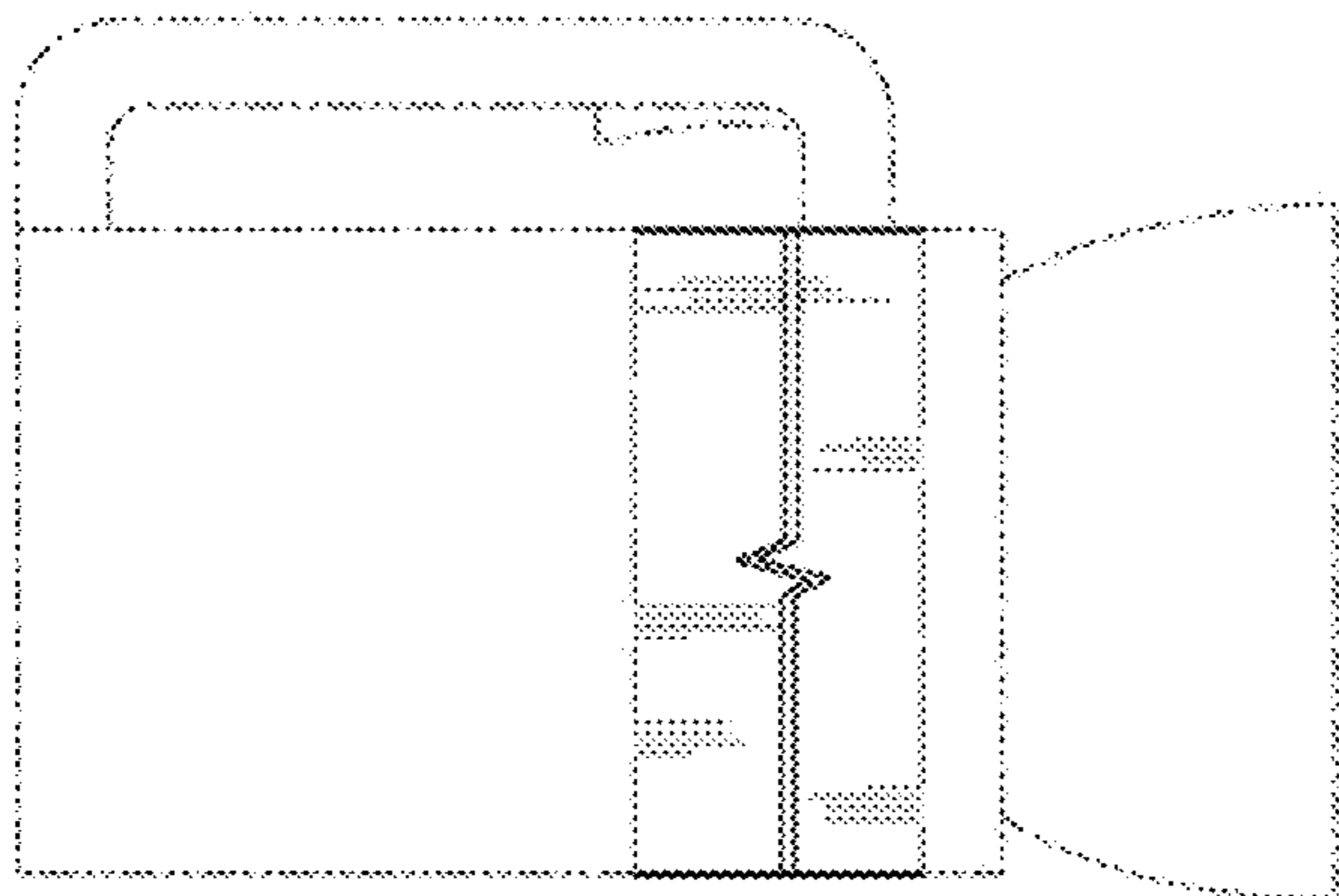


Fig. 3

Fig. 4

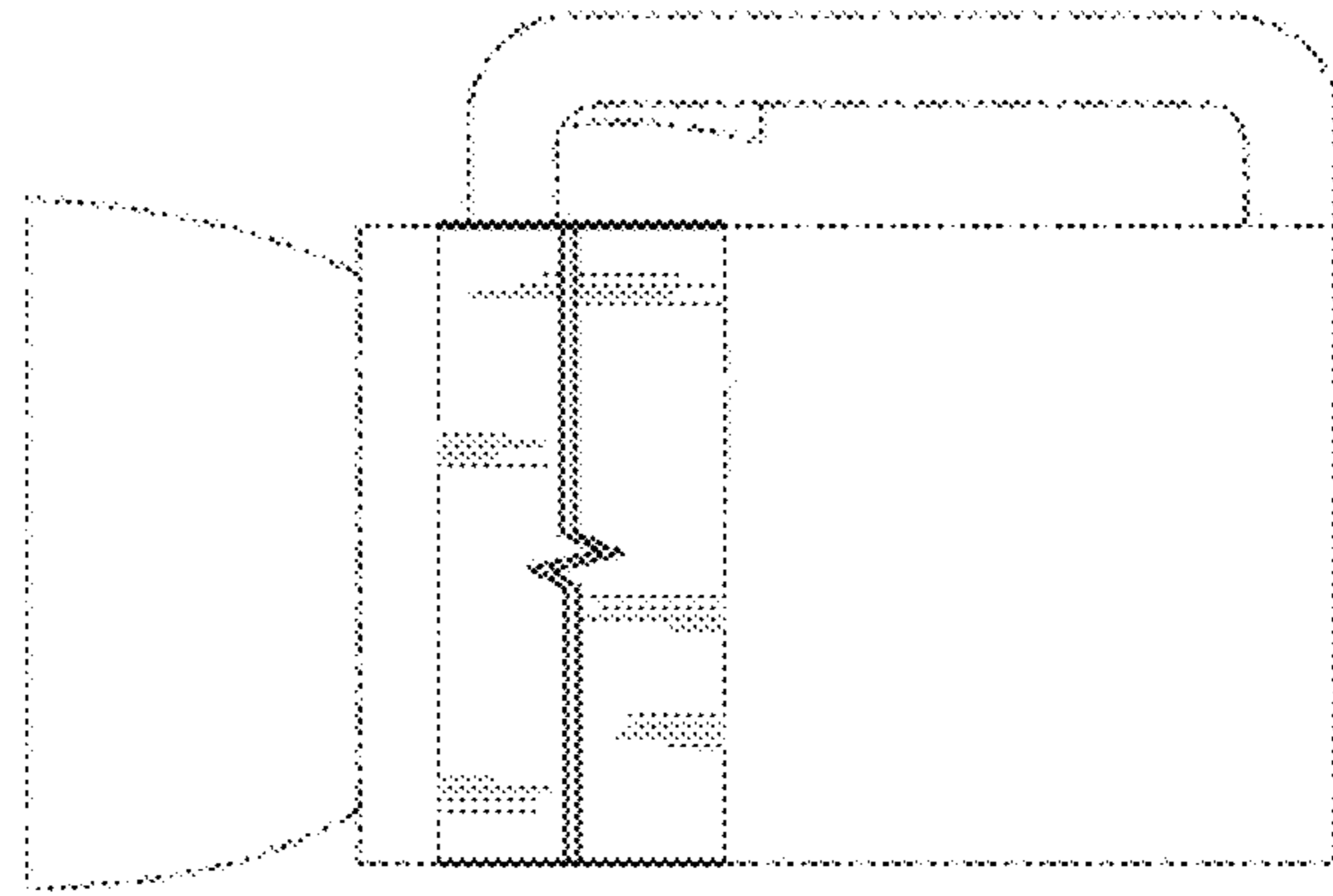


Fig. 5

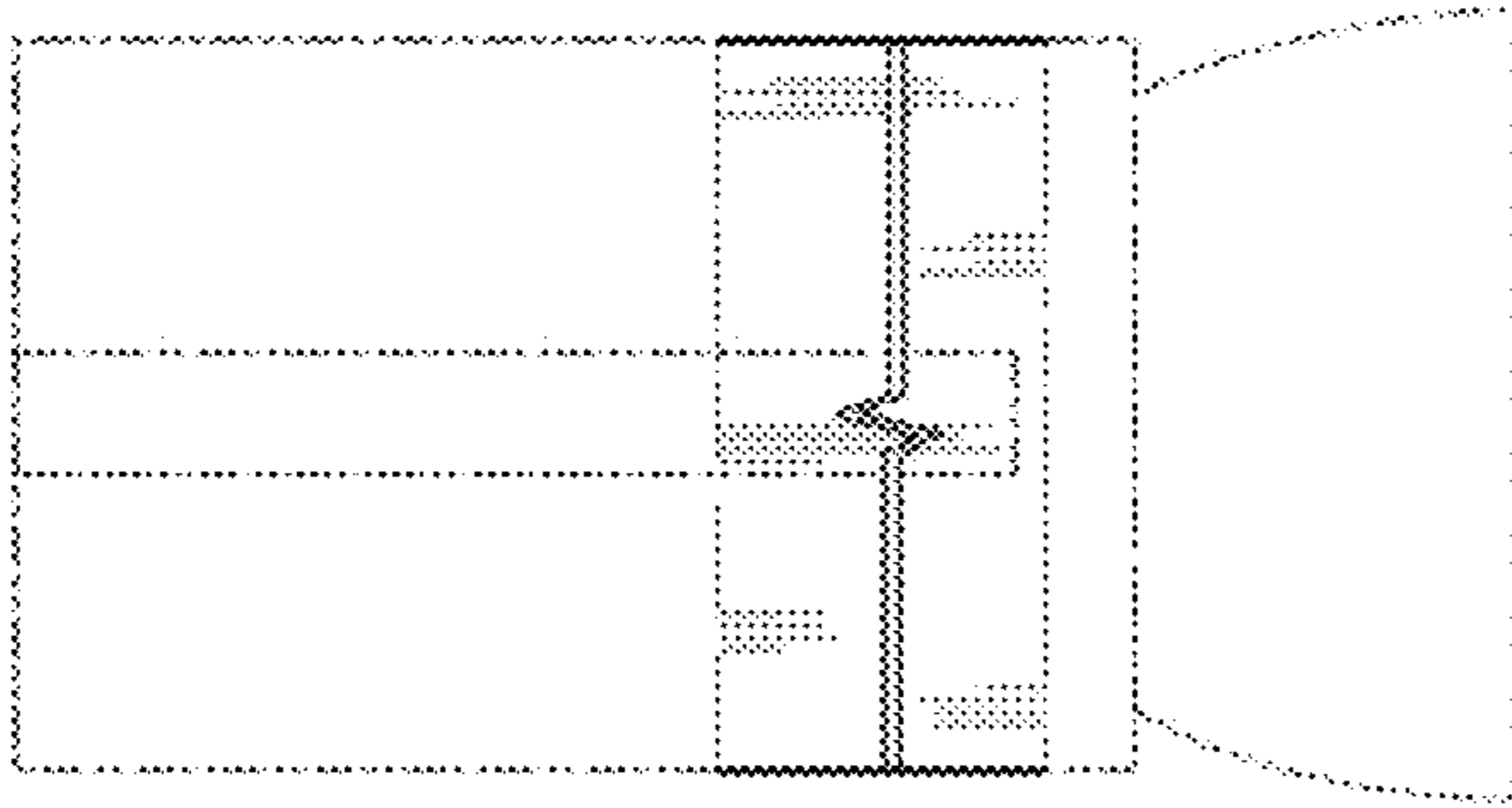


Fig. 6

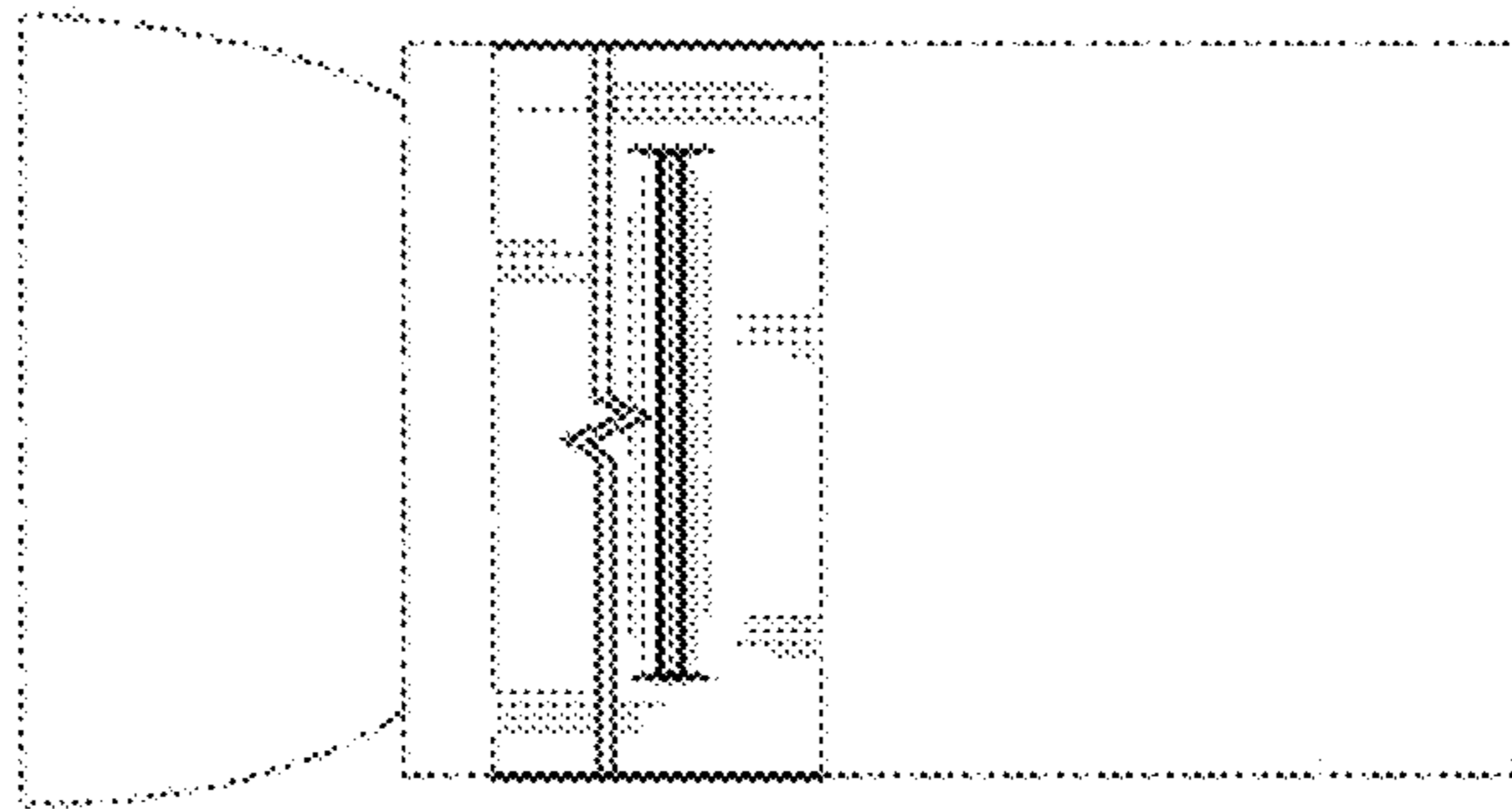


Fig. 7

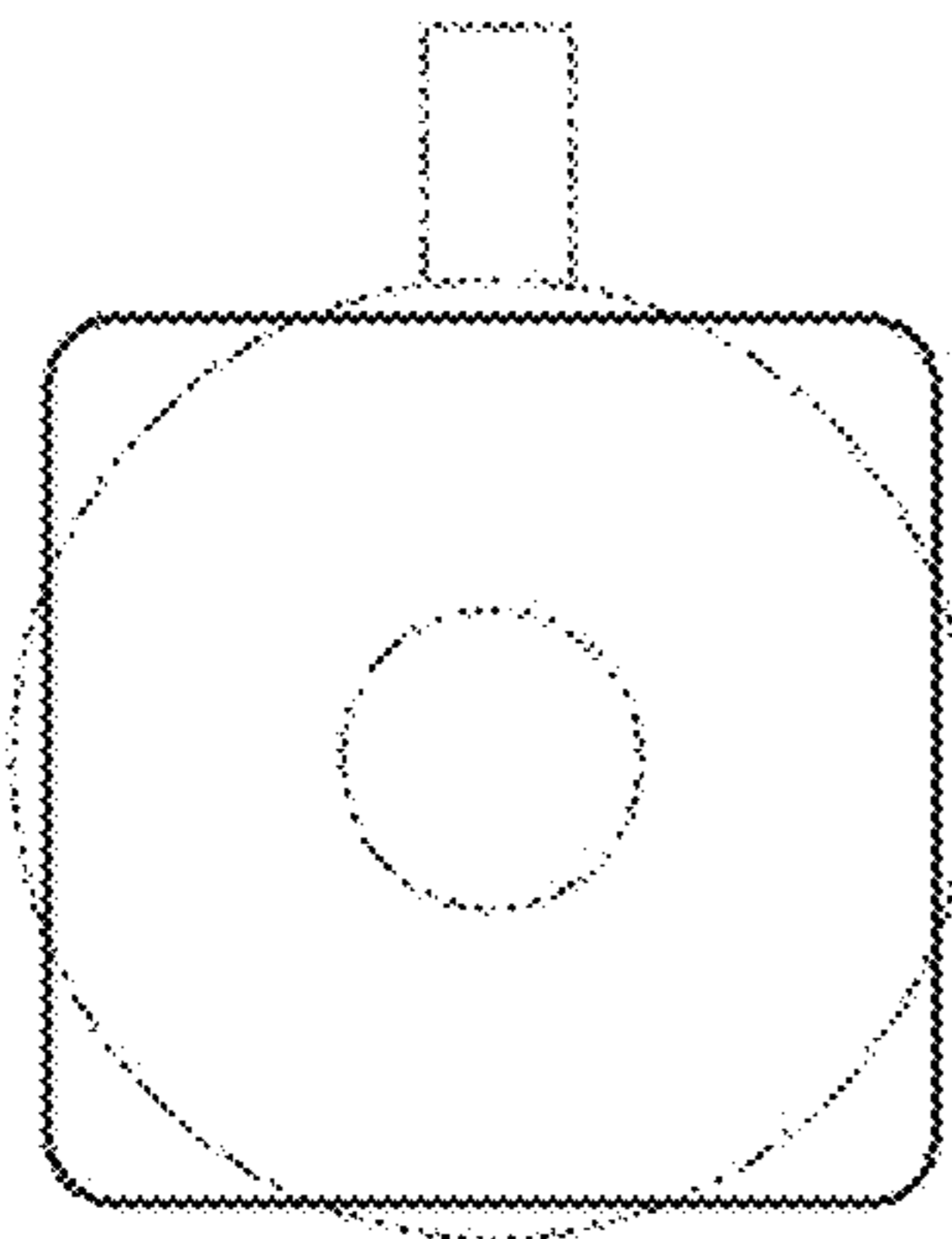
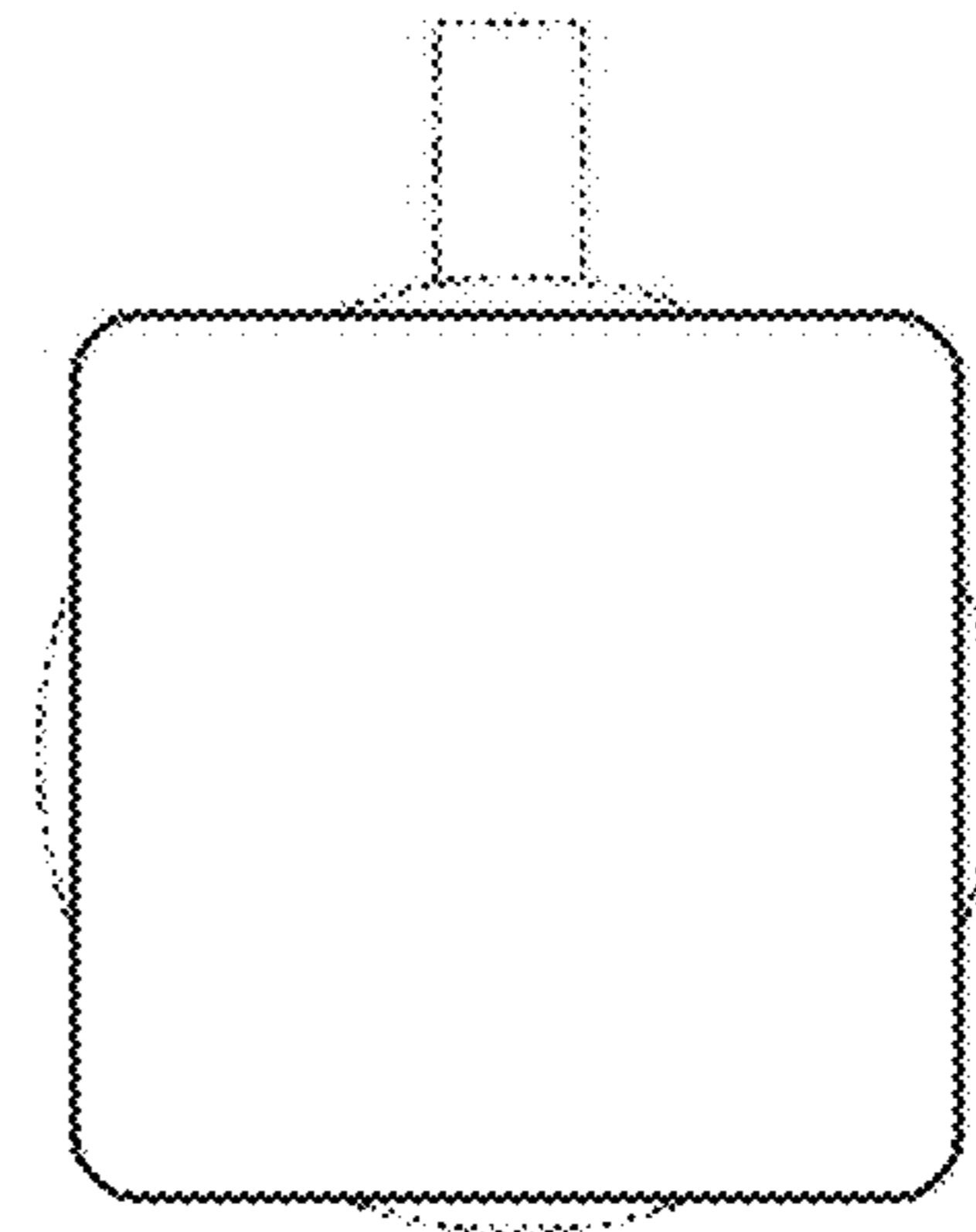


Fig. 8



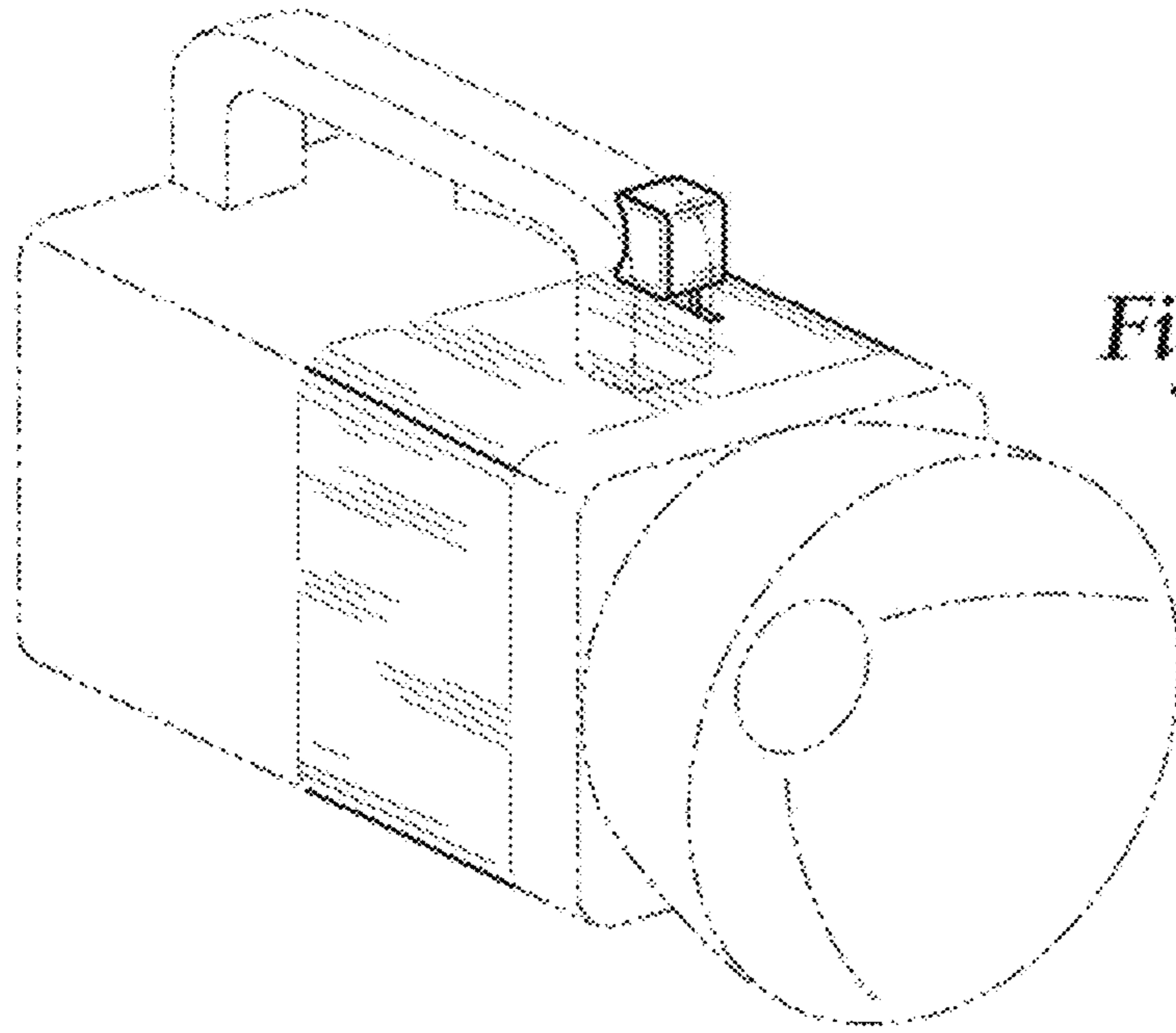


Fig. 9

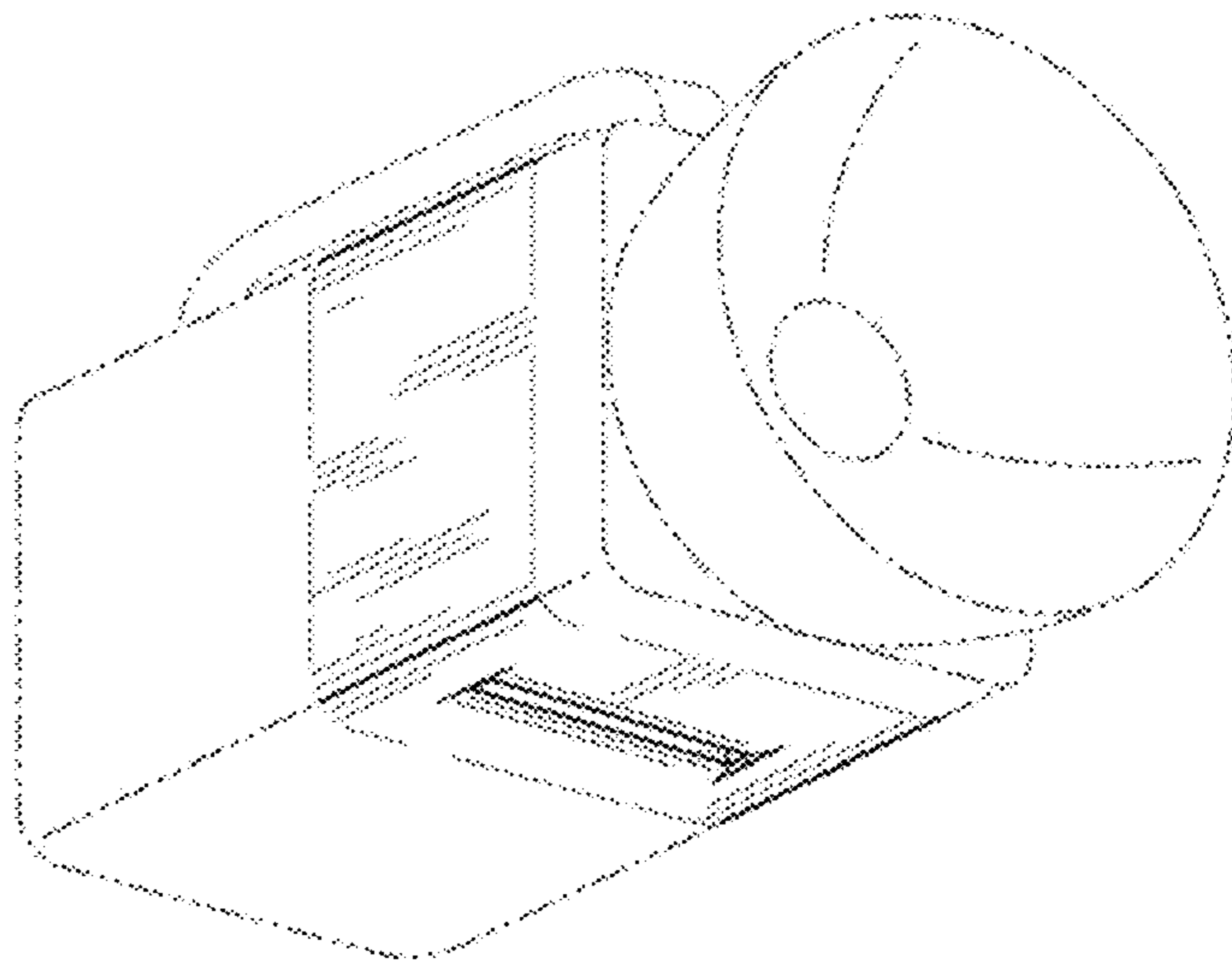


Fig. 10

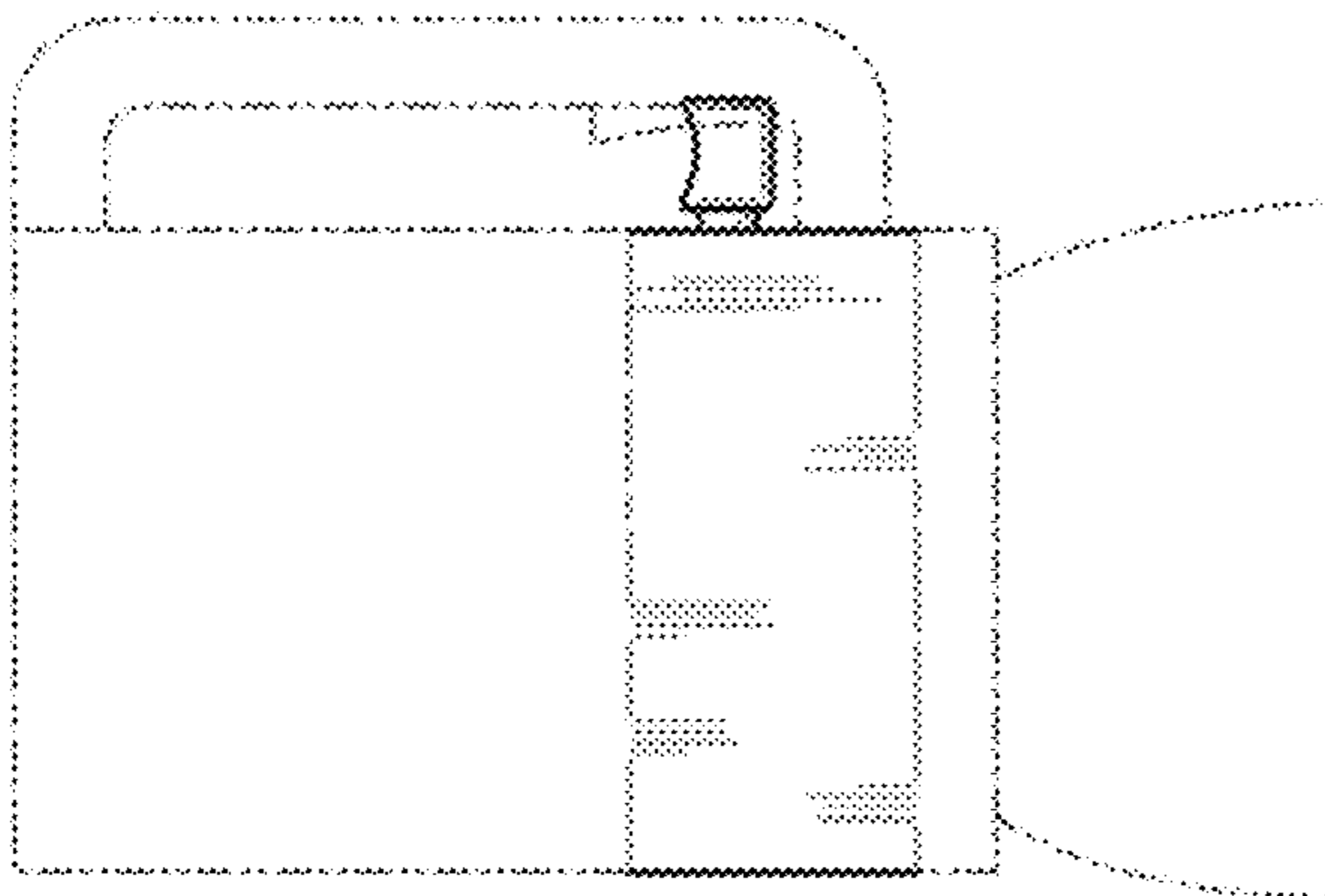


Fig. 11

Fig. 12

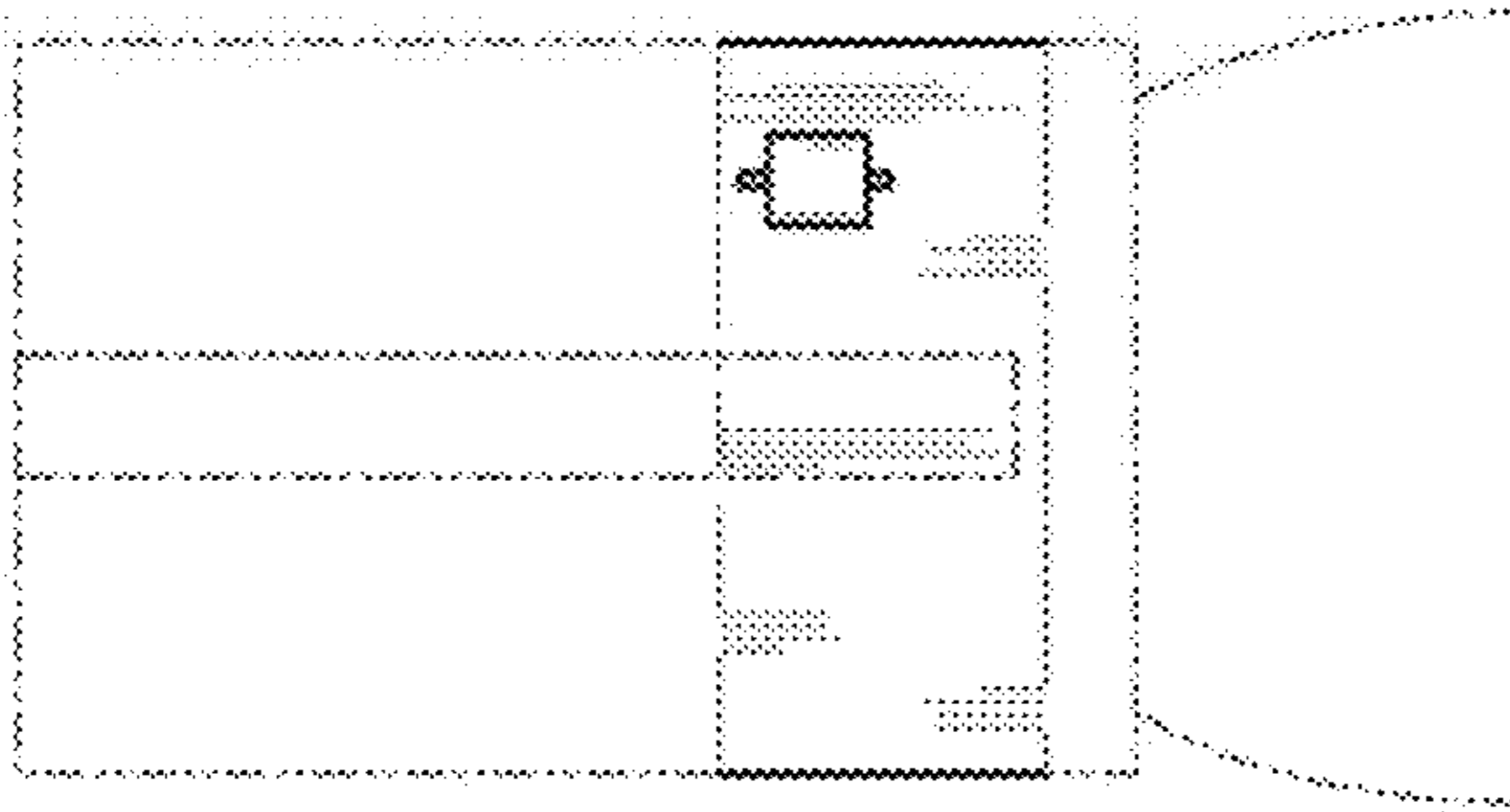
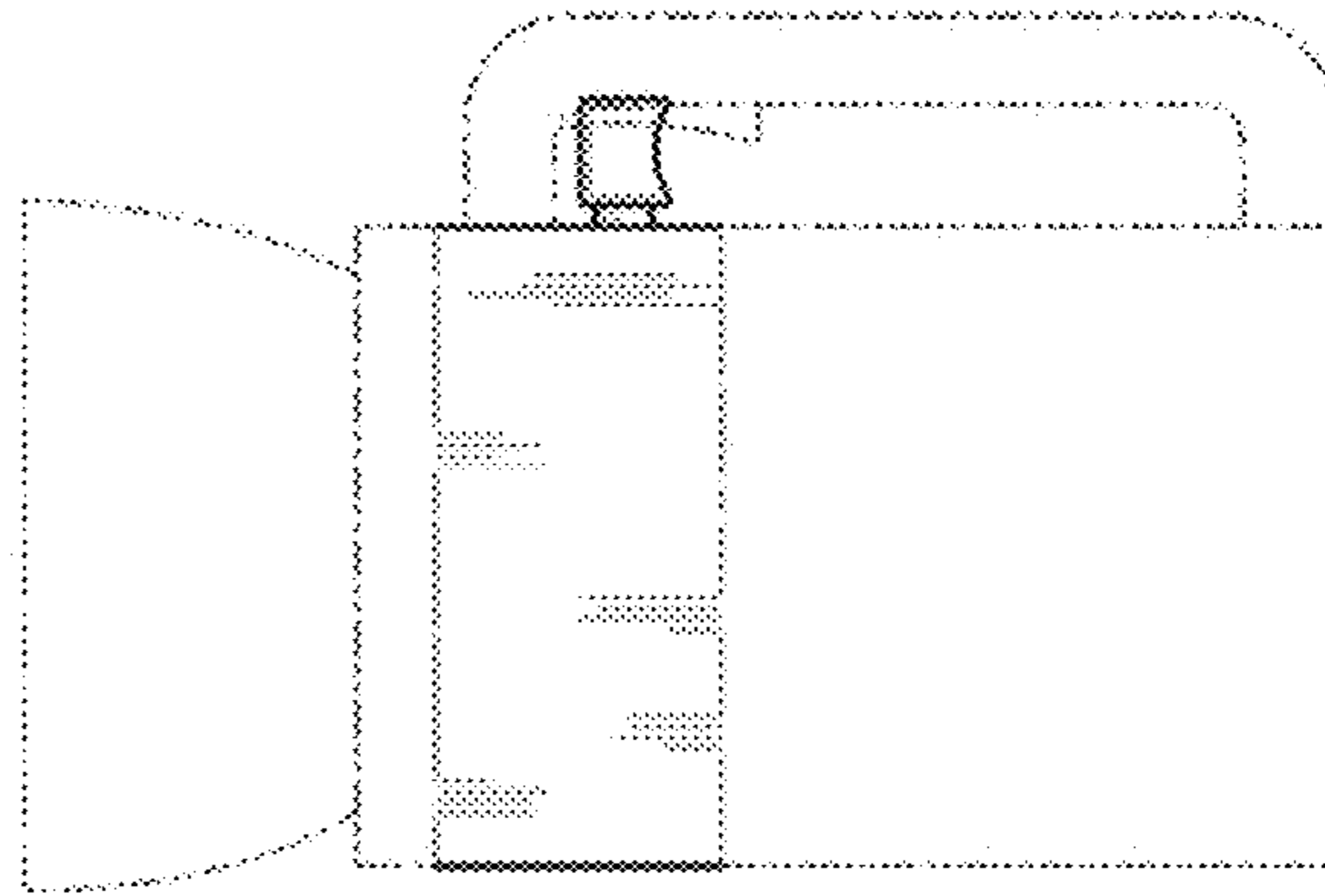


Fig. 13

Fig. 14

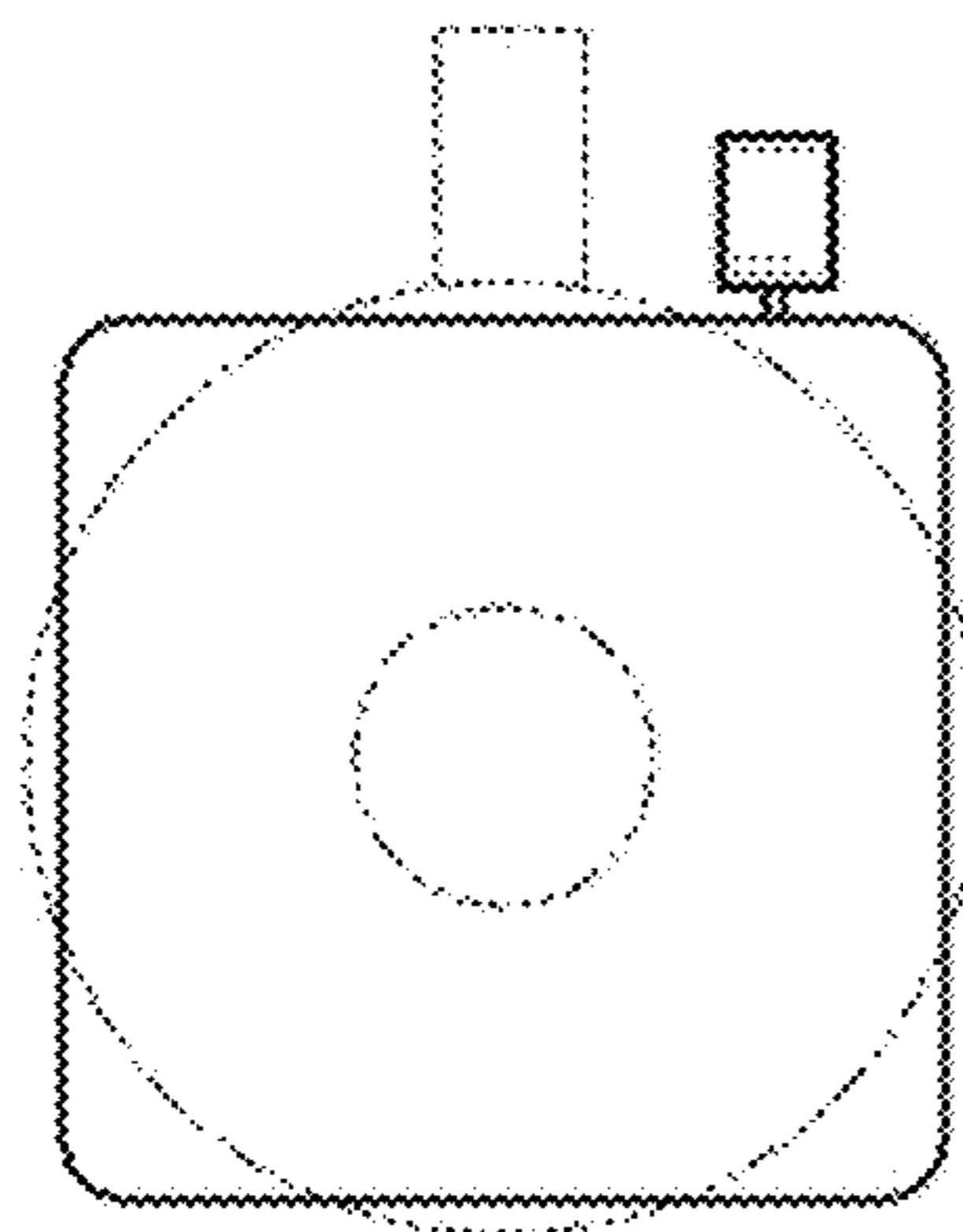
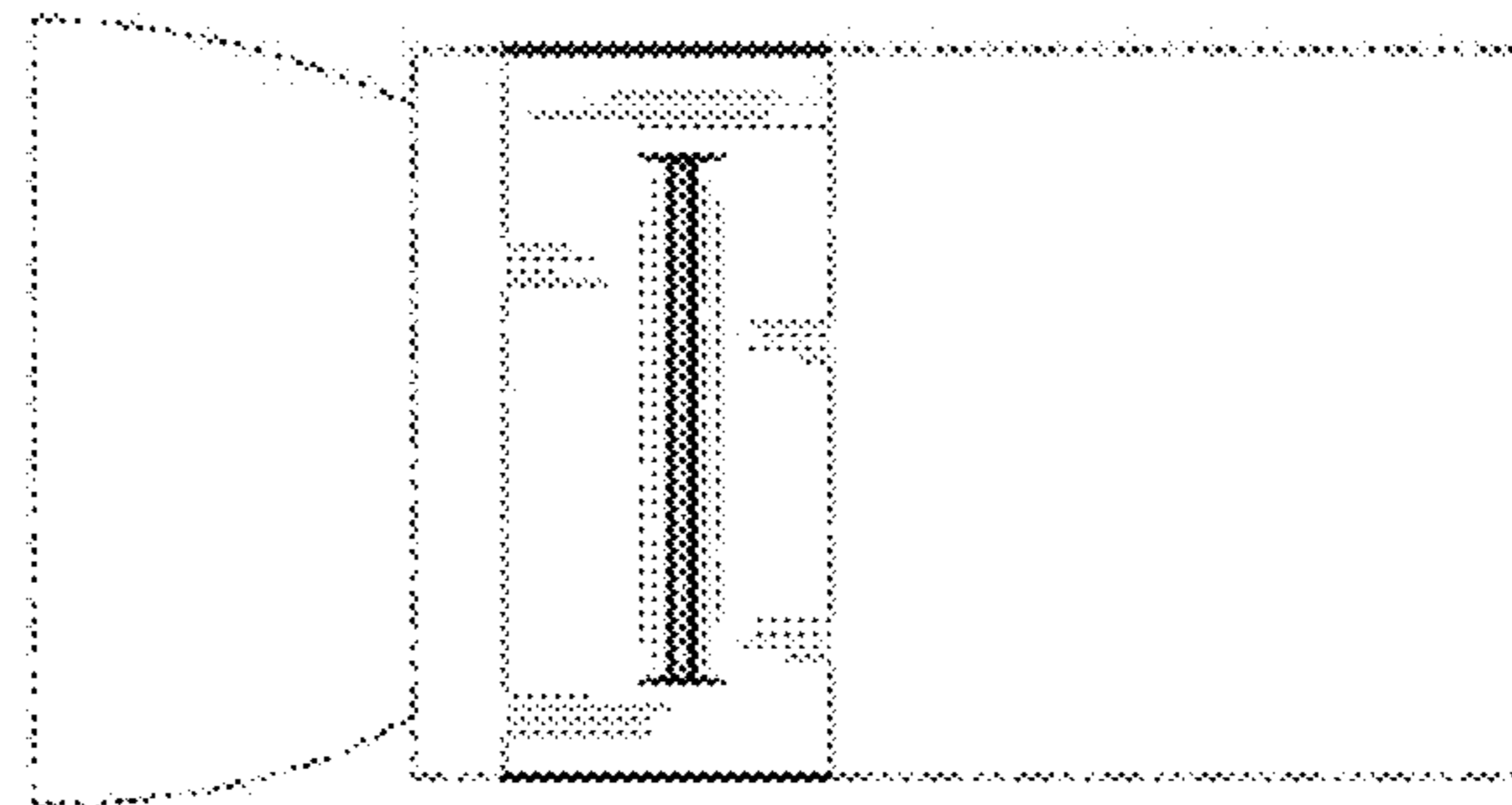


Fig. 15

Fig. 16

