



US00D921960S

(12) **United States Design Patent**
Luo

(10) **Patent No.:** **US D921,960 S**
(45) **Date of Patent:** **** Jun. 8, 2021**

(54) **LIGHT ENCLOSURE SIMULATING THE APPEARANCE OF A BOOK**

(71) Applicant: **Ming Luo**, Guangdong (CN)

(72) Inventor: **Ming Luo**, Guangdong (CN)

(**) Term: **15 Years**

(21) Appl. No.: **29/698,419**

(22) Filed: **Jul. 17, 2019**

(51) **LOC (13) Cl.** **26-03**

(52) **U.S. Cl.**
USPC **D26/94**

(58) **Field of Classification Search**
USPC D26/94; D19/26, 32; D3/201, 269
CPC B42F 3/00
See application file for complete search history.

(56) **References Cited**

U.S. PATENT DOCUMENTS

D74,398 S *	2/1928	Stivale	D26/94
D314,835 S *	2/1991	Ebihara	D26/94
D426,262 S *	6/2000	Humphrey	D19/26
D644,690 S *	9/2011	Mott, Sr.	D19/26
D673,430 S *	1/2013	Glassman	D7/637

D727,555 S *	4/2015	Gunawan	D26/94
D756,555 S *	5/2016	Gunawan	D26/94
9,683,714 B1 *	6/2017	Gunawan	F21V 17/10
D854,732 S *	7/2019	Luo	D26/94
2017/0138560 A1 *	5/2017	Oho	F21V 14/08

* cited by examiner

Primary Examiner — Brian N. Vinson

(57) **CLAIM**

The ornamental design for a light enclosure simulating the appearance of a book, as shown and described.

DESCRIPTION

FIG. 1 is a front elevational view of a light enclosure simulating the appearance of a book showing my new design;

FIG. 2 is a rear elevational view thereof;

FIG. 3 is a left side view thereof;

FIG. 4 is a right side view thereof;

FIG. 5 is a top plan view thereof;

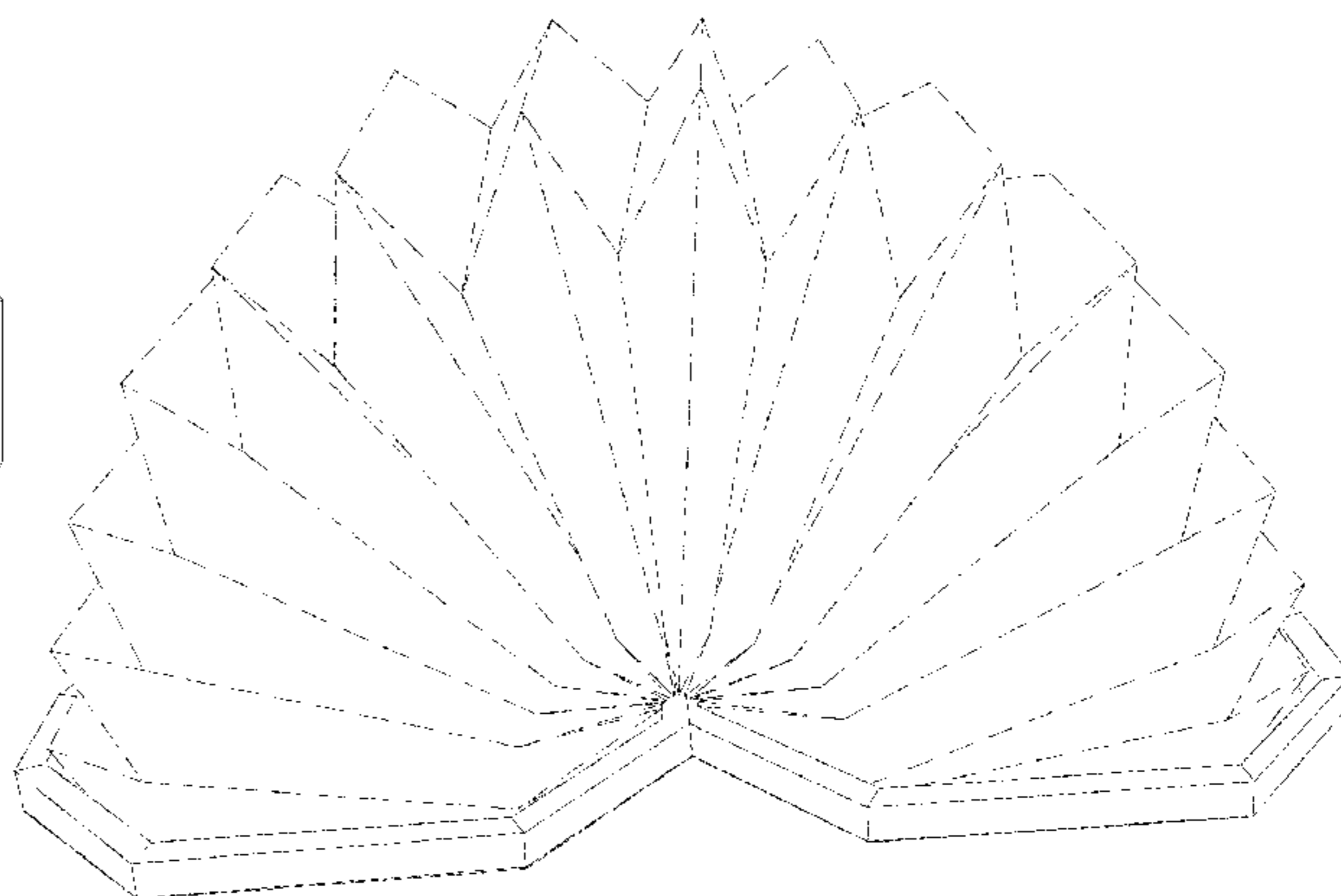
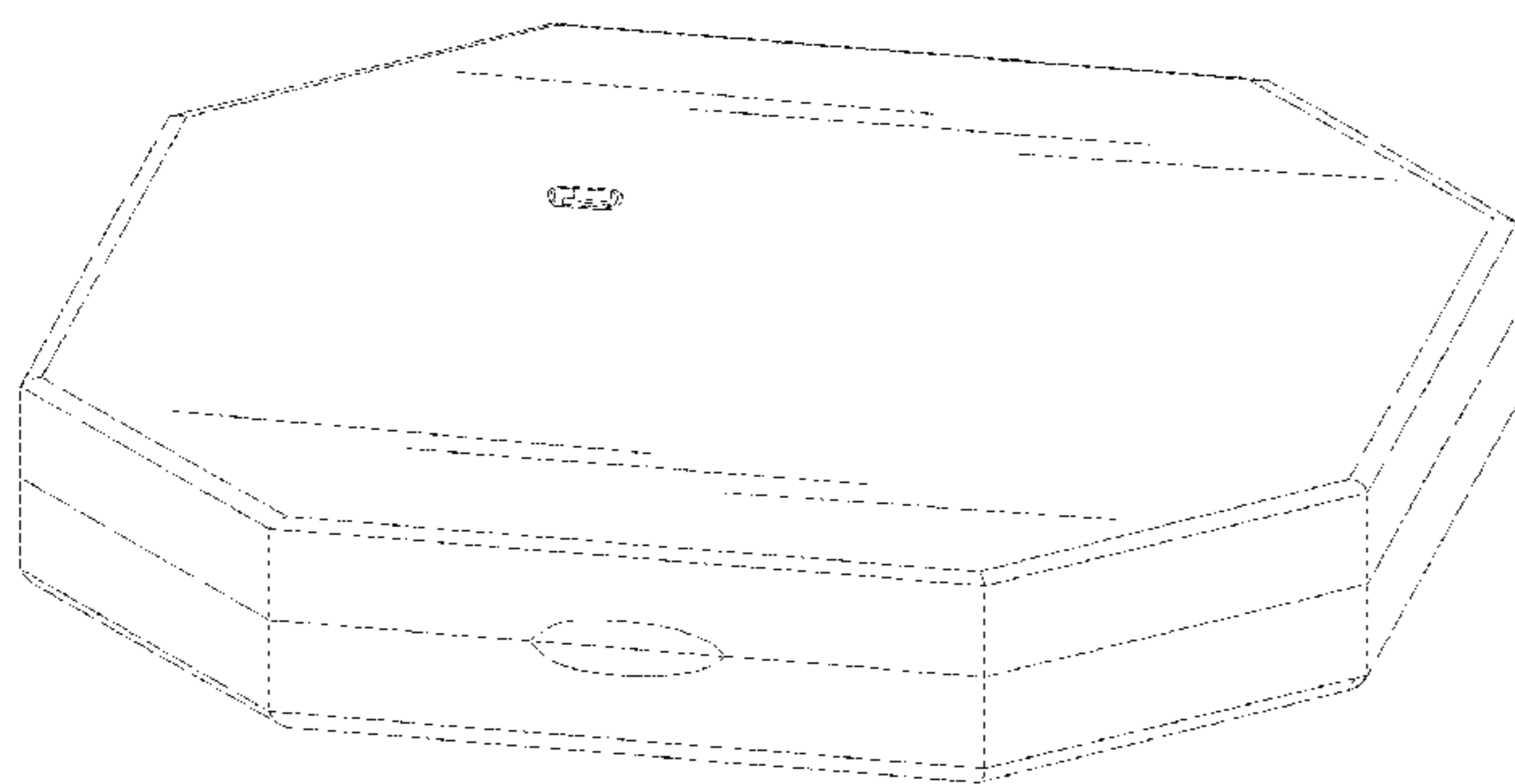
FIG. 6 is a bottom plan view thereof;

FIG. 7 is a perspective view thereof; and,

FIG. 8 is a perspective view in open state.

The broken lines shown in the views form no part of the claimed design.

1 Claim, 8 Drawing Sheets



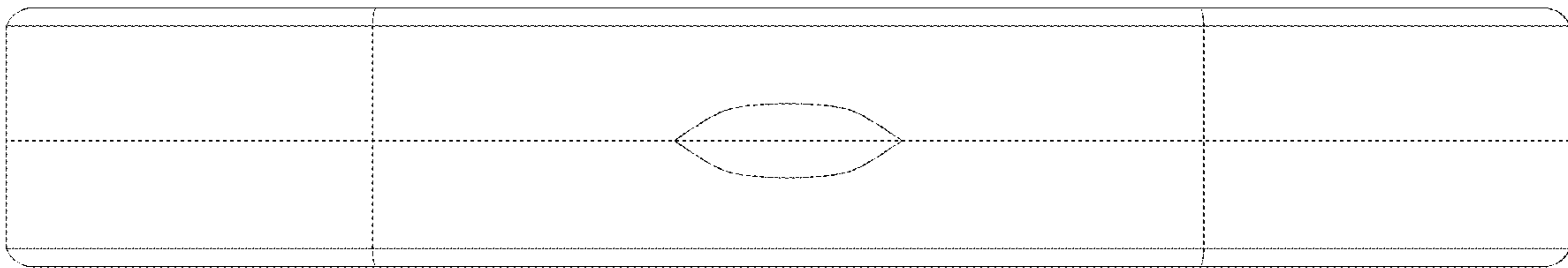


Fig. 1

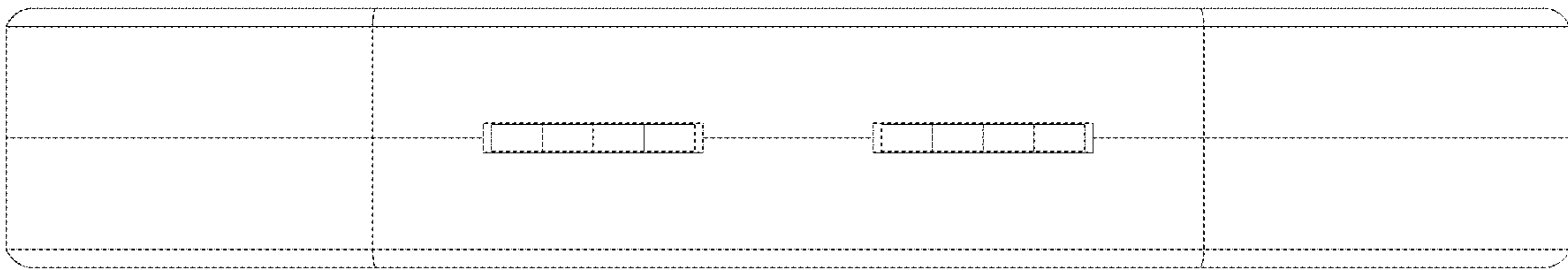


Fig. 2

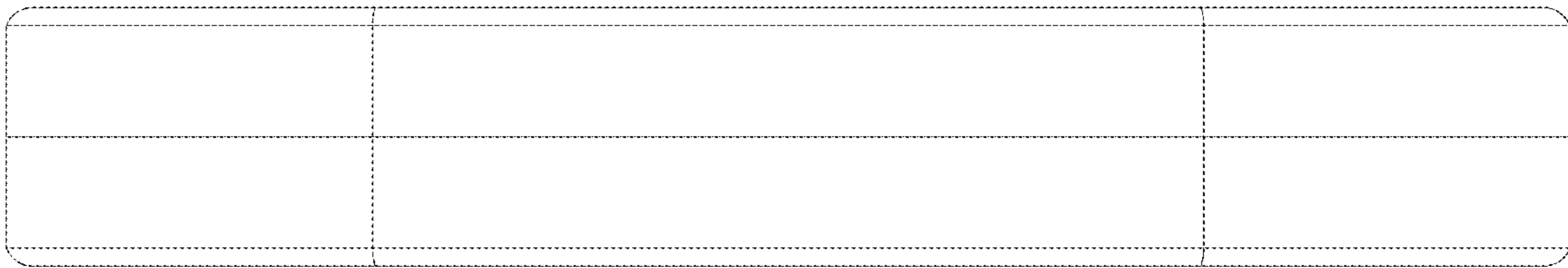


Fig. 3

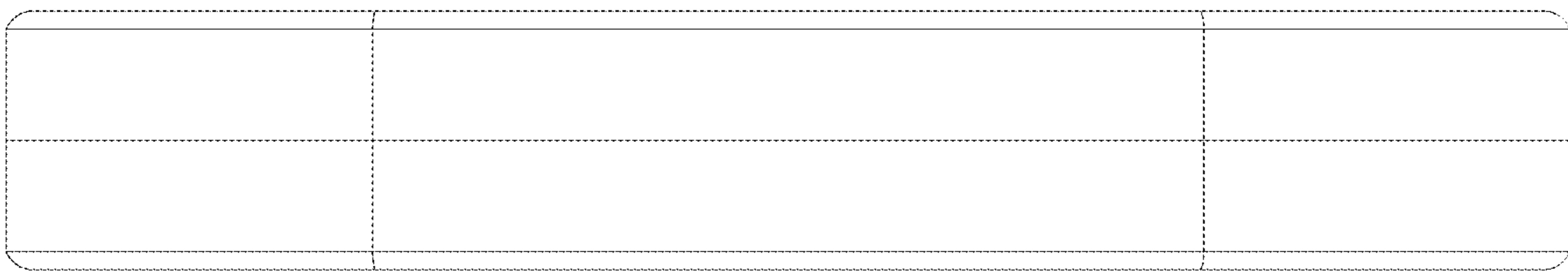


Fig. 4

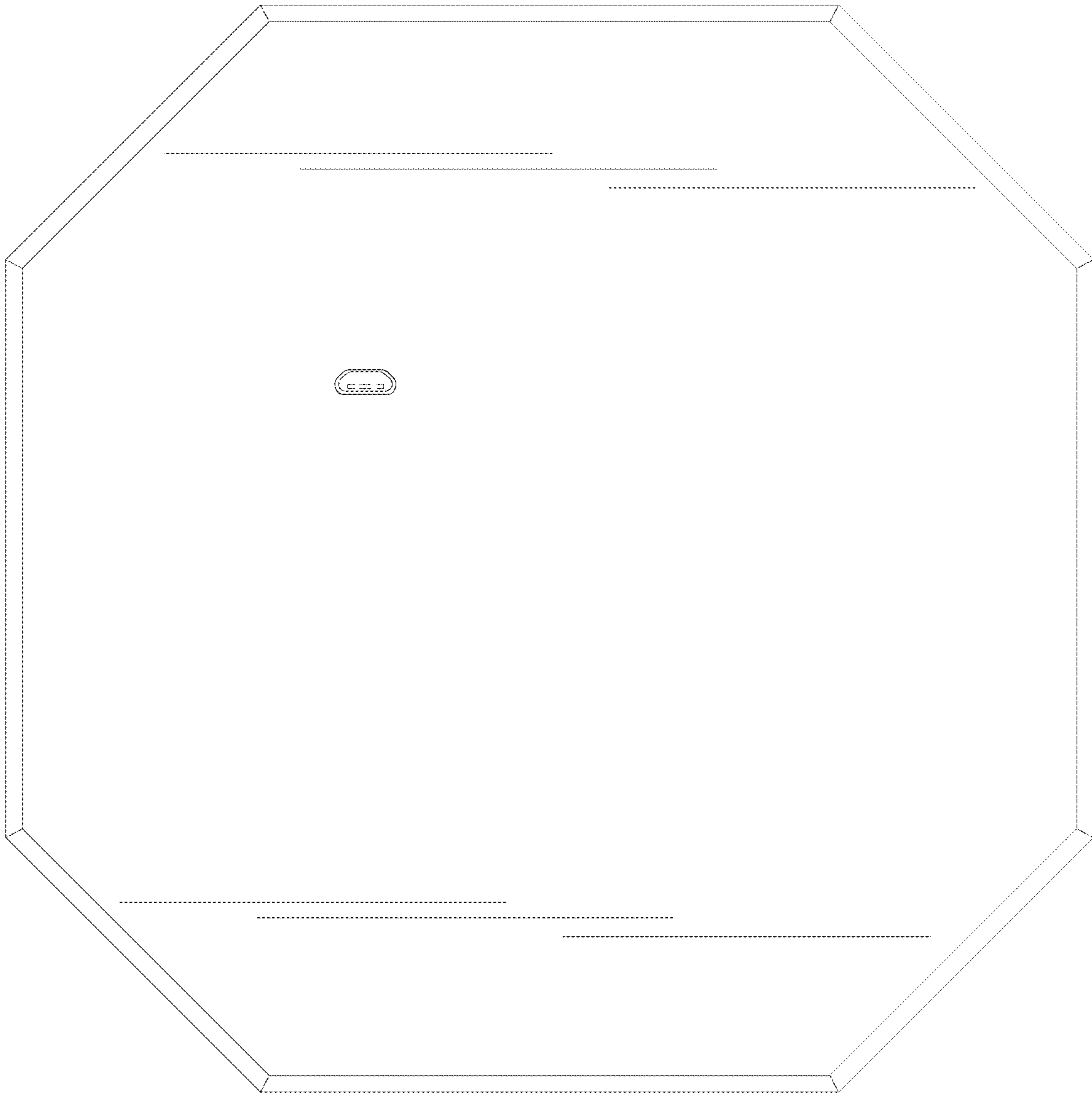


Fig. 5

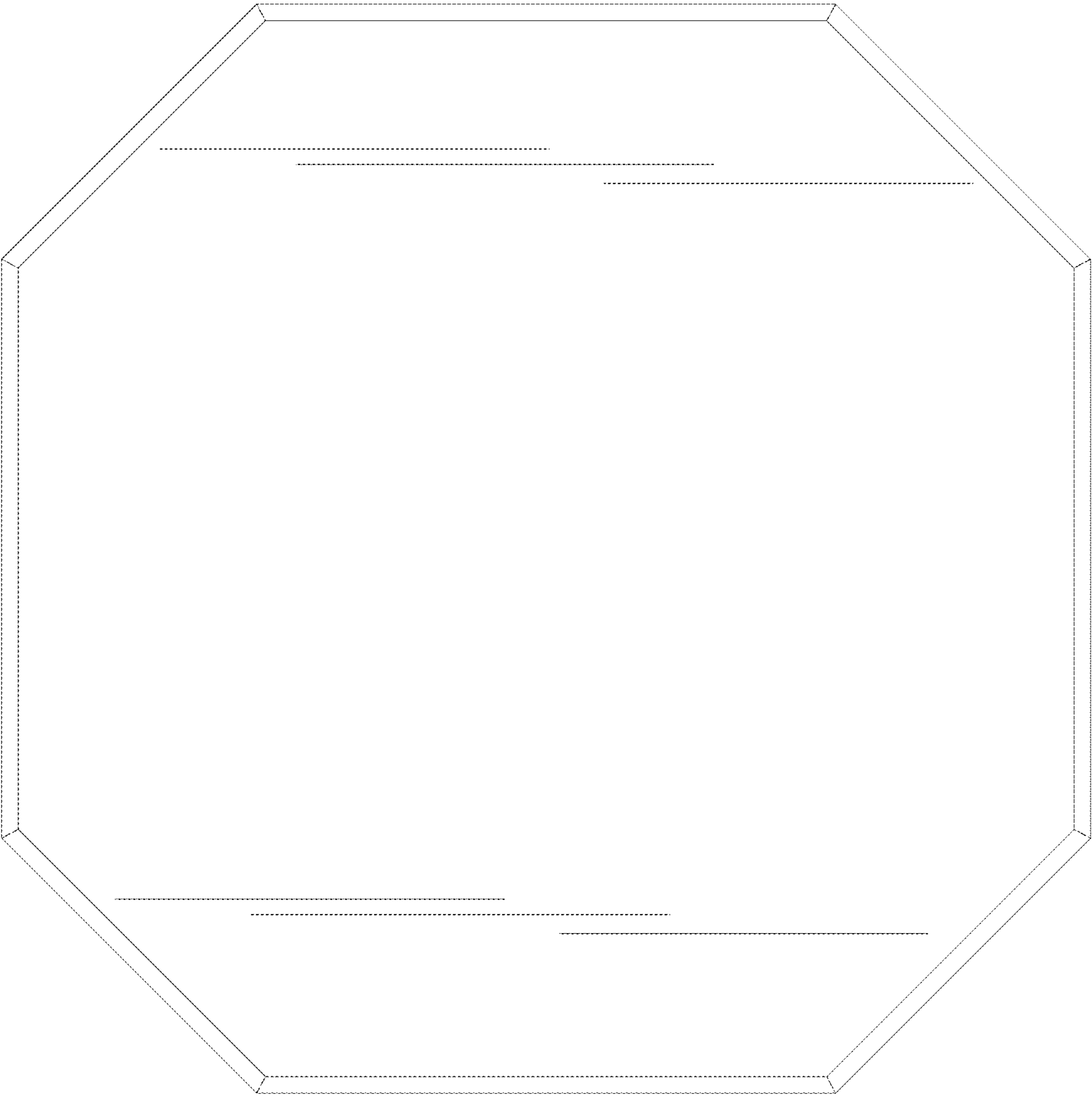


Fig. 6

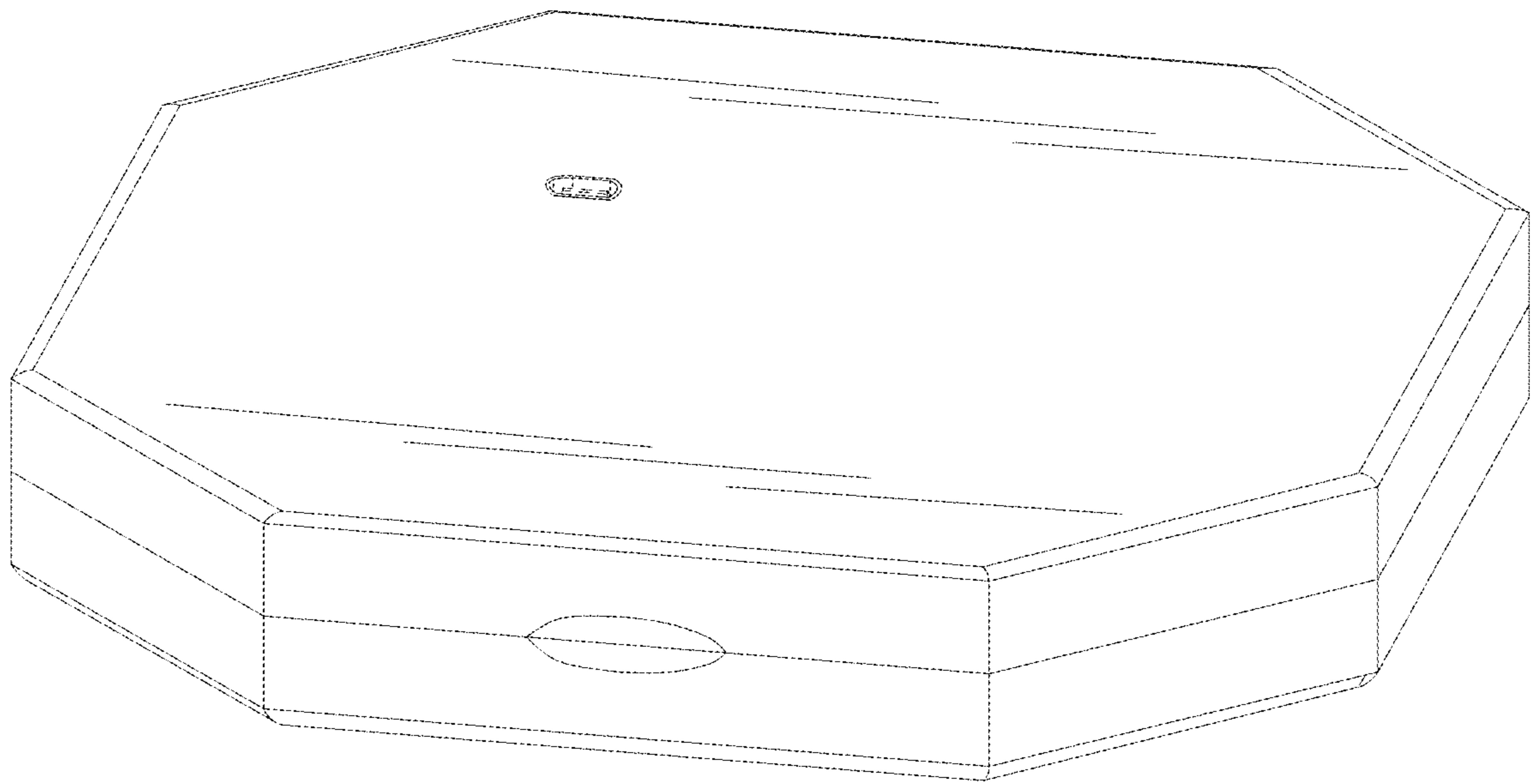


Fig. 7

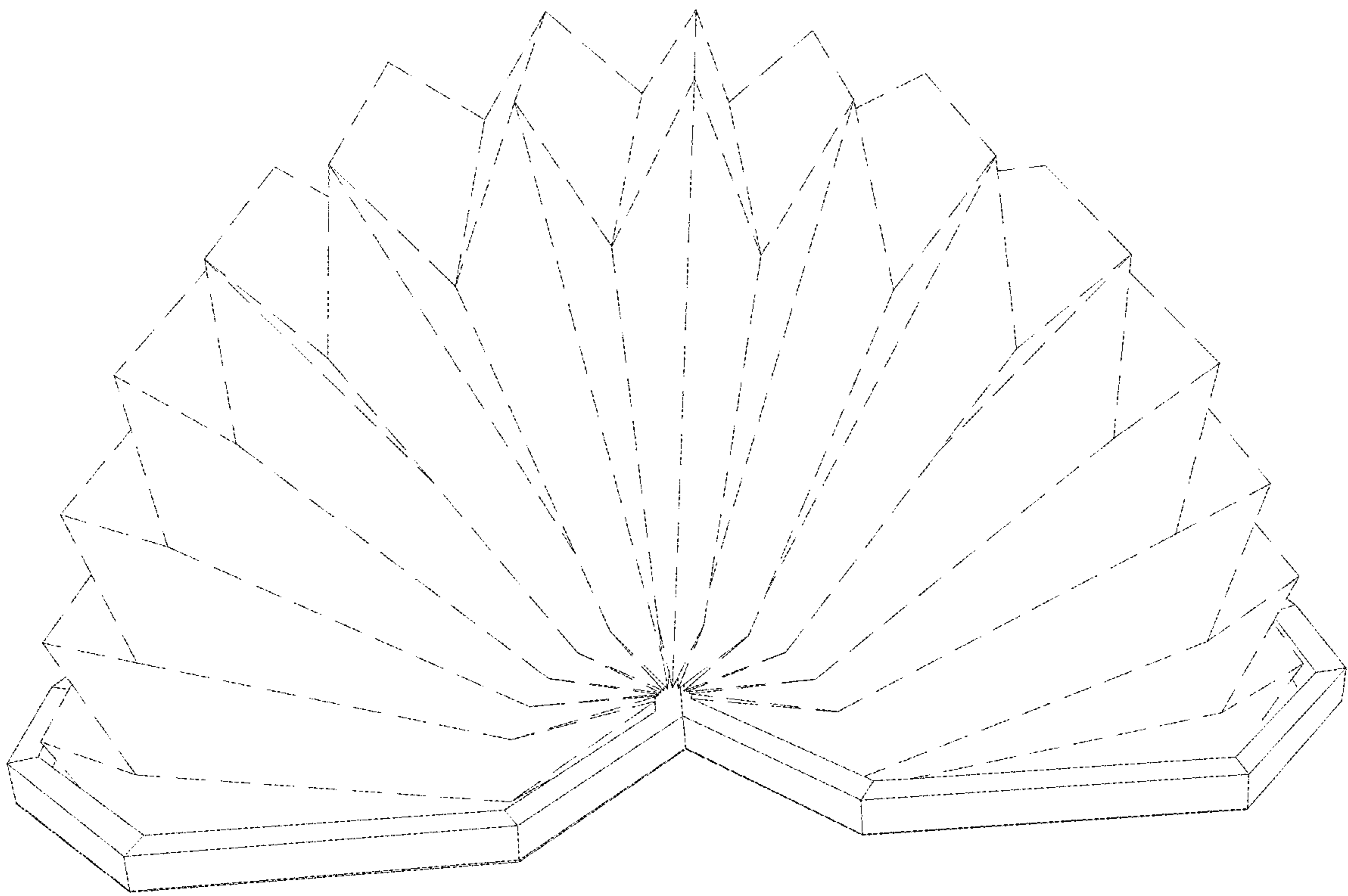


Fig. 8