



US00D921958S

(12) **United States Design Patent**  
**Hui**

(10) **Patent No.:** **US D921,958 S**  
(45) **Date of Patent:** **\*\* Jun. 8, 2021**

(54) **SOLAR LAMP**

(71) Applicant: **SHENZHEN QIANHAI PATUOXUN NETWORK AND TECHNOLOGY CO., LTD**, Shenzhen (CN)

(72) Inventor: **Li Hui**, Shenzhen (CN)

(73) Assignee: **SHENZHEN QIANHAI PATUOXUN NETWORK AND TECHNOLOGY CO., LTD**, Shenzhen (CN)

(\*\*) Term: **15 Years**

(21) Appl. No.: **29/745,612**

(22) Filed: **Aug. 7, 2020**

(30) **Foreign Application Priority Data**

Apr. 22, 2020 (CN) ..... 202030169137.6

(51) **LOC (13) Cl.** ..... **26-03**

(52) **U.S. Cl.**  
USPC ..... **D26/87**

(58) **Field of Classification Search**  
USPC ..... D26/72, 85-87, 92  
CPC .... F21S 8/03; F21S 8/035; F21S 8/036; F21S 8/046

See application file for complete search history.

(56) **References Cited**

**U.S. PATENT DOCUMENTS**

D451,622 S	*	12/2001	Jones	.....	D26/87
D454,652 S	*	3/2002	Crelin	.....	D26/85
D465,873 S	*	11/2002	De'Armond	.....	D26/87
D678,589 S	*	3/2013	Crosby	.....	D26/85
D766,489 S	*	9/2016	Moon	.....	D26/87

D830,610 S	*	10/2018	Amato	.....	D26/87
D837,438 S	*	1/2019	Xie	.....	D26/87
D842,526 S		3/2019	Zhuo		
D861,224 S		9/2019	Hu		
D903,181 S	*	11/2020	Fu	.....	D26/85

**OTHER PUBLICATIONS**

LITOM Solar Lights Outdoor with USB Charging available at amazon.com Nov. 17, 2020. (Year: 2020).\*

MAGGIFT 2 Pack Solar Powered Wall Lantern available at amazon.com Dec. 10, 2019. (Year: 2019).\*

Black Dusk-To-Dawn Solar-Powered LED Outdoor Wall Light—Style # 20X02 available at lampsplus.com as early as Jul. 25, 2018. (Year: 2018).\*

Baytown II Bulb Solar Lamp With GS Solar LED Light Bulb GS-105B-FPW available at gamasonic.com as early as Mar. 31, 2017. (Year: 2017).\*

\* cited by examiner

*Primary Examiner* — Clare E Heflin

(57) **CLAIM**

The ornamental design for a solar lamp, as shown and described.

**DESCRIPTION**

FIG. 1 is a perspective view of a solar lamp showing my new design;

FIG. 2 is another perspective view thereof;

FIG. 3 is a front elevational view thereof;

FIG. 4 is a rear elevational view thereof;

FIG. 5 is a left side elevational view thereof;

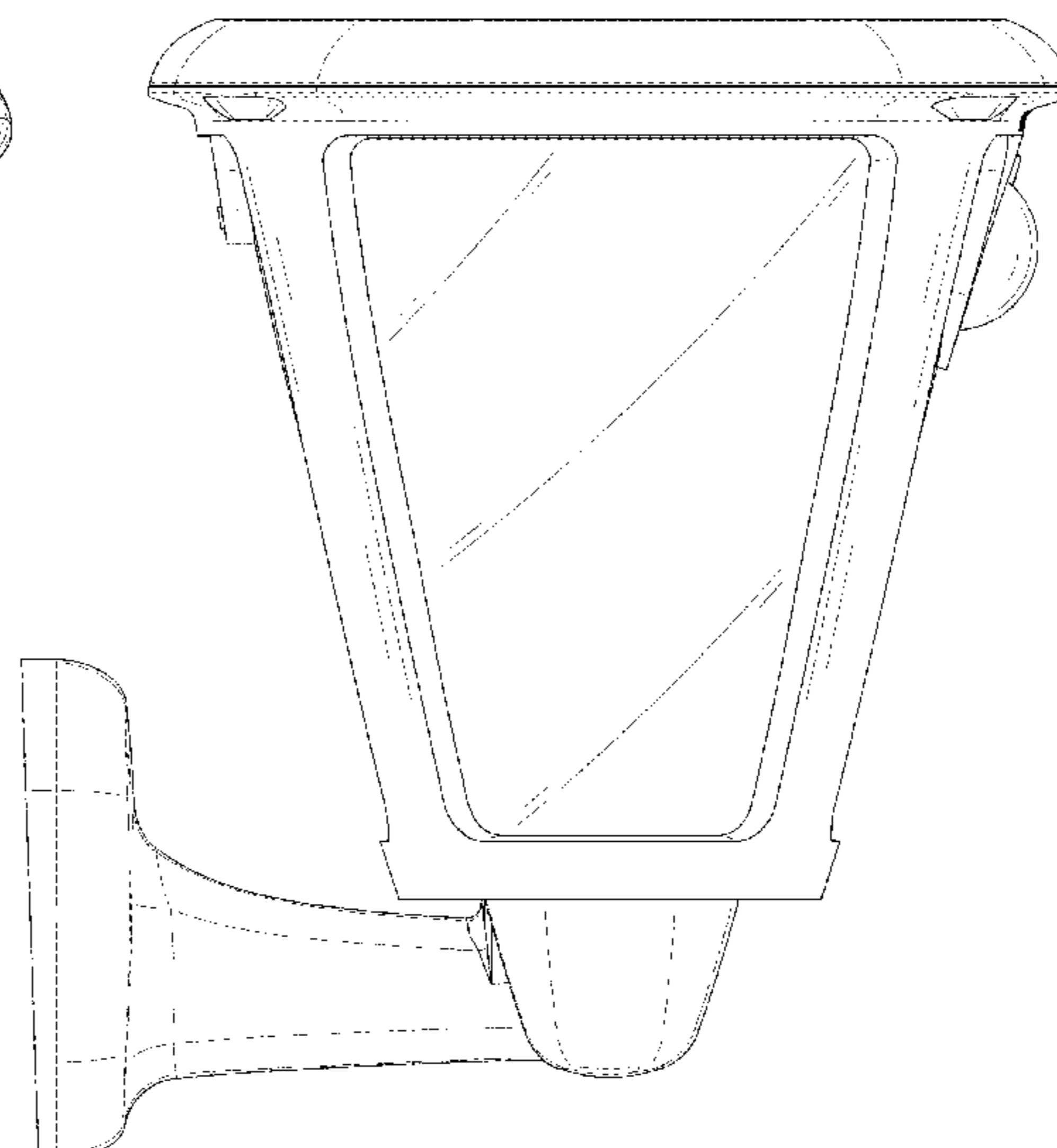
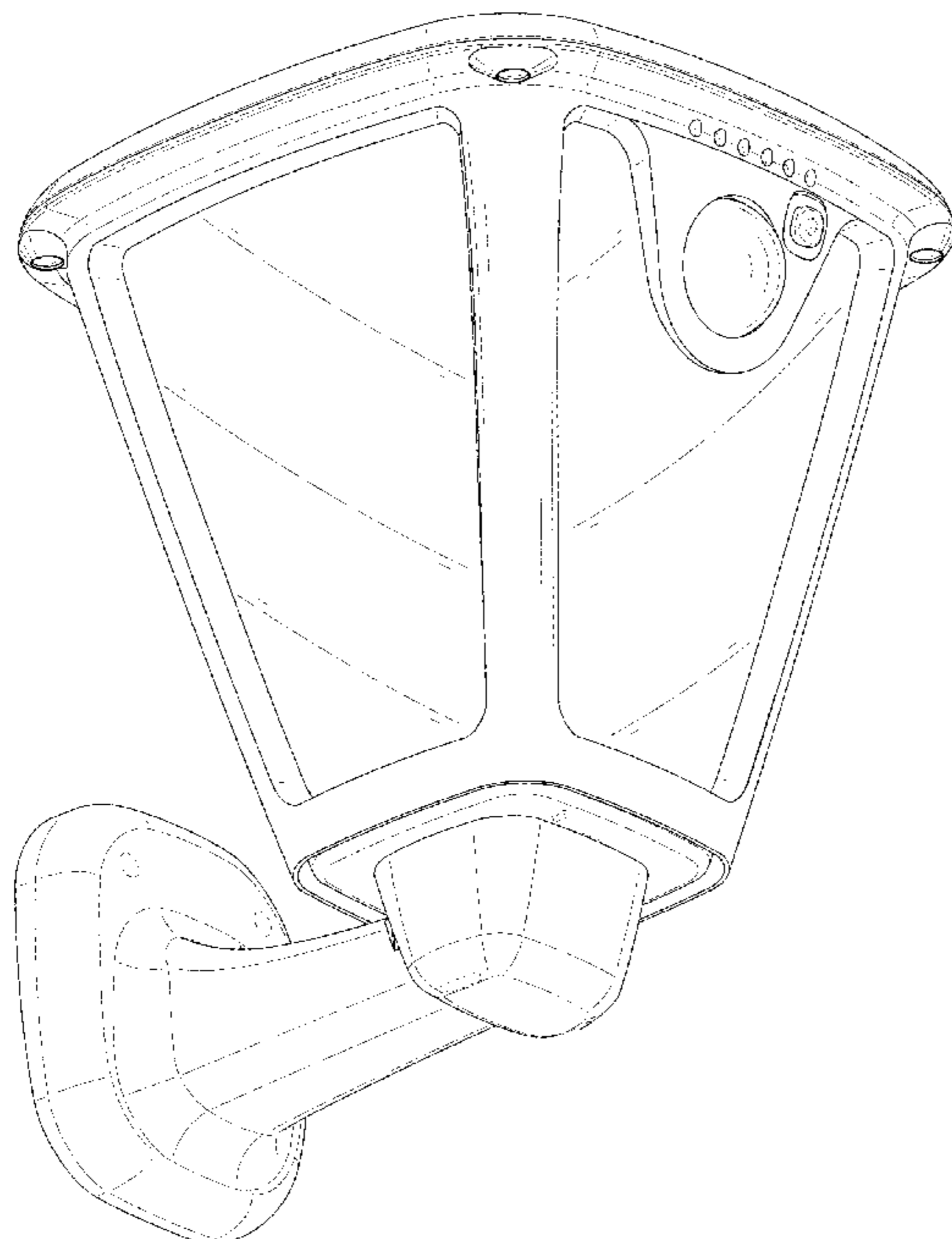
FIG. 6 is a right side elevational view thereof;

FIG. 7 is a bottom plan view thereof; and,

FIG. 8 is a top plan view thereof.

The broken lines in the drawings depict portions of the solar lamp that form no part of the claimed design.

**1 Claim, 8 Drawing Sheets**



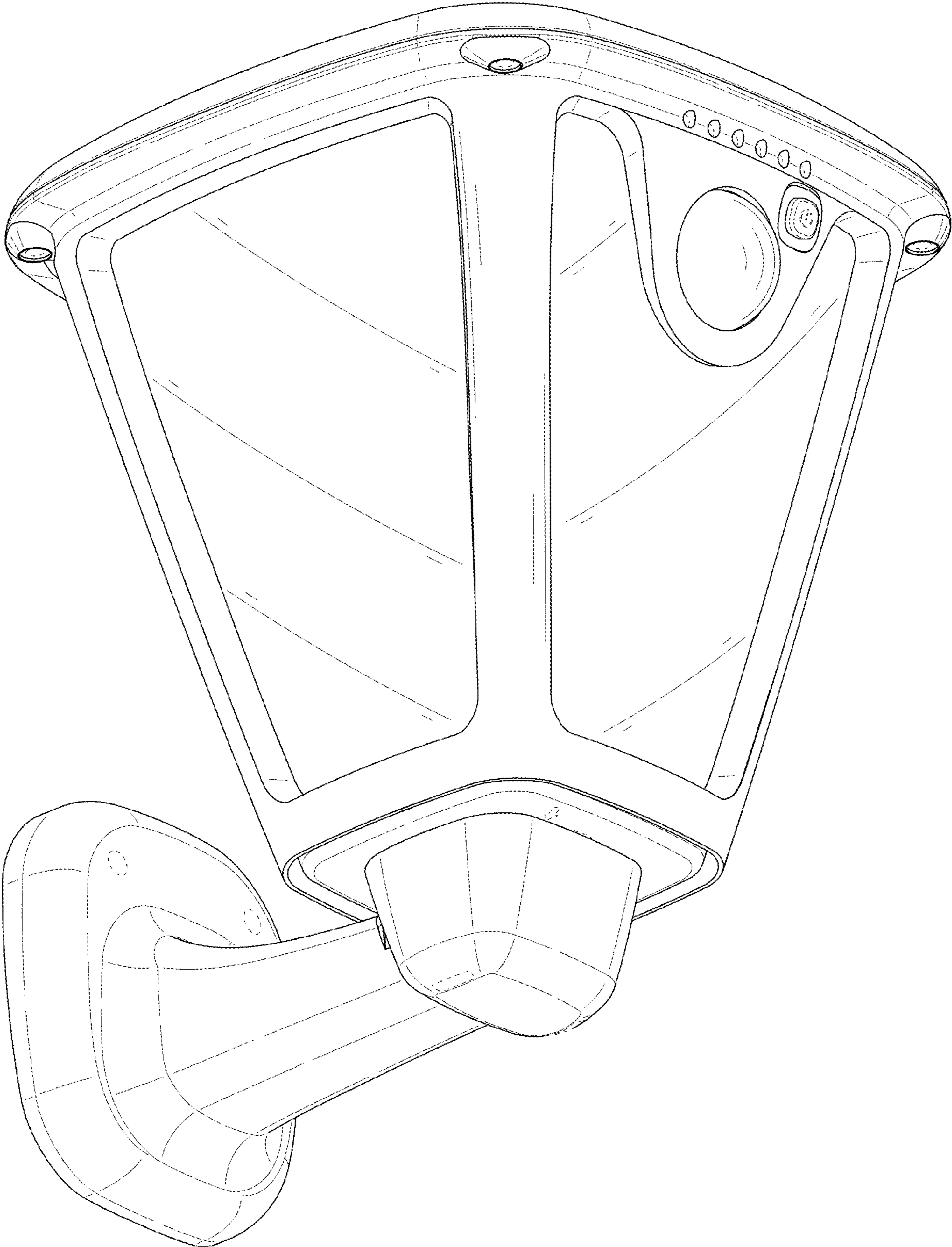


FIG. 1



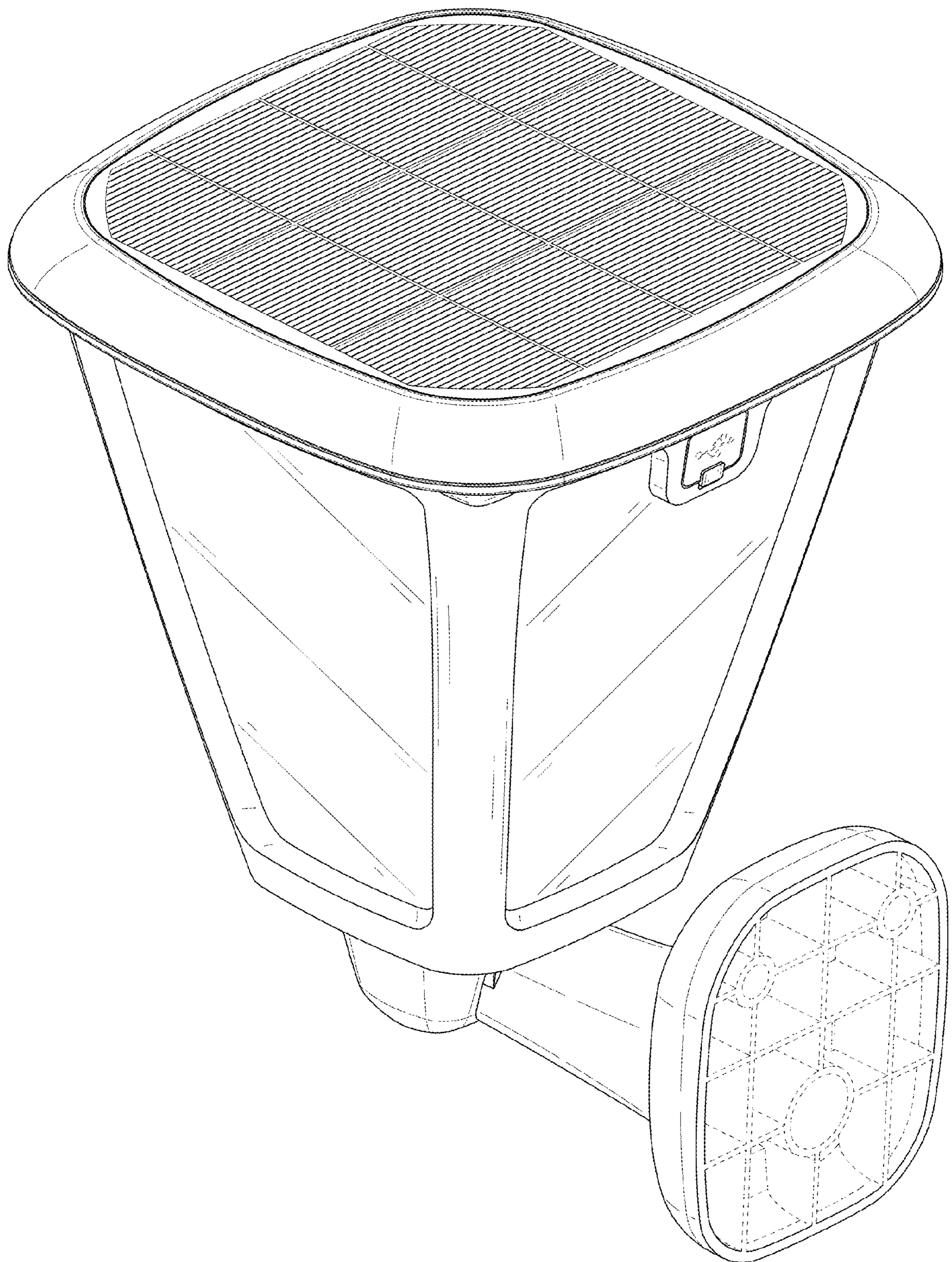


FIG. 2

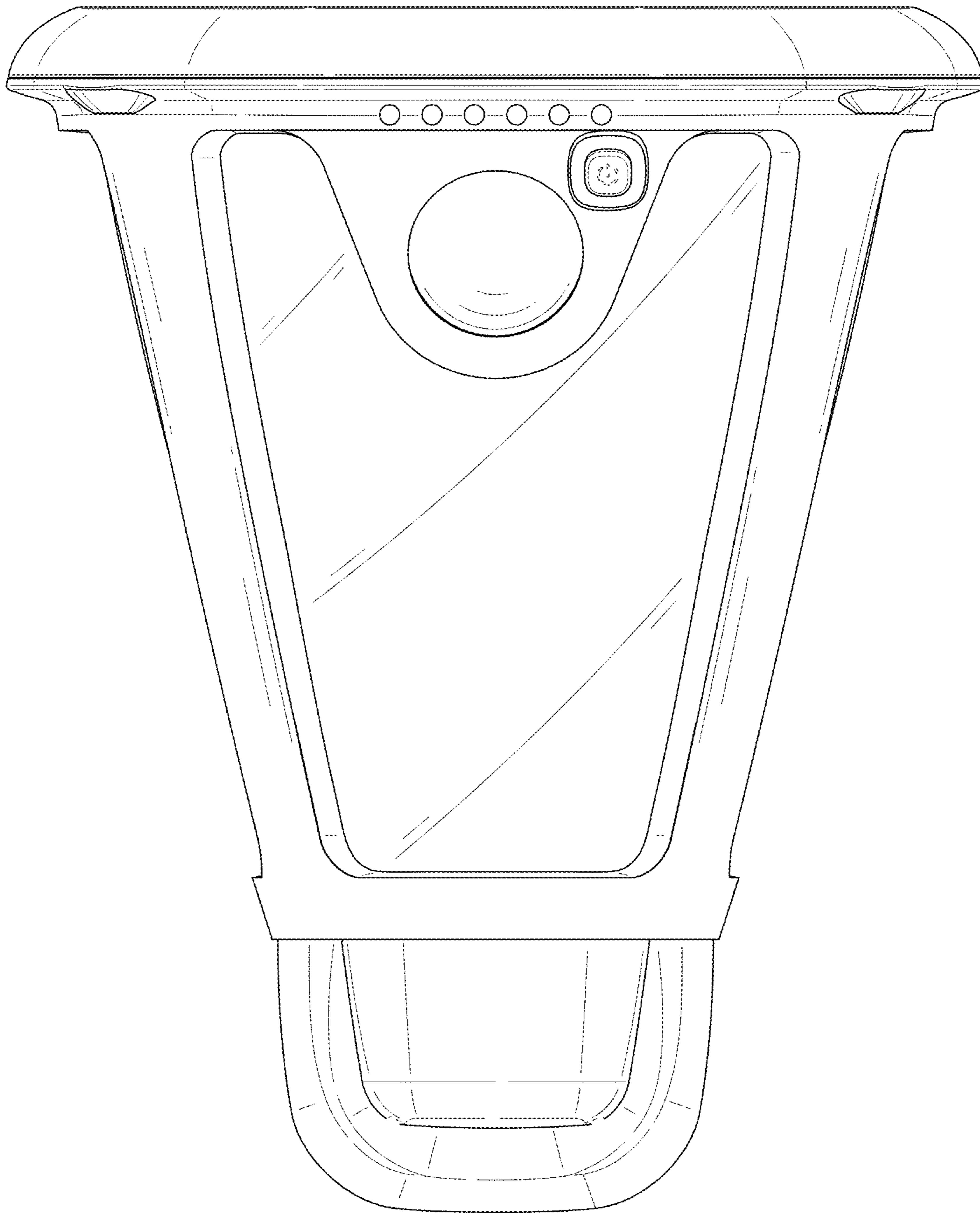


FIG. 3

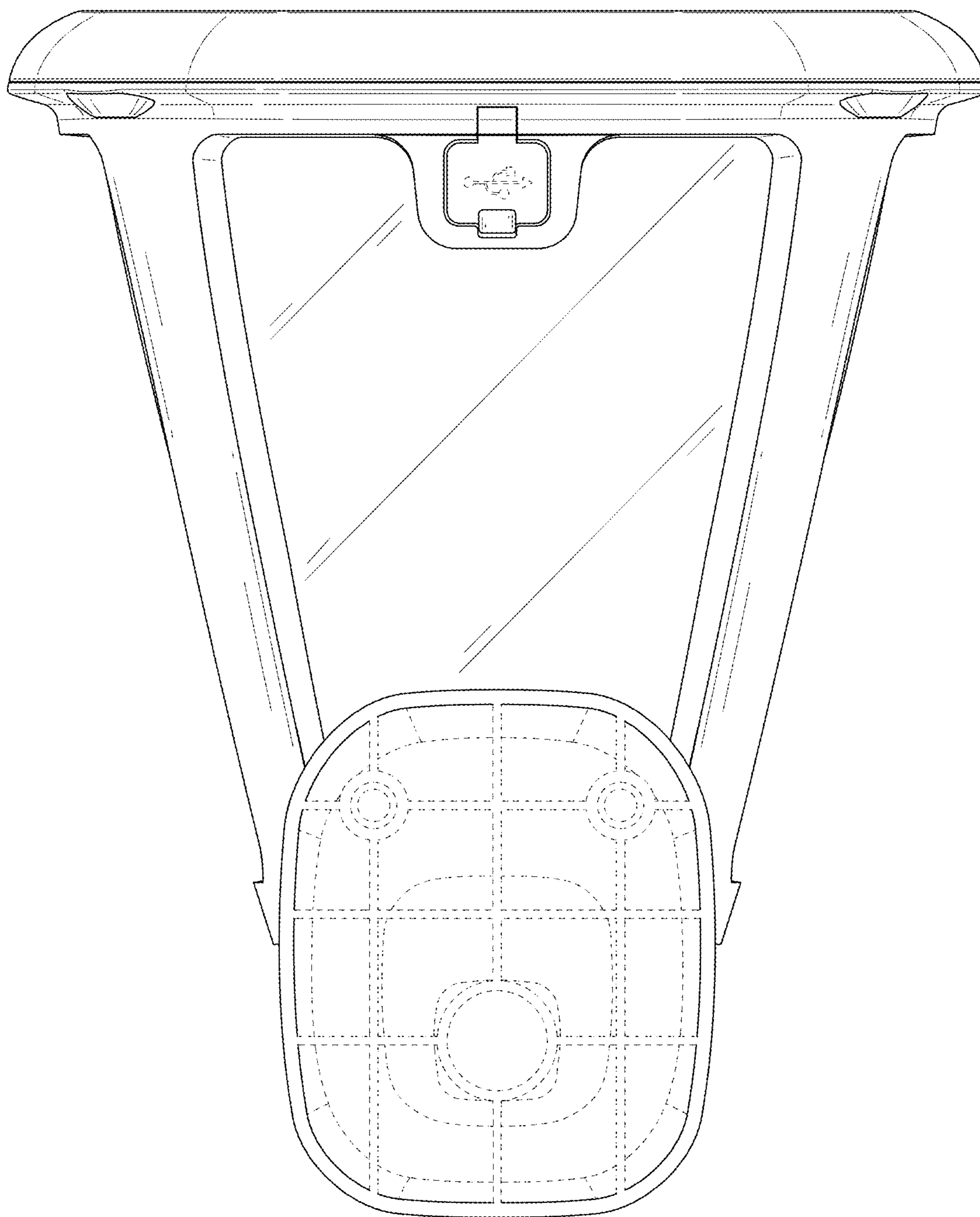


FIG. 4

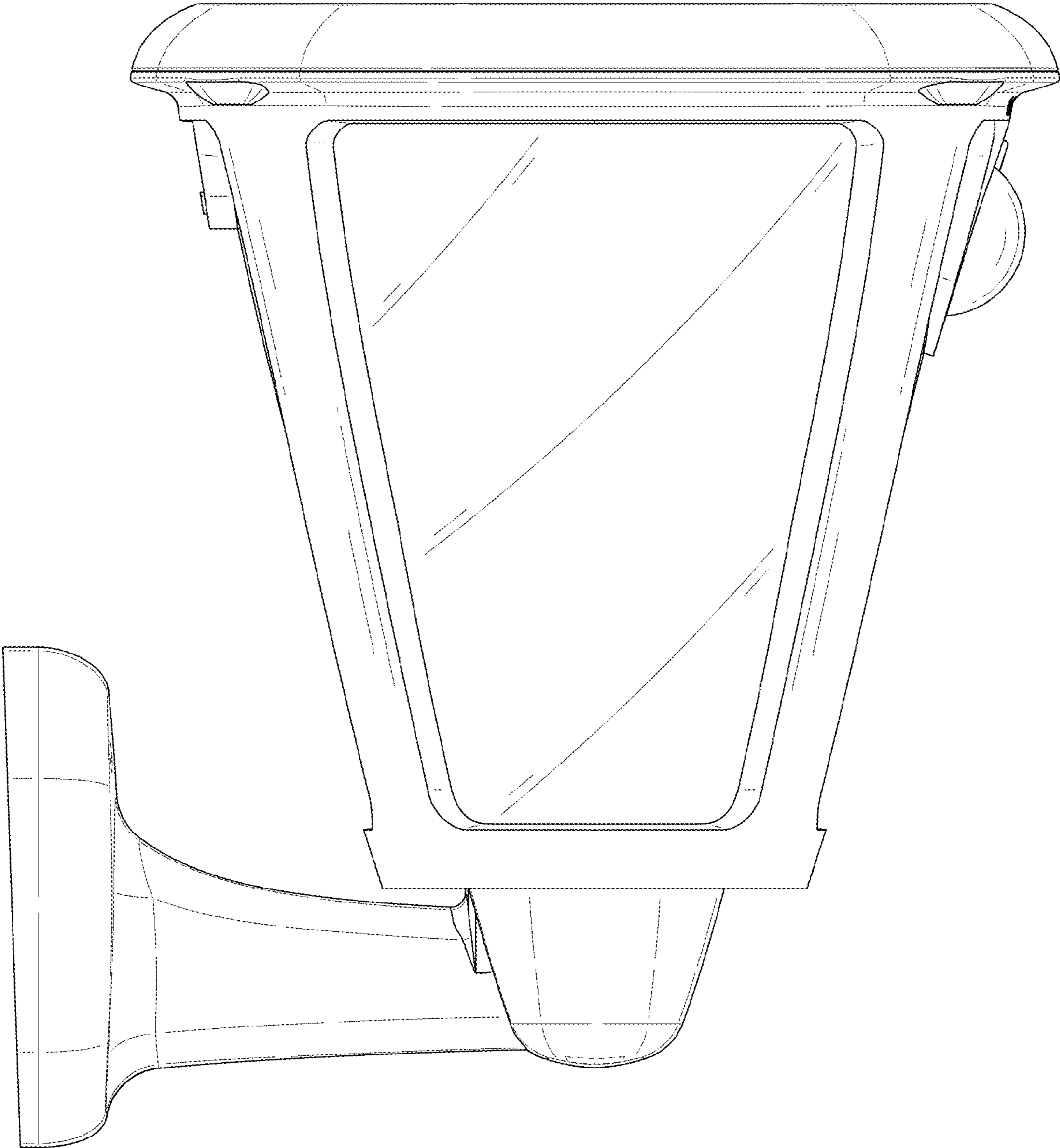


FIG. 5



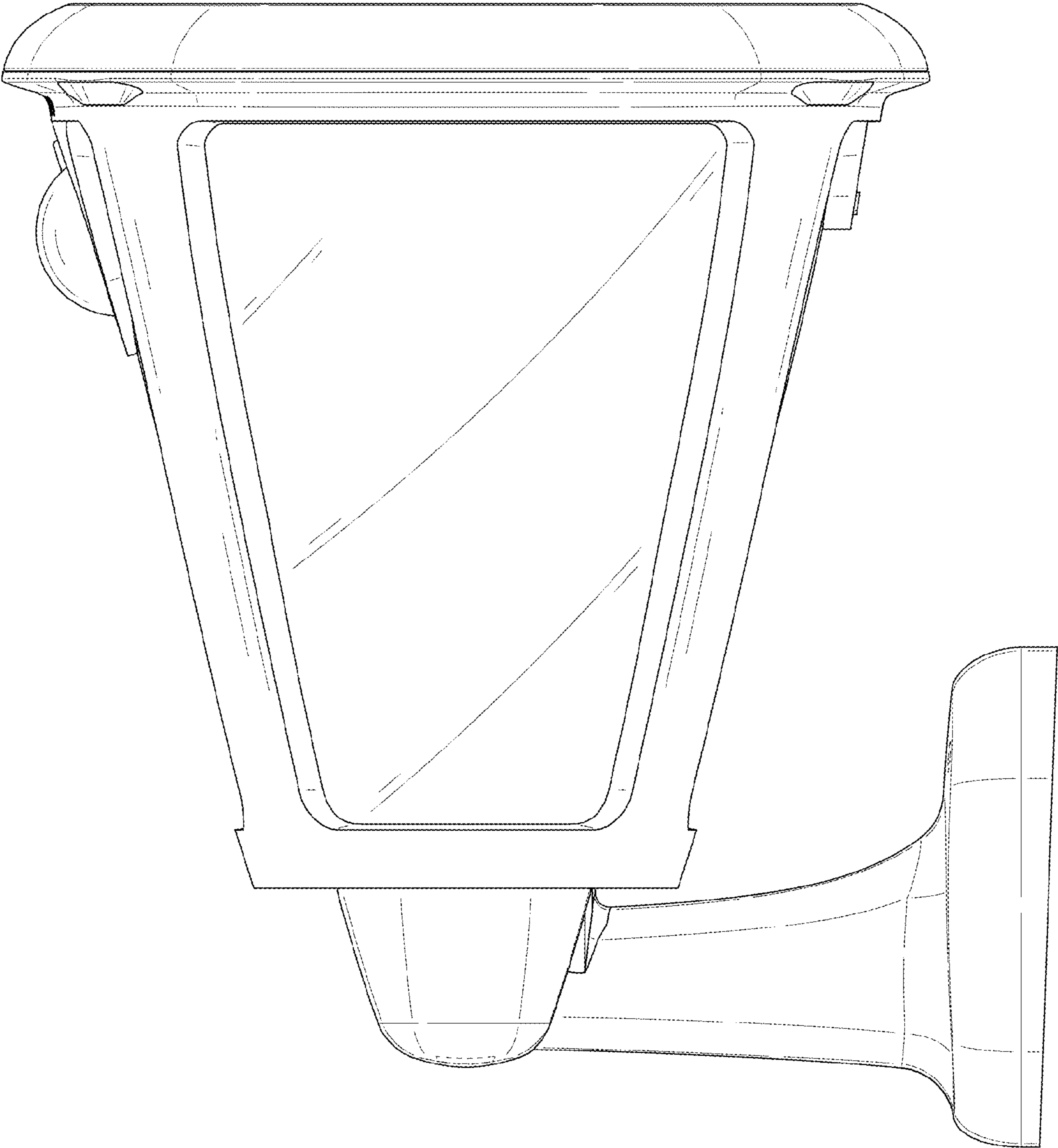


FIG. 6

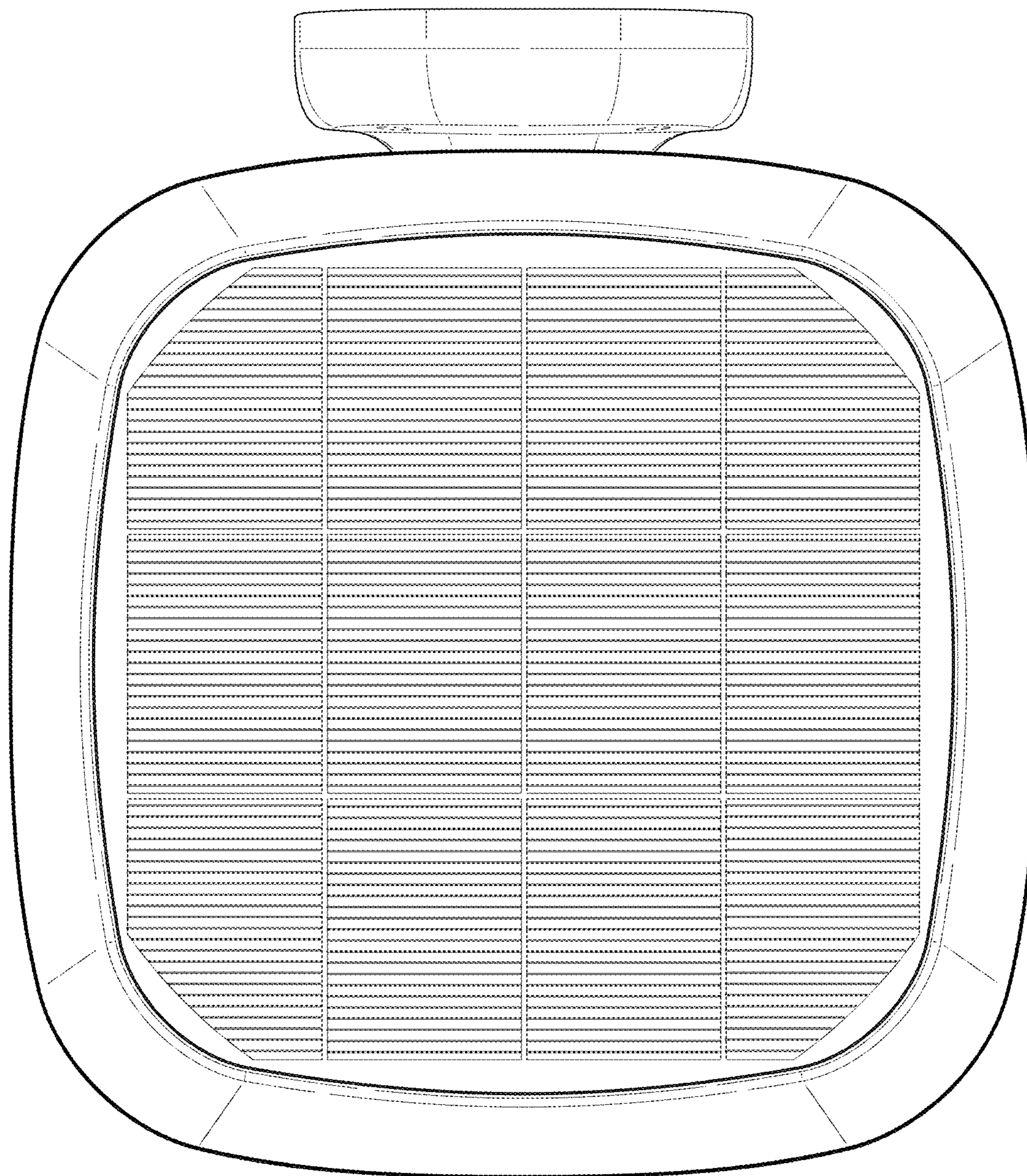


FIG. 7



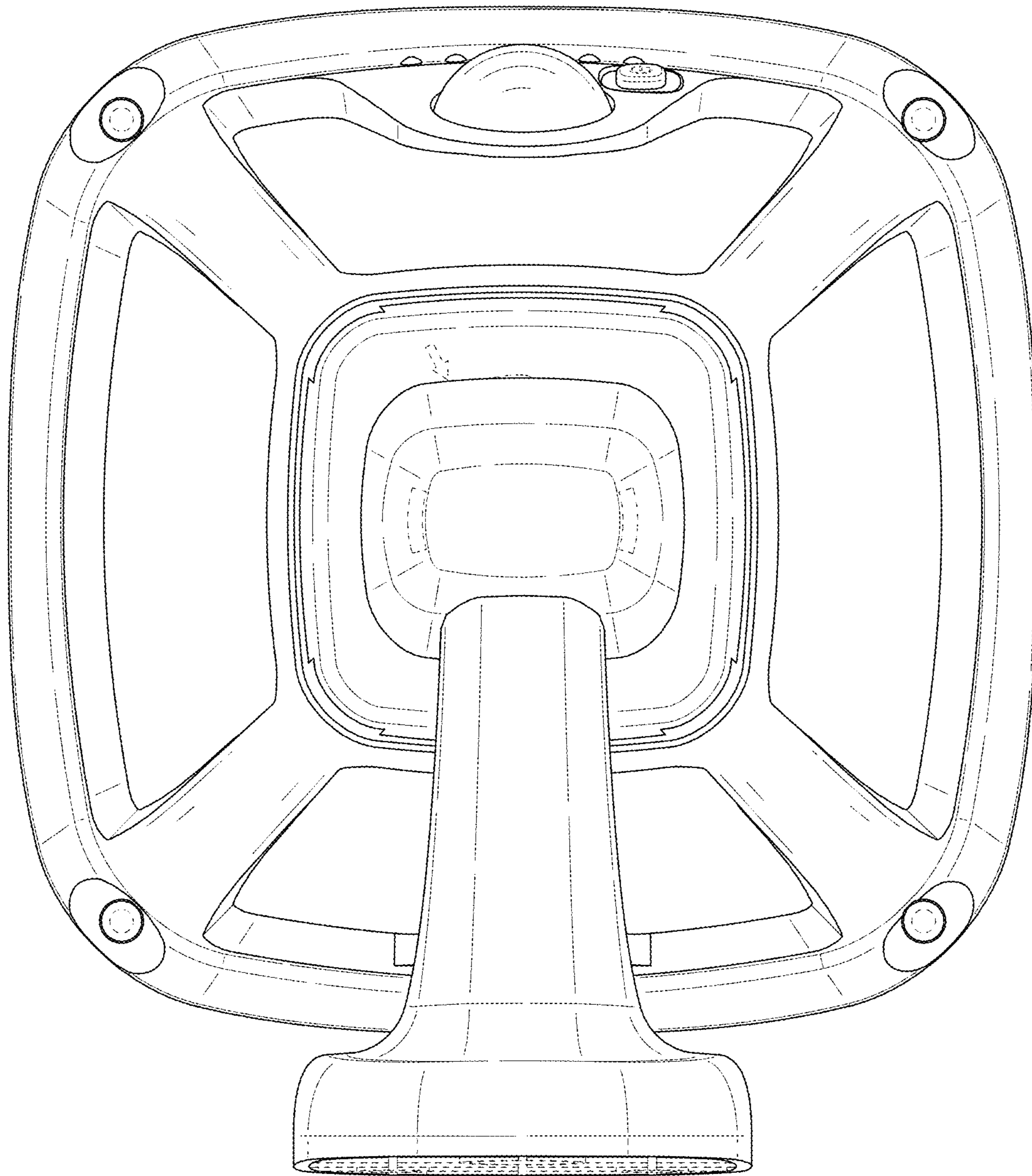


FIG. 8