



US00D921954S

(12) **United States Design Patent**  
**Jiang**

(10) **Patent No.:** **US D921,954 S**  
(45) **Date of Patent:** **\*\* Jun. 8, 2021**

- (54) **LIGHT EMITTING DEVICE**
- (71) Applicant: **Anker Innovations Technology Co., Ltd.**, Changsha (CN)
- (72) Inventor: **Fangyuan Jiang**, Changsha (CN)
- (73) Assignee: **Anker Innovations Technology Co. Ltd.**, Changsha (CN)
- (\*\*) Term: **15 Years**
- (21) Appl. No.: **29/686,292**
- (22) Filed: **Apr. 3, 2019**
- (30) **Foreign Application Priority Data**

Oct. 11, 2018 (CN) ..... 201830568128.7

- (51) **LOC (13) Cl.** ..... **26-03**
- (52) **U.S. Cl.**  
USPC ..... **D26/72**
- (58) **Field of Classification Search**  
USPC ..... D26/1, 24, 93, 104, 106, 72, 85  
CPC ..... F21V 21/14; F21V 3/00; F21S 6/00; F21S 6/002; F21W 2121/00; F21W 2131/00  
See application file for complete search history.

(56) **References Cited**

**U.S. PATENT DOCUMENTS**

- D411,634 S \* 6/1999 Connelly ..... D26/104
- D417,923 S \* 12/1999 Chiu ..... D26/106

- D552,292 S \* 10/2007 Martineau ..... D26/85
- D750,829 S \* 3/2016 Pouladian ..... D26/63
- D774,683 S \* 12/2016 Wang ..... D26/93
- D775,398 S \* 12/2016 Warden ..... D26/106
- D826,465 S \* 8/2018 Knuepfel ..... D26/93
- D830,607 S \* 10/2018 Recker ..... D26/85
- D851,807 S \* 6/2019 Wu ..... D26/85
- D889,019 S \* 6/2020 Pan ..... D26/85

\* cited by examiner

*Primary Examiner* — Brian N. Vinson

(74) *Attorney, Agent, or Firm* — Banner & Witcoff, Ltd.

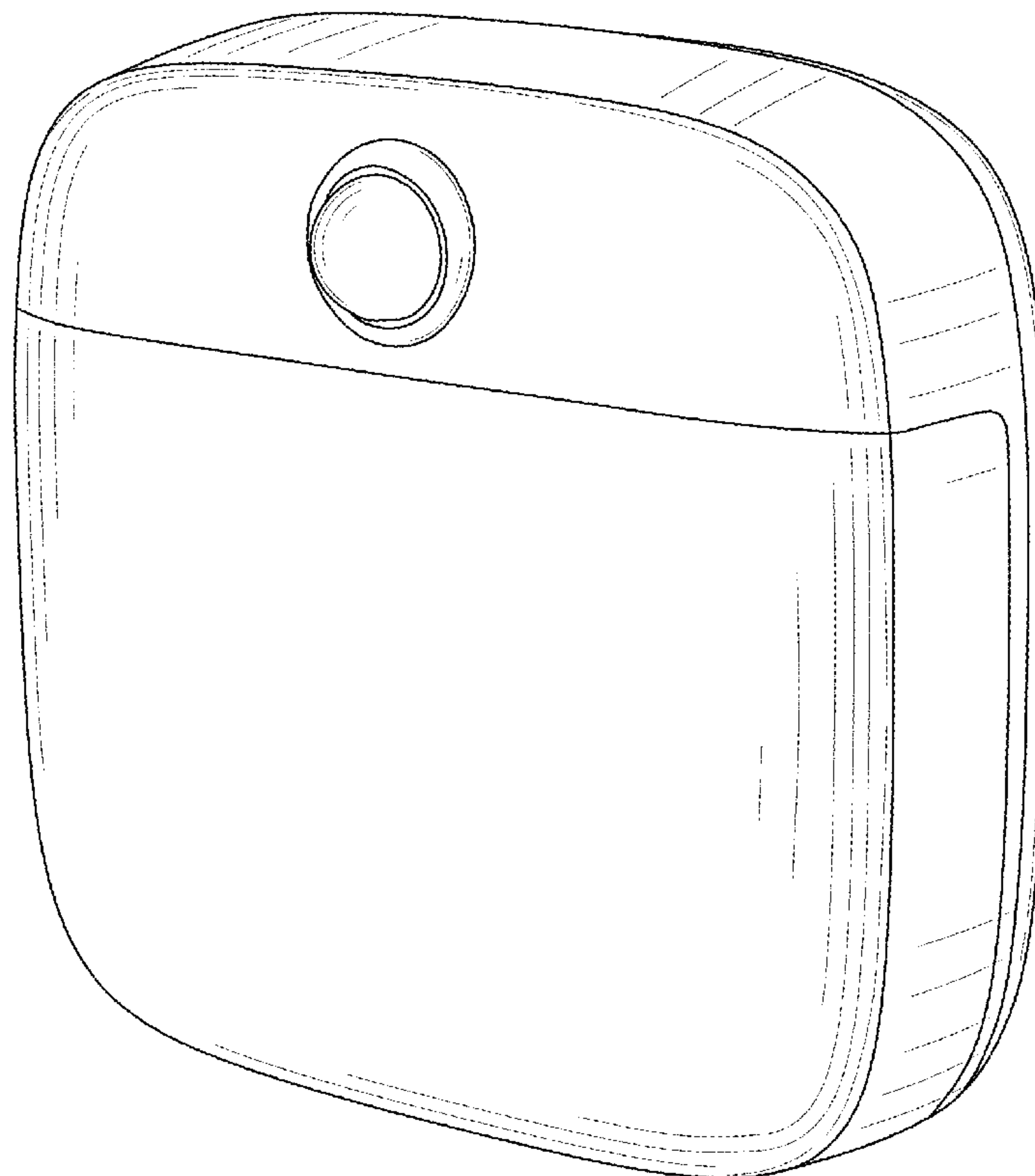
(57) **CLAIM**

The ornamental design for a light emitting device, as shown and described.

**DESCRIPTION**

FIG. 1 is a front view of a light emitting device showing my new design;  
 FIG. 2 is a rear view thereof;  
 FIG. 3 is a left side view thereof;  
 FIG. 4 is a right side view thereof;  
 FIG. 5 is top view thereof;  
 FIG. 6 is a bottom view thereof;  
 FIG. 7 is a front top perspective view thereof; and,  
 FIG. 8 is a rear bottom perspective view thereof.  
 The broken lines depicting the remainder of the light emitting device form no part of the claimed design.

**1 Claim, 8 Drawing Sheets**



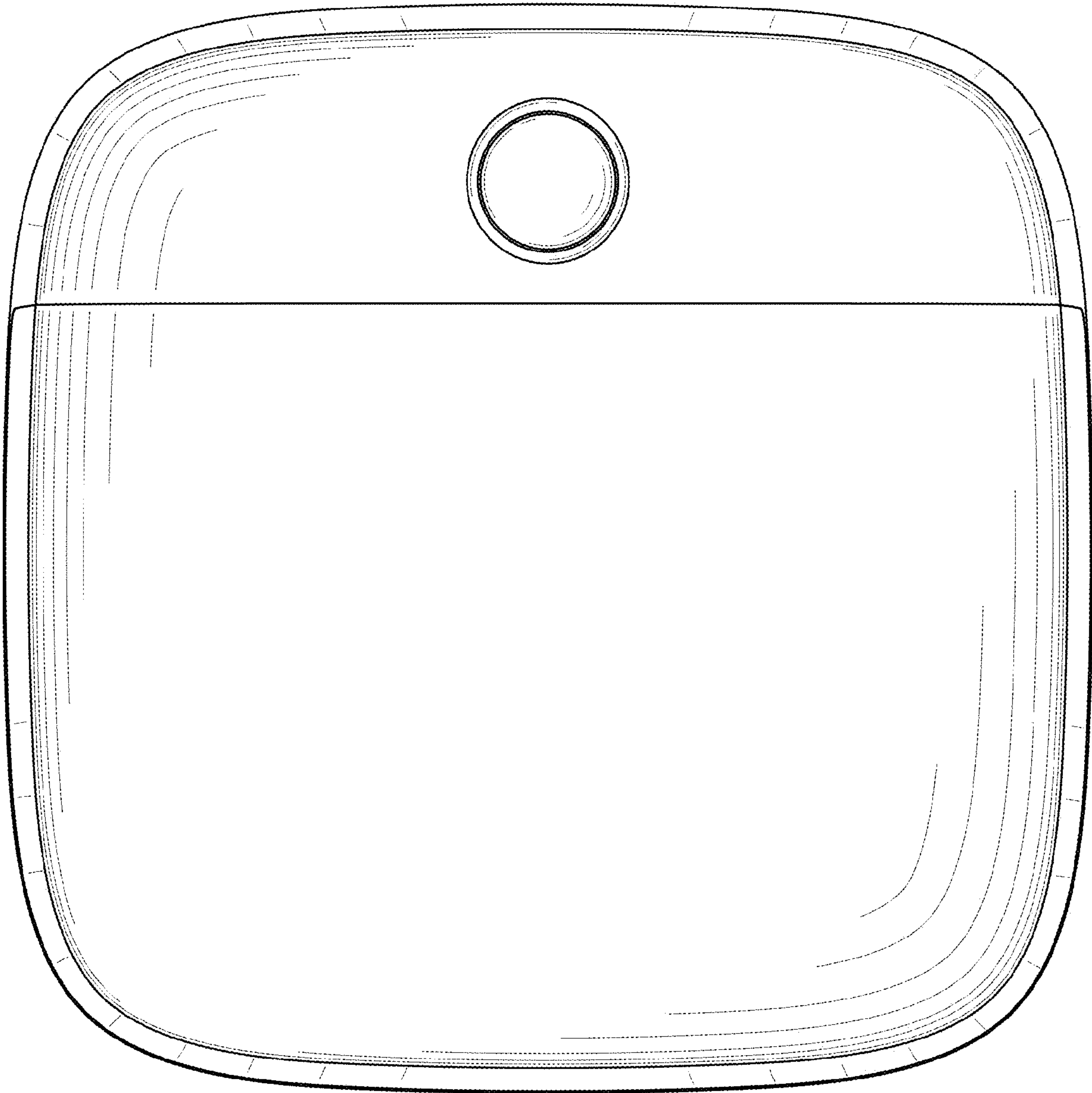


FIG. 1

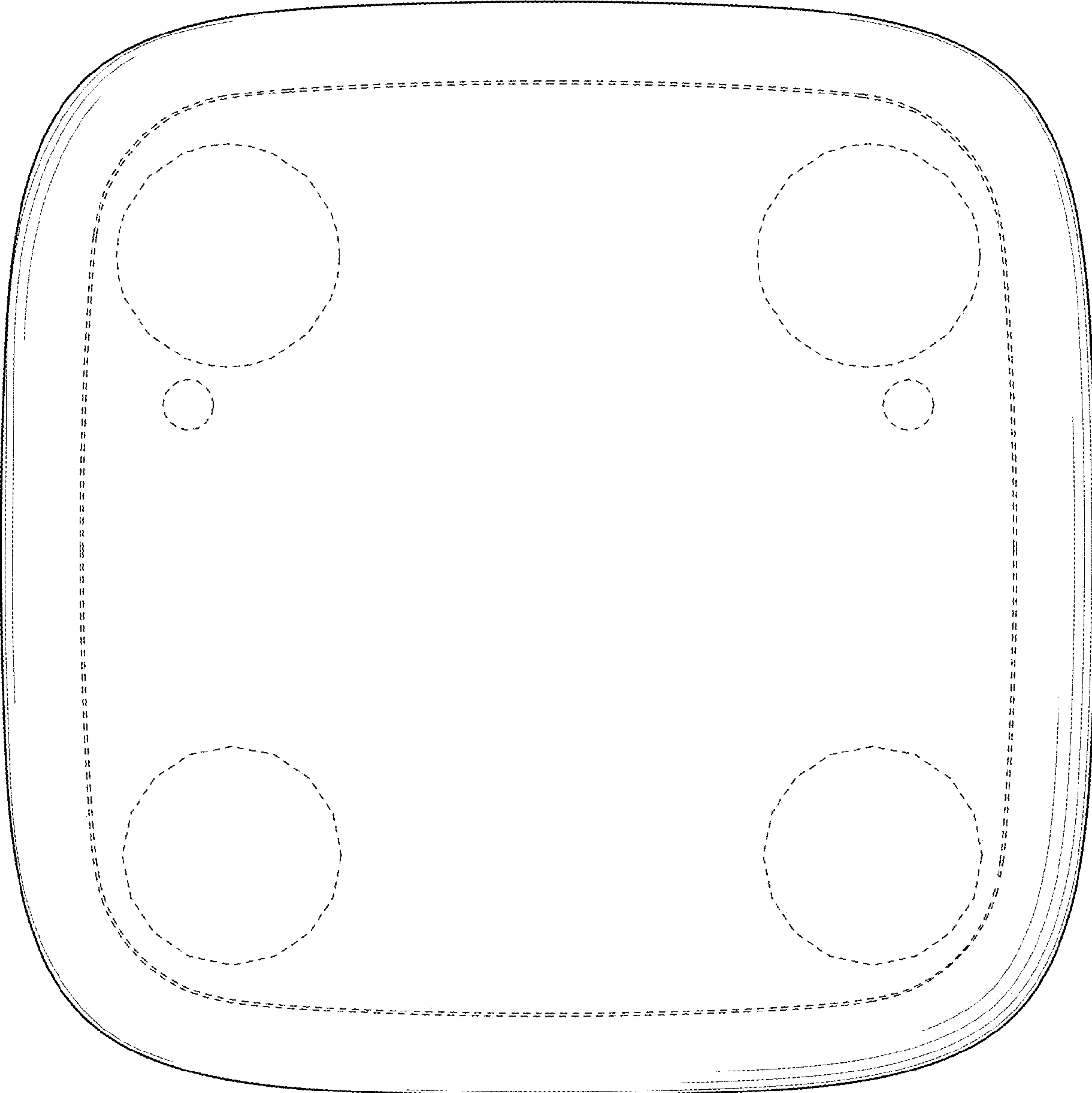


FIG. 2

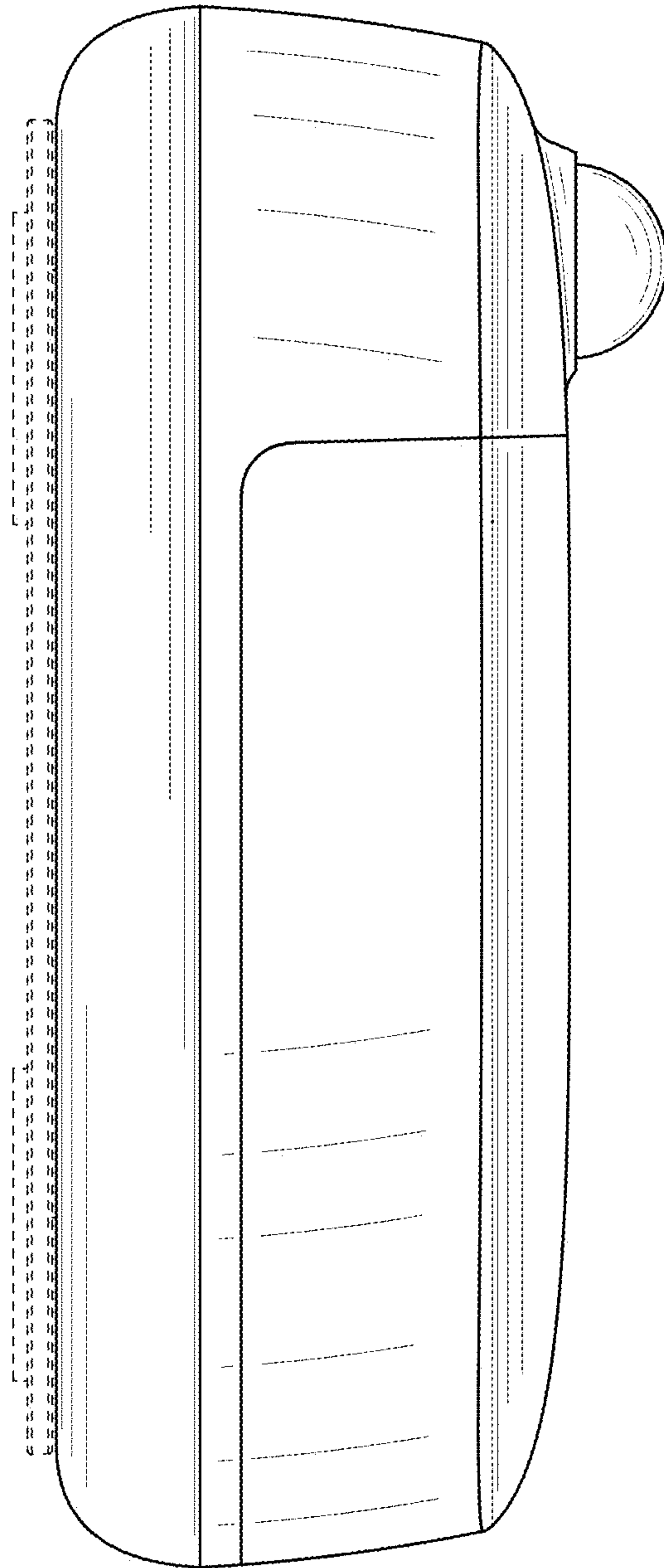


FIG. 3

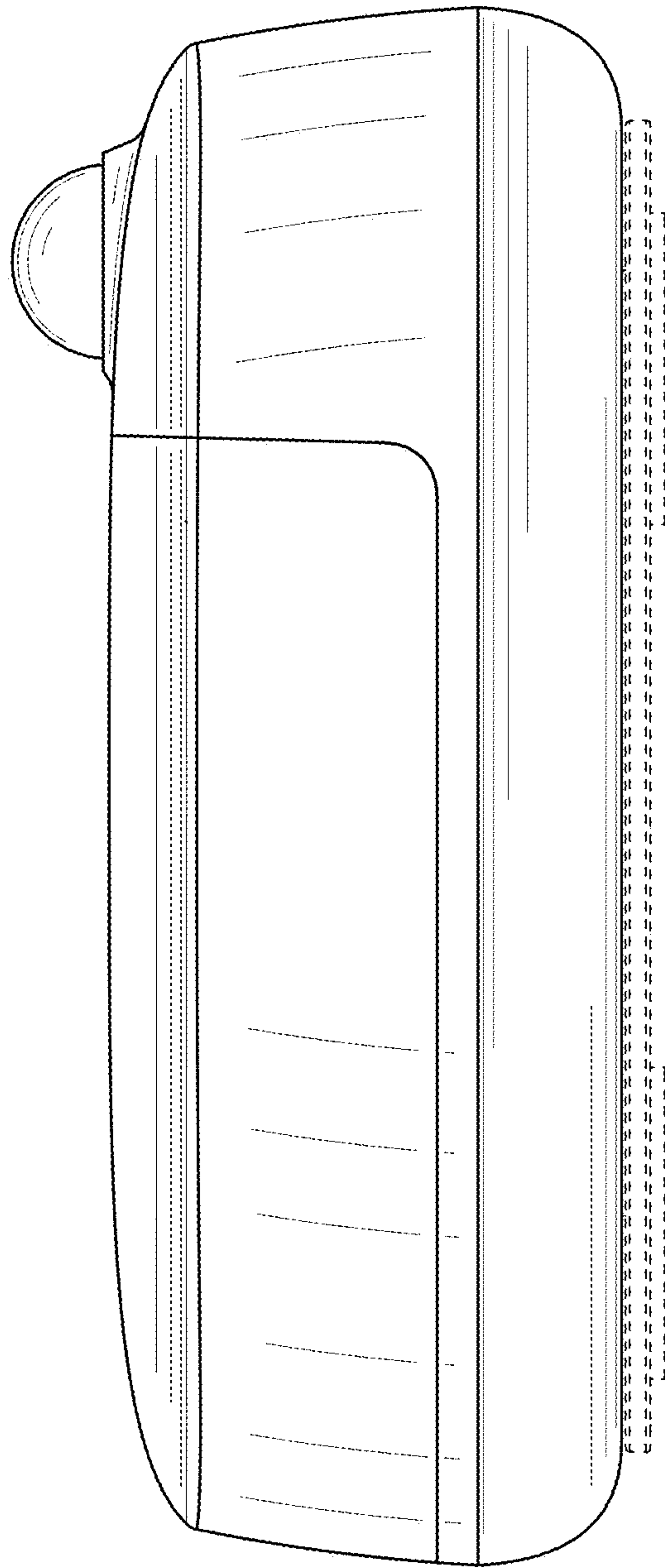


FIG. 4

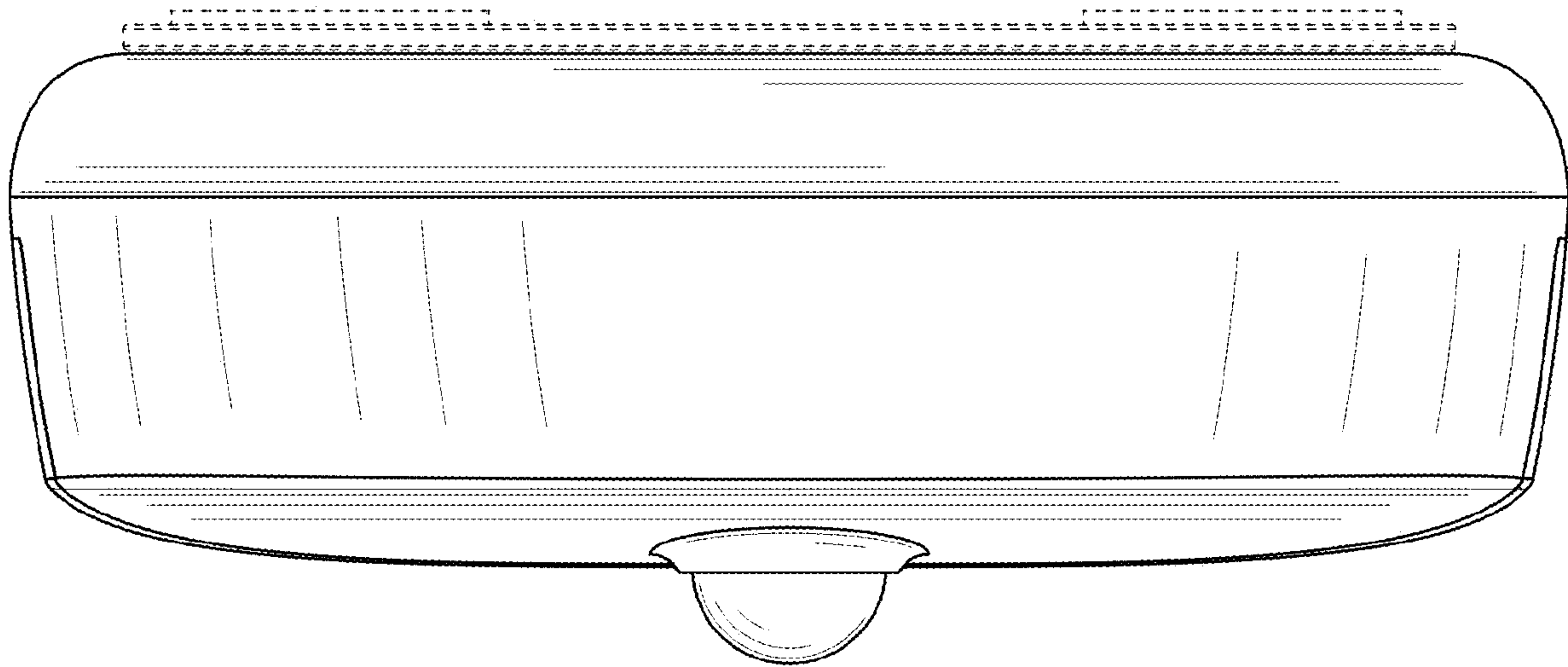


FIG. 5



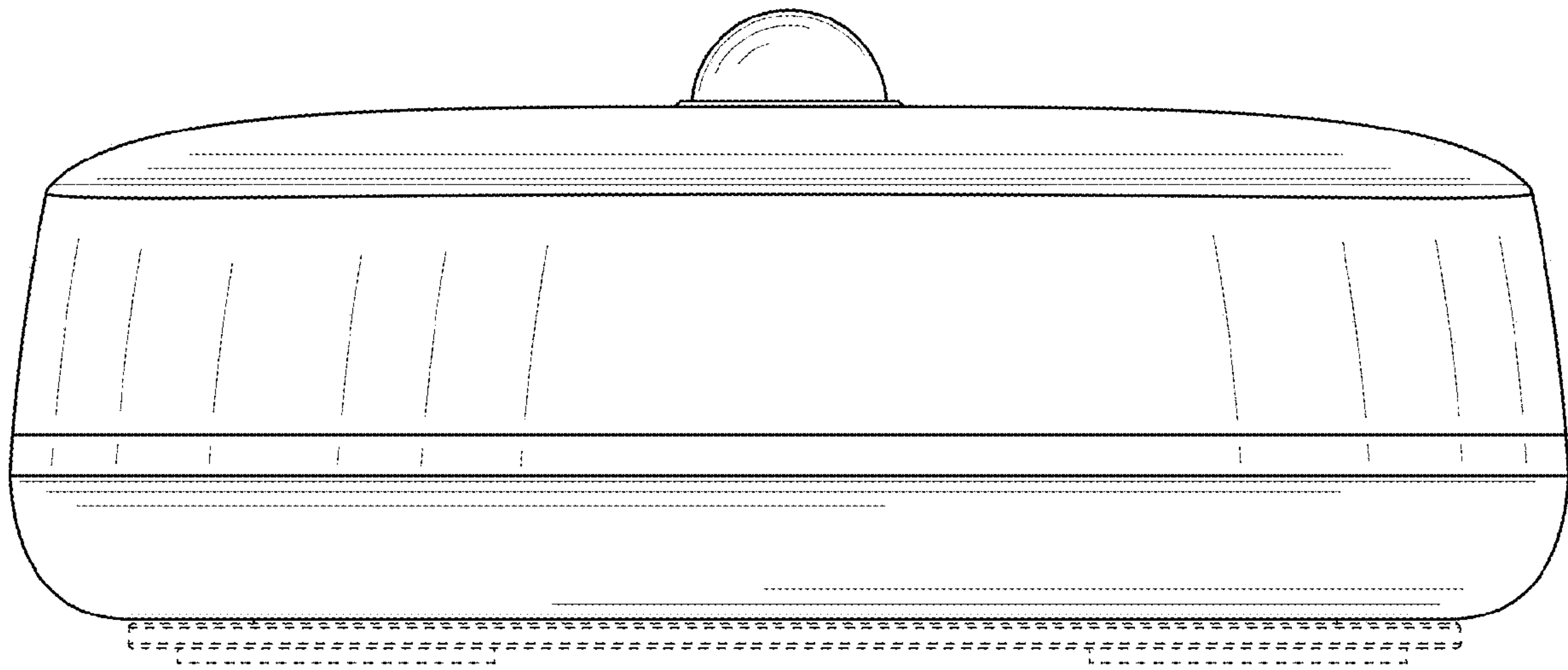


FIG. 6

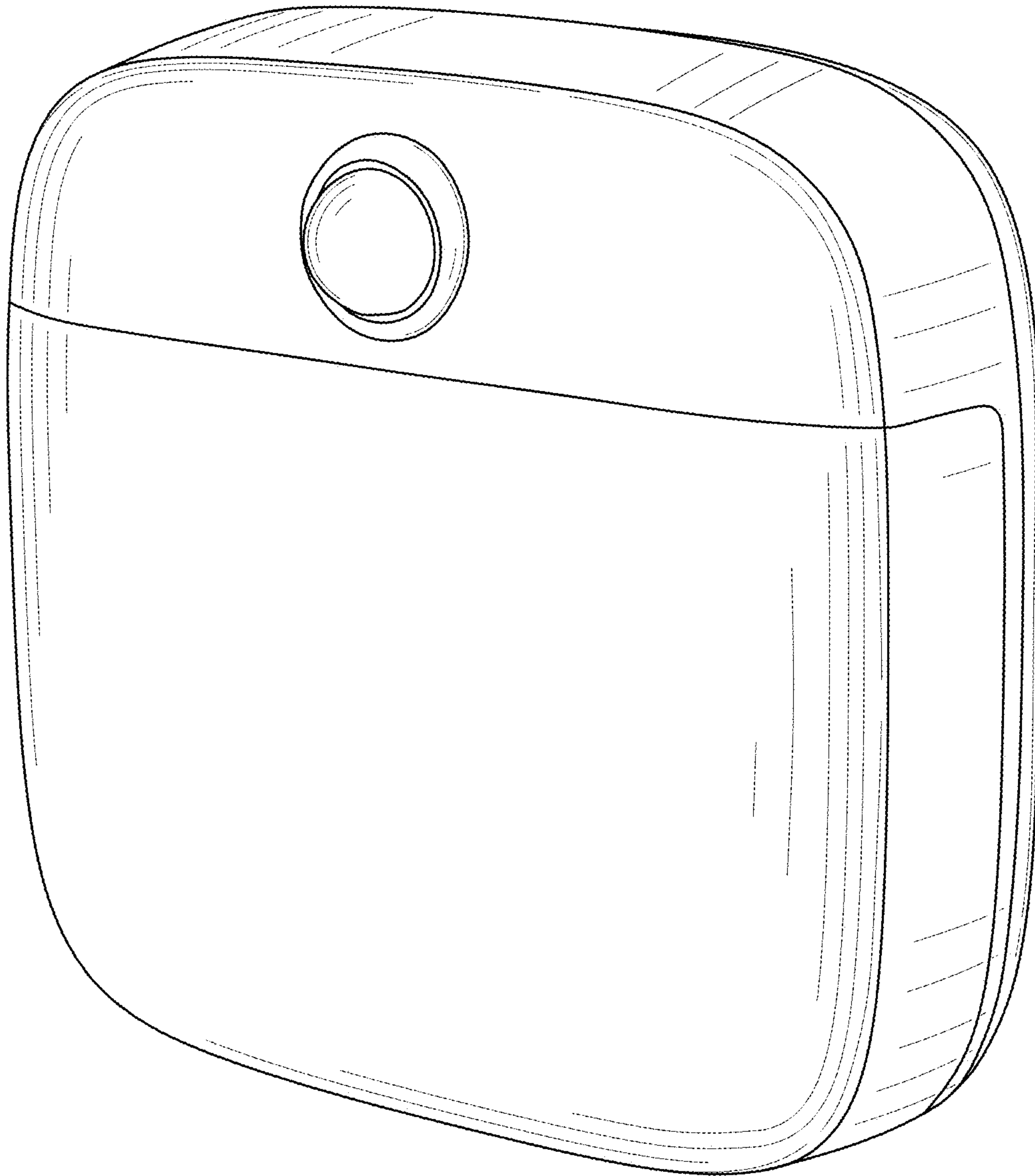


FIG. 7



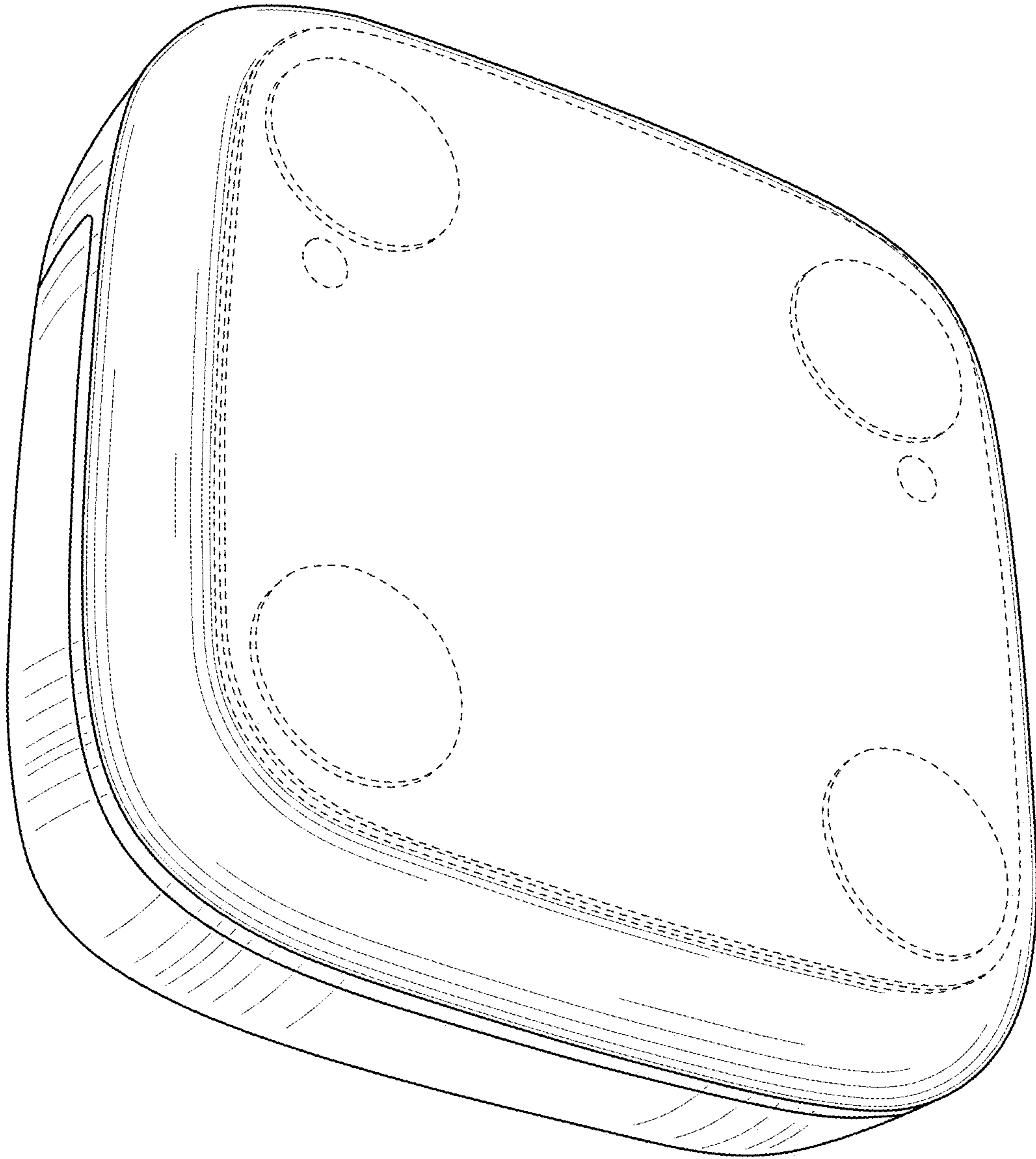


FIG. 8