



US00D921952S

(12) **United States Design Patent**  
**Zhu**

(10) **Patent No.:** **US D921,952 S**  
(45) **Date of Patent:** **\*\* Jun. 8, 2021**

(54) **SOLAR GARDEN LAMP**

(71) Applicant: **NINGHAI HENGNING ELECTRIC CO., LTD.**, Ninghai County (CN)

(72) Inventor: **Qing Zhu**, Wuhan (CN)

(\*\*) Term: **15 Years**

(21) Appl. No.: **29/749,534**

(22) Filed: **Sep. 7, 2020**

(51) **LOC (13) Cl.** ..... **26-05**

(52) **U.S. Cl.**  
USPC ..... **D26/68**

(58) **Field of Classification Search**  
USPC ..... D26/67-72, 85  
CPC .. F21S 8/022; F21S 8/032; F21S 8/036; F21S 8/081; F21S 8/083; F21S 8/088; F21S 9/037; F21V 21/0824; F21W 2111/02; F21W 2111/023; F21W 2131/109

See application file for complete search history.

(56) **References Cited**

**U.S. PATENT DOCUMENTS**

D37,278 S *	12/1904	Selling	.....	D26/2
D169,798 S *	6/1953	Anthony	.....	D26/67
D226,129 S *	1/1973	Donato	.....	D26/68
D254,875 S *	4/1980	Stekelberg	.....	D26/24
D605,325 S *	12/2009	Sanoner	.....	D26/68
D605,808 S *	12/2009	Sanoner	.....	D26/68
7,661,838 B2 *	2/2010	Chen	.....	F21S 4/10 362/183
D636,517 S *	4/2011	Robinson	.....	D26/67
D638,969 S *	5/2011	Chen	.....	D26/67

D640,406 S *	6/2011	Harshaw	.....	D26/67
8,262,245 B1 *	9/2012	Richmond	.....	F21V 21/0824 362/183
D774,232 S *	12/2016	Nankil	.....	D26/67
2010/0149804 A1 *	6/2010	Abdelsamed	.....	F21S 8/088 362/235

**OTHER PUBLICATIONS**

Twinkle Colour Changing Star Solar Pathway Lights ASIN: B088THVF41, available at amazon.com May 18, 2020. (Year: 2020).\*

\* cited by examiner

*Primary Examiner* — Clare E Heflin

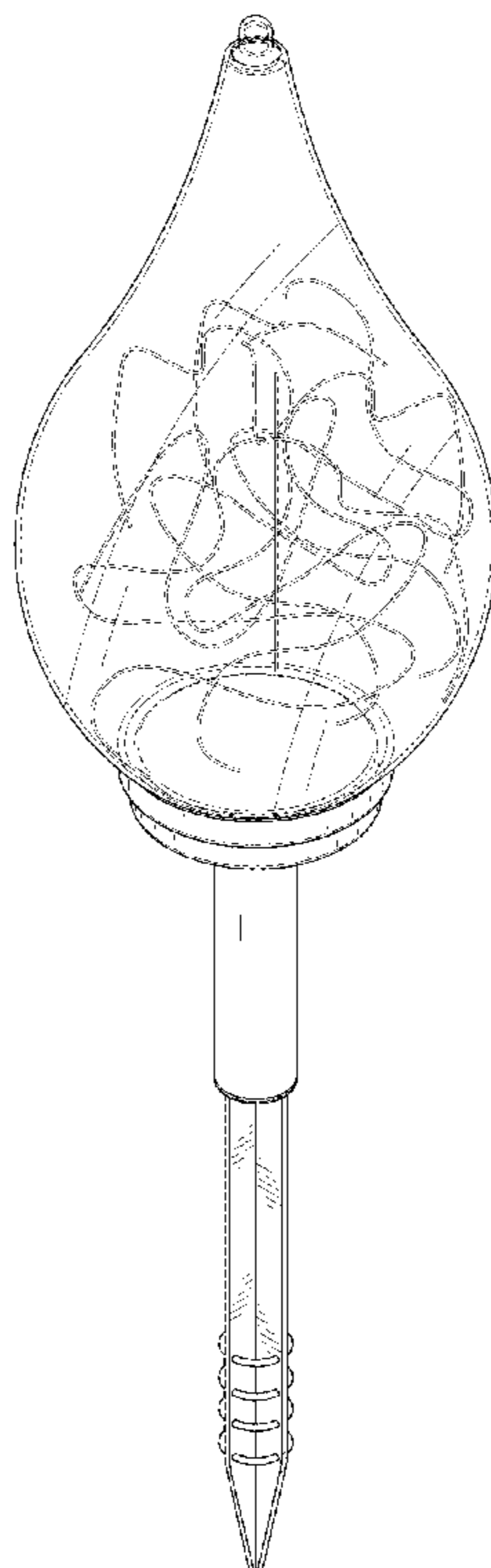
(57) **CLAIM**

The ornamental design for a solar garden lamp, as shown and described.

**DESCRIPTION**

FIG. 1 is a front and top perspective view of a solar garden lamp, showing my new design;  
FIG. 2 is a rear and bottom perspective view thereof;  
FIG. 3 is a front elevational view thereof;  
FIG. 4 is a rear elevational view thereof;  
FIG. 5 is a left side elevational view thereof;  
FIG. 6 is a right side elevational view thereof;  
FIG. 7 is a top plan view thereof; and,  
FIG. 8 is a bottom plan view thereof.  
The broken lines in the figures illustrate portions of the article that form no part of the claimed design.

**1 Claim, 8 Drawing Sheets**



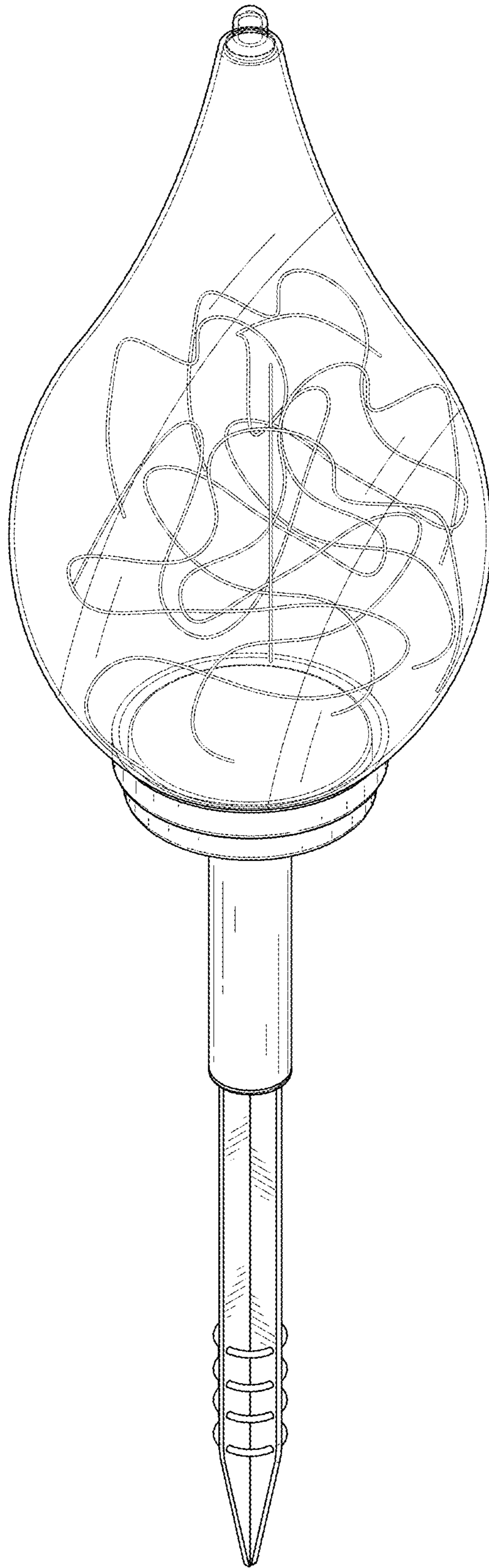


FIG. 1

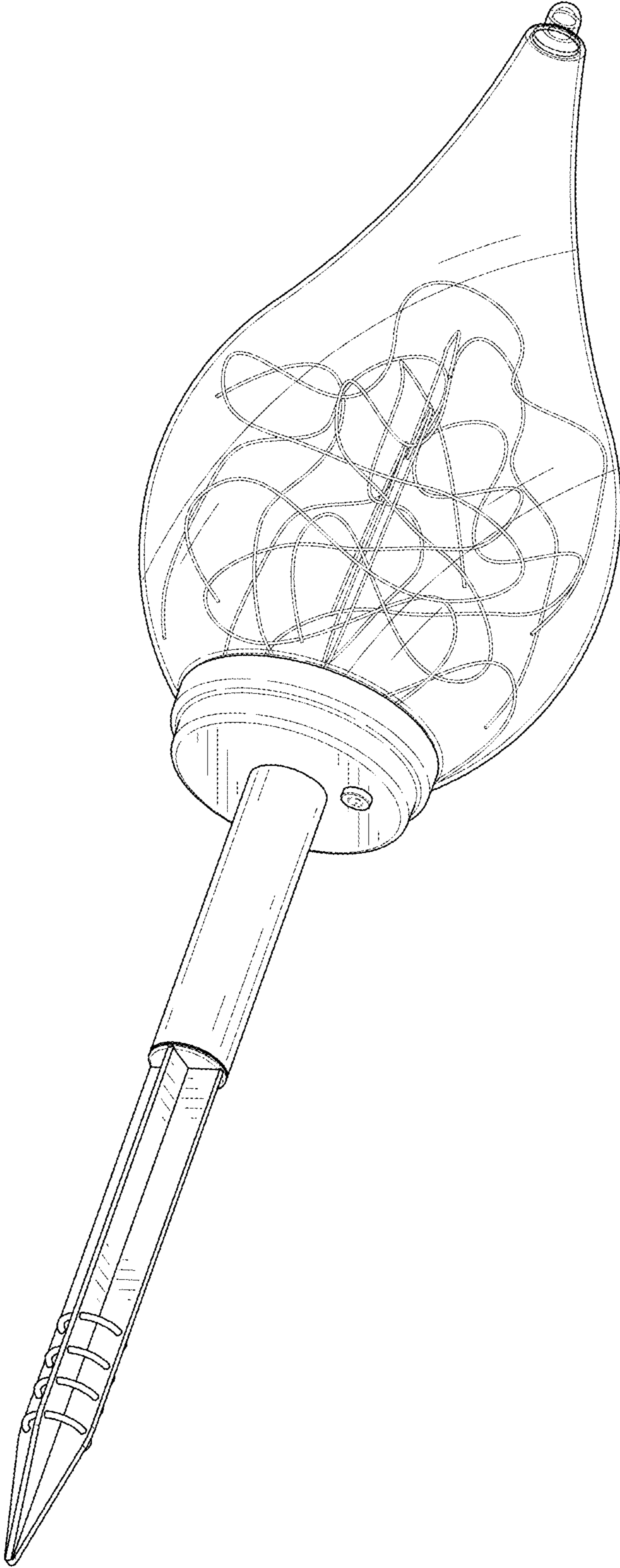


FIG. 2

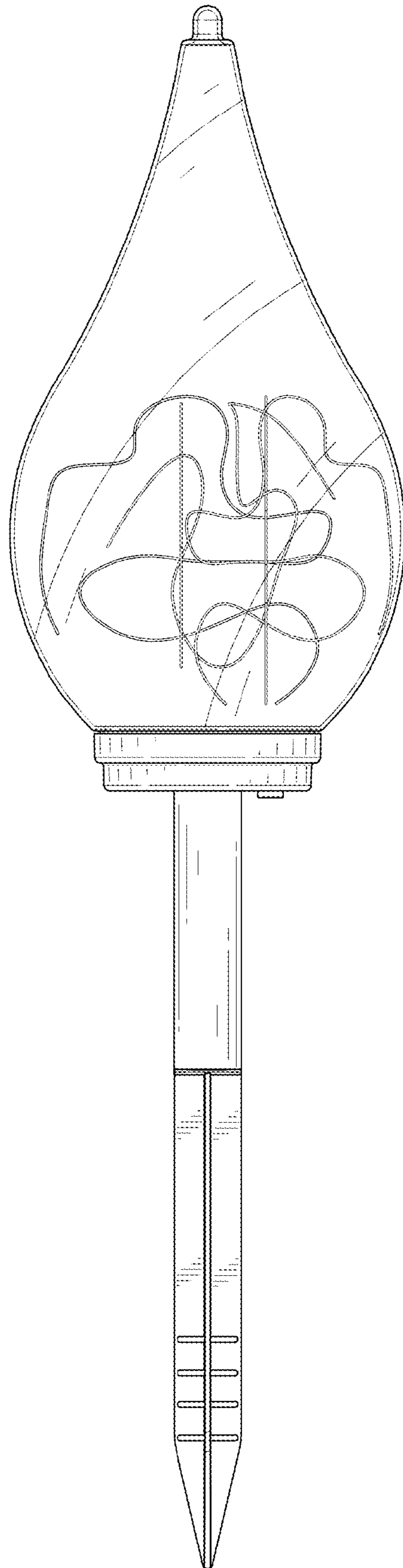


FIG. 3

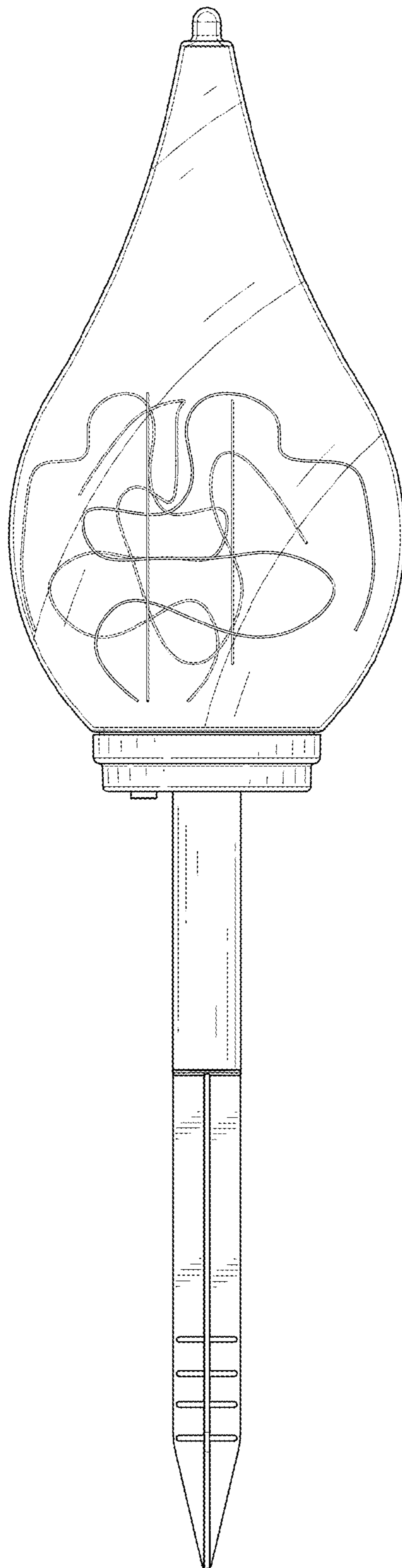


FIG. 4



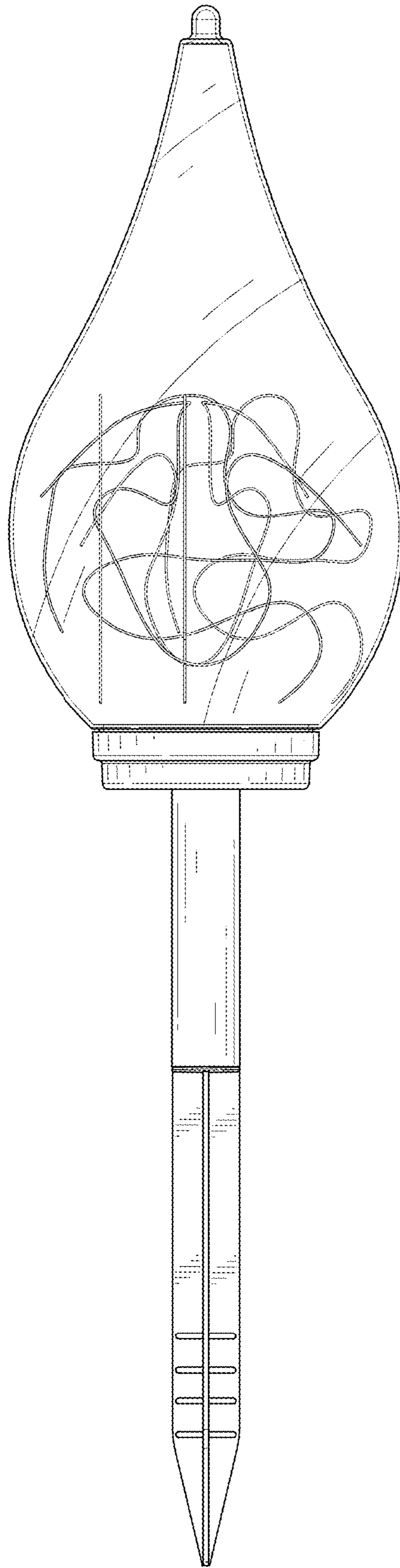


FIG. 5

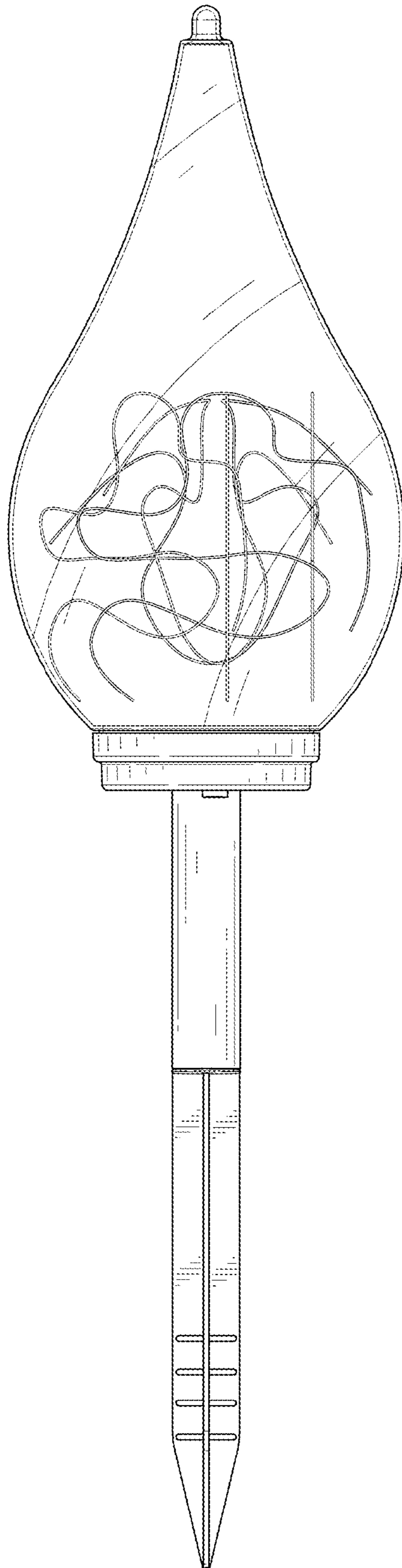


FIG. 6

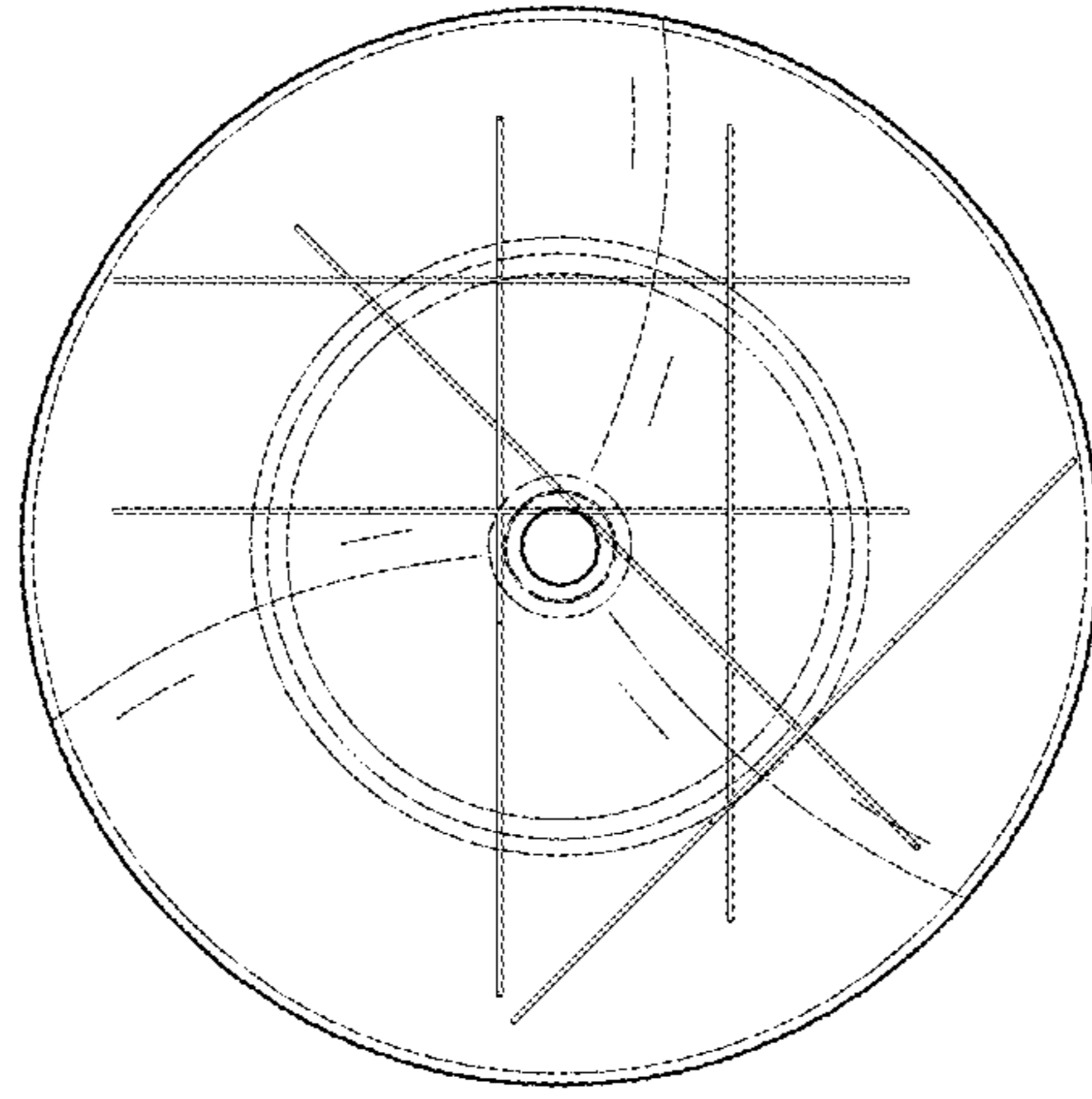


FIG. 7



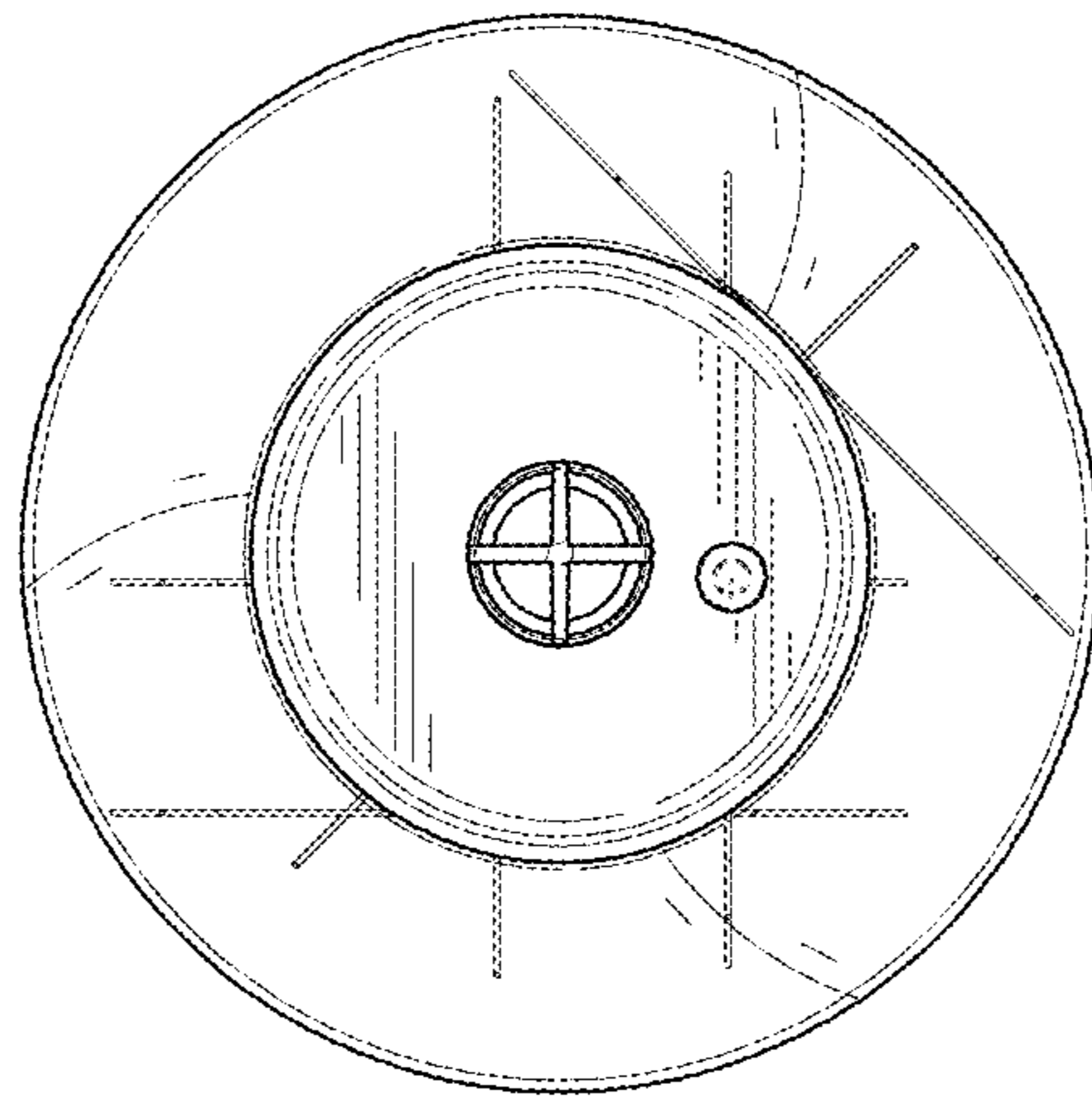


FIG. 8