



US00D921951S

(12) **United States Design Patent**  
**Fu**

(10) **Patent No.:** **US D921,951 S**  
(45) **Date of Patent:** **\*\* Jun. 8, 2021**

(54) **SOLAR LIGHT**

(71) Applicant: **Chuanqi Fu**, Fuzhou (CN)

(72) Inventor: **Chuanqi Fu**, Fuzhou (CN)

(\*\*) Term: **15 Years**

(21) Appl. No.: **29/752,240**

(22) Filed: **Sep. 25, 2020**

(51) **LOC (13) Cl.** ..... **26-03**

(52) **U.S. Cl.**  
USPC ..... **D26/63**

(58) **Field of Classification Search**

USPC ..... D26/61, 63, 64, 118, 120  
CPC ..... F21V 17/02; F21V 21/08; F21V 21/26;  
F21V 21/06; F21V 21/00; F21W 2131/30;  
F21W 2131/10; F21S 8/04; F21S 6/003;  
F21S 8/003; F21S 8/00; F21F 6/00  
See application file for complete search history.

(56) **References Cited**

**U.S. PATENT DOCUMENTS**

D834,736 S	11/2018	Liu	
D857,962 S *	8/2019	Zhang	..... D26/63
D862,758 S *	10/2019	Zhu	..... D26/63
10,683,985 B2 *	6/2020	Paredes	..... F21V 17/02
D892,380 S	8/2020	Yan	

2019/0212003 A1\* 7/2019 Lazear ..... F21V 21/30

\* cited by examiner

*Primary Examiner* — Brian N. Vinson

(74) *Attorney, Agent, or Firm* — ScienBiziP, P.C.

(57) **CLAIM**

The ornamental design for a solar light, as shown and described.

**DESCRIPTION**

FIG. 1 is a front perspective view of a solar light, showing my design.

FIG. 2 is a rear perspective view thereof.

FIG. 3 is a front elevation view thereof.

FIG. 4 is a rear elevation view thereof.

FIG. 5 is a left side elevation thereof.

FIG. 6 is a right side elevation thereof.

FIG. 7 is a top plan view thereof.

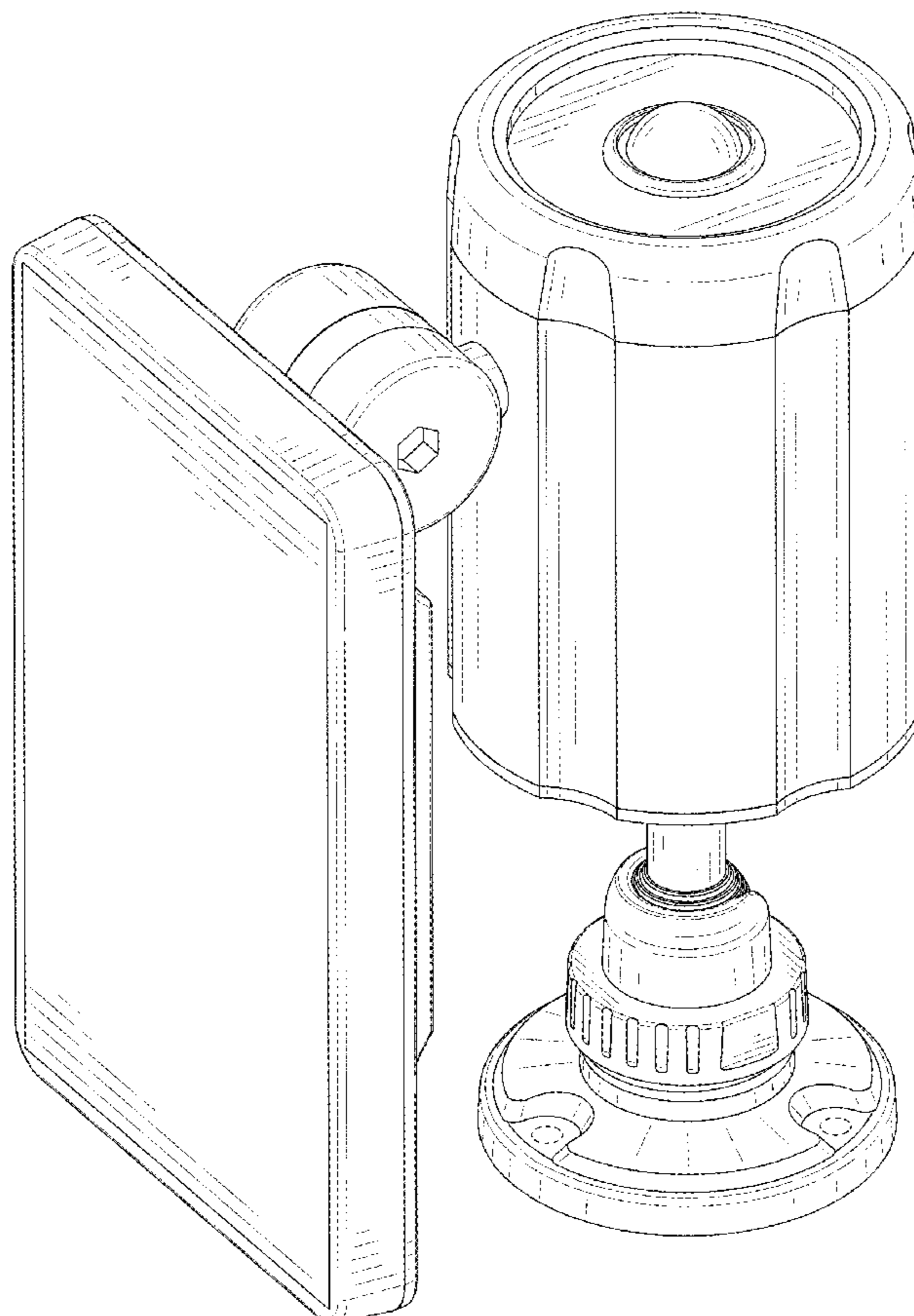
FIG. 8 is a bottom plan view thereof.

FIG. 9 is an enlarged view of an area labeled 9 in FIG. 2; and,

FIG. 10 is an enlarged view of an area labeled 10 in FIG. 4.

The broken lines in the drawings depict environmental structure and boundaries and form no part of the claimed design.

**1 Claim, 10 Drawing Sheets**



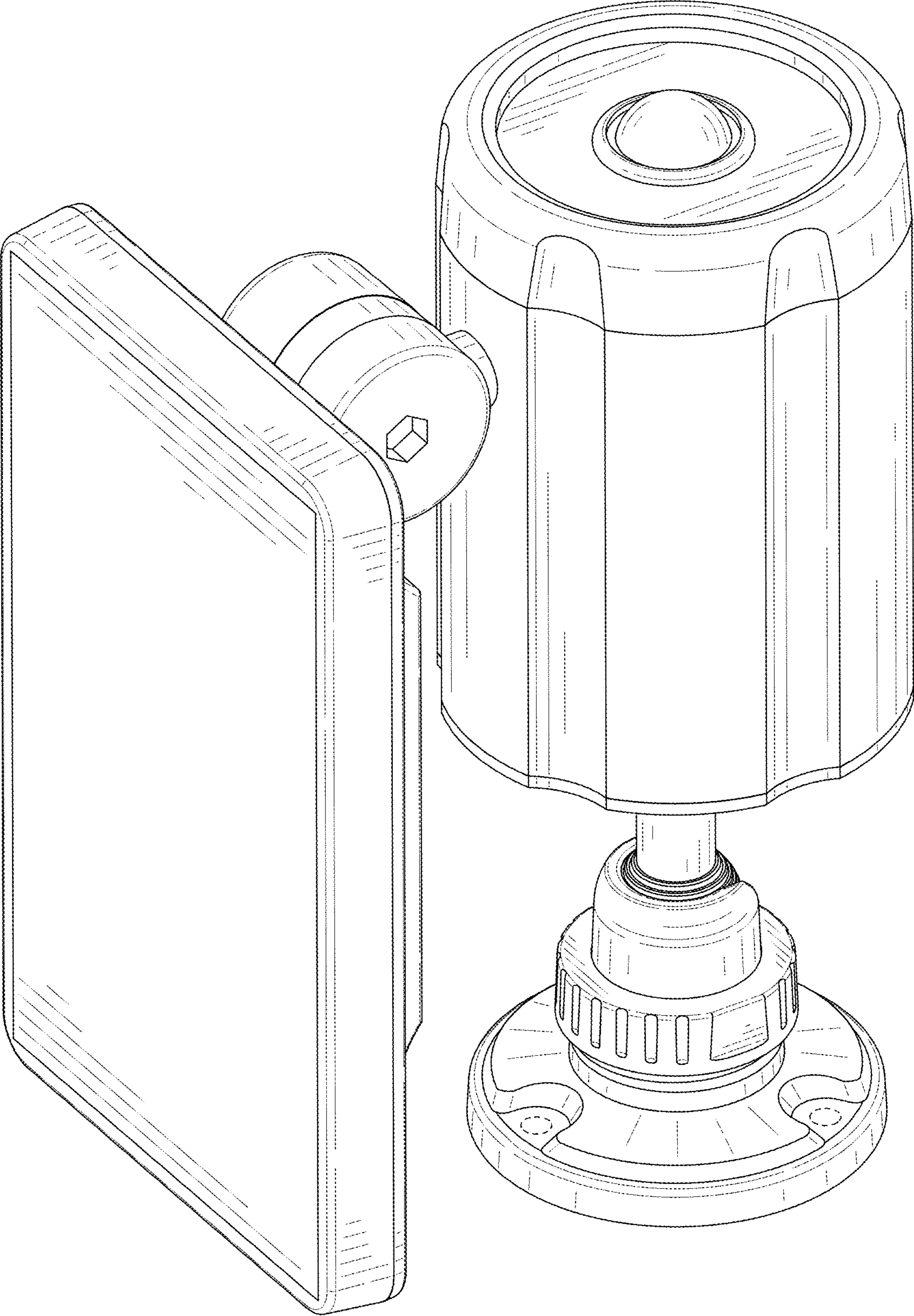


FIG. 1



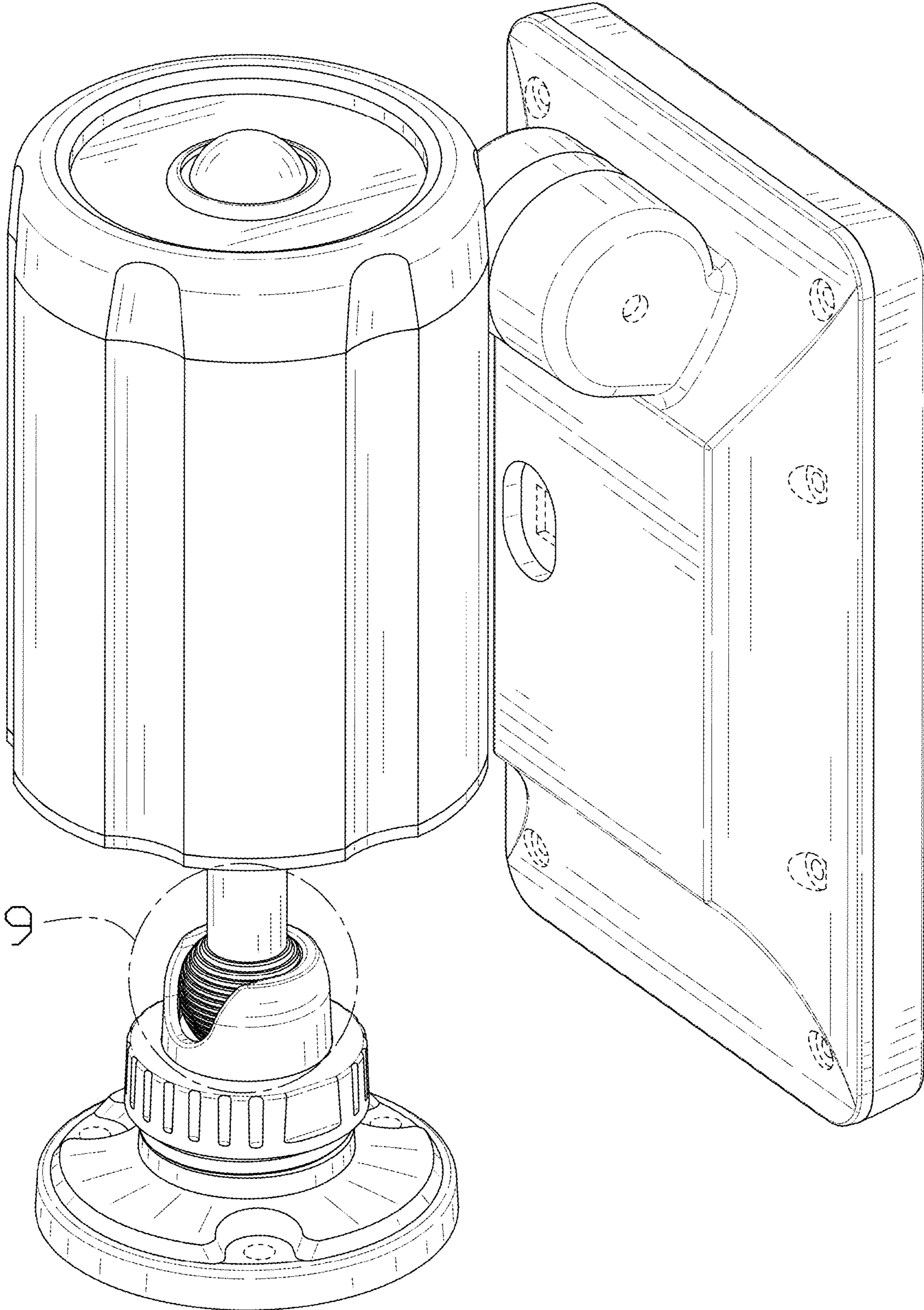


FIG. 2

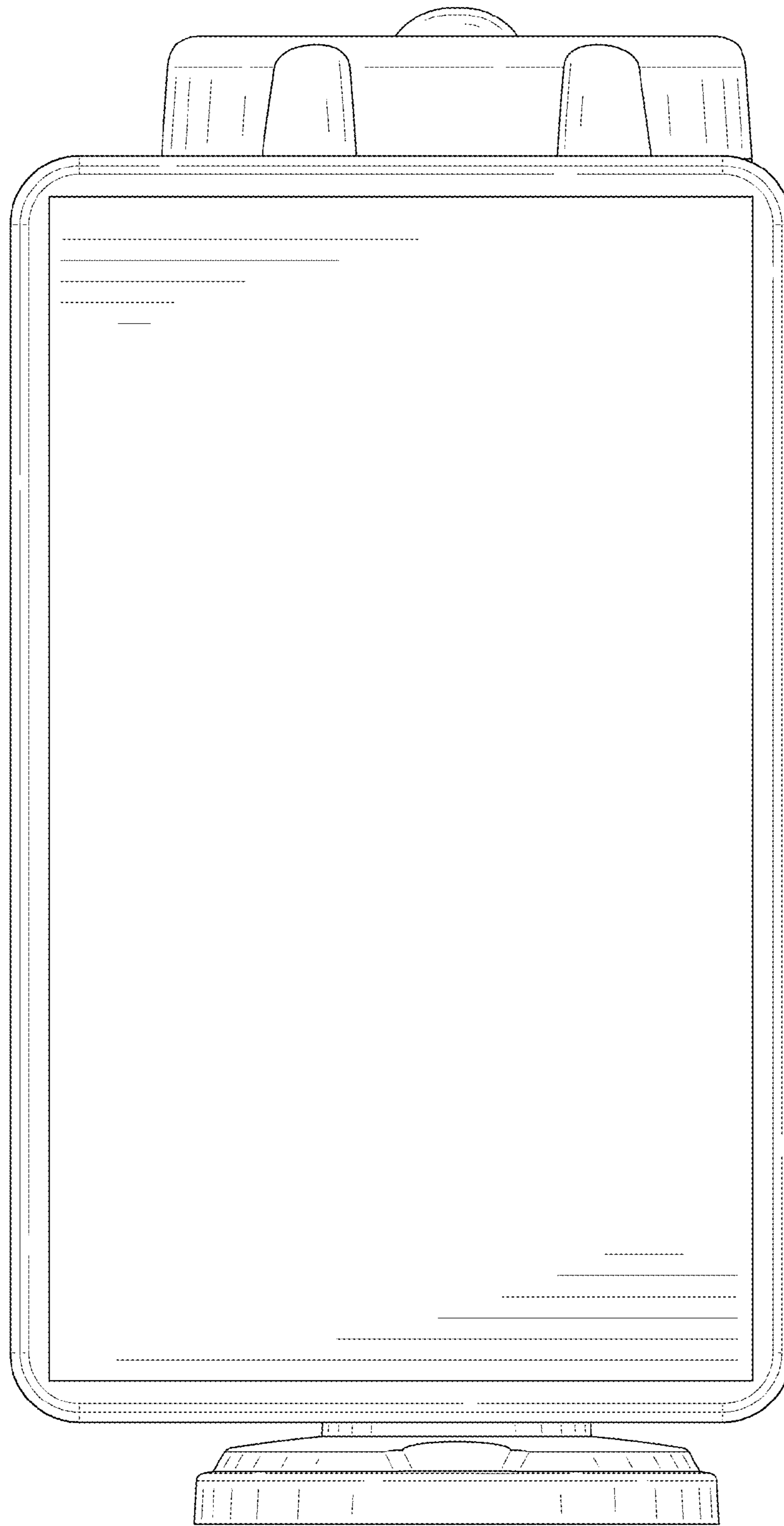


FIG. 3

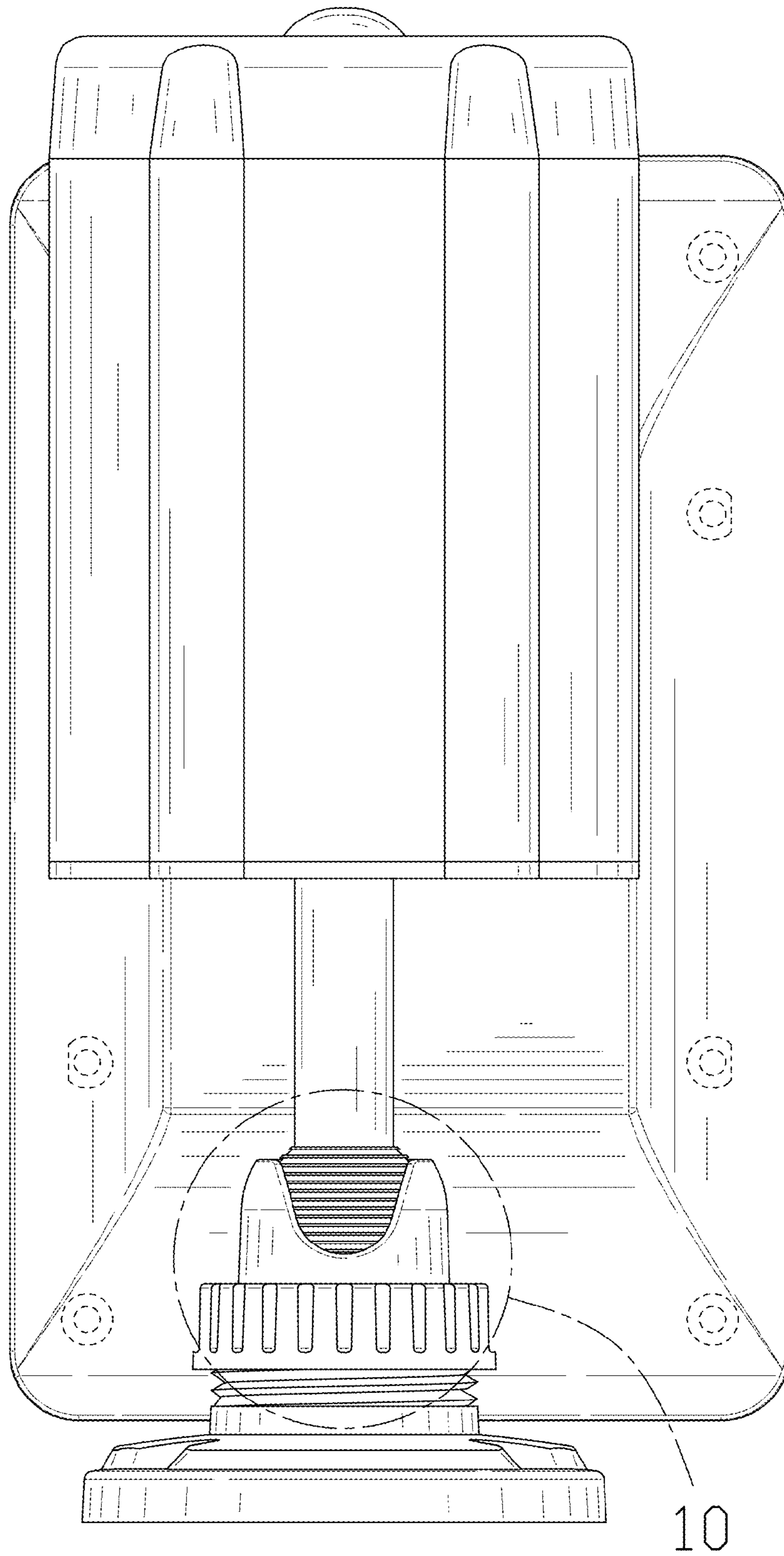


FIG. 4

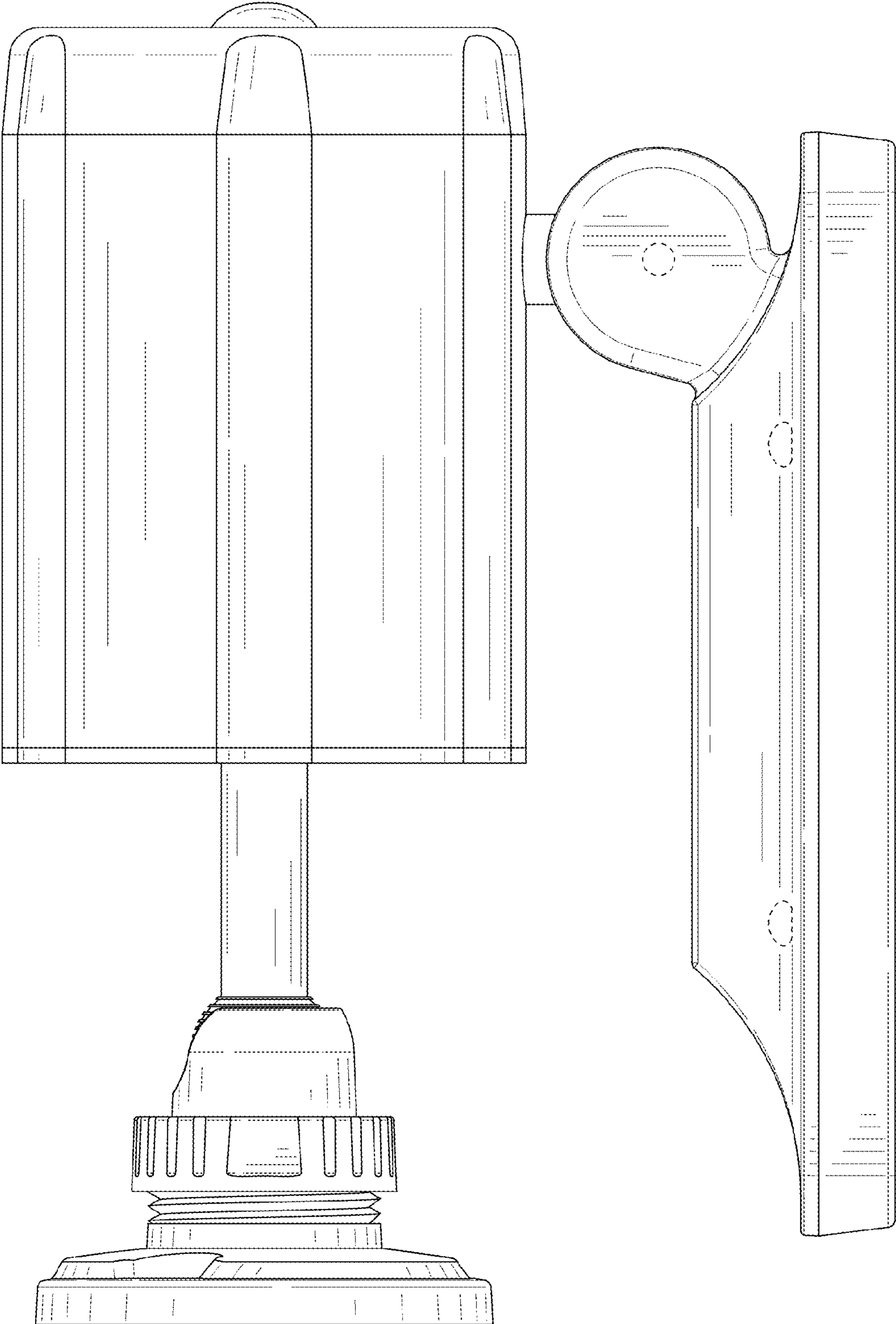


FIG. 5



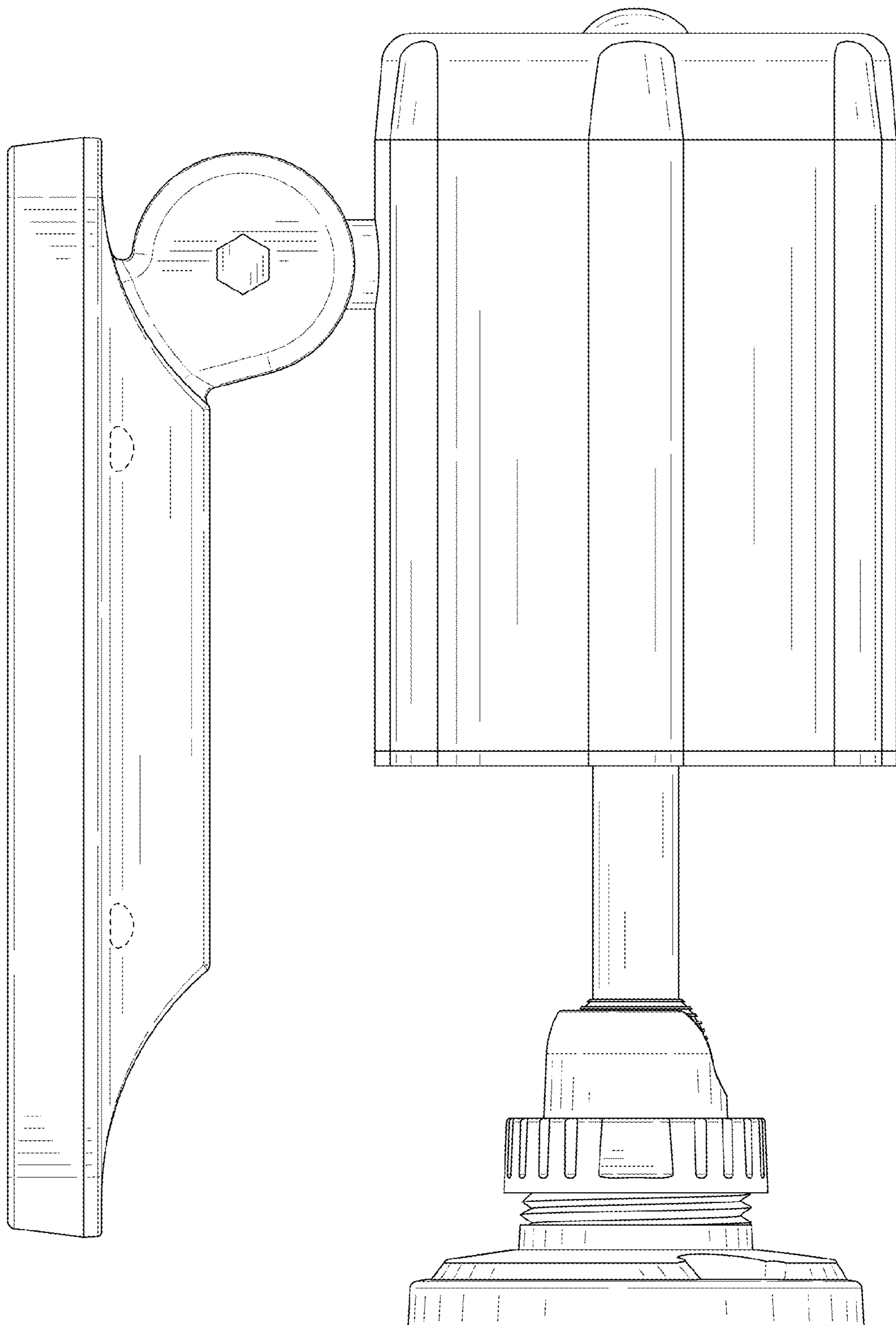


FIG. 6

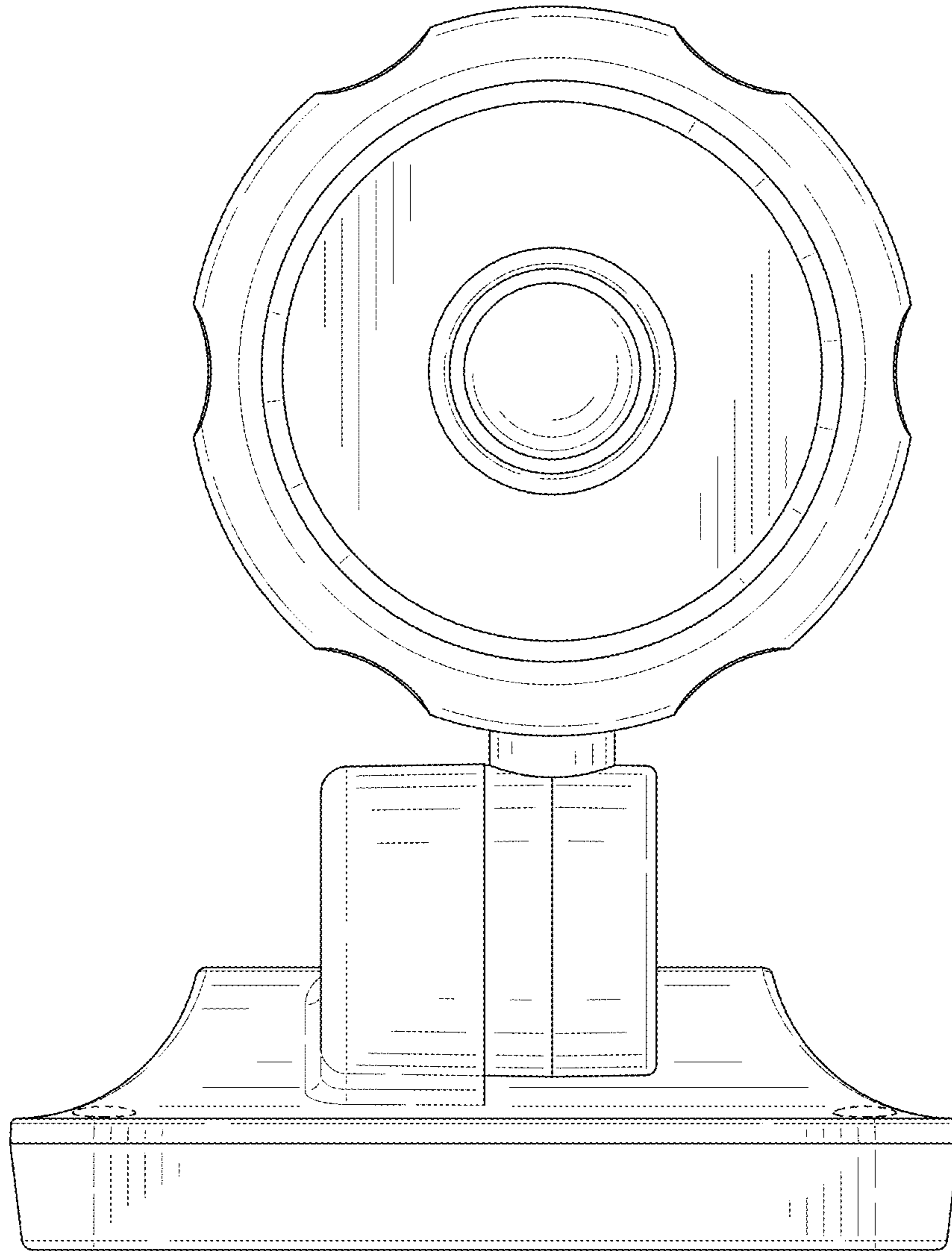


FIG. 7



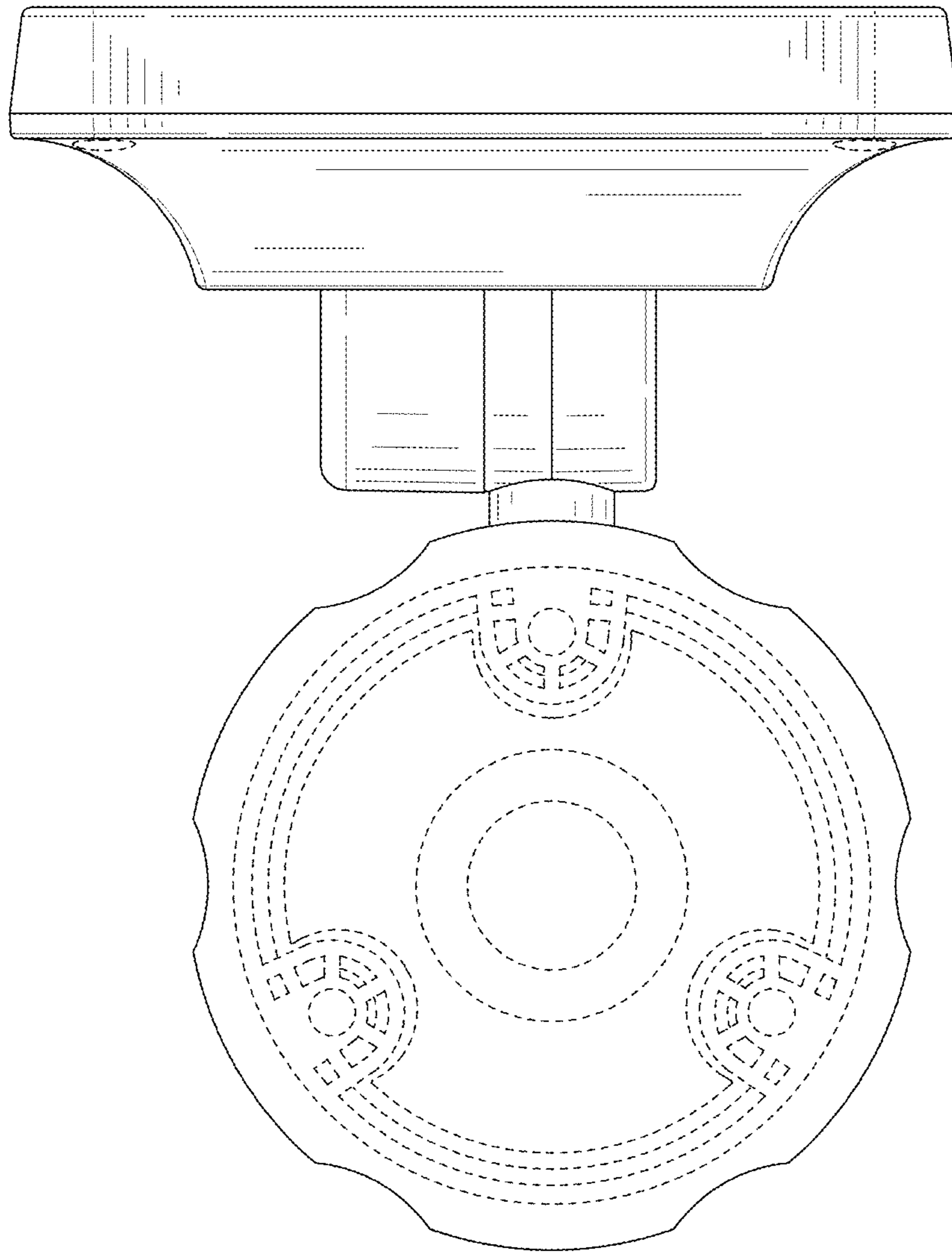


FIG. 8

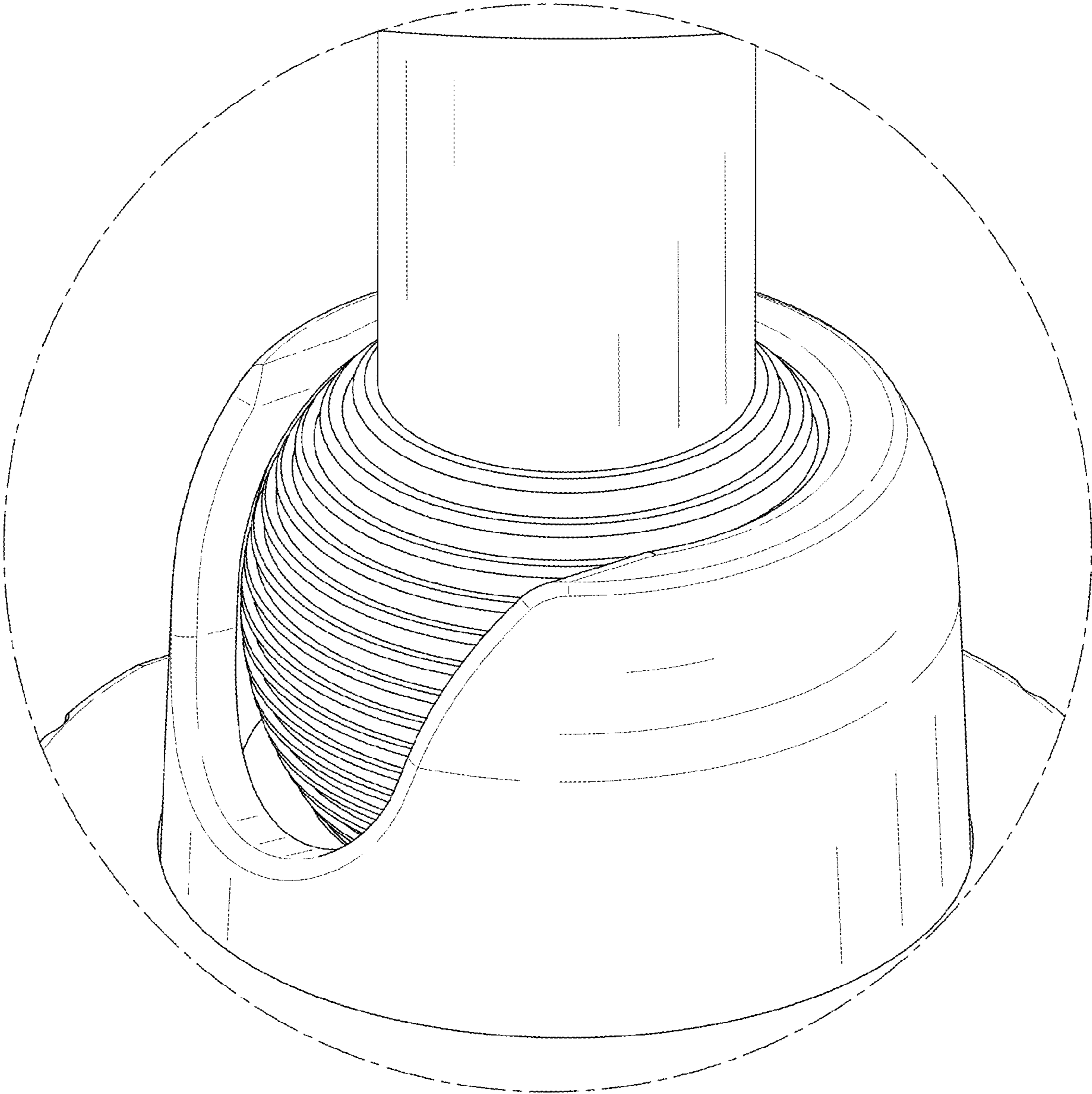


FIG. 9

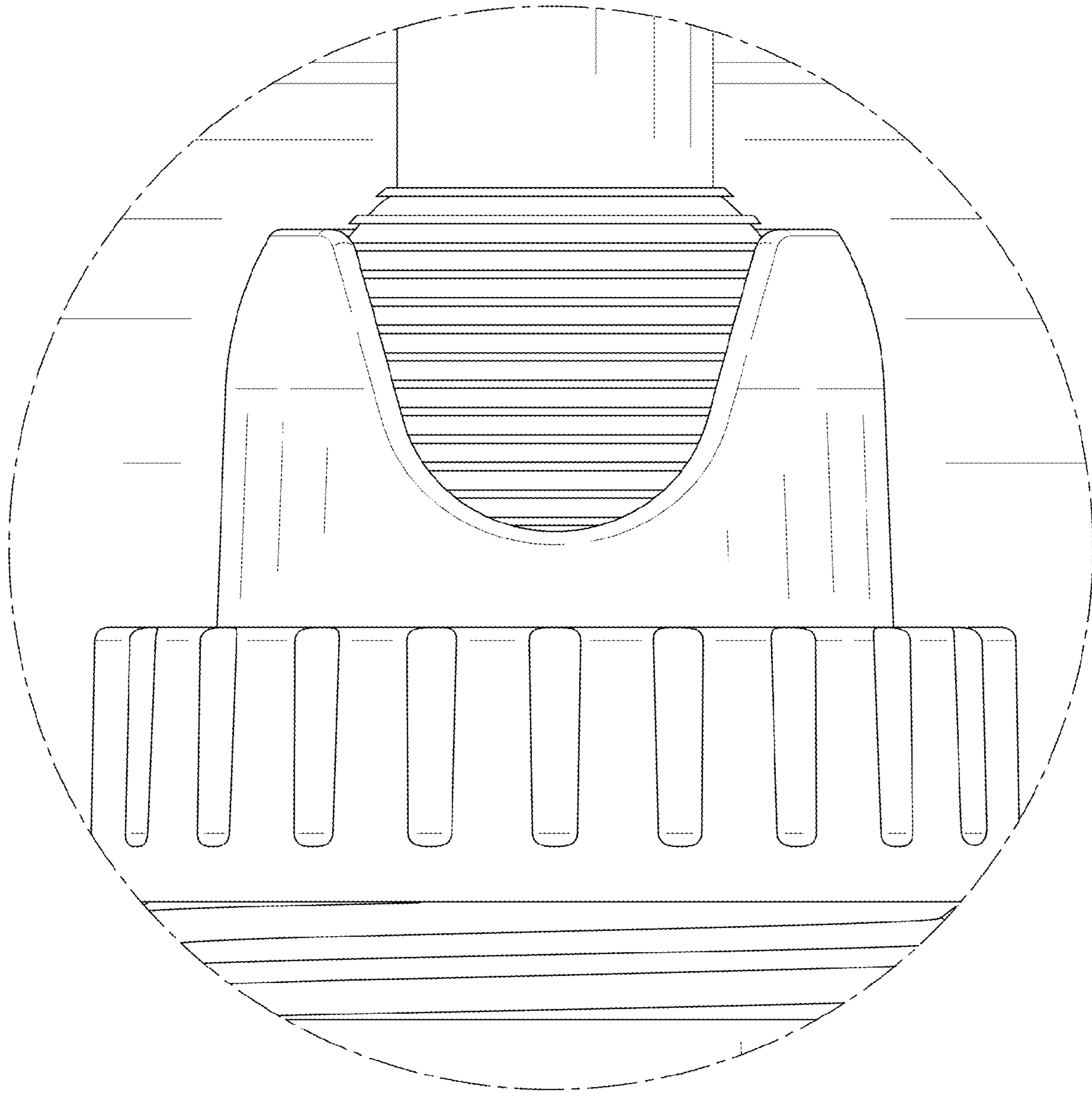


FIG. 10