



US00D921949S

(12) **United States Design Patent**  
**Lin**

(10) **Patent No.:** **US D921,949 S**  
(45) **Date of Patent:** **\*\* Jun. 8, 2021**

(54) **BICYCLE LIGHT**

(71) Applicant: **HUIZHOU HONGGUO TECHNOLOGY CO., LTD.**, Huizhou (CN)

(72) Inventor: **Xianxiong Lin**, Huizhou (CN)

(73) Assignee: **HUIZHOU HONGGUO TECHNOLOGY CO., LTD.**, Huizhou (CN)

(\*\*) Term: **15 Years**

(21) Appl. No.: **29/756,176**

(22) Filed: **Oct. 26, 2020**

(51) **LOC (13) Cl.** ..... **26-03**

(52) **U.S. Cl.**  
USPC ..... **D26/60**

(58) **Field of Classification Search**  
USPC ..... D26/60, 62  
CPC ..... F21W 2131/30; F21W 2121/00; F21V 21/0088; F21V 21/02; F21S 6/00; F21S 6/002; F21S 6/003; F21S 6/004; F21S 6/005; F21S 6/006; F21S 6/007  
See application file for complete search history.

(56) **References Cited**

**U.S. PATENT DOCUMENTS**

D609,377 S \* 2/2010 Taiga ..... D26/60  
D667,581 S 9/2012 Lee

D697,244 S \* 1/2014 McKechnie ..... D26/60  
D707,376 S 6/2014 Cheung  
D746,501 S 12/2015 Chen  
D766,480 S \* 9/2016 Bo ..... D26/60  
D768,322 S \* 10/2016 Feustel ..... D26/60  
D788,343 S \* 5/2017 Sonneman ..... D26/60  
D884,947 S \* 5/2020 Tang ..... D26/60

\* cited by examiner

*Primary Examiner* — Brian N. Vinson

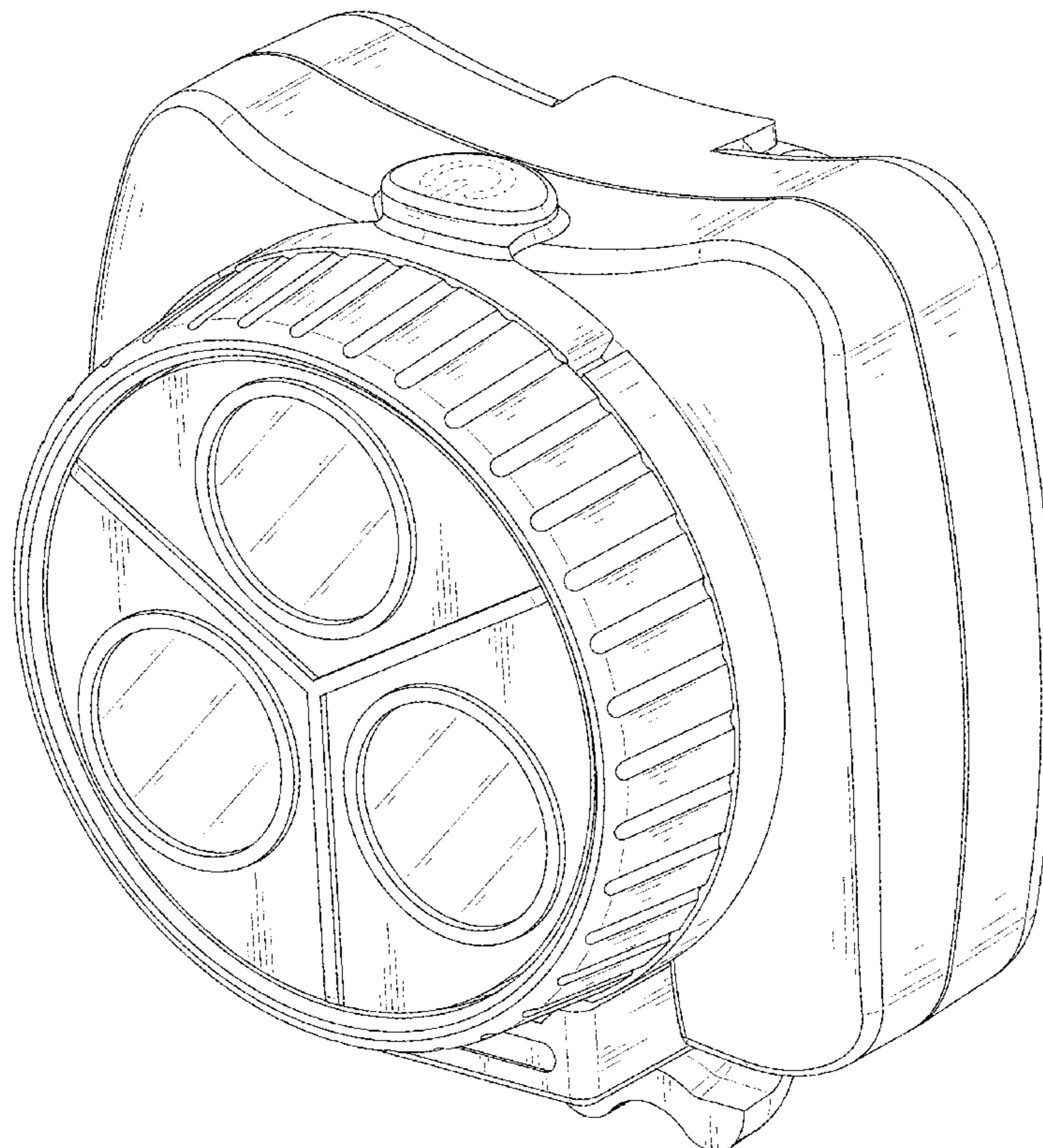
(57) **CLAIM**

The ornamental design for a bicycle light, as shown and described.

**DESCRIPTION**

FIG. 1 is a perspective view of a bicycle light showing my new design;  
FIG. 2 is another perspective view thereof;  
FIG. 3 is a front elevational view thereof;  
FIG. 4 is a rear elevational view thereof;  
FIG. 5 is a left side elevational view thereof;  
FIG. 6 is a right side elevational view thereof;  
FIG. 7 is a top plan view thereof; and,  
FIG. 8 is a bottom plan view thereof.  
The broken lines in the drawings depict portions of the bicycle light that form no part of the claimed design.

**1 Claim, 8 Drawing Sheets**



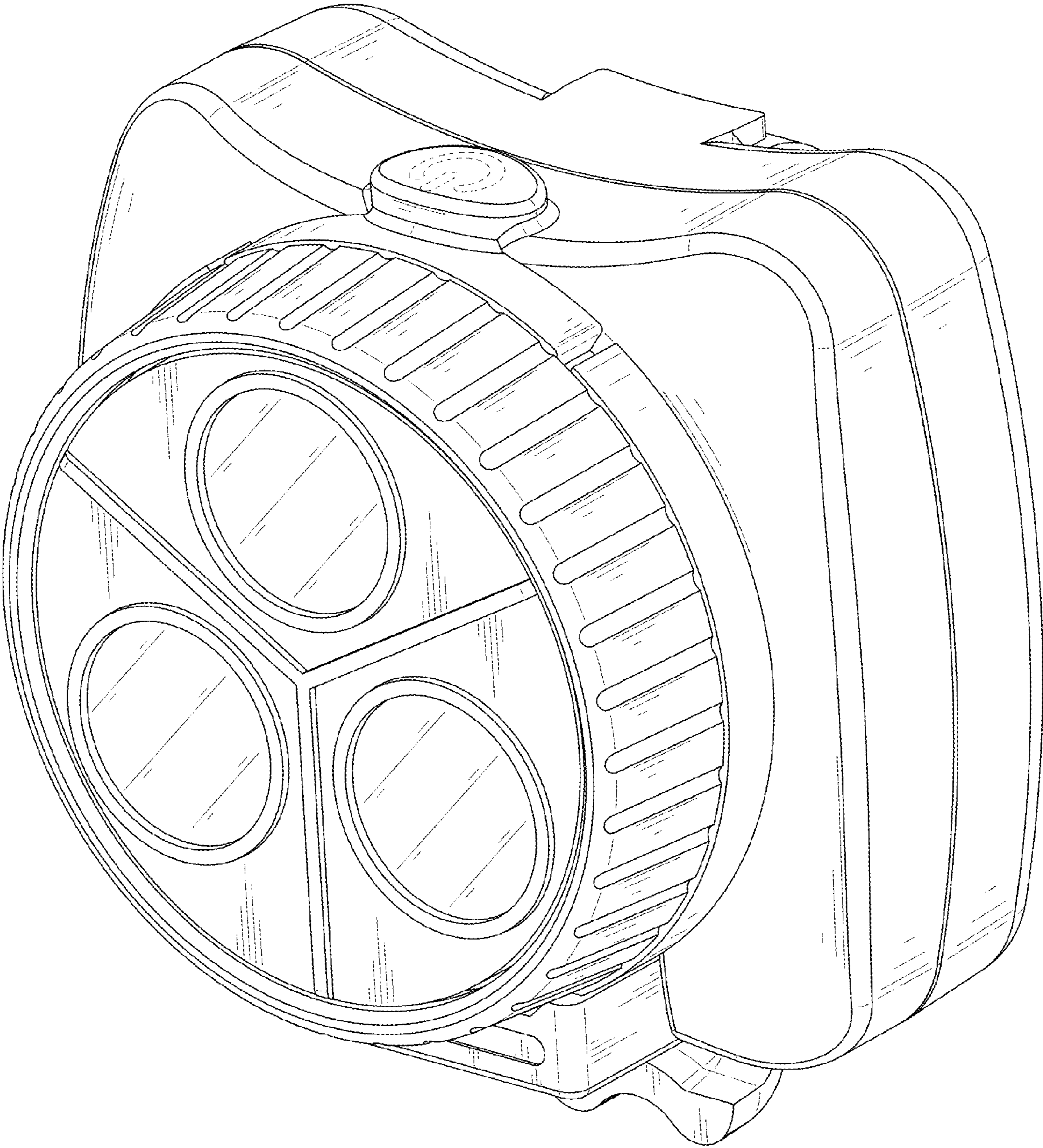


FIG. 1



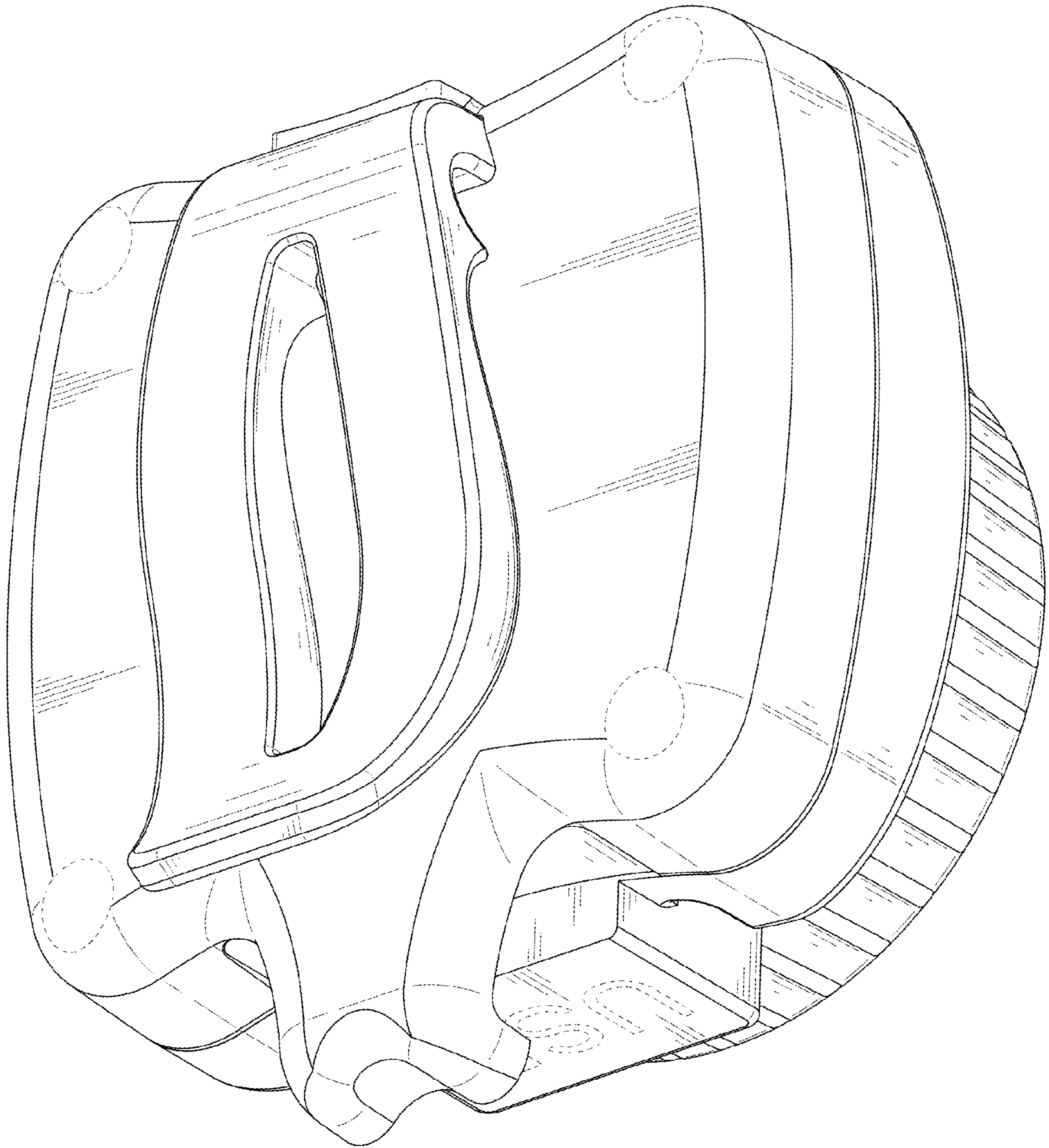


FIG. 2

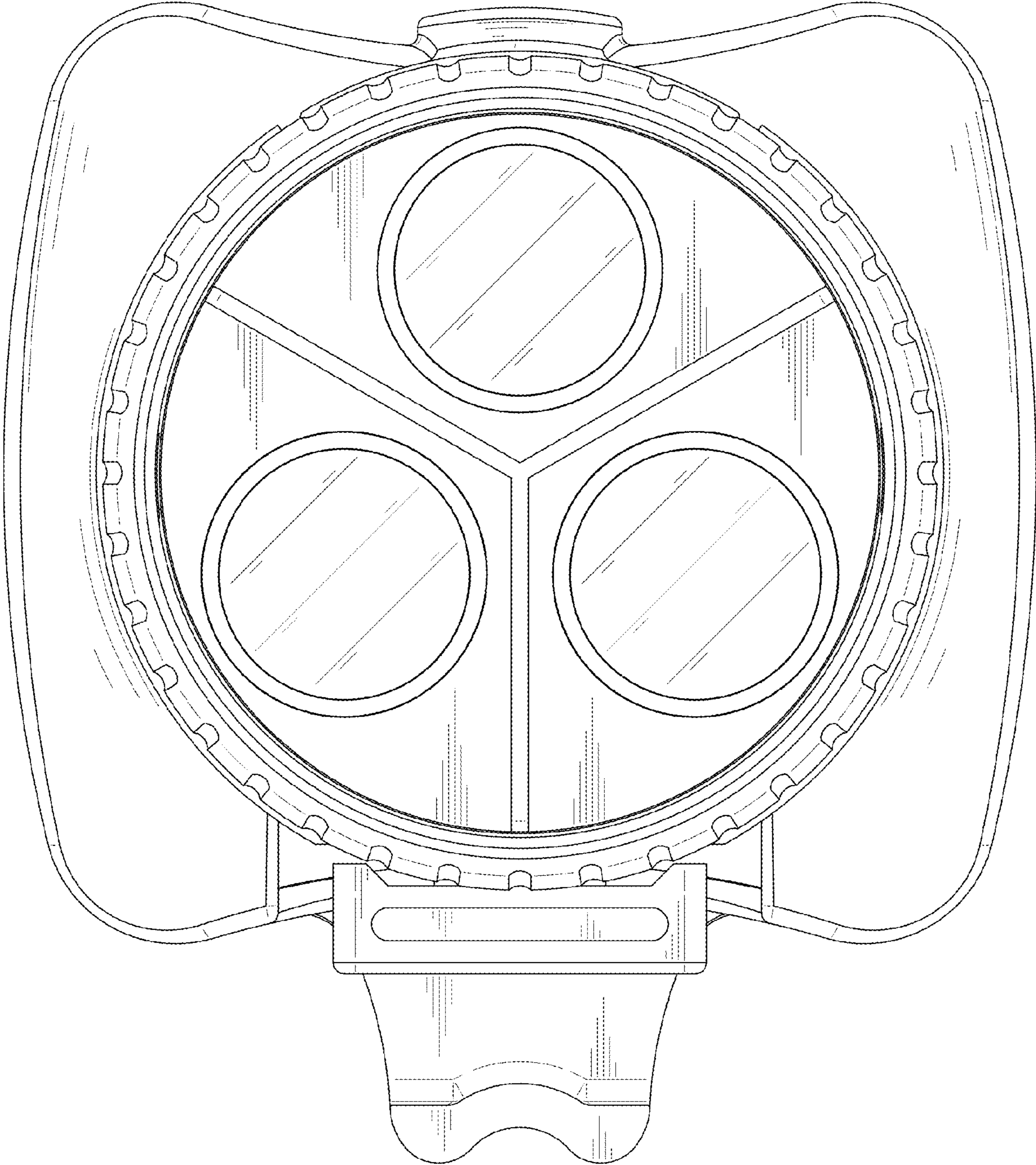


FIG. 3

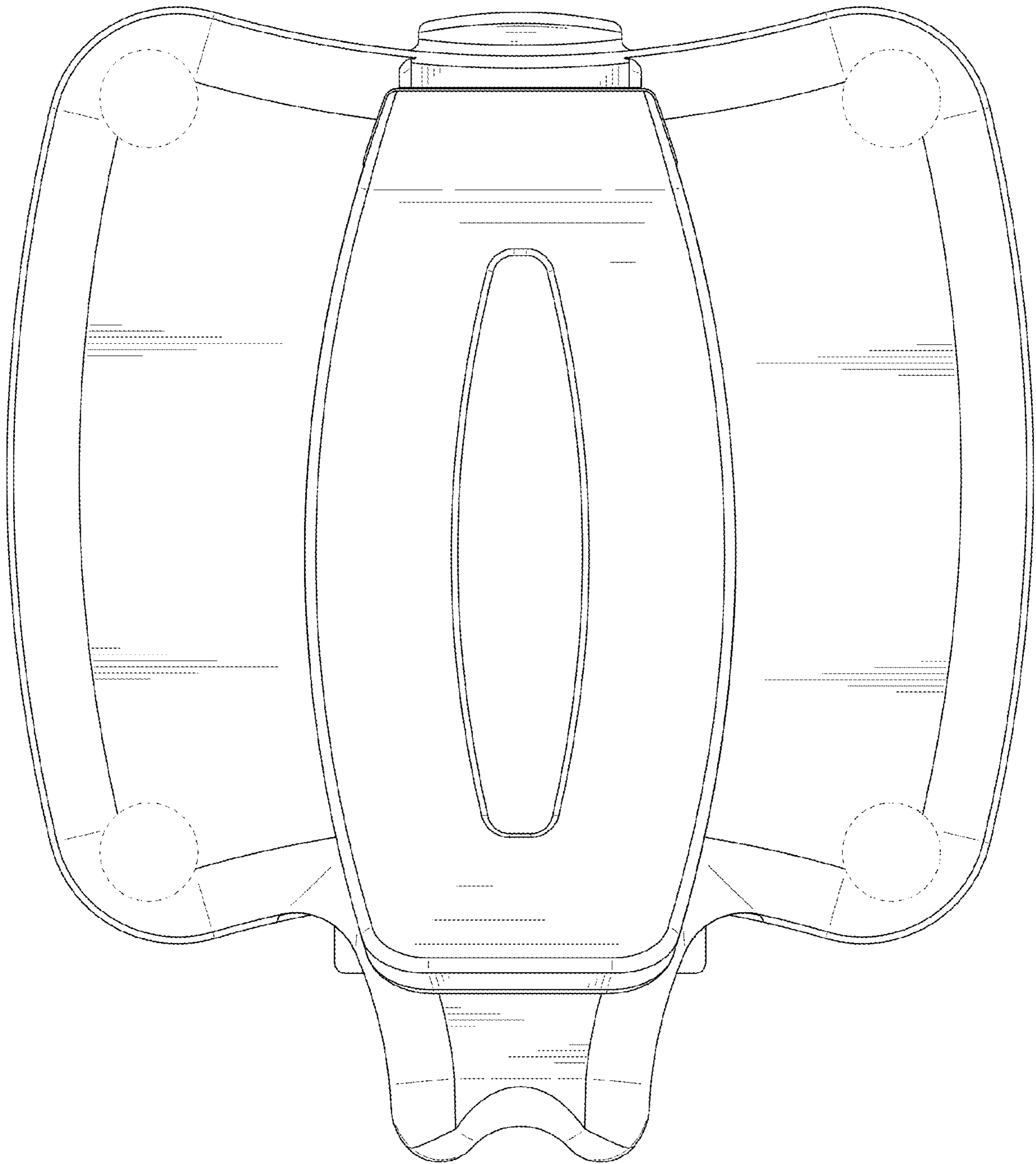


FIG. 4

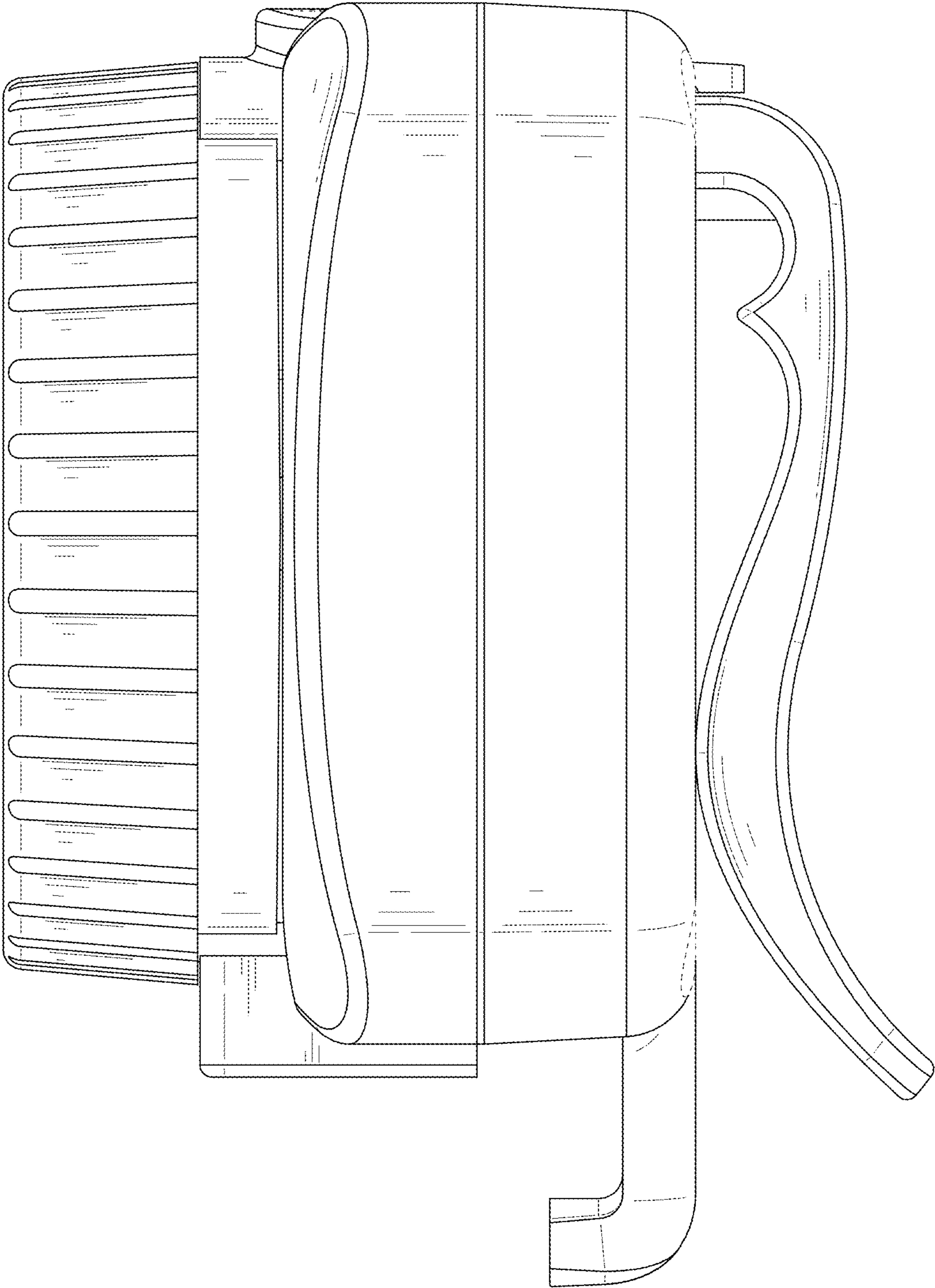


FIG. 5



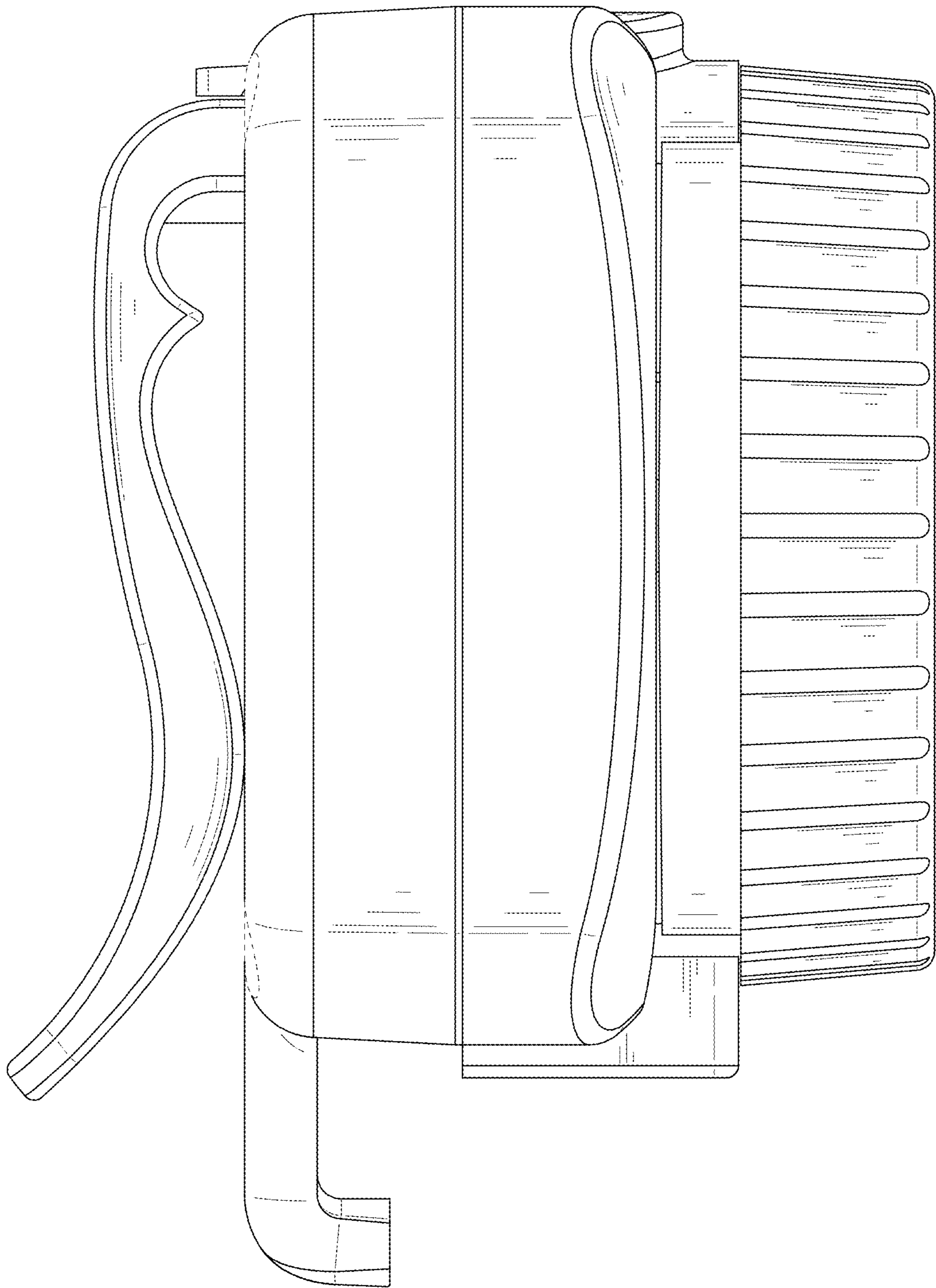


FIG. 6

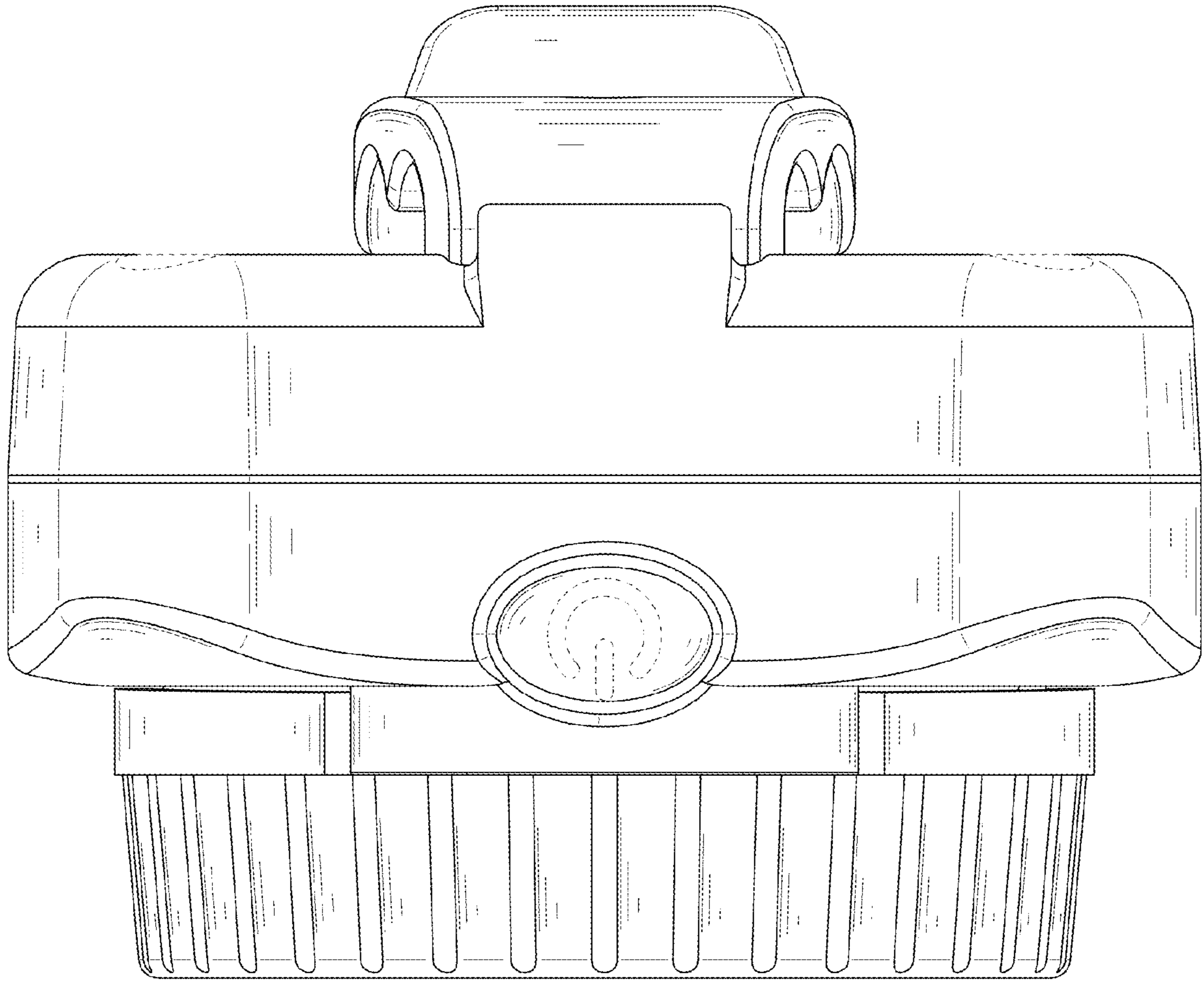


FIG. 7



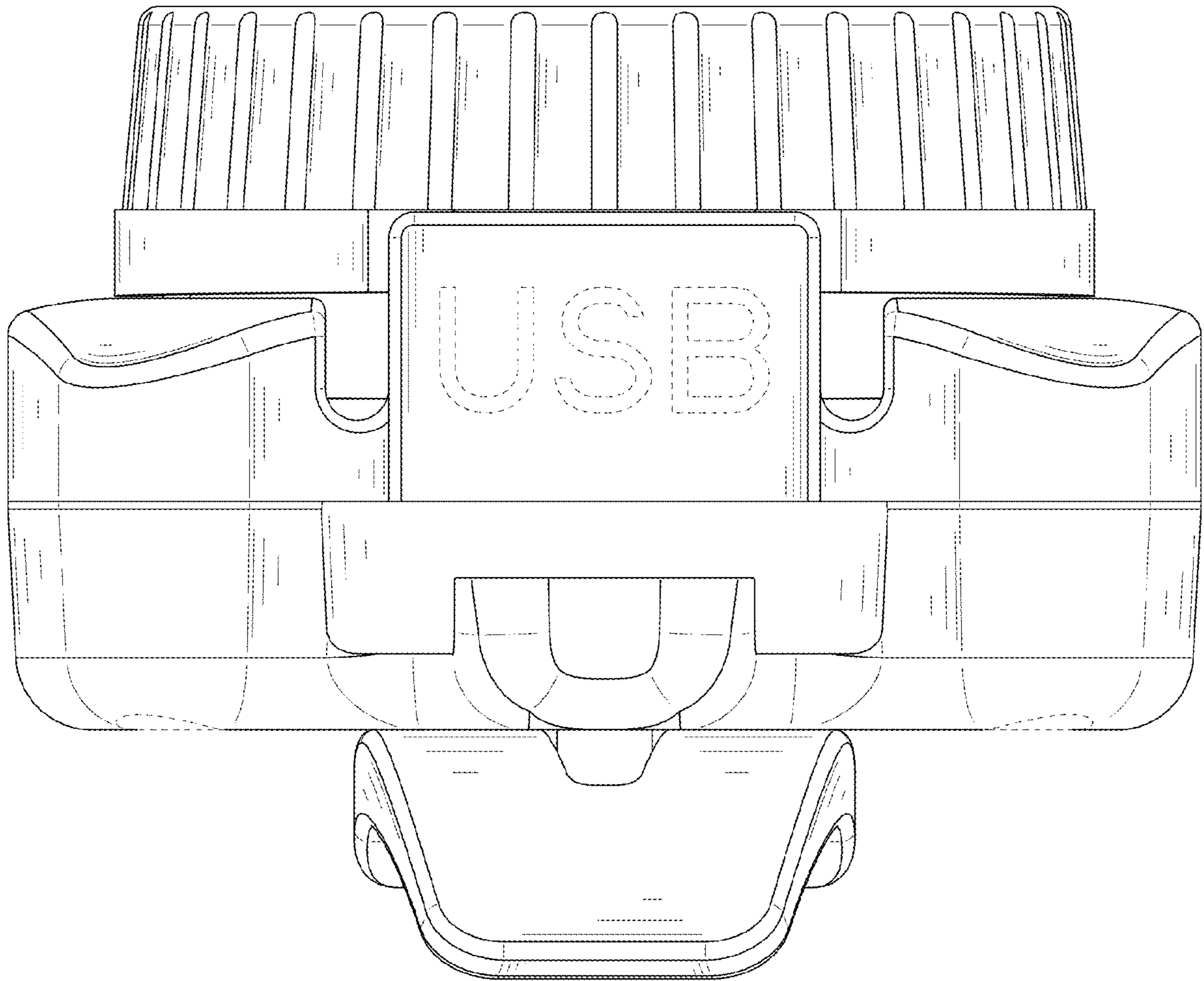


FIG. 8