



US00D921948S

(12) **United States Design Patent**
Proeber

(10) **Patent No.:** **US D921,948 S**

(45) **Date of Patent:** **** Jun. 8, 2021**

(54) **LIGHT**

D484,013 S * 12/2003 Alverson, Jr. D8/14
7,896,569 B2 * 3/2011 Katzenstein A61G 13/12
403/97
7,984,665 B1 * 7/2011 Robertson H02G 1/02
81/53.1

(71) Applicant: **MILWAUKEE ELECTRIC TOOL CORPORATION**, Brookfield, WI (US)

(72) Inventor: **David Proeber**, Milwaukee, WI (US)

(73) Assignee: **Milwaukee Electric Tool Corporation**, Brookfield, WI (US)

(**) Term: **15 Years**

(21) Appl. No.: **29/679,958**

(22) Filed: **Feb. 12, 2019**

(51) **LOC (13) Cl.** **26-05**

(52) **U.S. Cl.**
USPC **D26/60**

(58) **Field of Classification Search**
USPC D26/37-51
CPC F21L 2003/00; F21L 4/00; F21L 4/005;
F21L 4/02; F21L 4/025; F21L 4/027;
F21L 4/04; F21L 4/08; F21L 2005/00;
F21L 7/00; F21L 11/00; F21L 13/00;
F21L 13/04; F21L 14/02; F21L 17/00;
F21L 19/00; F21L 25/00; B25G 3/26;
B25G 3/38; B25G 1/02; H02G 1/02

See application file for complete search history.

(56) **References Cited**

U.S. PATENT DOCUMENTS

2,643,281 A * 6/1953 Bott H01R 11/14
174/5 R
3,866,965 A * 2/1975 Homeier H01R 11/14
294/174
5,130,642 A 7/1992 Hoffman et al.
5,144,227 A 9/1992 Shaw
5,564,852 A * 10/1996 Maxwell F16C 11/10
403/171
6,116,746 A * 9/2000 Hsu B25B 23/18
362/102

(Continued)

FOREIGN PATENT DOCUMENTS

CN 102636688 8/2012
CN 202903157 4/2013

(Continued)

OTHER PUBLICATIONS

milwaukeeetool.com: USB Rechargeable Utility Hot Stick Light. Undated online product page. Retrieved on Dec. 17, 2020 from <<https://www.milwaukeeetool.com/Products/Lighting/2119-22>> (Year: 2020).*

(Continued)

Primary Examiner — Sheryl Lane
Assistant Examiner — Calvin E Vansant
(74) *Attorney, Agent, or Firm* — Michael Best & Friedrich LLP

(57) **CLAIM**

I claim the ornamental design for a light, as shown and described.

DESCRIPTION

FIG. 1 is a perspective view of a light embodying the invention.

FIG. 2 is a top view of the light of FIG. 1.

FIG. 3 is a bottom view of the light of FIG. 1.

FIG. 4 is a first side view of the light of FIG. 1.

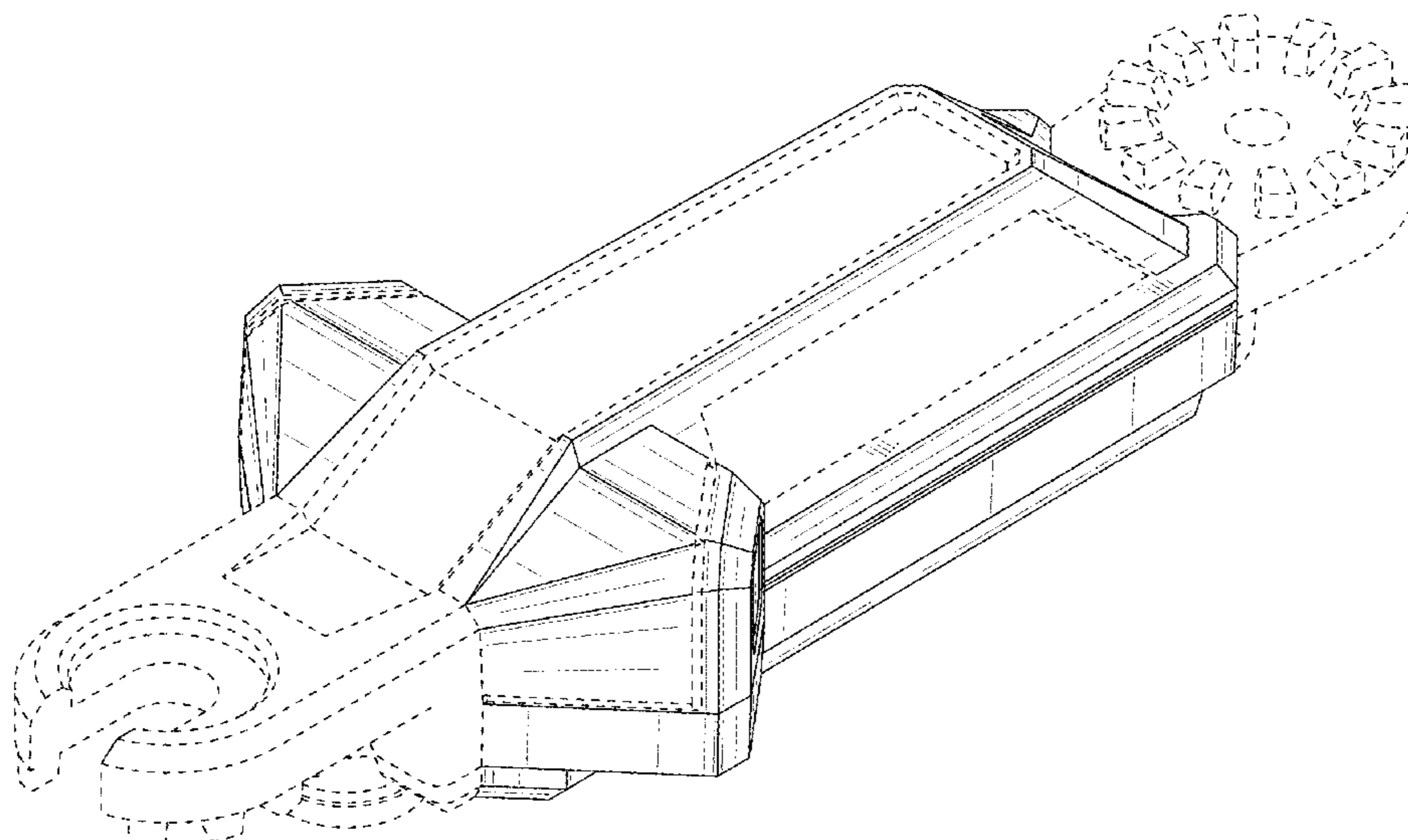
FIG. 5 is a second side view of the light of FIG. 1.

FIG. 6 is a third side view of the light of FIG. 1; and,

FIG. 7 is a fourth side view of the light of FIG. 1.

Portions of the light shown in broken lines form no part of the claimed design.

1 Claim, 5 Drawing Sheets



(56)

References Cited

U.S. PATENT DOCUMENTS

8,134,300 B2 * 3/2012 Maglica F21L 4/045
 315/200 A
 D708,376 S * 7/2014 Crowe D26/37
 D737,487 S * 8/2015 Beckett D26/38
 D739,063 S * 9/2015 Su D26/42
 9,393,683 B2 7/2016 Bevins, Jr. et al.
 D805,666 S * 12/2017 Nguyen D26/37
 D858,831 S * 9/2019 Proeber D26/37
 D904,657 S * 12/2020 Proeber D26/42
 2007/0014108 A1 1/2007 Uke
 2007/0119608 A1 * 5/2007 Morris H01R 13/717
 174/5 R
 2012/0033412 A1 * 2/2012 Molina F21V 21/088
 362/119
 2015/0260386 A1 9/2015 Pepin
 2015/0267902 A1 * 9/2015 Zhang F21L 4/04
 362/188
 2016/0344170 A1 11/2016 Tamm
 2017/0284646 A1 * 10/2017 Arena F21V 23/0414
 2019/0093876 A1 * 3/2019 Proeber F21L 4/02
 2019/0199072 A1 * 6/2019 Tuchscherer H02G 1/005
 2020/0254603 A1 * 8/2020 Murrow, Jr. B25G 3/38

FOREIGN PATENT DOCUMENTS

CN 203225441 10/2013
 CN 203660414 6/2014
 CN 204156409 2/2015
 CN 204205425 3/2015
 CN 104581039 4/2015
 CN 204271533 4/2015
 CN 204315999 5/2015
 CN 204424806 6/2015
 CN 204793840 11/2015

CN 204886001 12/2015
 CN 204927968 12/2015
 CN 205543979 8/2016
 CN 205752622 11/2016
 CN 106341668 1/2017
 CN 106371050 2/2017
 CN 206283188 6/2017
 CN 107069550 8/2017

OTHER PUBLICATIONS

homedepot.com: 350 Lumens LED Rechargeable Utility Hot Stick Flashlight. Undated online product page. Retrieved on Dec. 17, 2020 from <<https://www.homedepot.com/p/Milwaukee-350-Lumens-LED-Rechargeable-Utility-Hot-Stick-Flashlight-2119-22/309390838?source=shoppingads&locale=en-US>> (Year: 2020).*

amazon.com: Milwaukee USB Rechargeable Utility Hot Stick. Date posted Jun. 3, 2020 [site visited Dec. 17, 2020]. Retrieved from internet, <https://www.amazon.com/MILWAUKEE-USB-Rechargeable-Utility-Stick/dp/B07VWKSDDLN/ref=sr_1_2?dchild=1&keywords=Milwaukee+Hot+Stick+Light&qid=1608215865&sr=8-2> (Year: 2020).*

acmetools.com: USB Rechargeable Utility Hot Stick Light. Undated online product page. Retrieved on Dec. 17, 2020 from <https://www.acmetools.com/shop/tools/milwaukee-2119-22?cm_mmc=Google_-_PRODUCTFEED_-_Milwaukee_-_2119-22&gclid=EAlalQobChMI4Mzjy53V7QIVEW6GCh3jfQhAQAQYASABEgLQFvD_BwE#> (Year: 2020).*

UK International, "LITLINK Instructions, Lights Up Your Hot Stick Tools for Safety and Efficiency," brochure (2006) 1 page, www.ukinternational.com.

UK Underwater Kinetics, "Hot Stick Tools," brochure (2006) 1 page, www.uwkinetics.com.

* cited by examiner

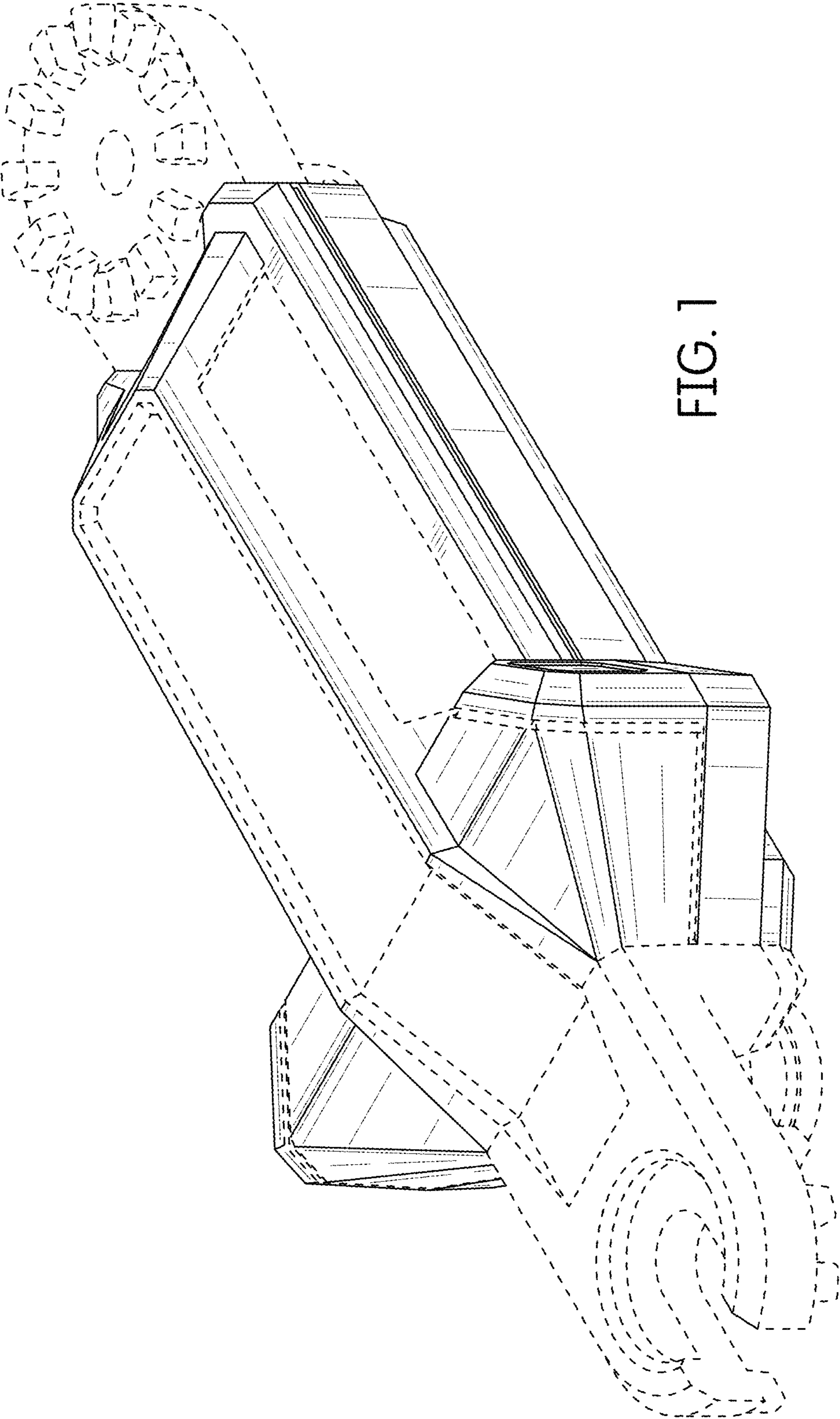


FIG. 1

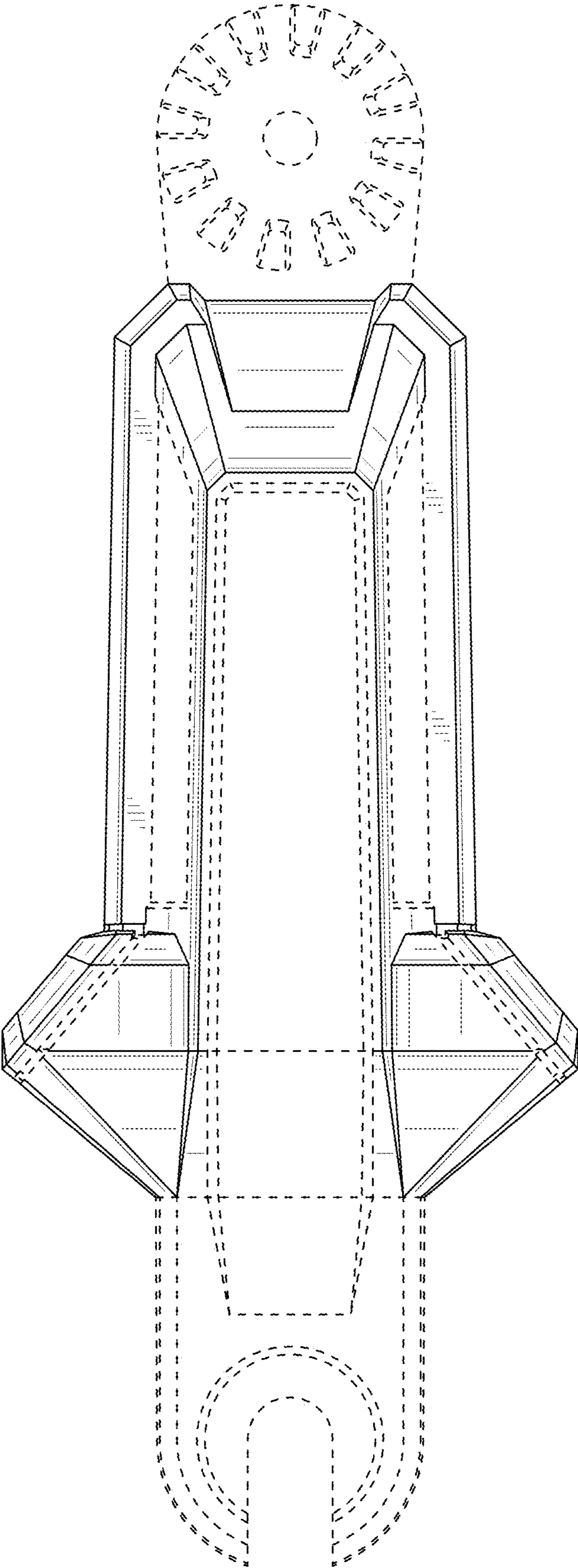


FIG. 2

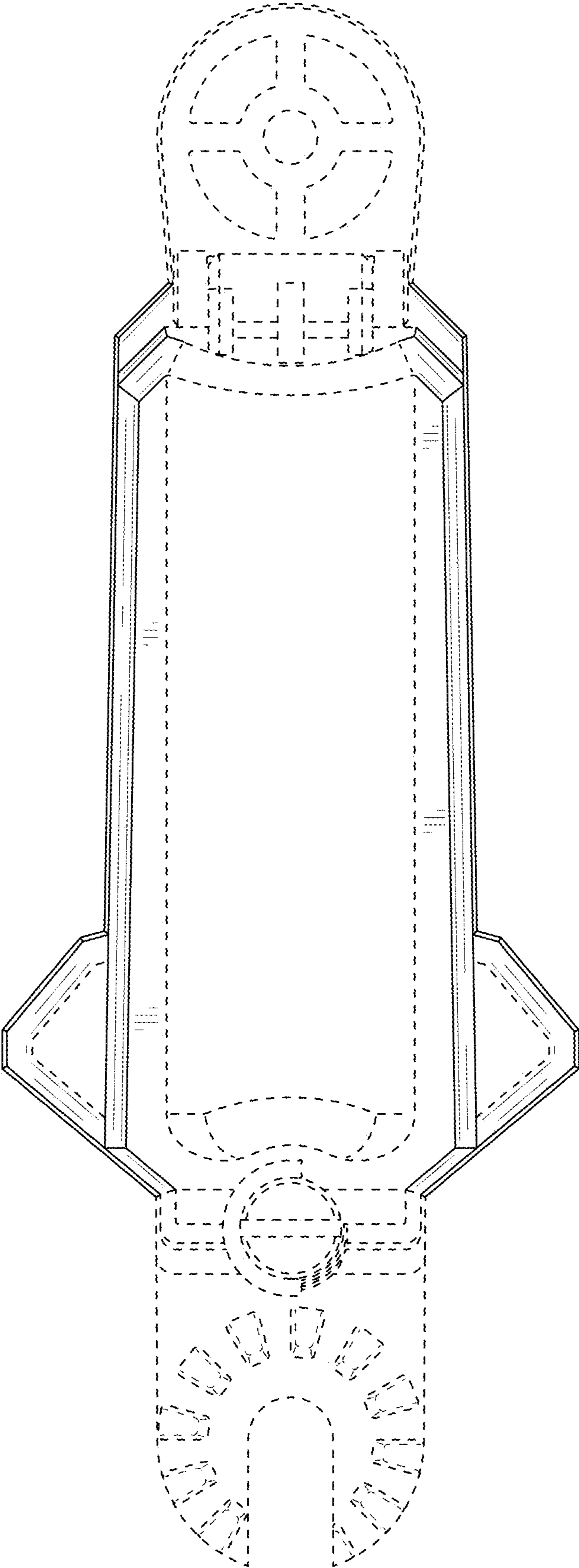


FIG. 3

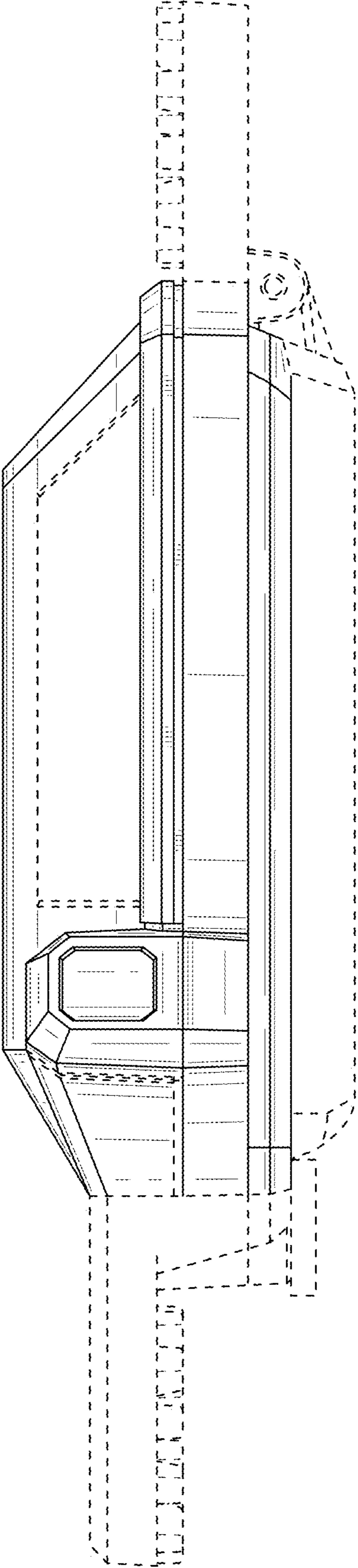


FIG. 4

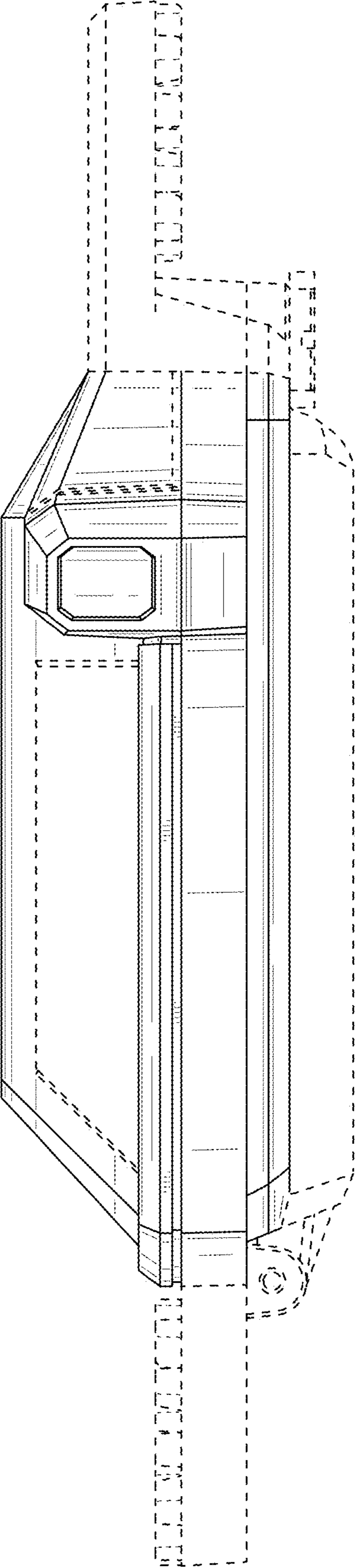


FIG. 5

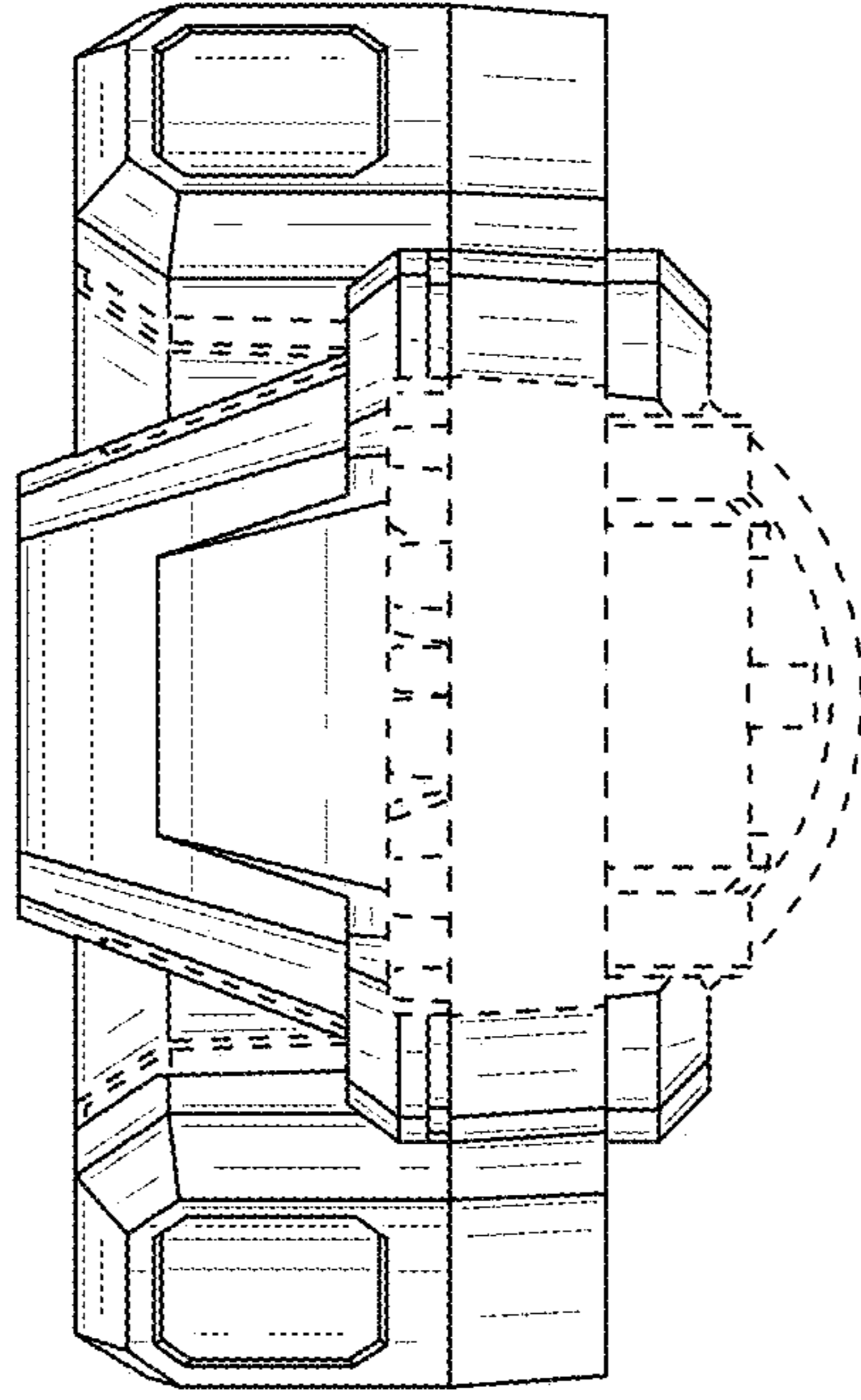


FIG. 7

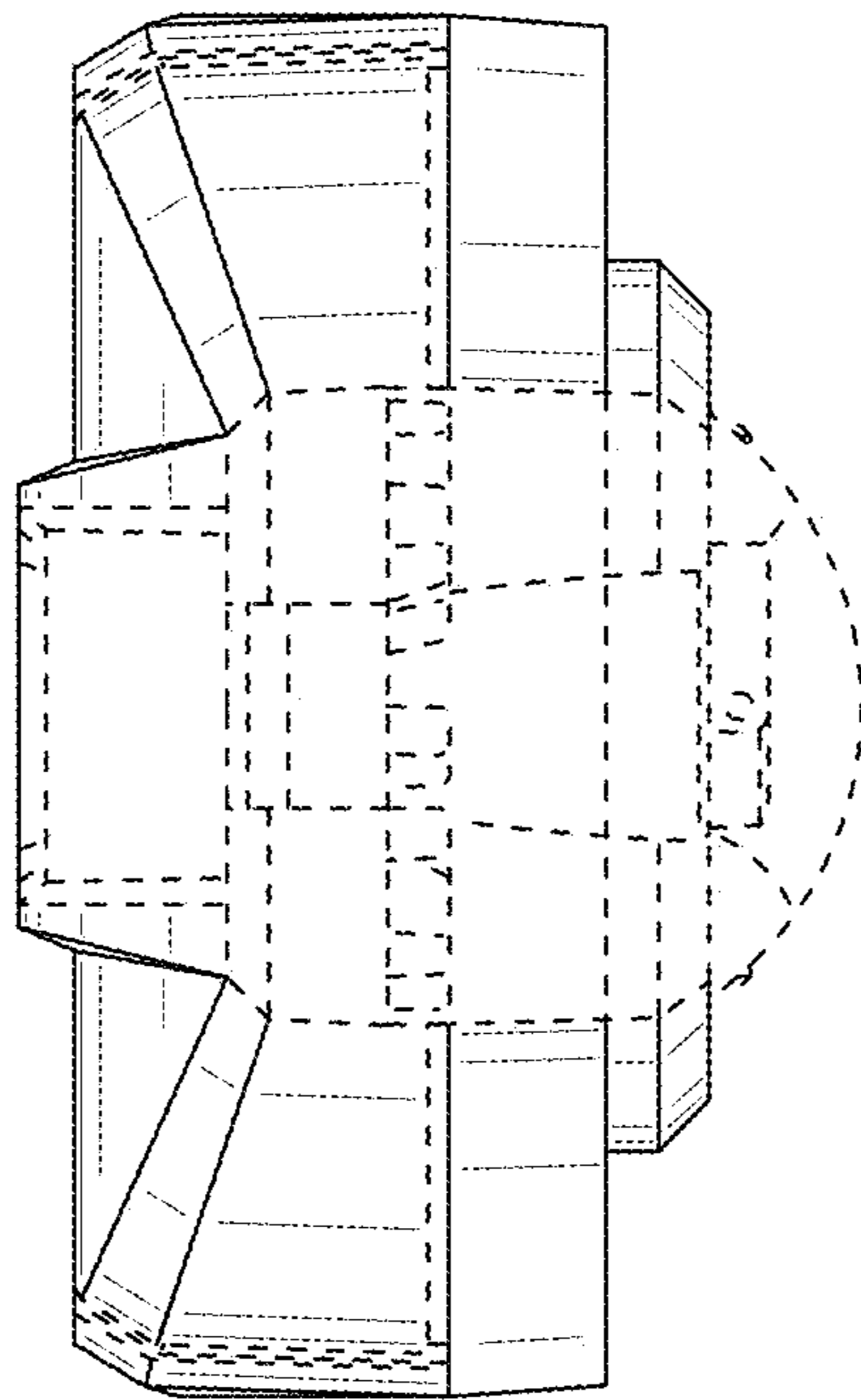


FIG. 6