



US00D921946S

(12) **United States Design Patent**
Zhang

(10) **Patent No.:** **US D921,946 S**

(45) **Date of Patent:** **** Jun. 8, 2021**

(54) **OUTDOOR LAMP**

(71) Applicant: **Zhenkun Zhang**, Shenzhen (CN)

(72) Inventor: **Zhenkun Zhang**, Shenzhen (CN)

(**) Term: **15 Years**

(21) Appl. No.: **29/769,432**

(22) Filed: **Feb. 5, 2021**

(51) **LOC (13) Cl.** **26-02**

(52) **U.S. Cl.**
USPC **D26/40**

(58) **Field of Classification Search**
USPC D26/37-51
CPC F21L 4/00; F21L 4/02; F21L 4/04; F21L
4/08; F21L 4/025; F21L 4/027; F21L
7/00; F21L 11/00; F21L 13/00; F21L
13/04; F21L 13/08; F21L 17/00; F21L
19/00; F21L 25/00

See application file for complete search history.

(56) **References Cited**

U.S. PATENT DOCUMENTS

- D483,892 S * 12/2003 Poon D26/40
- D611,630 S * 3/2010 Chan D26/40
- D674,945 S * 1/2013 Bertken D26/40
- D725,300 S * 3/2015 Dalton D26/40

- D726,358 S * 4/2015 Young D26/49
- D737,488 S * 8/2015 Chen
- D747,022 S * 1/2016 Leung D26/40
- D747,523 S * 1/2016 Salmon D26/40
- D790,098 S * 6/2017 Esarey D26/40
- D790,107 S * 6/2017 Wilmotte
- D794,235 S * 8/2017 Green D26/40

* cited by examiner

Primary Examiner — Marcus A Jackson

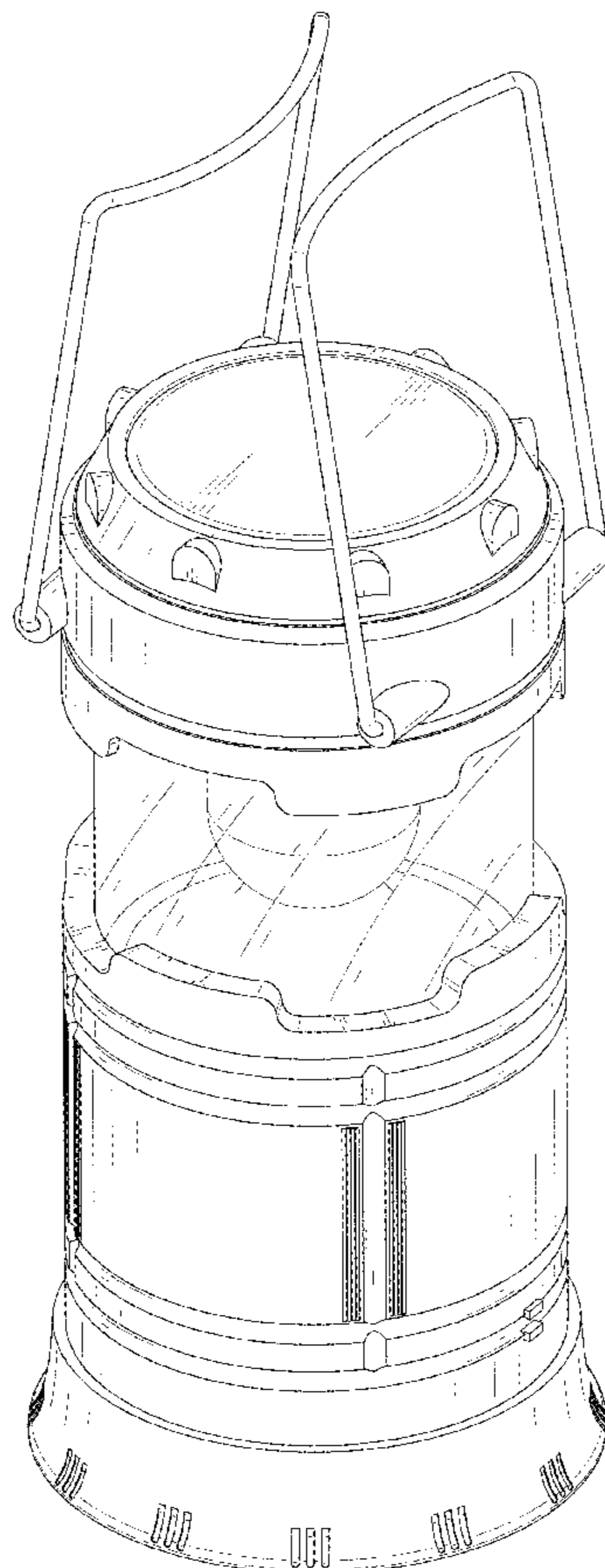
(57) **CLAIM**

The ornamental design for an outdoor lamp, as shown and described.

DESCRIPTION

FIG. 1 is a perspective view of an outdoor lamp showing my new design;
 FIG. 2 is another perspective view thereof;
 FIG. 3 is a front elevational view thereof;
 FIG. 4 is a rear elevational view thereof;
 FIG. 5 is a left side elevational view thereof;
 FIG. 6 is a right side elevational view thereof;
 FIG. 7 is a top plan view thereof;
 FIG. 8 is a bottom plan view thereof;
 FIG. 9 is a perspective view of the outdoor lamp where the outdoor lamp is in a first configuration of use; and,
 FIG. 10 is a perspective view of the outdoor lamp where the outdoor lamp is in a second configuration of use.
 The broken lines in the drawings depict portions of the outdoor lamp that form no part of the claimed design.

1 Claim, 10 Drawing Sheets



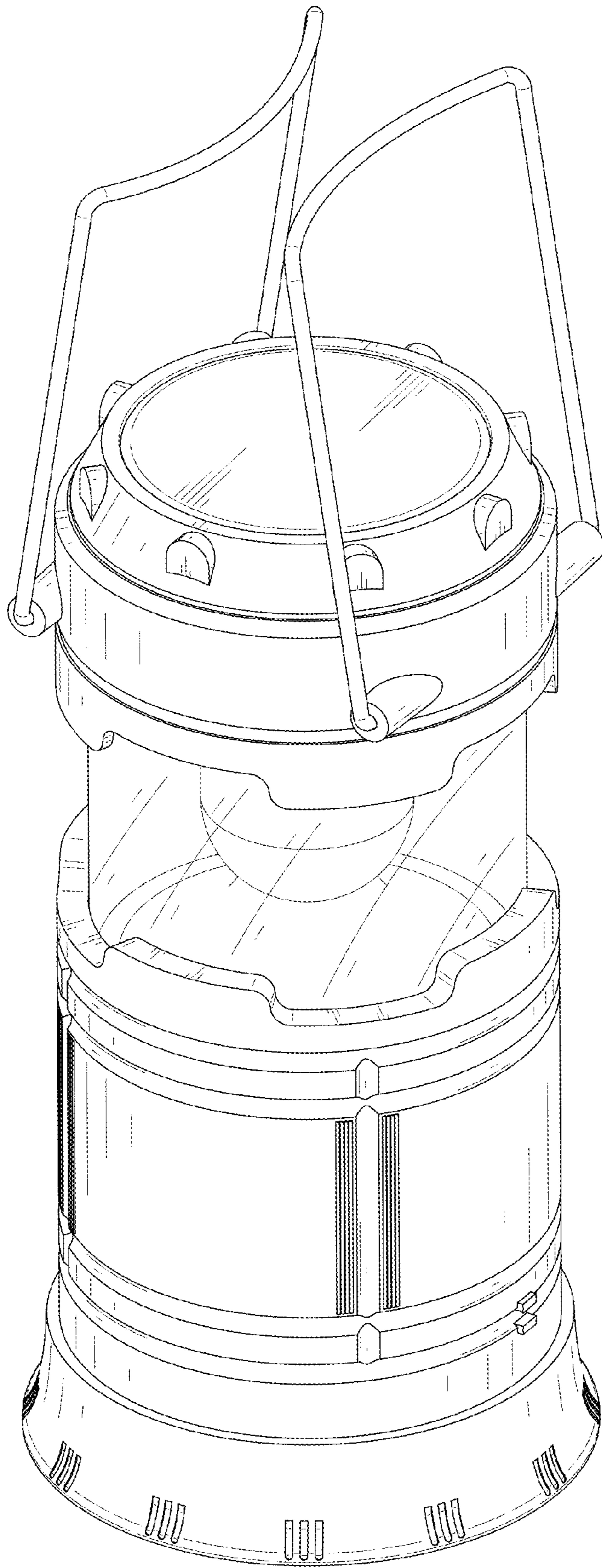


FIG. 1

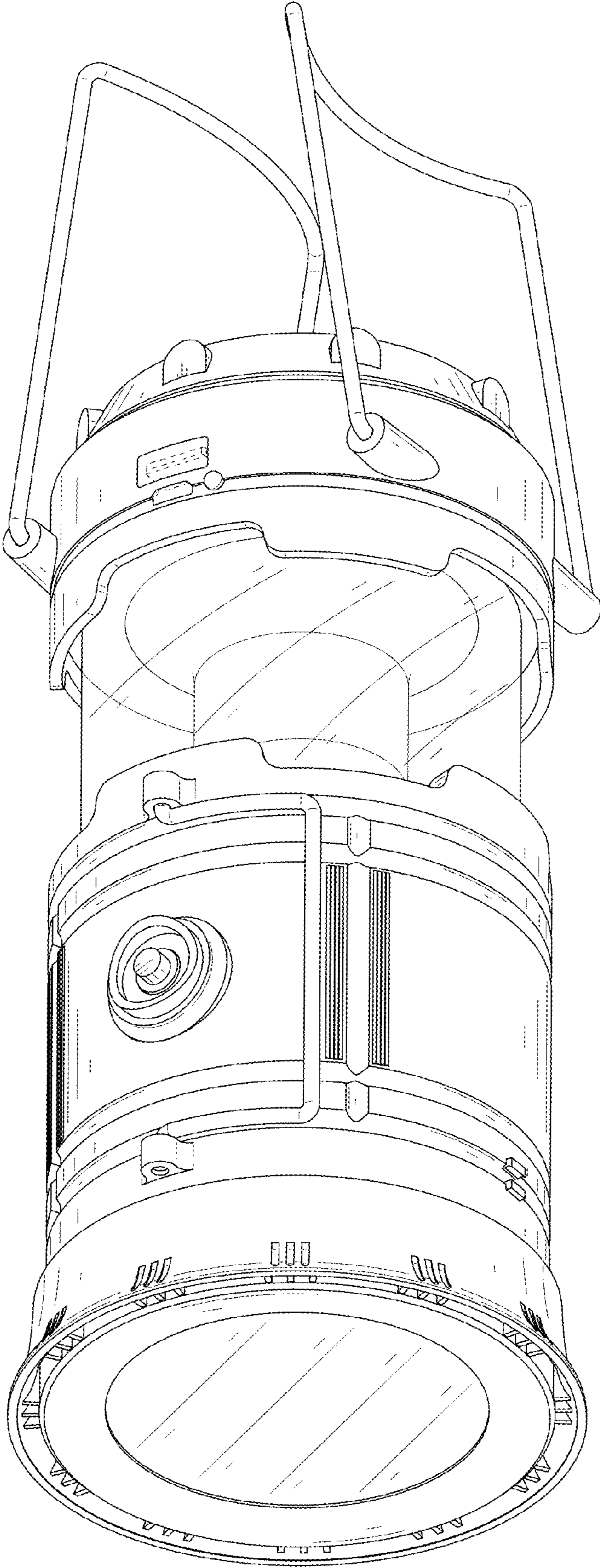


FIG. 2

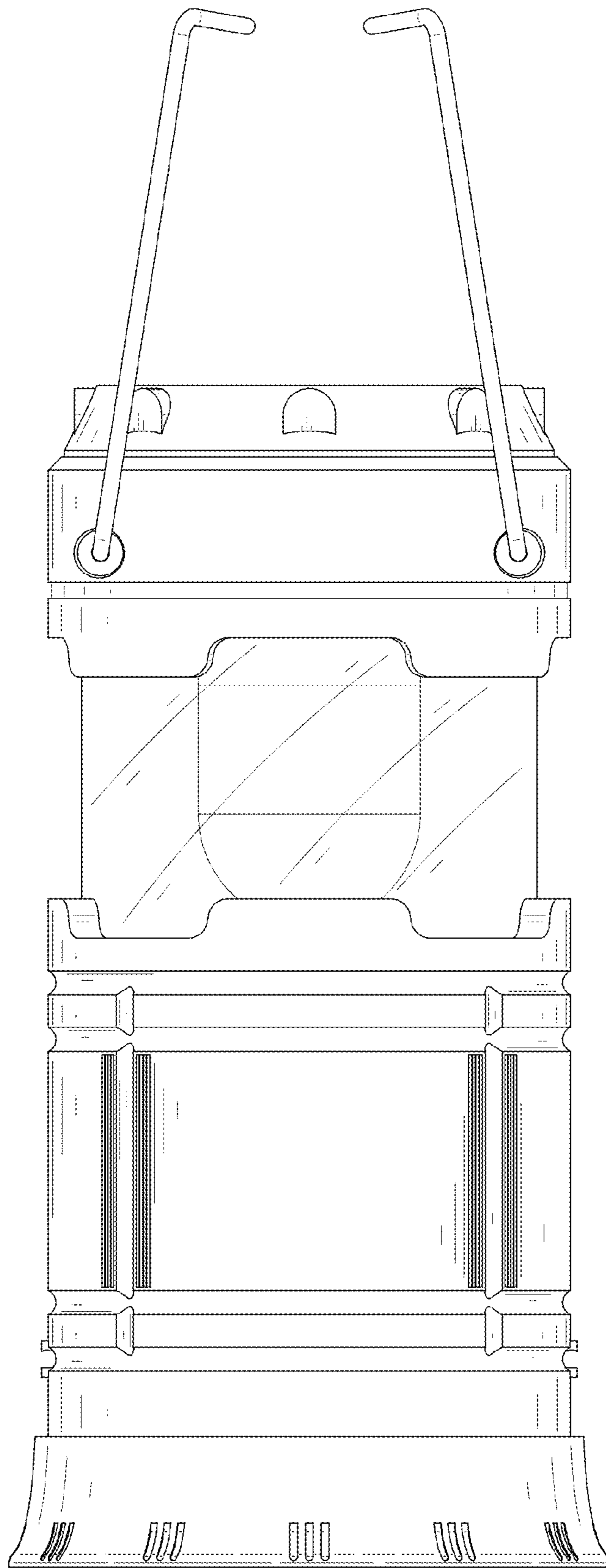


FIG. 3

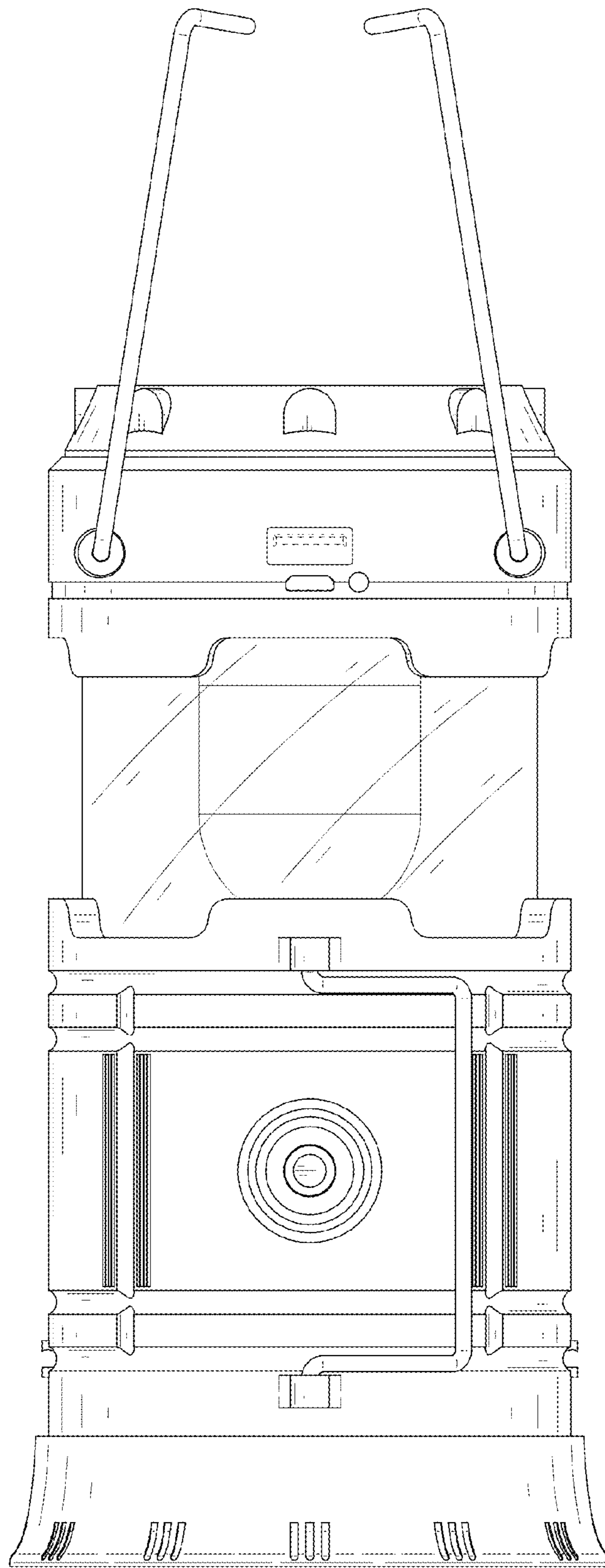


FIG. 4

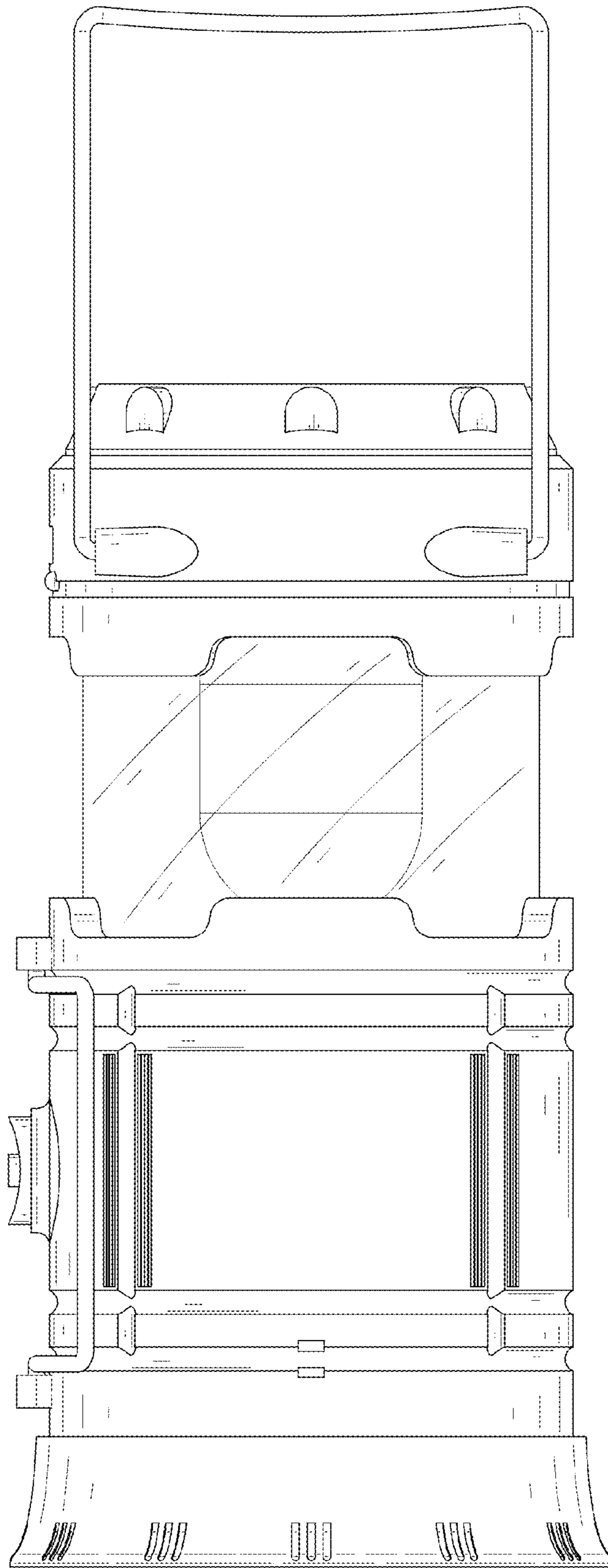


FIG. 5

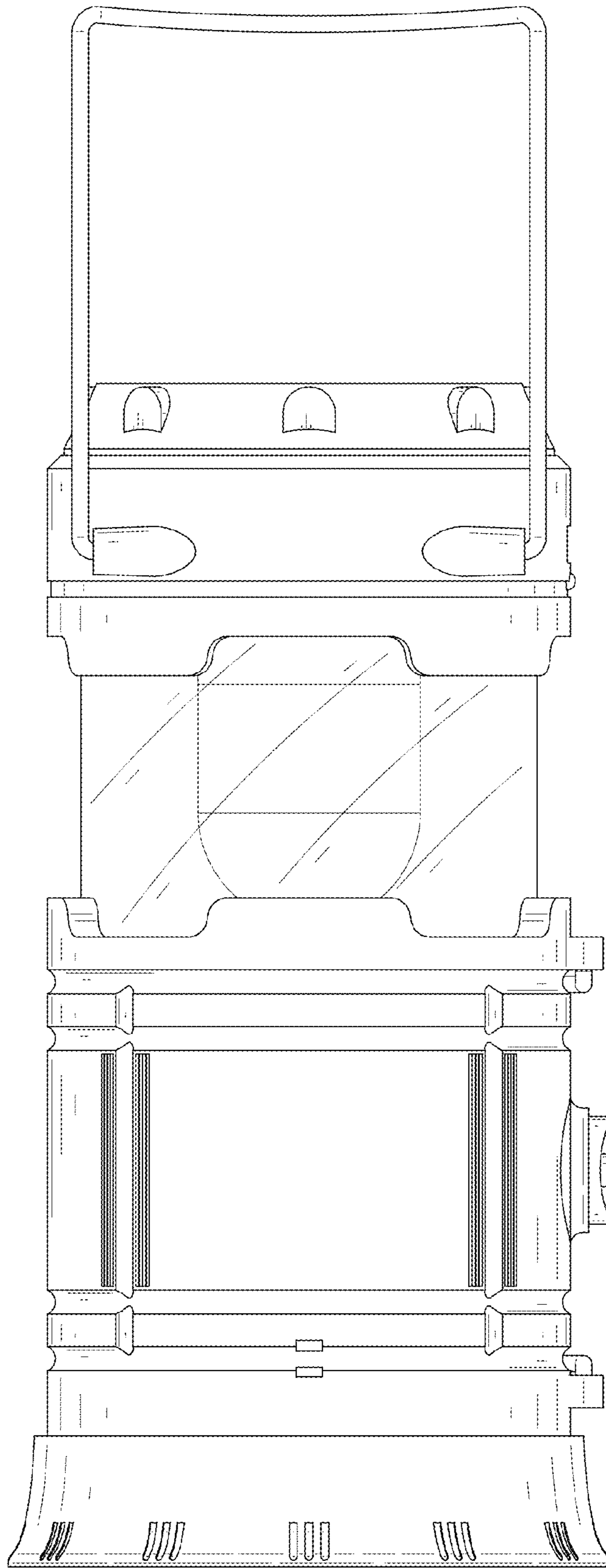


FIG. 6

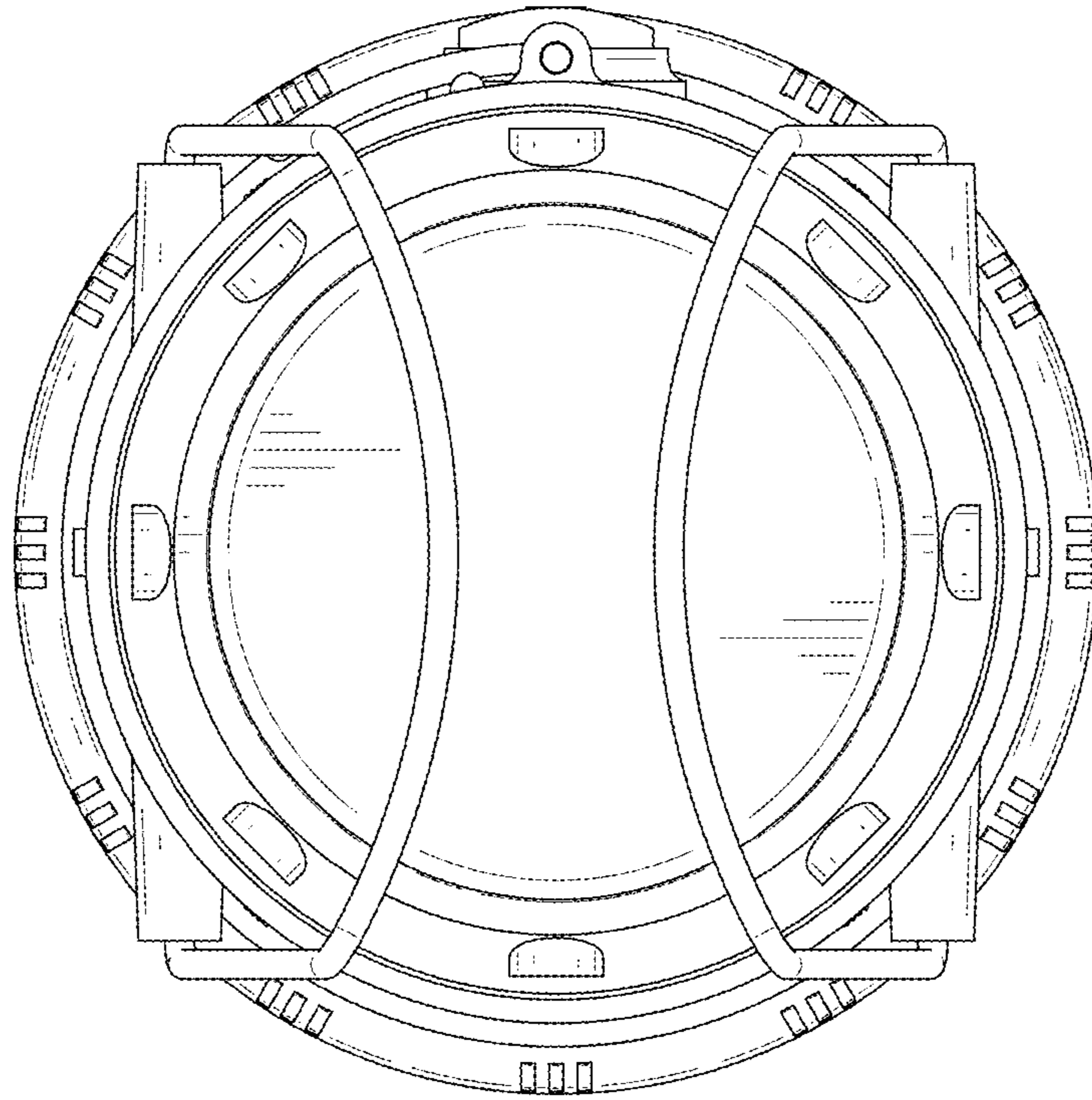


FIG. 7

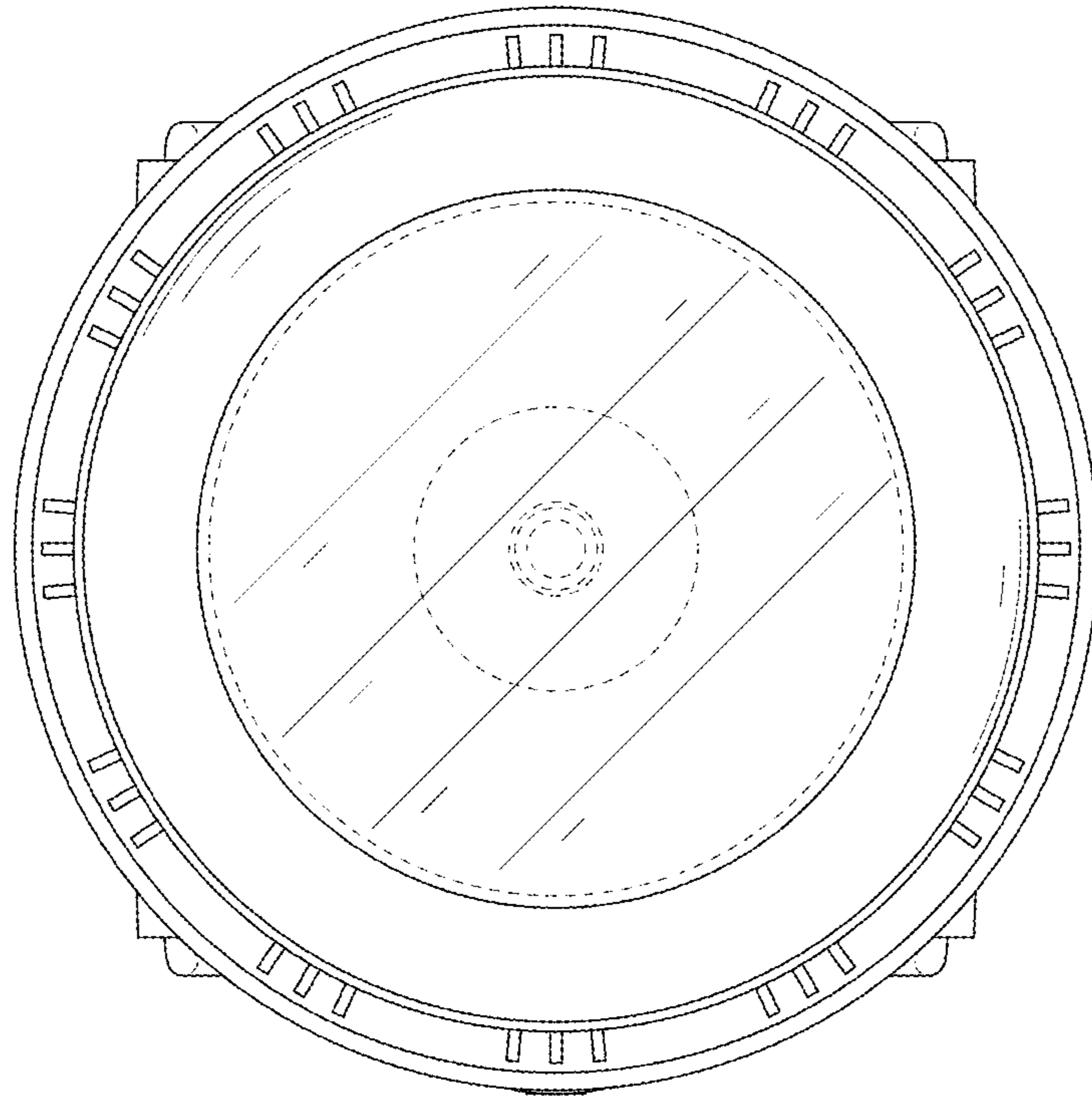


FIG. 8

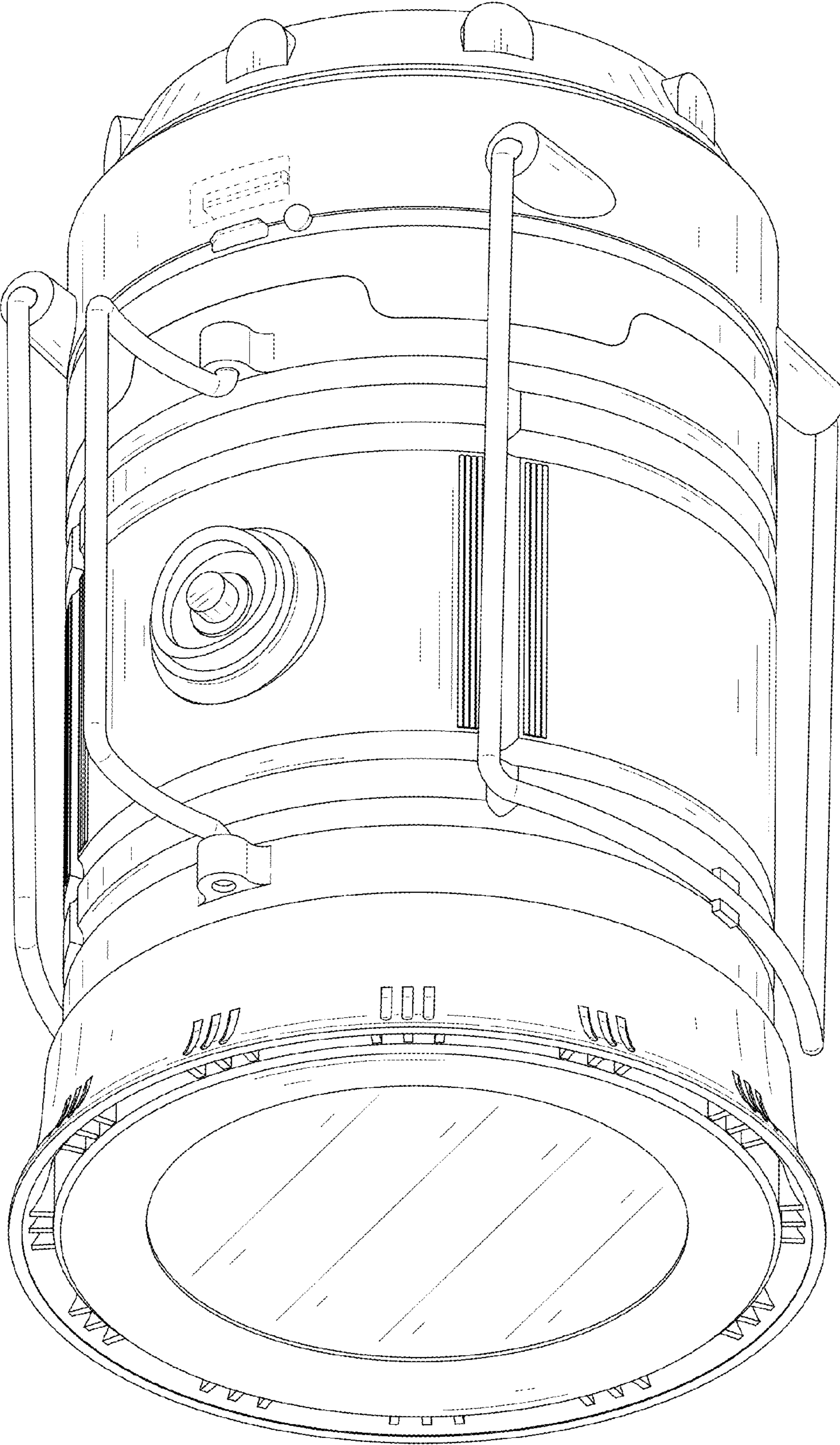


FIG. 9

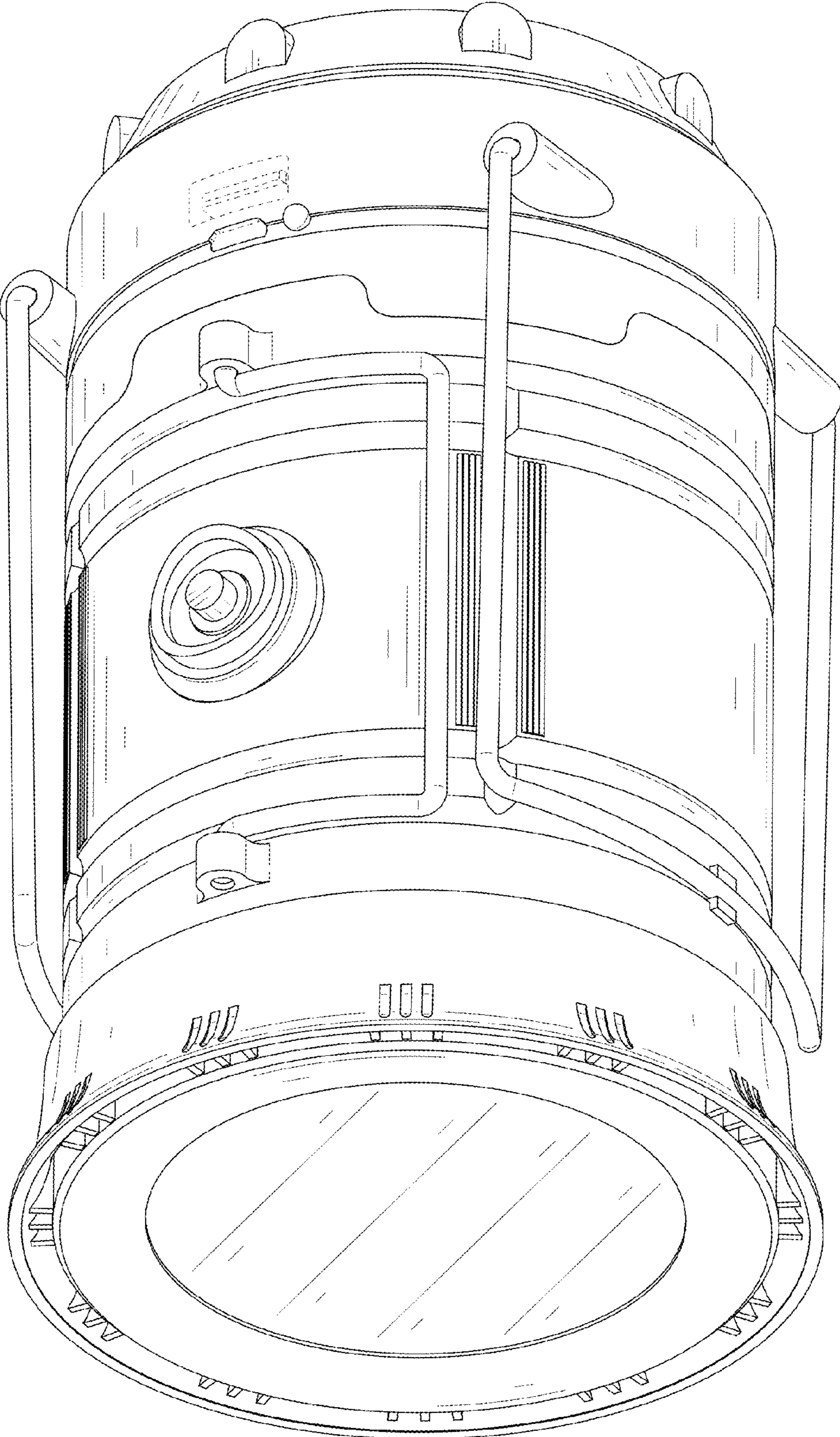


FIG. 10