



US00D921940S

(12) **United States Design Patent**
Yang

(10) **Patent No.:** **US D921,940 S**

(45) **Date of Patent:** **** Jun. 8, 2021**

(54) **TAILLIGHT**

(71) Applicant: **Zhong-Sheng Yang**, Hunan Province
(CN)

(72) Inventor: **Zhong-Sheng Yang**, Hunan Province
(CN)

(**) Term: **15 Years**

(21) Appl. No.: **29/726,355**

(22) Filed: **Mar. 3, 2020**

(51) **LOC (13) Cl.** **26-06**

(52) **U.S. Cl.**
USPC **D26/28**

(58) **Field of Classification Search**
USPC D26/28, 29, 30, 31, 32, 33, 34, 35, 36,
D26/44

CPC F21S 48/00; F21S 48/10; F21S 48/115;
F21S 48/225; F21S 48/1233; F21S
48/1266; F21S 48/1388; F21S 48/2268;
F21V 21/04; F21W 2103/35; F21W 3/40;
F21W 2102/17; F21W 2102/30; F21W
2103/00; F21W 2103/55; F21W 2104/00;
F21W 2107/17; F21W 2107/13
See application file for complete search history.

(56) **References Cited**

U.S. PATENT DOCUMENTS

D548,374 S * 8/2007 Lassen D26/28
D868,317 S * 11/2019 Lin D26/28

D874,037 S * 1/2020 Grabowski D26/28
D887,044 S * 6/2020 Lin D26/28
D887,048 S * 6/2020 Yang D26/28
D888,297 S * 6/2020 Ko D26/28
D895,879 S * 9/2020 Hu D26/74
D896,407 S * 9/2020 Luo D26/28
D896,408 S * 9/2020 Gillam D26/28
D897,574 S * 9/2020 Hu D26/28
D897,597 S * 9/2020 Hu D28/26
D901,728 S * 11/2020 Zou D26/28
D906,557 S * 12/2020 Patel D26/28

* cited by examiner

Primary Examiner — Angela J Lee

(74) *Attorney, Agent, or Firm* — W&K IP

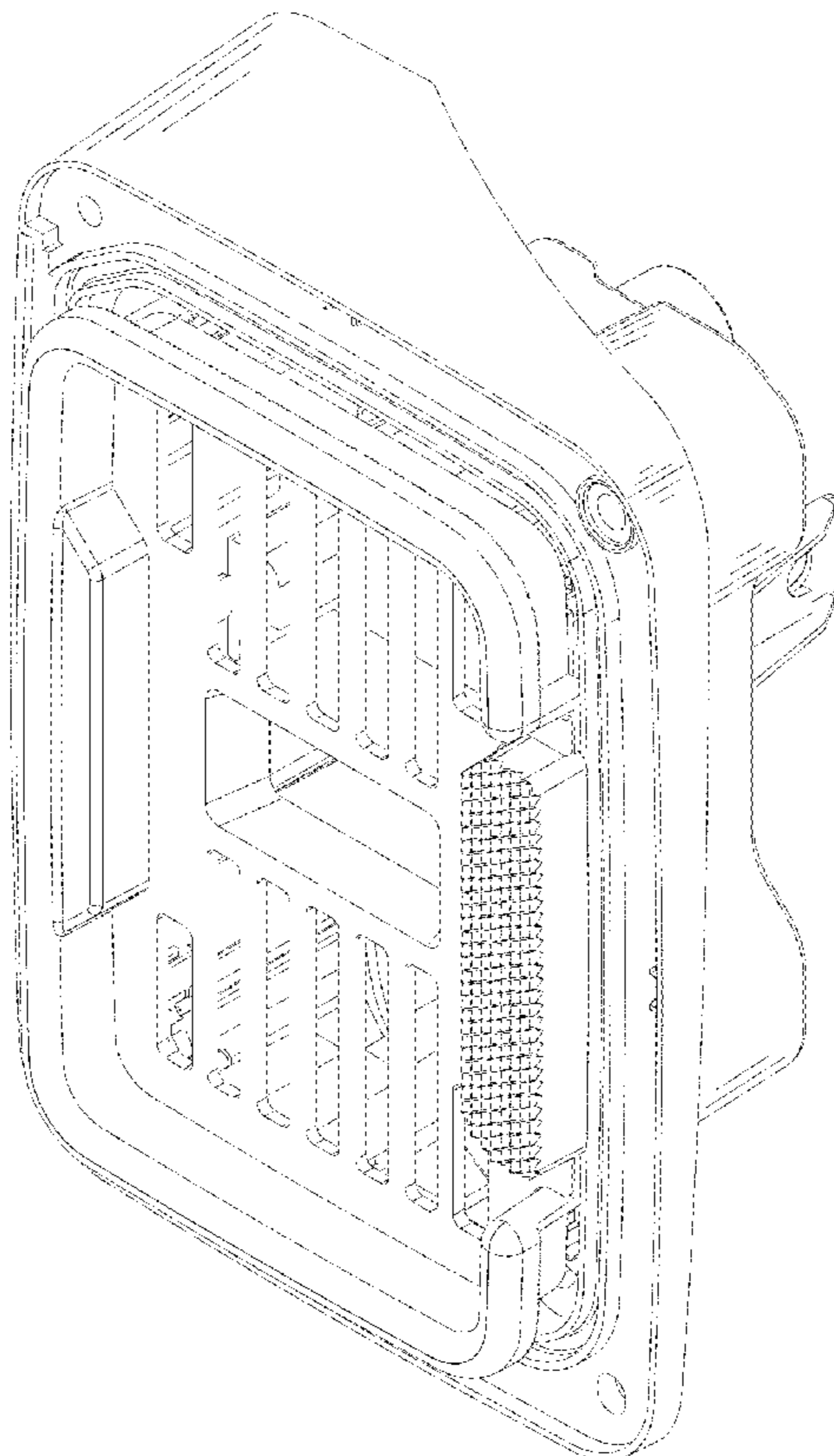
(57) **CLAIM**

The ornamental design for a taillight, as shown and described.

DESCRIPTION

FIG. 1 is a perspective view of a taillight showing my new design;
FIG. 2 is a front elevational view thereof;
FIG. 3 is a top plan view thereof;
FIG. 4 is a left side elevational view thereof;
FIG. 5 is a rear elevational view thereof;
FIG. 6 is a right side view thereof; and,
FIG. 7 is a bottom plan view thereof.

1 Claim, 7 Drawing Sheets



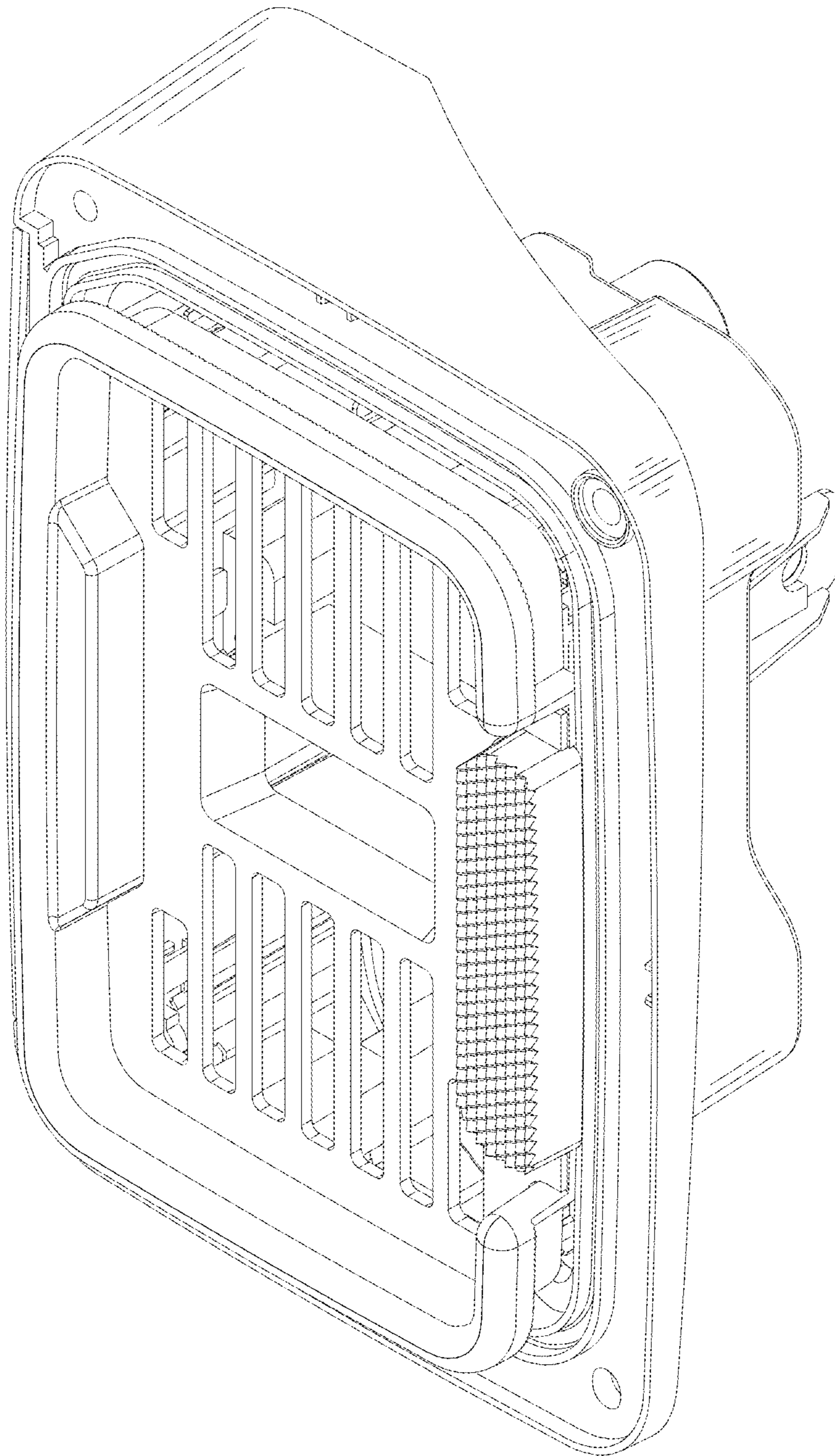


FIG. 1

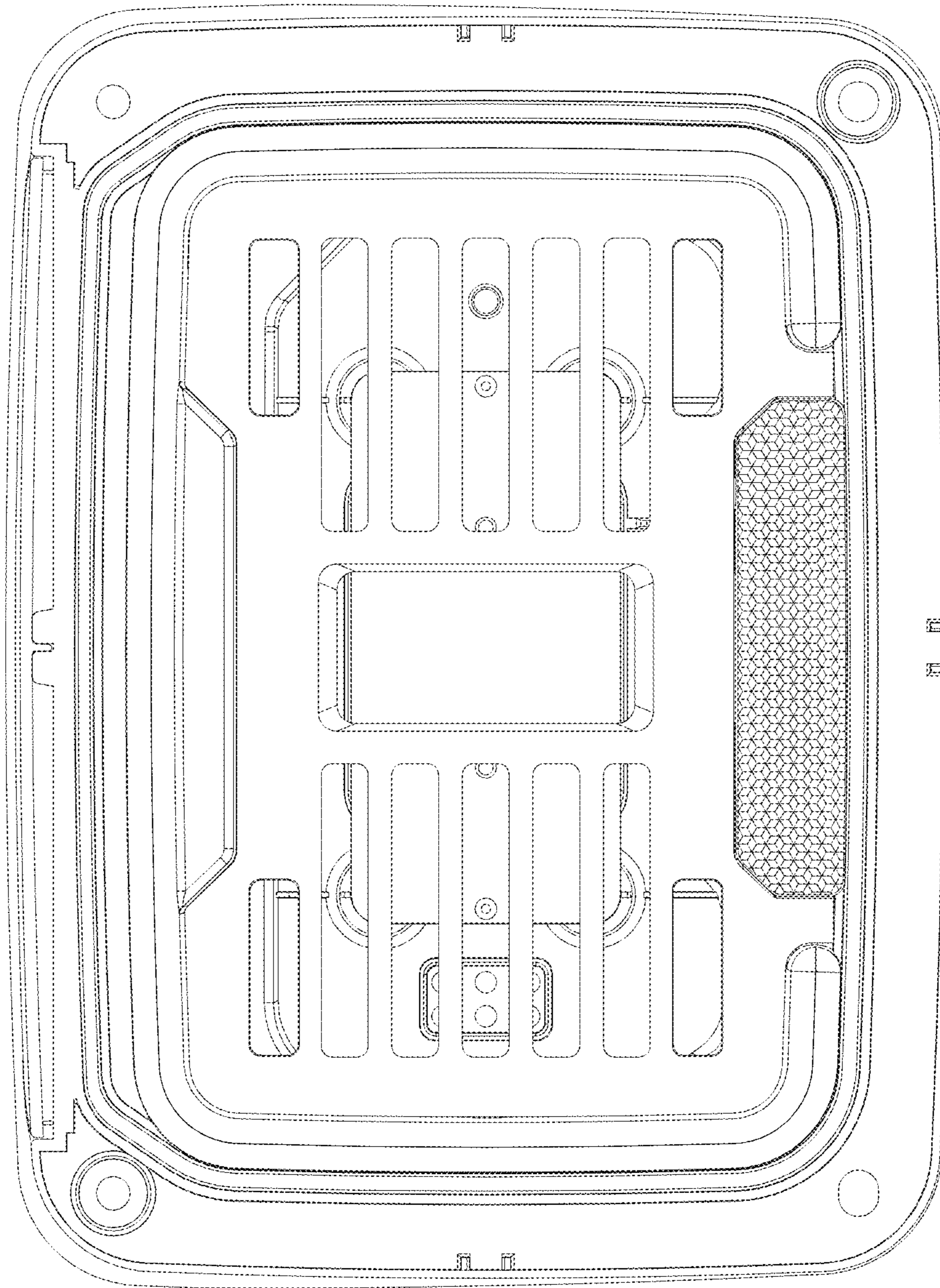


FIG. 2

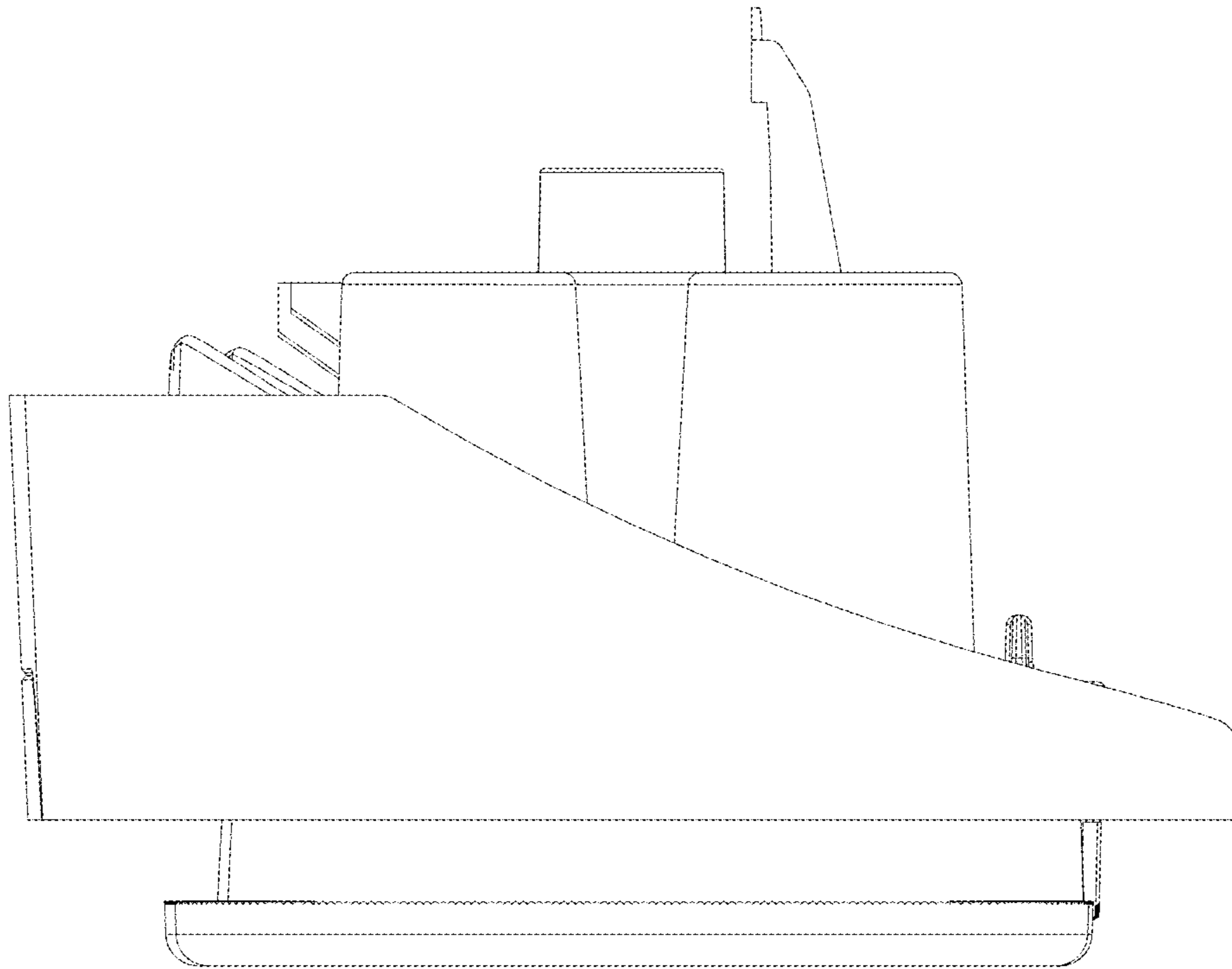


FIG. 3

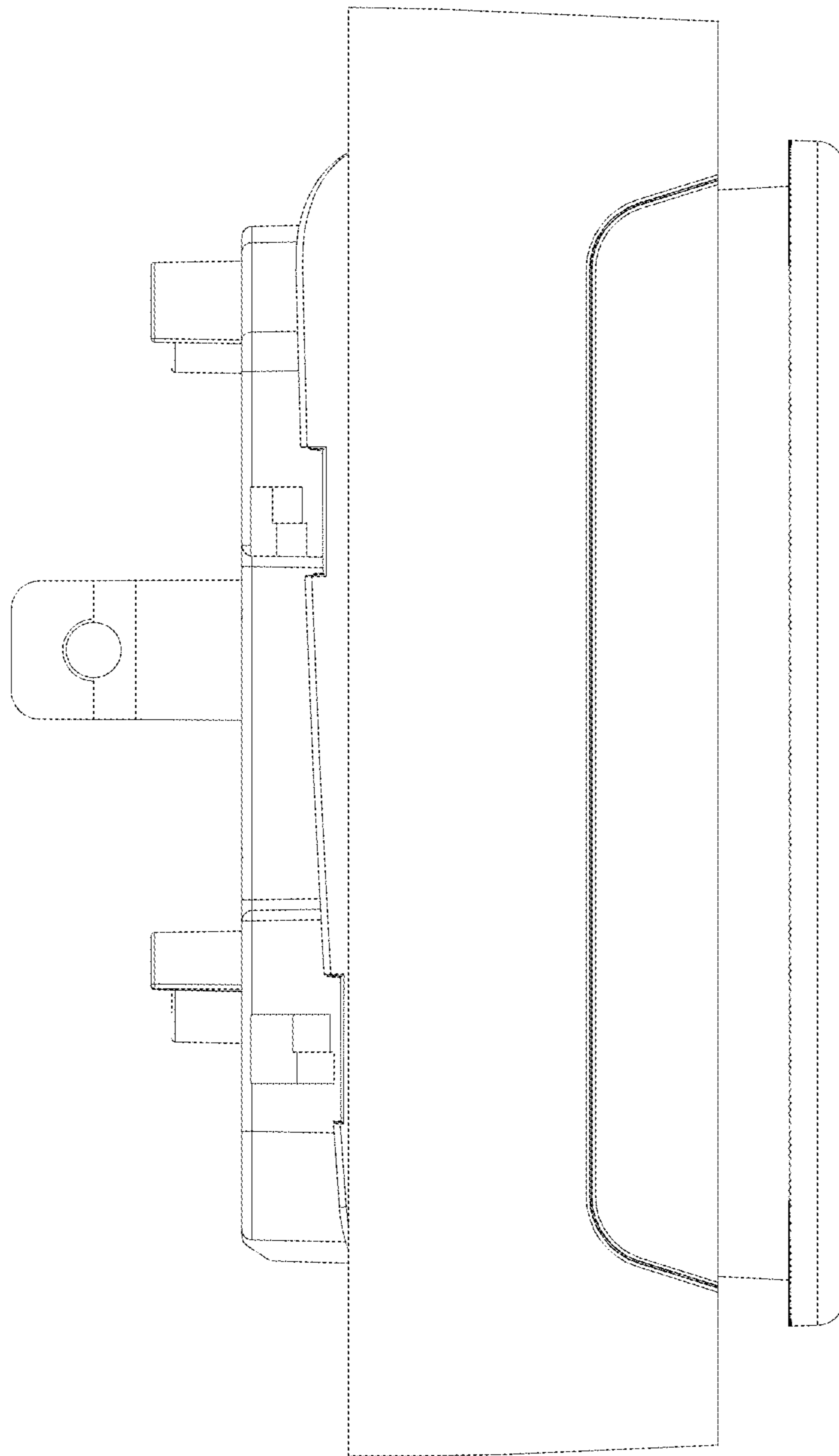


FIG. 4

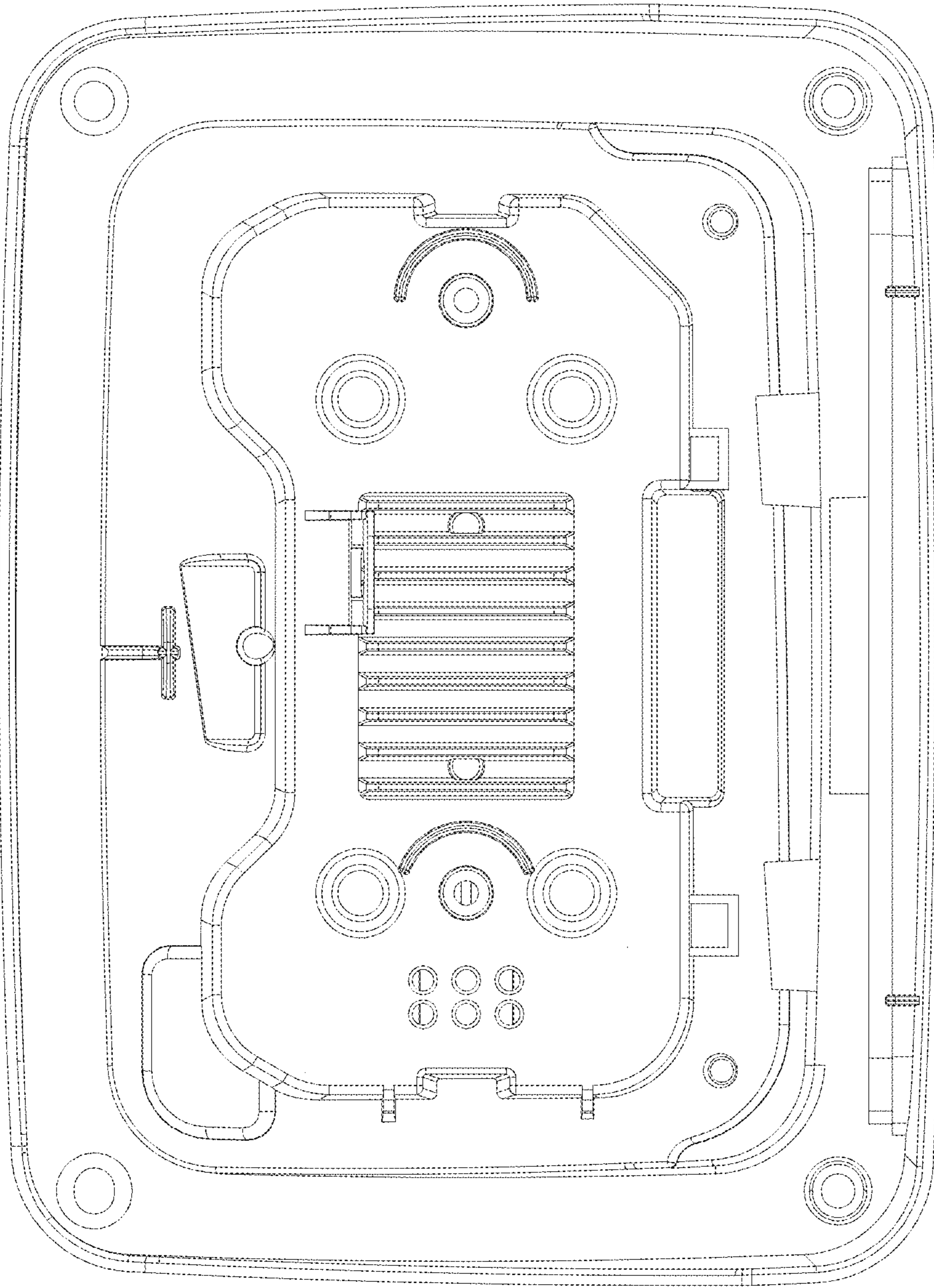


FIG. 5

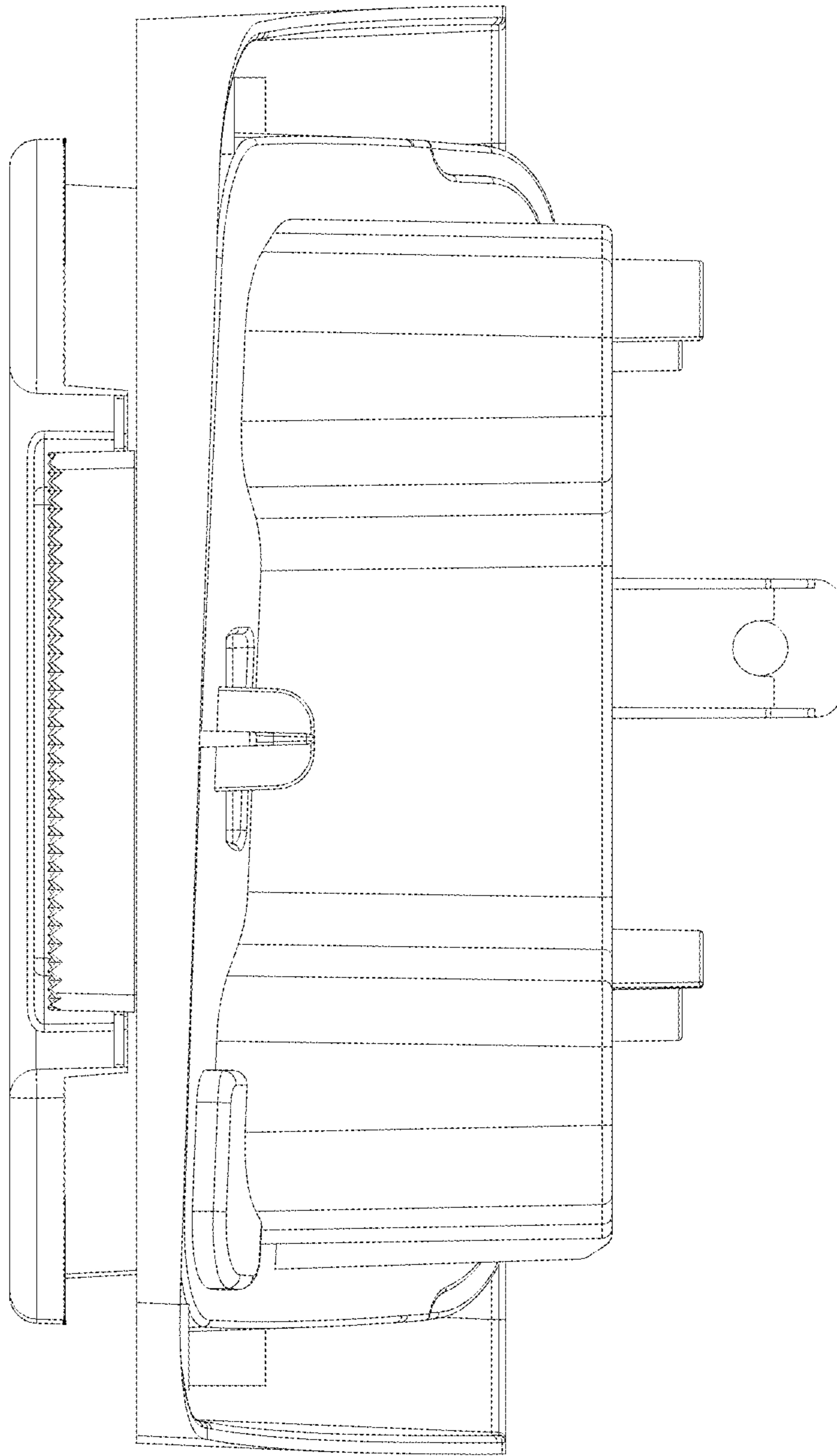


FIG. 6

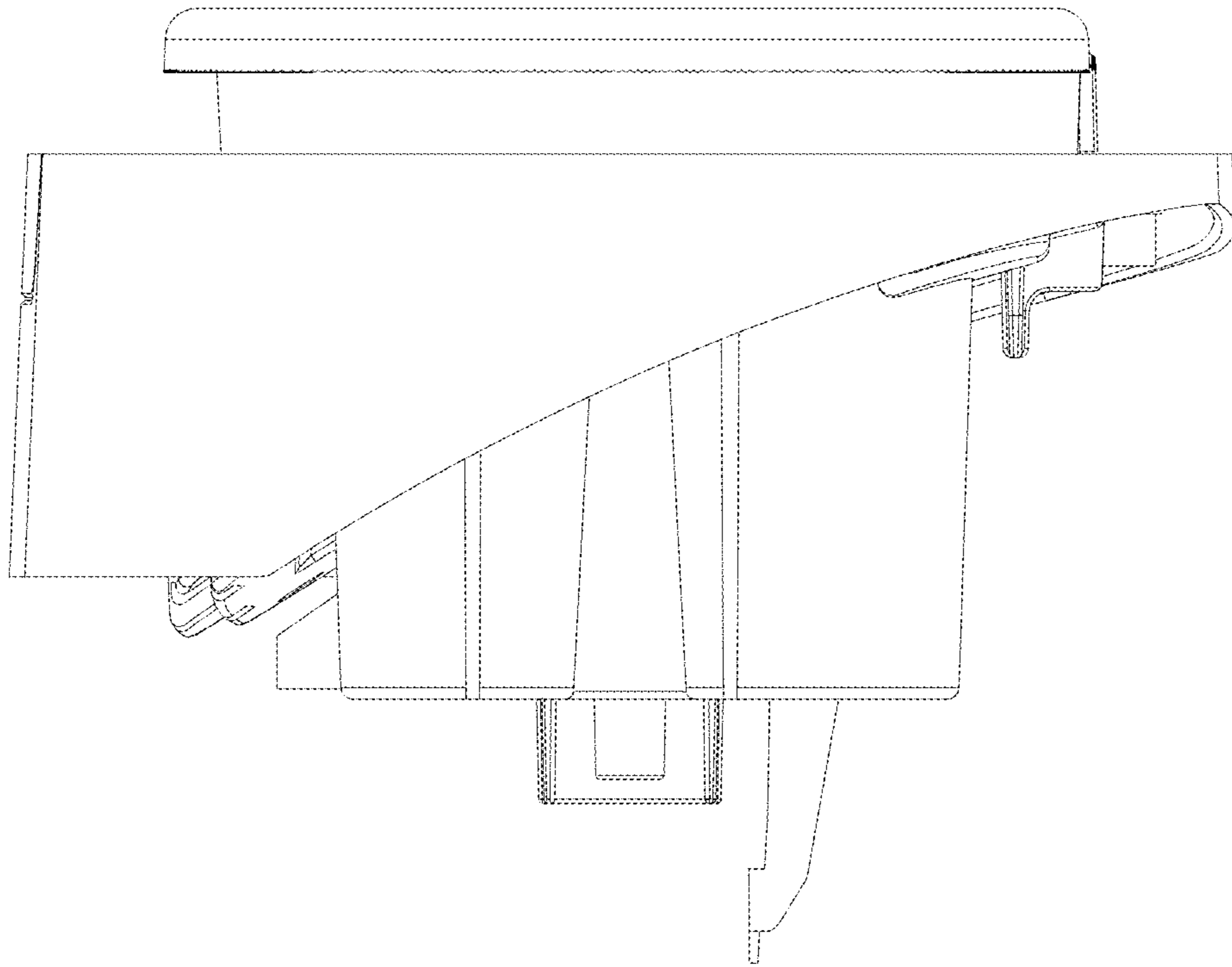


FIG. 7