



US00D921939S

(12) **United States Design Patent**  
**He**

(10) **Patent No.:** **US D921,939 S**

(45) **Date of Patent:** **\*\* Jun. 8, 2021**

(54) **HEADLIGHT FOR A VEHICLE**

(71) Applicant: **Arex Industries, Inc.**, Irwindale, CA  
(US)

(72) Inventor: **Mizeng He**, TaiZhou (CN)

(\*\*) Term: **15 Years**

(21) Appl. No.: **29/722,830**

(22) Filed: **Feb. 1, 2020**

(51) **LOC (13) Cl.** ..... **26-06**

(52) **U.S. Cl.**  
USPC ..... **D26/28**

(58) **Field of Classification Search**  
USPC ..... D26/28, 29, 30, 31, 32, 33, 34, 35, 36  
CPC ..... F21S 48/00; F21S 48/10; F21S 48/115;  
F21S 48/225; F21S 48/1233; F21S  
48/1266; F21S 48/1388; F21S 48/2268;  
F21V 21/04; F21W 2103/35; F21W 3/40;  
F21W 2102/17; F21W 2102/30; F21W  
2103/00; F21W 2103/55; F21W 2104/00;  
F21W 2107/17; F21W 2107/13  
See application file for complete search history.

(56) **References Cited**

**U.S. PATENT DOCUMENTS**

D883,526 S \* 5/2020 Lin ..... D26/28  
D883,538 S \* 5/2020 Lai ..... D26/28  
D884,940 S \* 5/2020 He ..... D26/28

D888,298 S \* 6/2020 Wu ..... D26/28  
D890,382 S \* 7/2020 Wu ..... D26/28  
D890,386 S \* 7/2020 Wu ..... D26/28  
D890,388 S \* 7/2020 Wu ..... D26/28  
D893,064 S \* 8/2020 He ..... D26/28  
D893,065 S \* 8/2020 He ..... D26/28  
D893,066 S \* 8/2020 Lin ..... D26/28  
D896,410 S \* 9/2020 He ..... D26/28  
D899,641 S \* 10/2020 He ..... D26/28  
D900,359 S \* 10/2020 He ..... D26/28

\* cited by examiner

*Primary Examiner* — Angela J Lee

(74) *Attorney, Agent, or Firm* — Theodore S. Lee, Esq.

(57) **CLAIM**

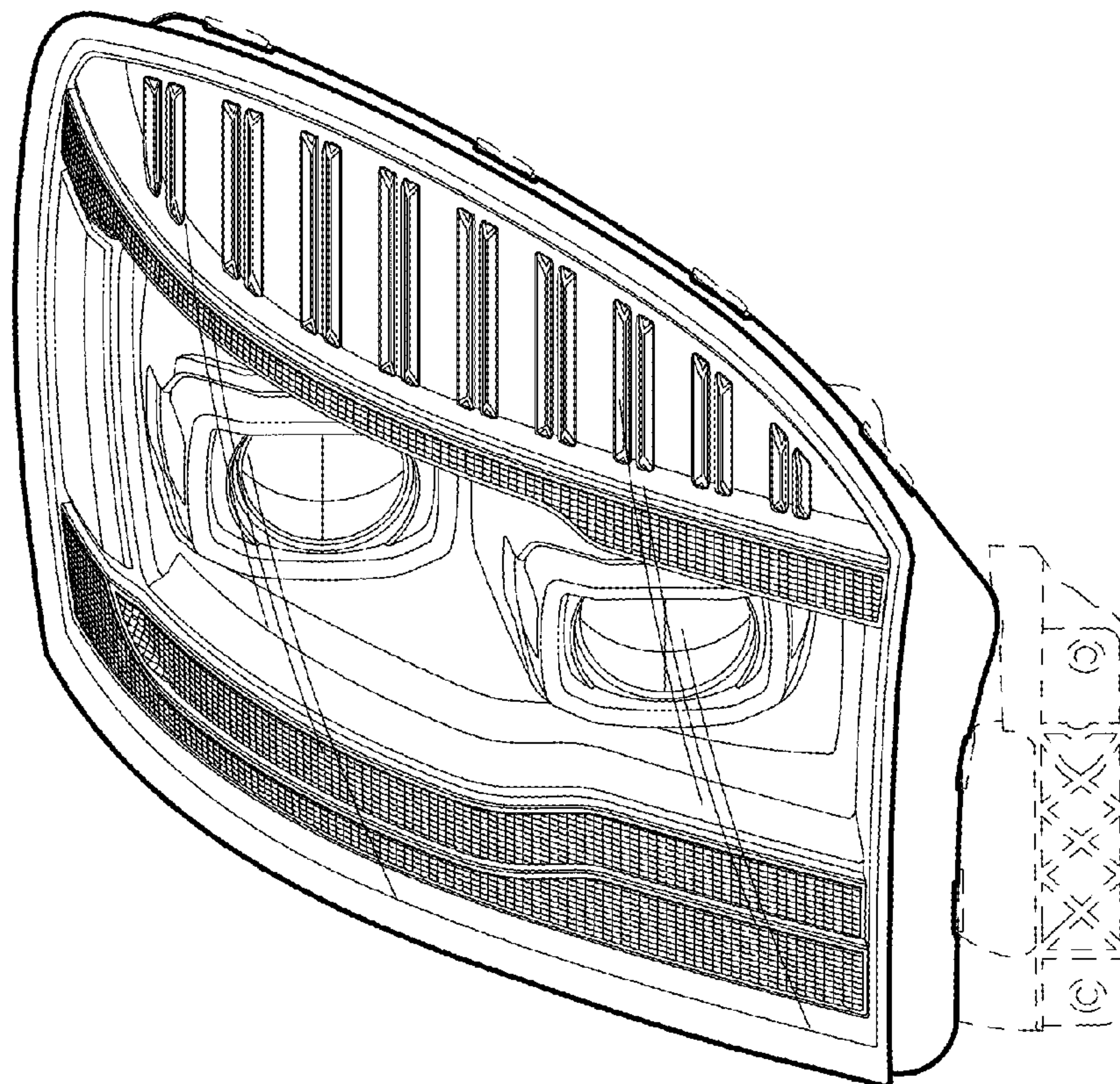
The ornamental design for a headlight for a vehicle, as shown and described.

**DESCRIPTION**

FIG. 1 is a perspective view of an headlight for a vehicle according to the novel design;  
FIG. 2 is left side view thereof;  
FIG. 3 is a front view thereof;  
FIG. 4 is a right side view thereof;  
FIG. 5 is a back side view thereof;  
FIG. 6 is an alternative perspective view thereof; and,  
FIG. 7 is a top view thereof.

The drawings and descriptions represent the left side embodiment. The claim is also for a mirror image of a right side embodiment that is not shown.

**1 Claim, 7 Drawing Sheets**



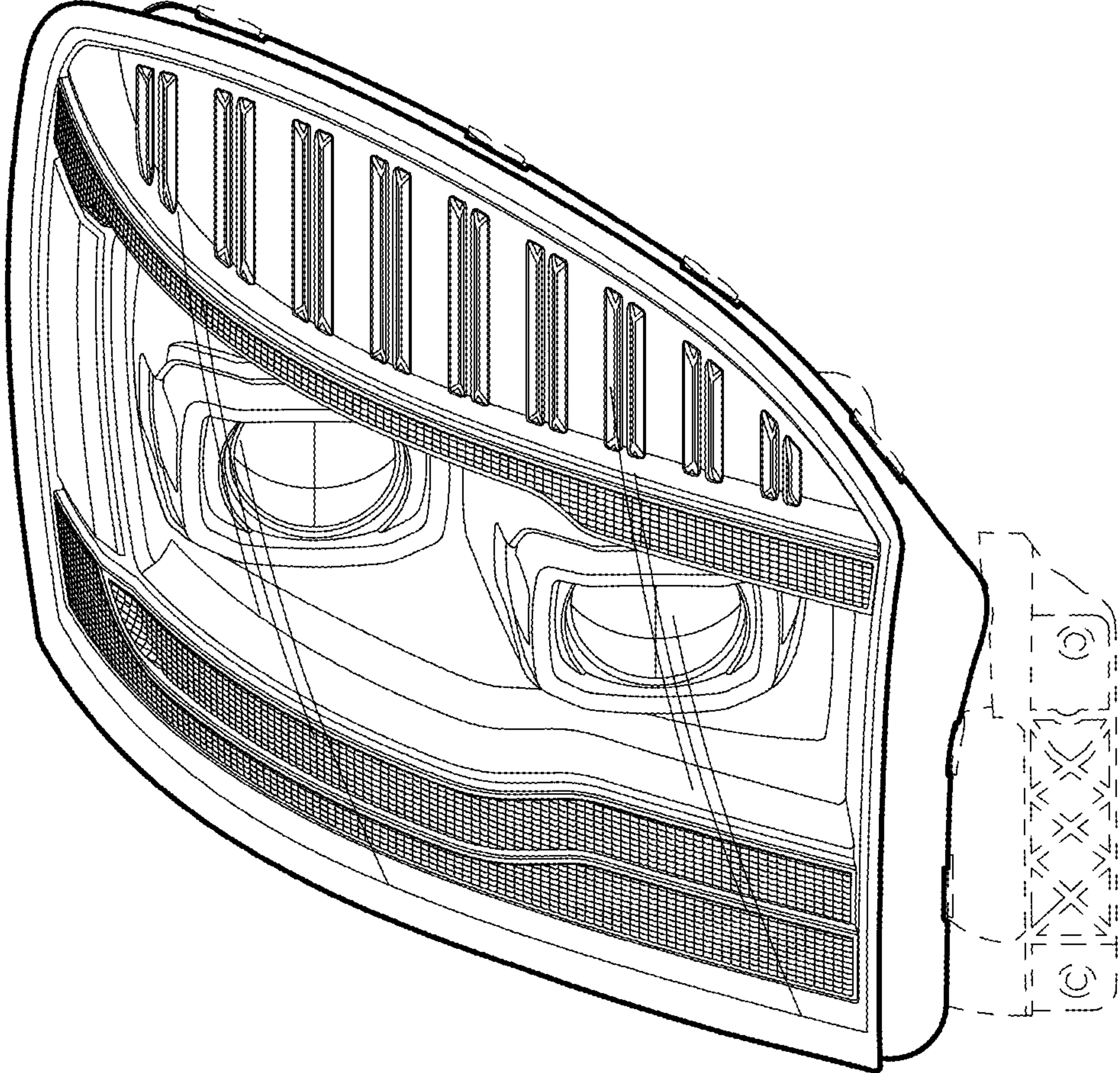


FIG. 1



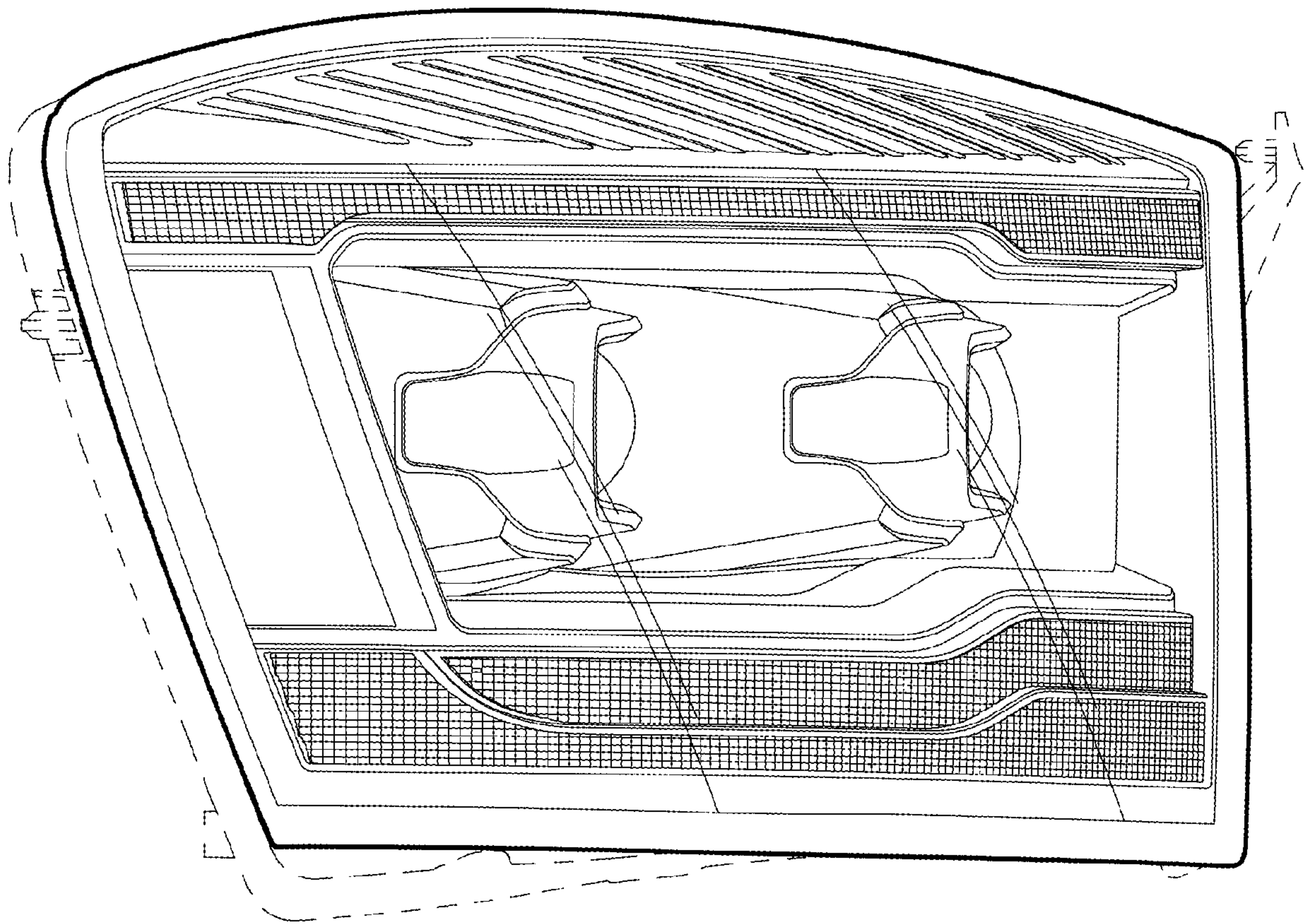


FIG. 2

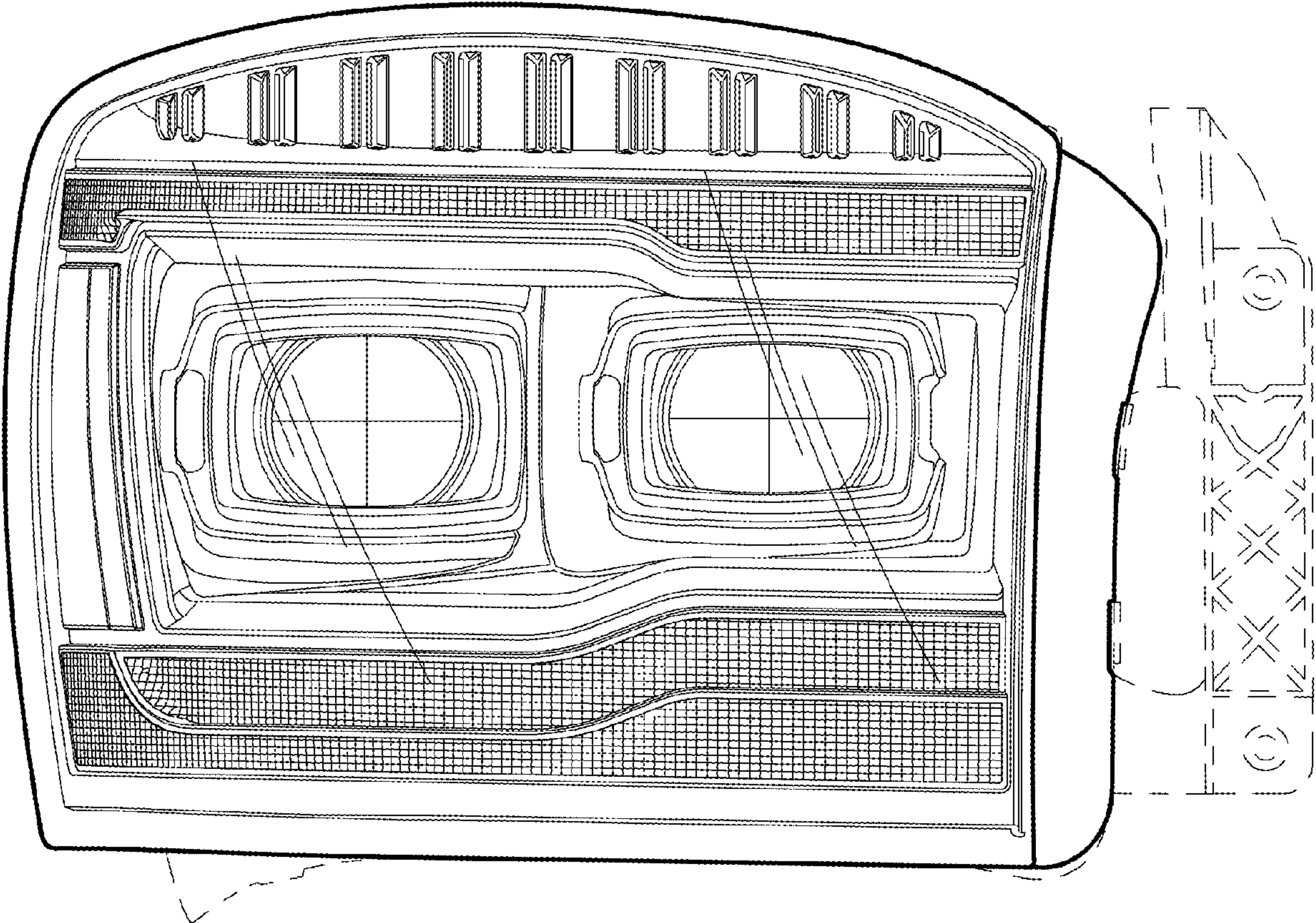


FIG. 3

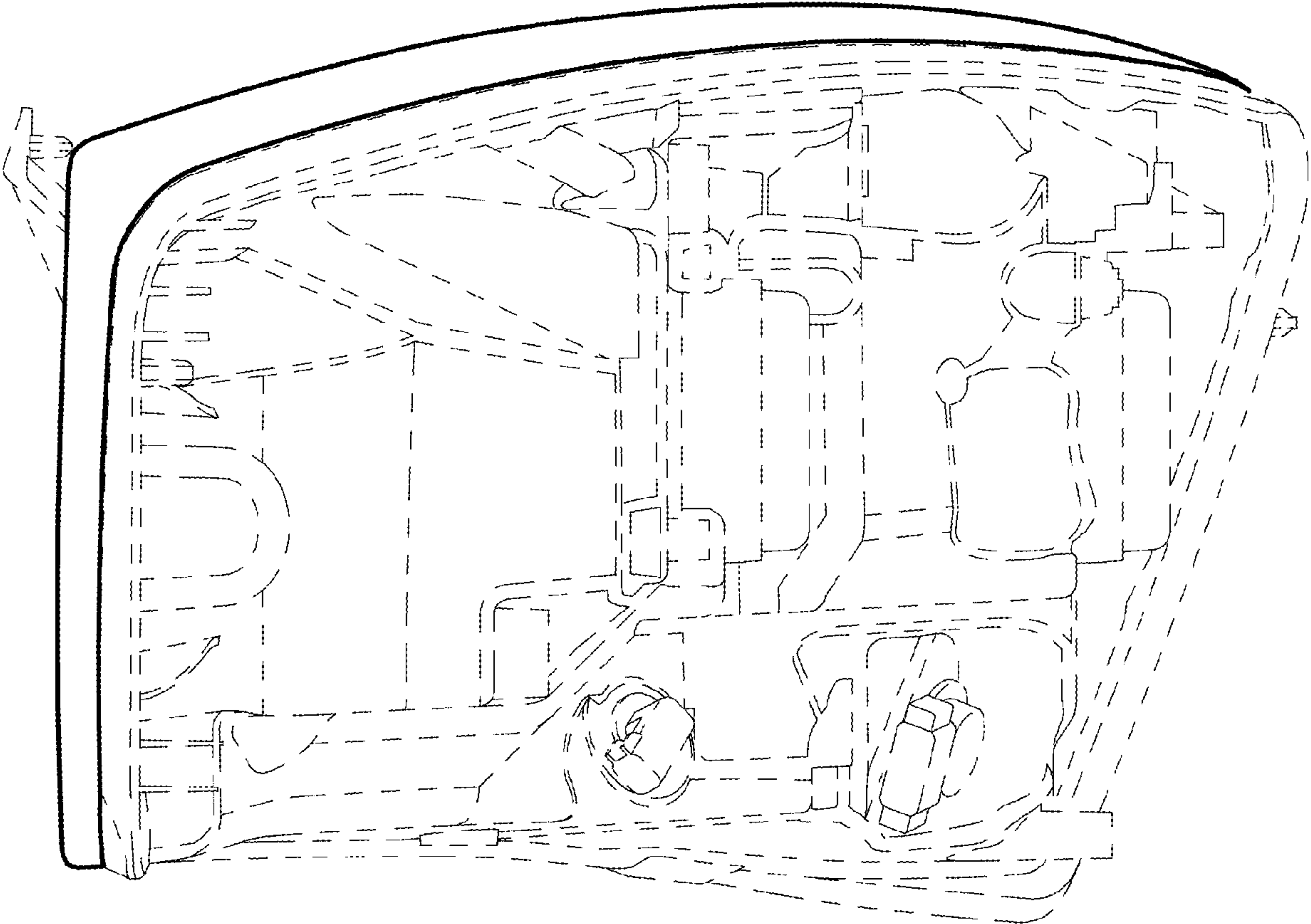


FIG. 4



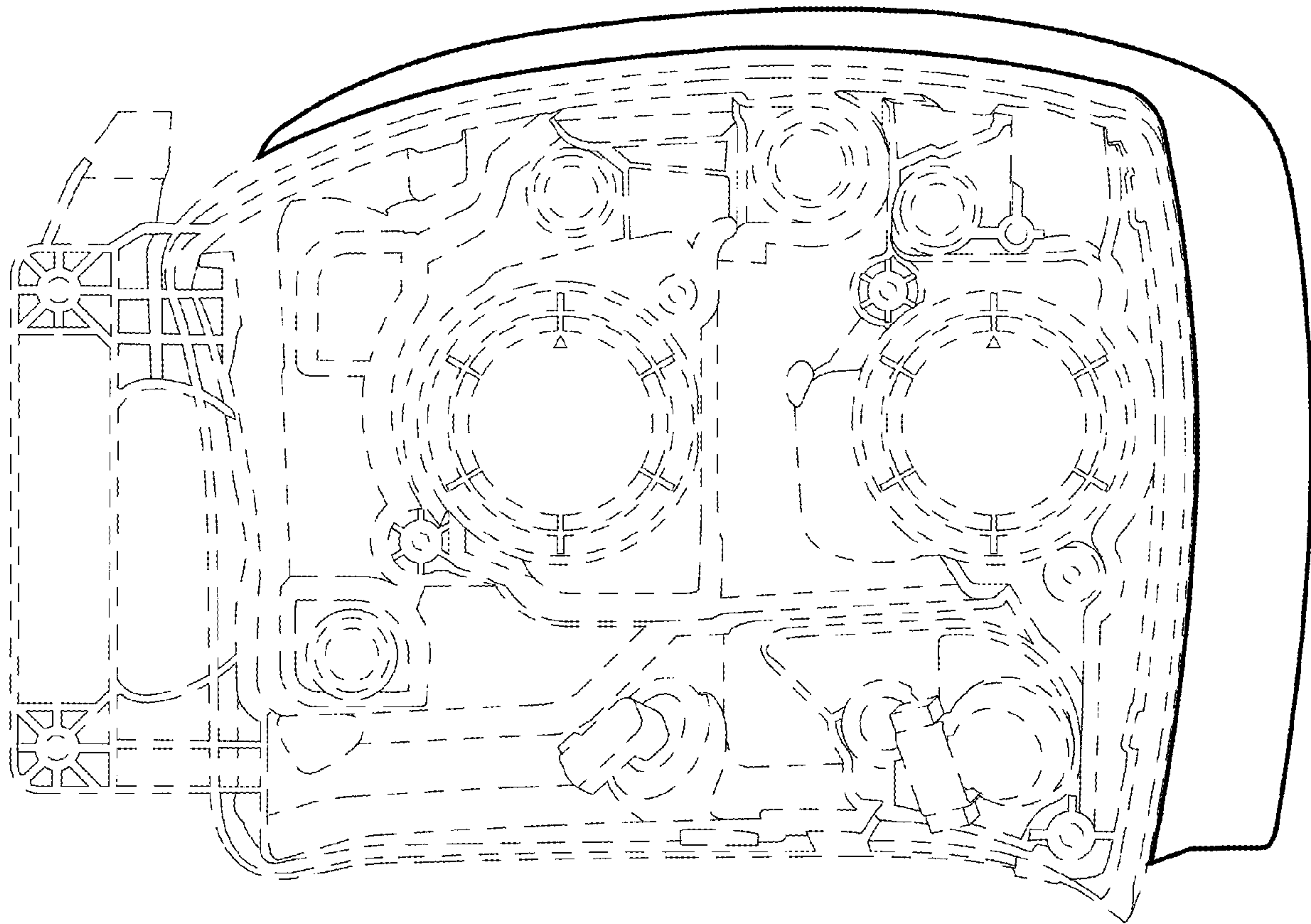


FIG. 5

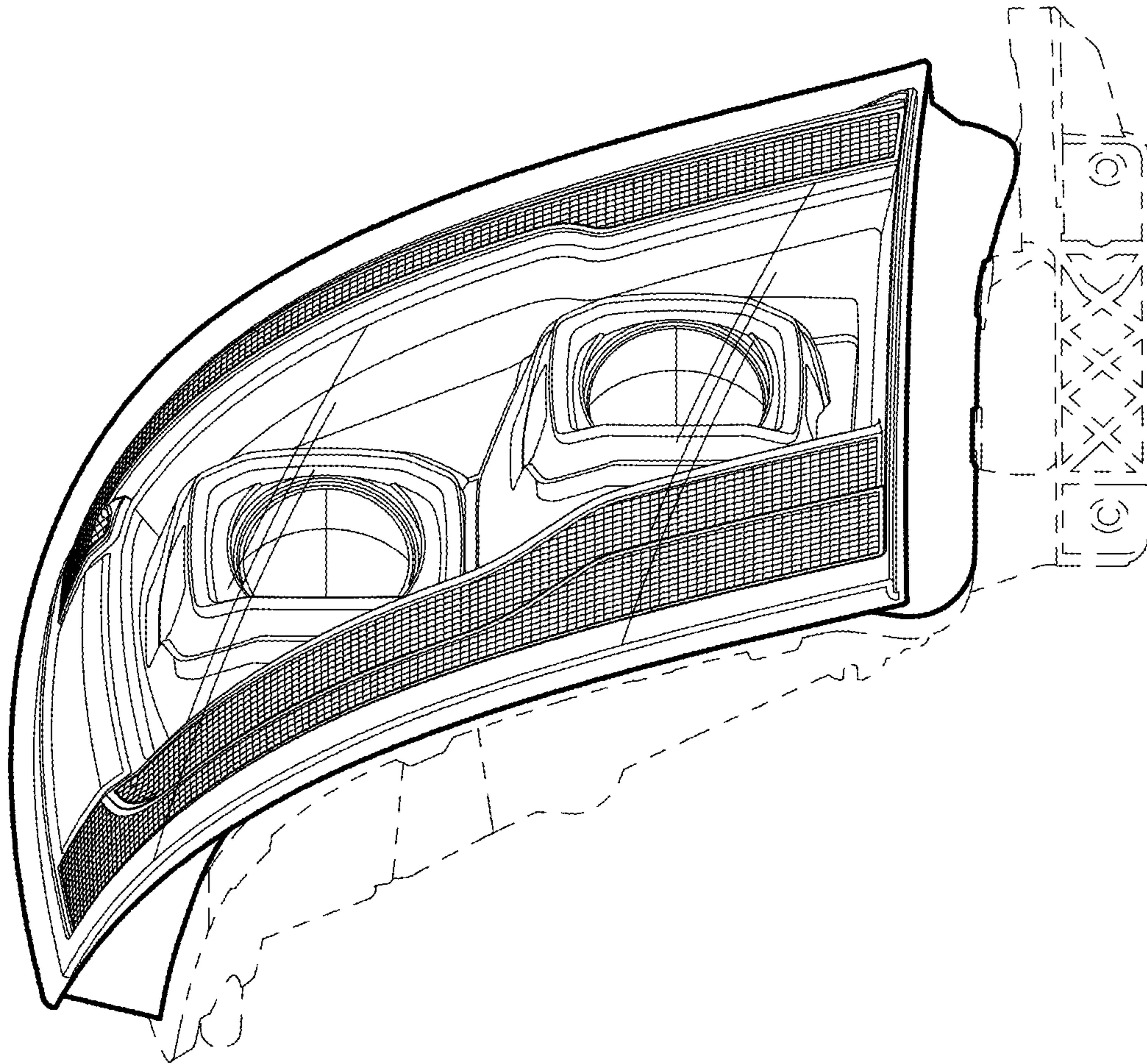
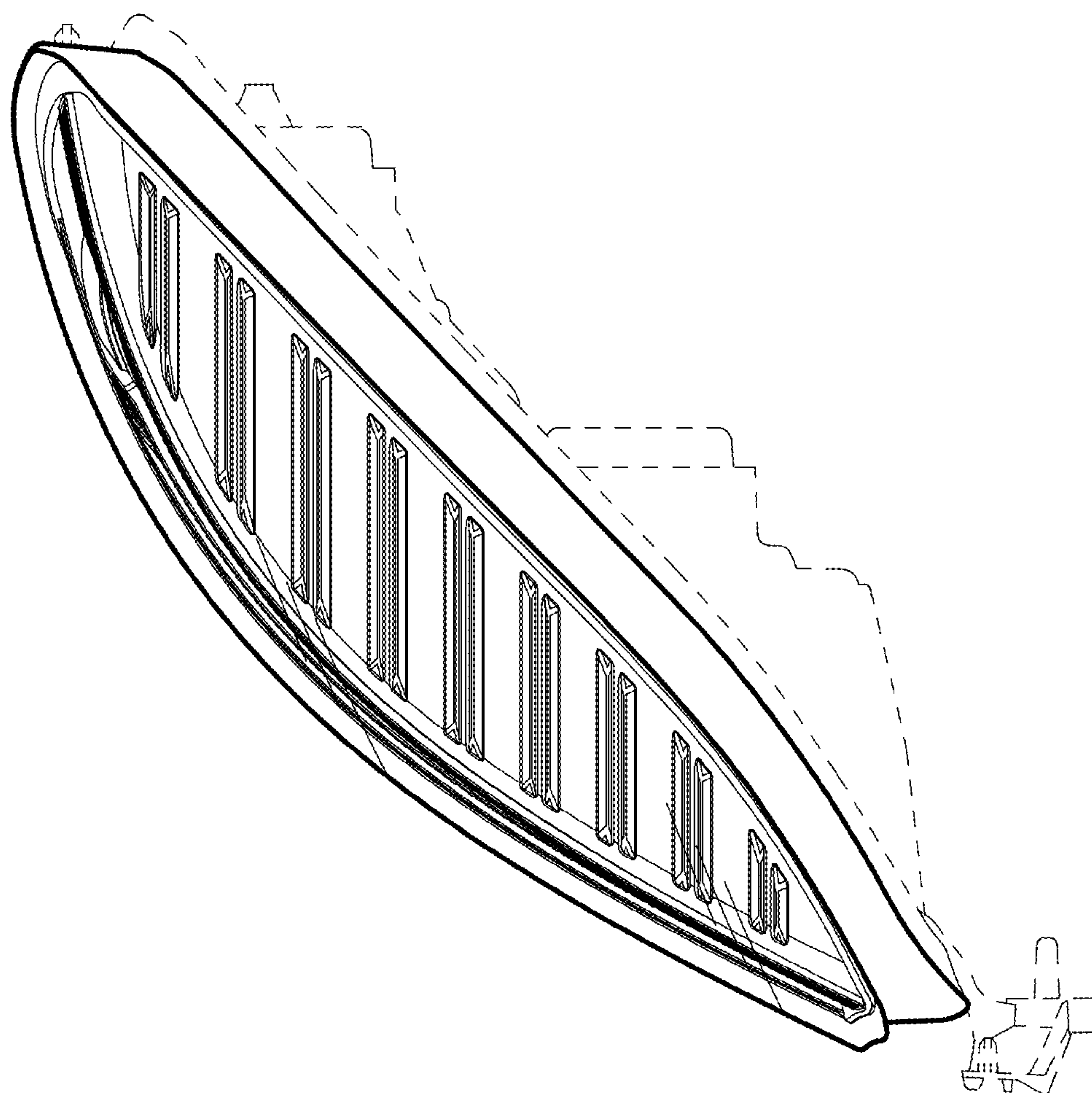


FIG. 6



**FIG. 7**