



US00D921937S

(12) **United States Design Patent**
Kasuga et al.

(10) **Patent No.:** **US D921,937 S**
(45) **Date of Patent:** **** Jun. 8, 2021**

- (54) **PROJECTOR LAMP UNIT FOR VEHICLE**
- (71) Applicant: **mitsubishi electric CORPORATION**, Tokyo (JP)
- (72) Inventors: **Kei Kasuga**, Tokyo (JP); **Tsutomu Matsubara**, Tokyo (JP); **Munetaka Nishihira**, Tokyo (JP); **Reiko Sakata**, Tokyo (JP); **Akiko Imaishi**, Tokyo (JP); **Shinsaku Fukutaka**, Tokyo (JP)
- (73) Assignee: **Mitsubishi Electric Corporation**, Tokyo (JP)
- (**) Term: **15 Years**
- (21) Appl. No.: **29/618,930**
- (22) Filed: **Sep. 26, 2017**
- (30) **Foreign Application Priority Data**

May 10, 2017 (JP) 2017-009947
 May 10, 2017 (JP) 2017-009948

- (51) **LOC (13) Cl.** **26-06**
- (52) **U.S. Cl.**
USPC **D26/28**

- (58) **Field of Classification Search**
USPC D6/301, 470, 477, 479, 661, 675.1;
D8/380; D9/418, 432; D12/86, 90-92,
D12/114, 163, 169, 171-173, 181, 190,
D12/196, 197, 199, 400; D19/85;
D20/42; D21/386, 686; D26/28-36;
D27/141, 148, 154
CPC ... B62J 6/02; B62J 6/00; B60Q 3/0279; F21S
48/00; F21S 48/10; F21S 48/115; F21S
48/225; F21S 48/1233; F21S 48/1266;
F21S 48/1388; F21S 48/2268; F21V
21/04

See application file for complete search history.

(56) **References Cited**

U.S. PATENT DOCUMENTS

D185,509 S * 6/1959 Pedersen D6/301
 3,386,590 A * 6/1968 Gretz F21V 35/00
 211/189

3,403,323 A * 9/1968 Wanlass G05F 1/325
 323/250
 3,774,332 A * 11/1973 Schneider G09F 1/12
 40/720
 4,258,960 A * 3/1981 Harris F16C 3/026
 156/154

(Continued)

OTHER PUBLICATIONS

Mitsubishi VLT-HC3800LP—Projector Lamp, first reviewed by Lamps-Circle on May 27, 2013, © 1996-2020, Amazon.com, Inc. [online], [site visited Apr. 24, 2020], Available from Internet, <URL: <https://www.amazon.com/Mitsubishi-VLT-HC3800LP-Projector-2546511-Category/dp/B002RYVFWY/>>.*

Primary Examiner — Cary M Robinson

(74) *Attorney, Agent, or Firm* — Studebaker & Brackett PC

(57) **CLAIM**

The ornamental design for a projector lamp unit for vehicle, as shown and described.

DESCRIPTION

FIG. 1. is a front perspective view of the front, right, and top sides of a projector lamp unit for vehicle showing our new design;

FIG. 2. is a front view thereof;

FIG. 3. is a rear view thereof;

FIG. 4. is a left side view thereof;

FIG. 5. is a right side view thereof;

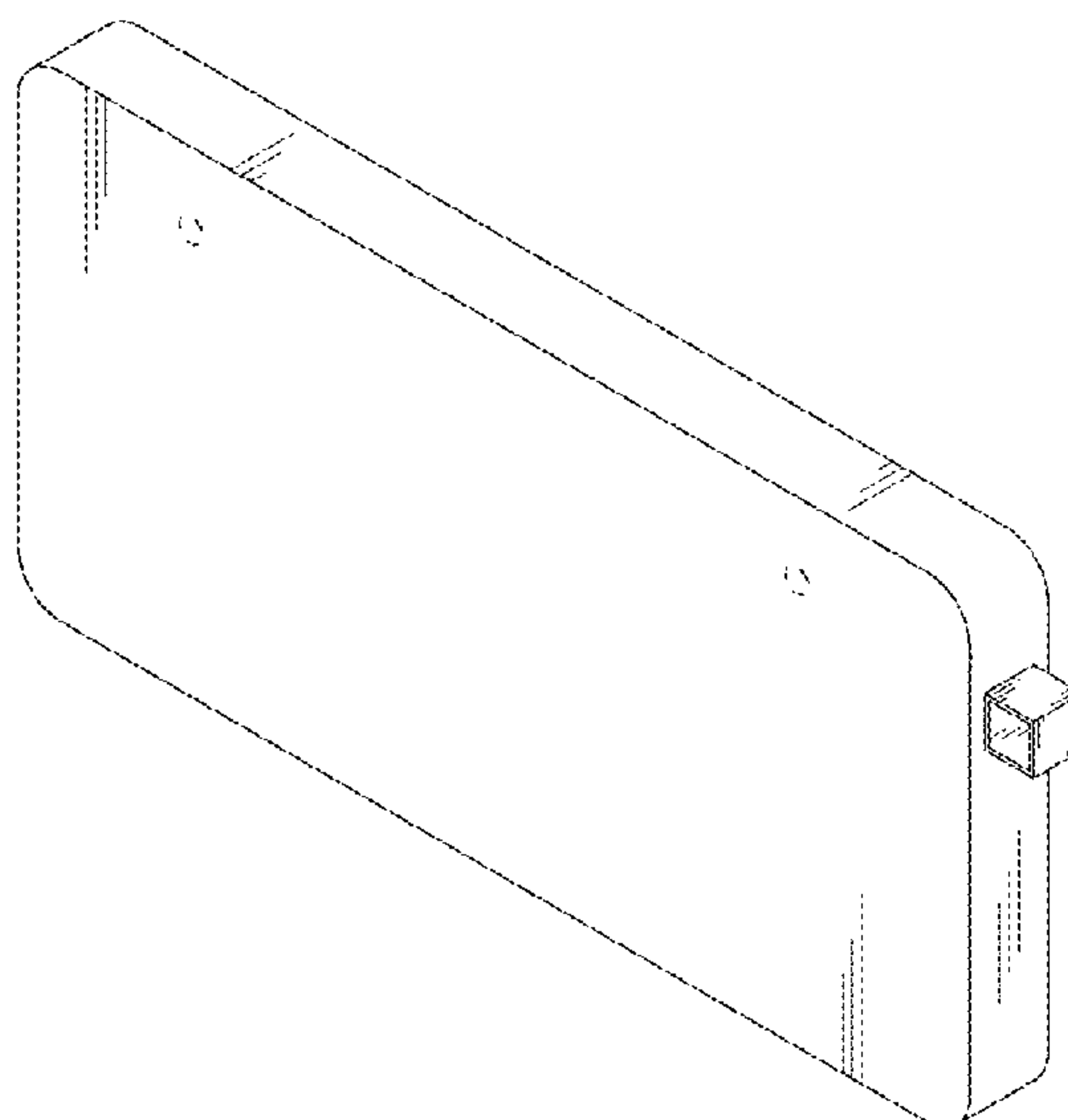
FIG. 6. is a top plan view thereof;

FIG. 7. is a bottom plan view thereof; and,

FIG. 8. is a reference view showing a usage state.

The broken lines shown illustrate portions of the projector lamp unit for vehicle in which the design is embodied and form no part of the claimed design.

1 Claim, 8 Drawing Sheets



(56)

References Cited

U.S. PATENT DOCUMENTS

5,014,115 A * 5/1991 Moser H01L 23/66
257/659
5,155,659 A * 10/1992 Kunert G06F 3/0238
220/375
D386,533 S * 11/1997 Kvoka D20/42
5,943,836 A * 8/1999 Kassardjian E04G 21/32
248/523
5,947,786 A * 9/1999 Glick A63H 33/04
446/85
5,969,952 A * 10/1999 Hayashi H05K 3/3426
361/774
6,176,462 B1 * 1/2001 Jansen E04G 13/00
249/208
D444,177 S * 6/2001 Carretta D19/77
D505,746 S * 5/2005 Chen D27/141
RE38,836 E * 10/2005 Krause A47B 87/007
312/108
D553,393 S * 10/2007 Cassel D6/675.1
D560,400 S * 1/2008 Austin D6/675
D592,889 S * 5/2009 Carter D6/661
D627,212 S * 11/2010 Hikoyama D8/380
D710,451 S * 8/2014 Reuter D21/386
D729,059 S * 5/2015 Taylor D9/432
D754,266 S * 4/2016 Ross D21/686
D754,267 S * 4/2016 Ross D21/686
2003/0010738 A1 * 1/2003 Hsia A47B 47/042
211/188
2004/0035039 A1 * 2/2004 Bilinszky B60R 11/00
40/722
2008/0000863 A1 * 1/2008 DiBello A47B 61/00
211/134

* cited by examiner

Fig. 1

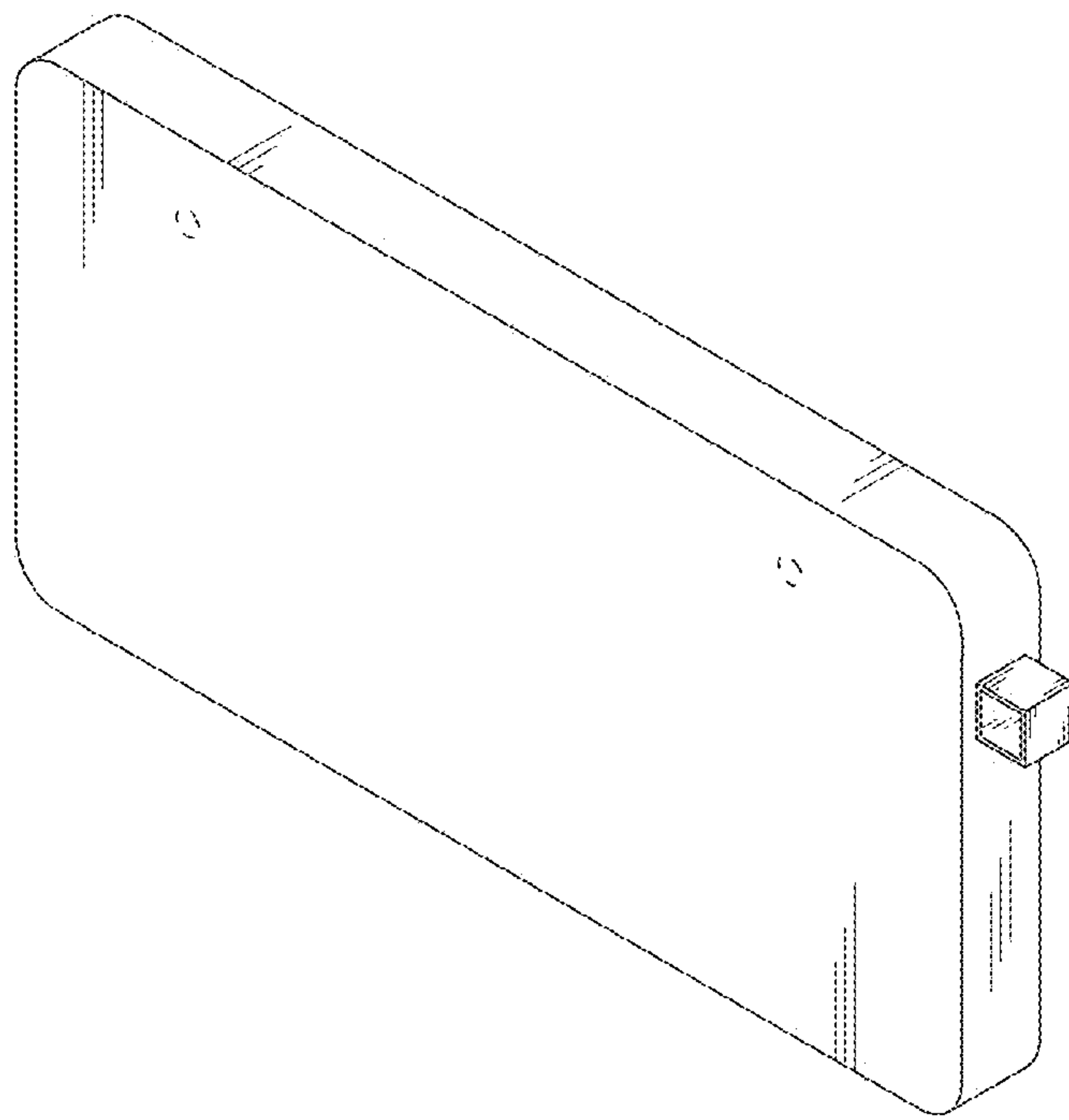


Fig.2



Fig.3



Fig.4

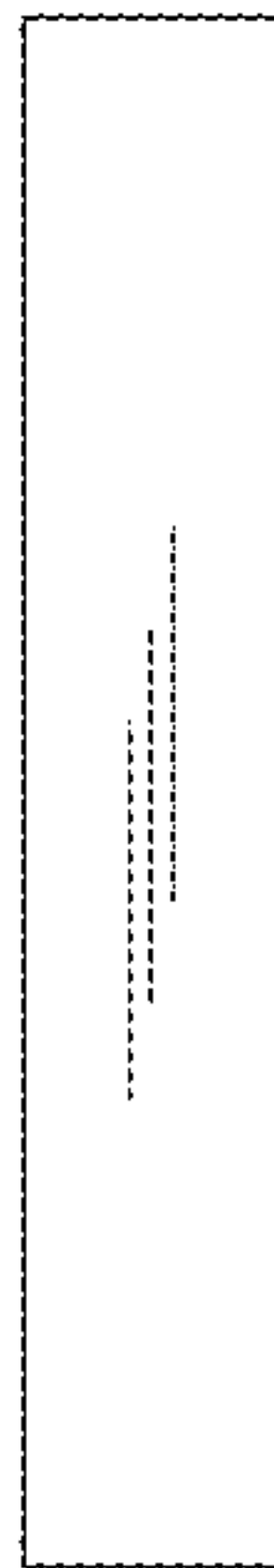


Fig.5

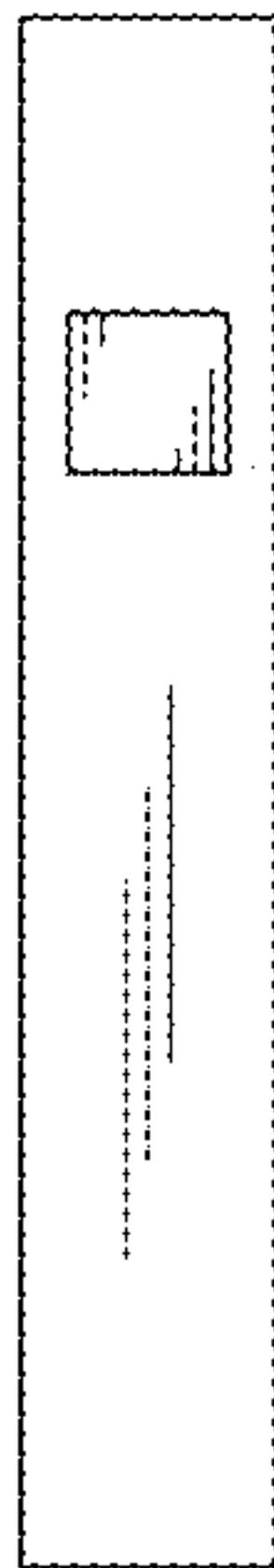


Fig.6



Fig.7



Fig.8

