



US00D921936S

(12) **United States Design Patent**
Zhou

(10) **Patent No.:** **US D921,936 S**
(45) **Date of Patent:** **** Jun. 8, 2021**

- (54) **LED LIGHT** 6,598,995 B2 * 7/2003 Huang F21V 19/0005
362/249.01
- (71) Applicant: **LINHAI FUNIAO LIGHTING CO., LTD.**, Taizhou (CN) D498,171 S 11/2004 Webster
7,063,452 B2 * 6/2006 Kuo F21V 19/0005
362/249.06
- (72) Inventor: **Zhenbin Zhou**, Taizhou (CN) D546,982 S * 7/2007 Van Dyn Hoven D26/4
D778,468 S 2/2017 van der Lande
- (73) Assignee: **LINHAI FUNIAO LIGHTING CO., LTD.**, Taizhou (CN) D889,696 S * 7/2020 Cao D26/25
2004/0257799 A1 * 12/2004 Yao F21S 4/10
362/123
- (**) Term: **15 Years** 2011/0122625 A1 * 5/2011 Carone F21S 4/10
362/249.14

* cited by examiner

(21) Appl. No.: **29/762,769**

(22) Filed: **Dec. 18, 2020**

Primary Examiner — Brian N. Vinson

Related U.S. Application Data

(62) Division of application No. 29/745,126, filed on Aug. 4, 2020, now Pat. No. Des. 910,889.

(51) **LOC (13) Cl.** **26-03**

(52) **U.S. Cl.**
USPC **D26/25**

(58) **Field of Classification Search**
USPC D26/2, 25; D11/117, 119, 124, 122, 125
CPC F21S 4/00; F21S 4/001; F21S 4/002; F21S
4/003; F21S 4/005; F21S 4/10; F21W
2121/00; F21W 2121/004; F21W
2121/04; F21V 10/0005

See application file for complete search history.

(56) **References Cited**

U.S. PATENT DOCUMENTS

- 4,733,488 A * 3/1988 Yokoyama F21S 4/10
313/498
- D381,287 S * 7/1997 Fussell D11/119
- D452,576 S * 12/2001 Liu D26/25
- D477,425 S * 7/2003 Gordon D26/25

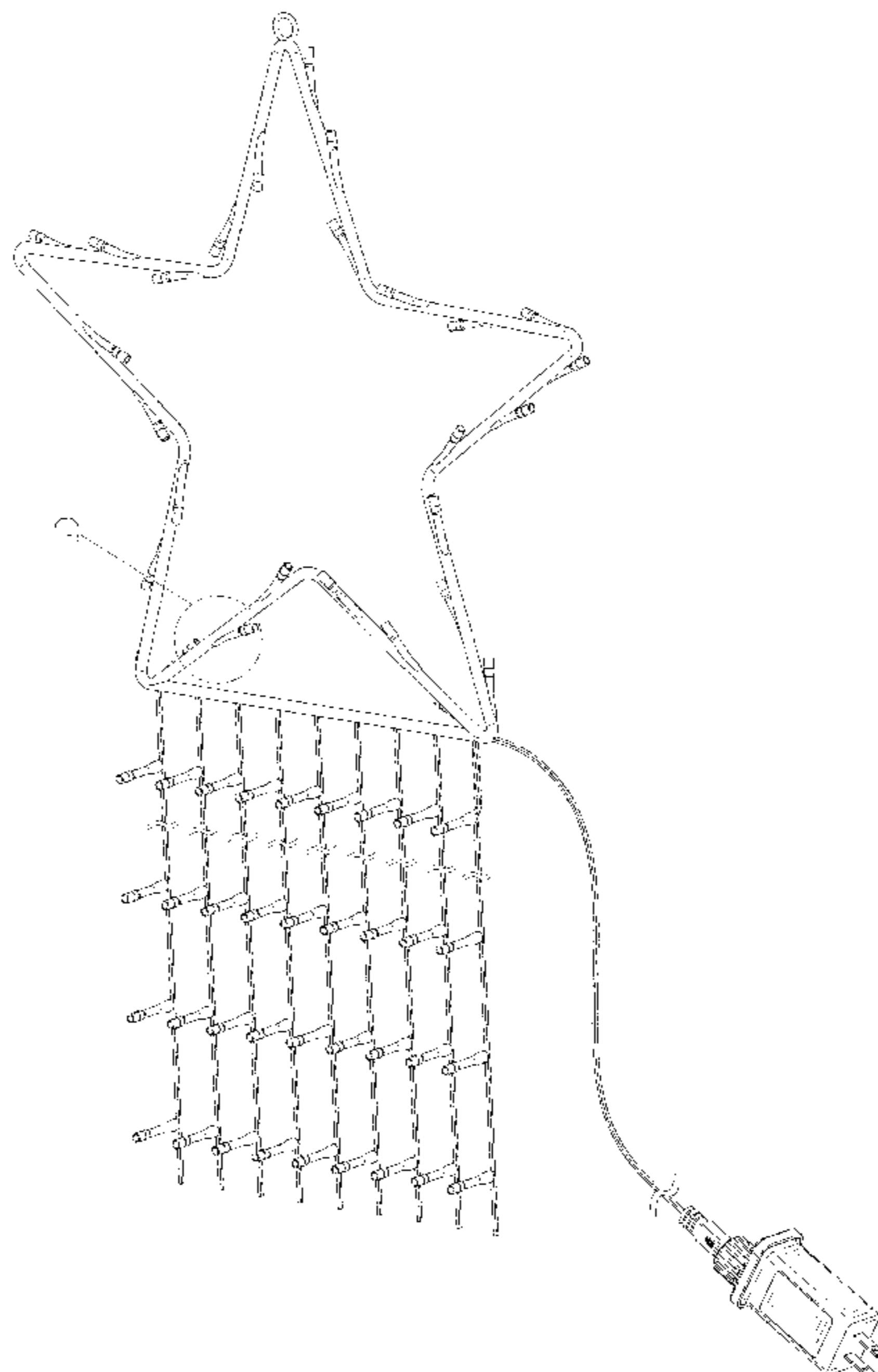
(57) **CLAIM**

The ornamental design for an LED light, as shown and described.

DESCRIPTION

FIG. 1 is a perspective view of an LED light showing my new design;
 FIG. 2 is another perspective view thereof;
 FIG. 3 is a front elevational view thereof;
 FIG. 4 is a rear elevational view thereof;
 FIG. 5 is a left side elevational view thereof;
 FIG. 6 is a right side elevational view thereof;
 FIG. 7 is a top plan view thereof;
 FIG. 8 is a bottom plan view thereof; and,
 FIG. 9 is an enlarged view of portion 9 shown in FIG. 1.
 The LED light is shown with a symbolic break in its length and the appearance of any portion of the LED light between the break lines form no part of the claimed design. The broken lines in the drawings depict portions of the LED light that form no part of the claimed design.

1 Claim, 9 Drawing Sheets



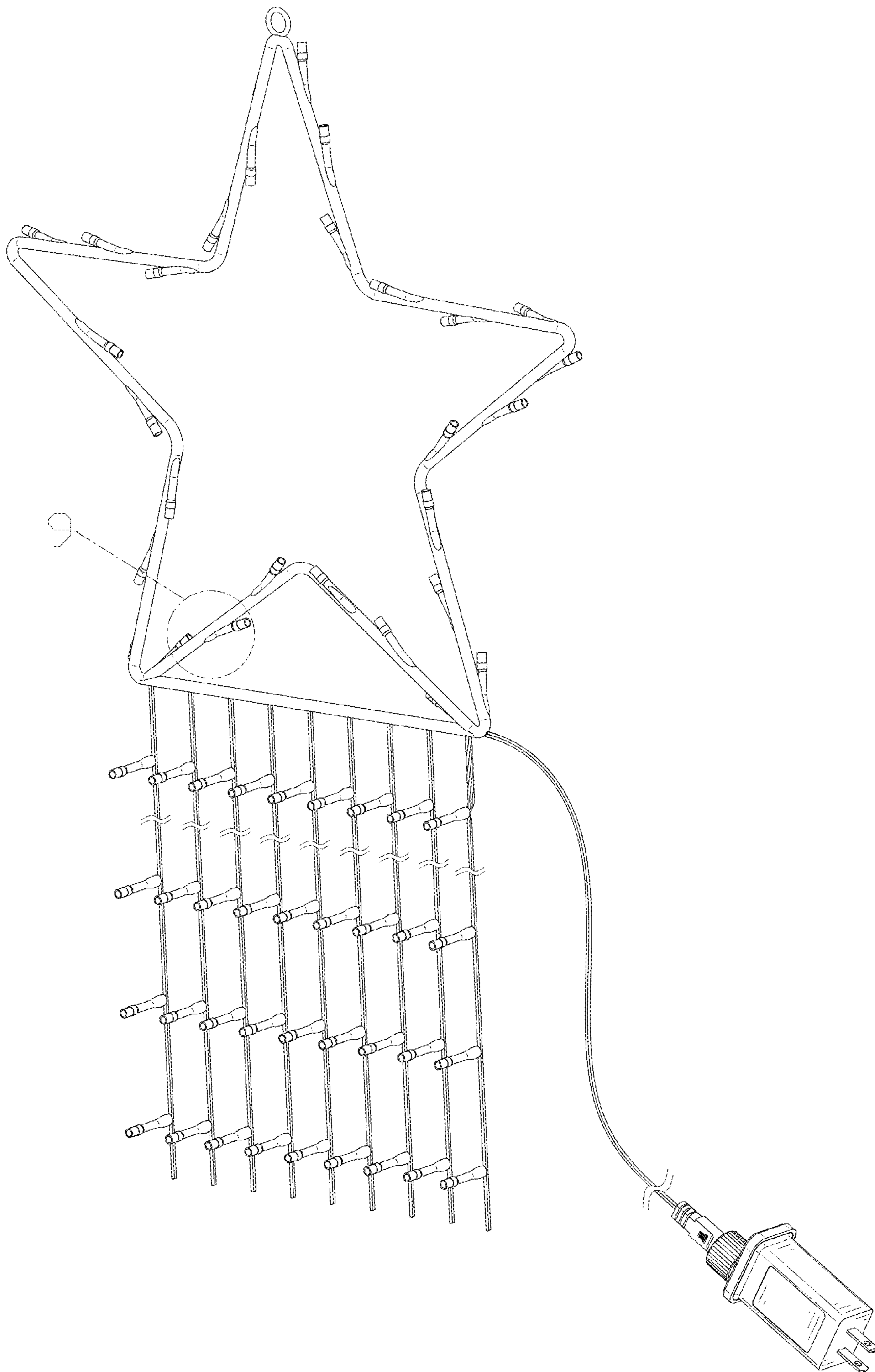


FIG. 1

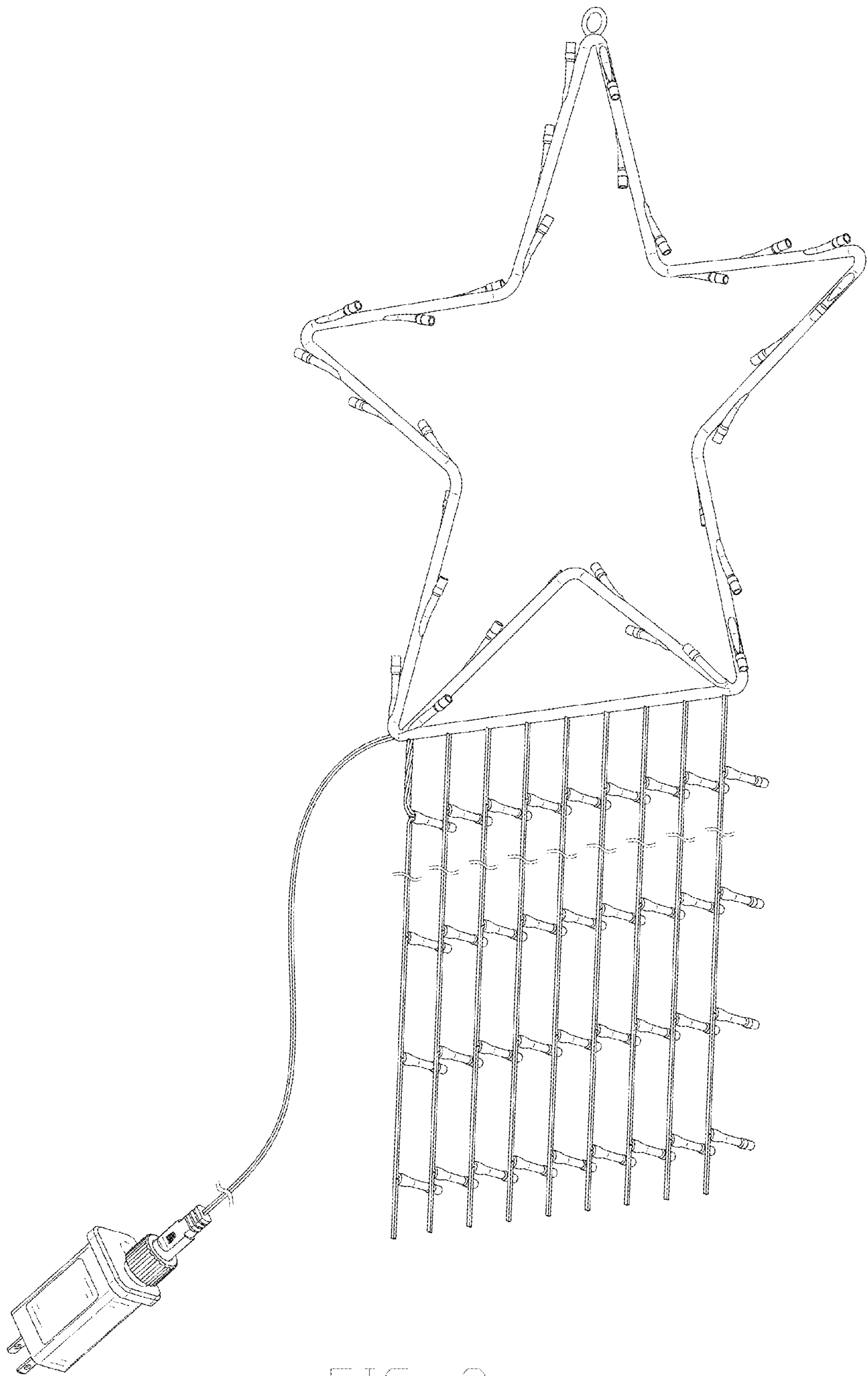


FIG. 2

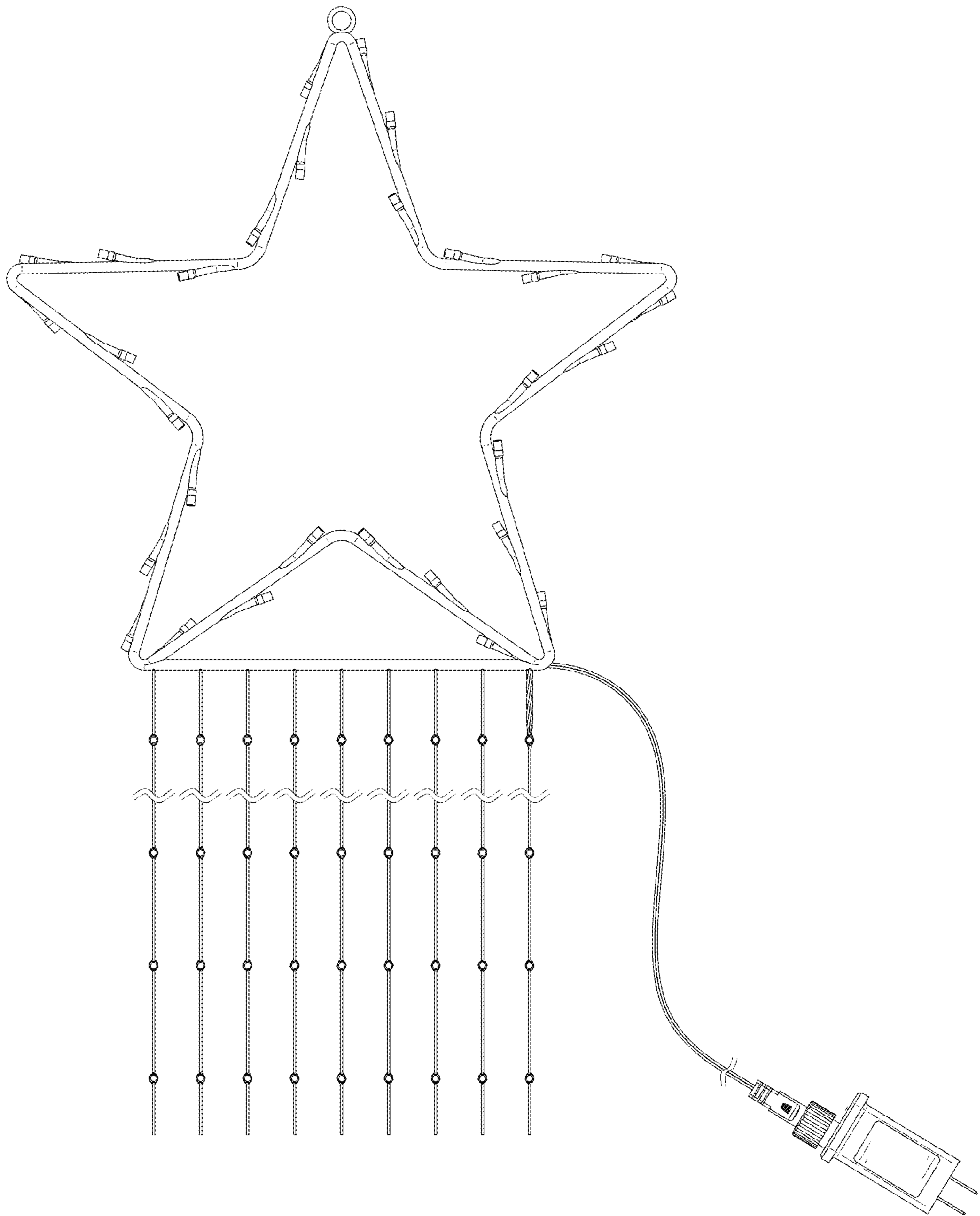


FIG. 3

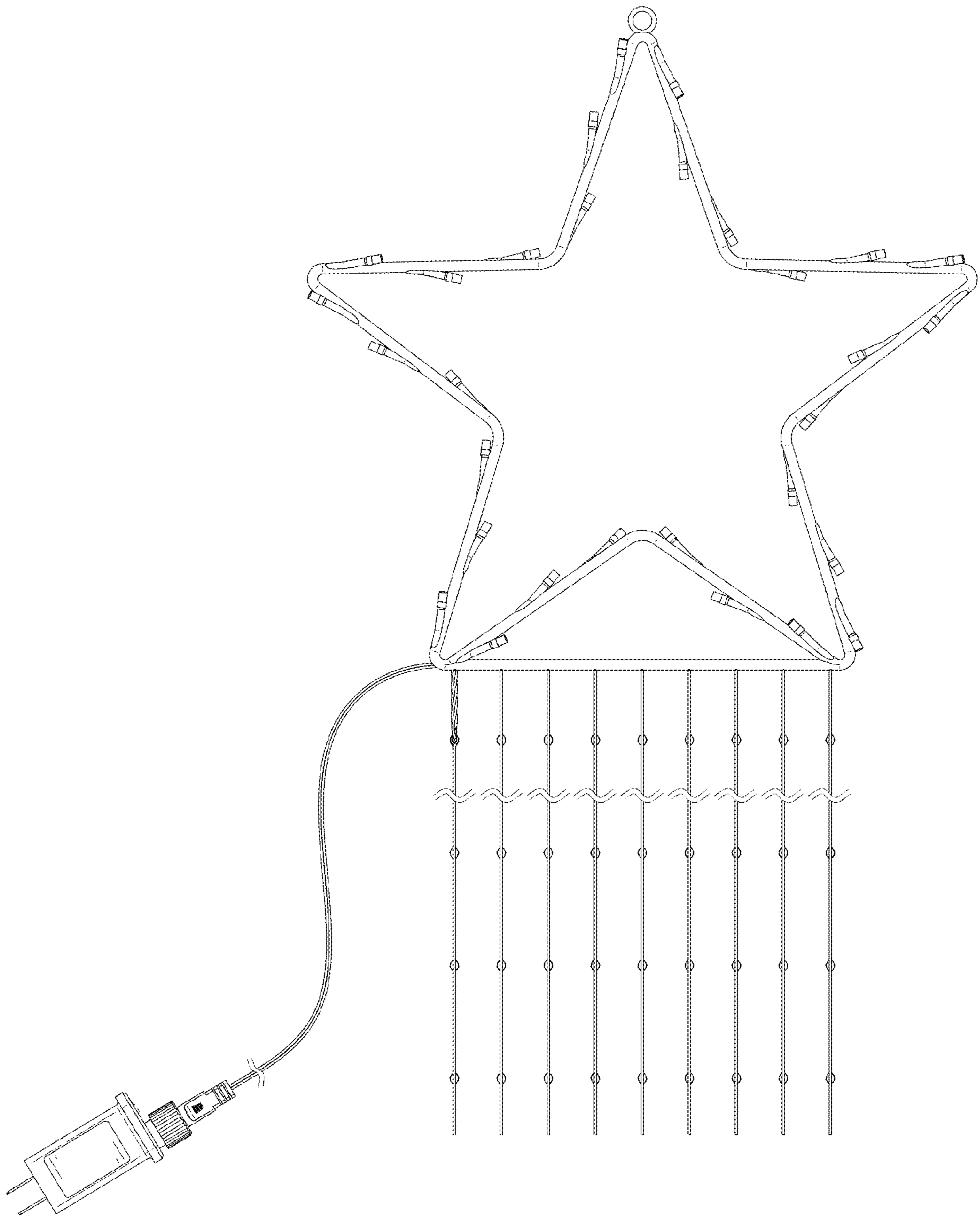


FIG. 4

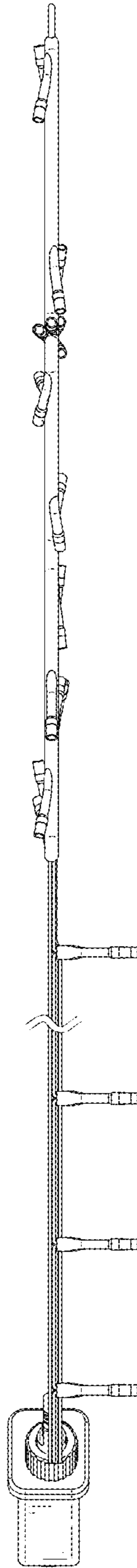


FIG. 5

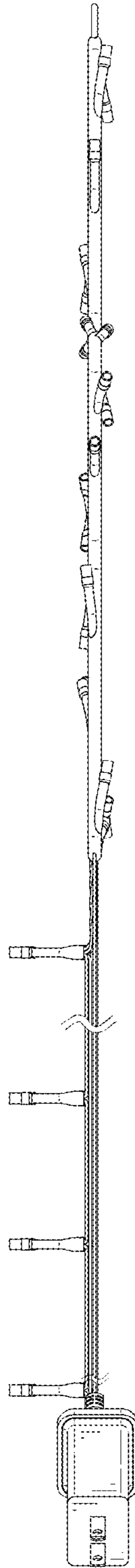


FIG. 6

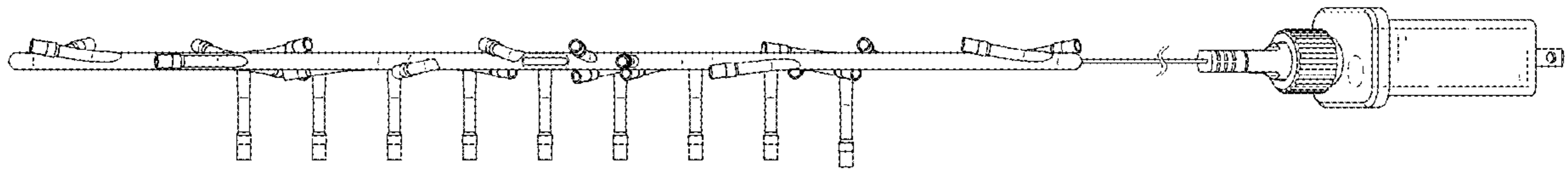


FIG 7

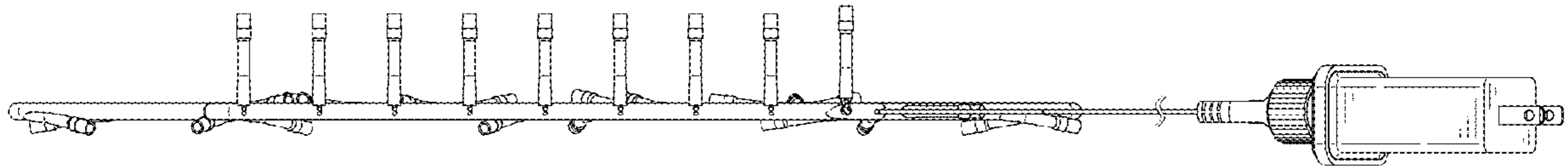


FIG. 8

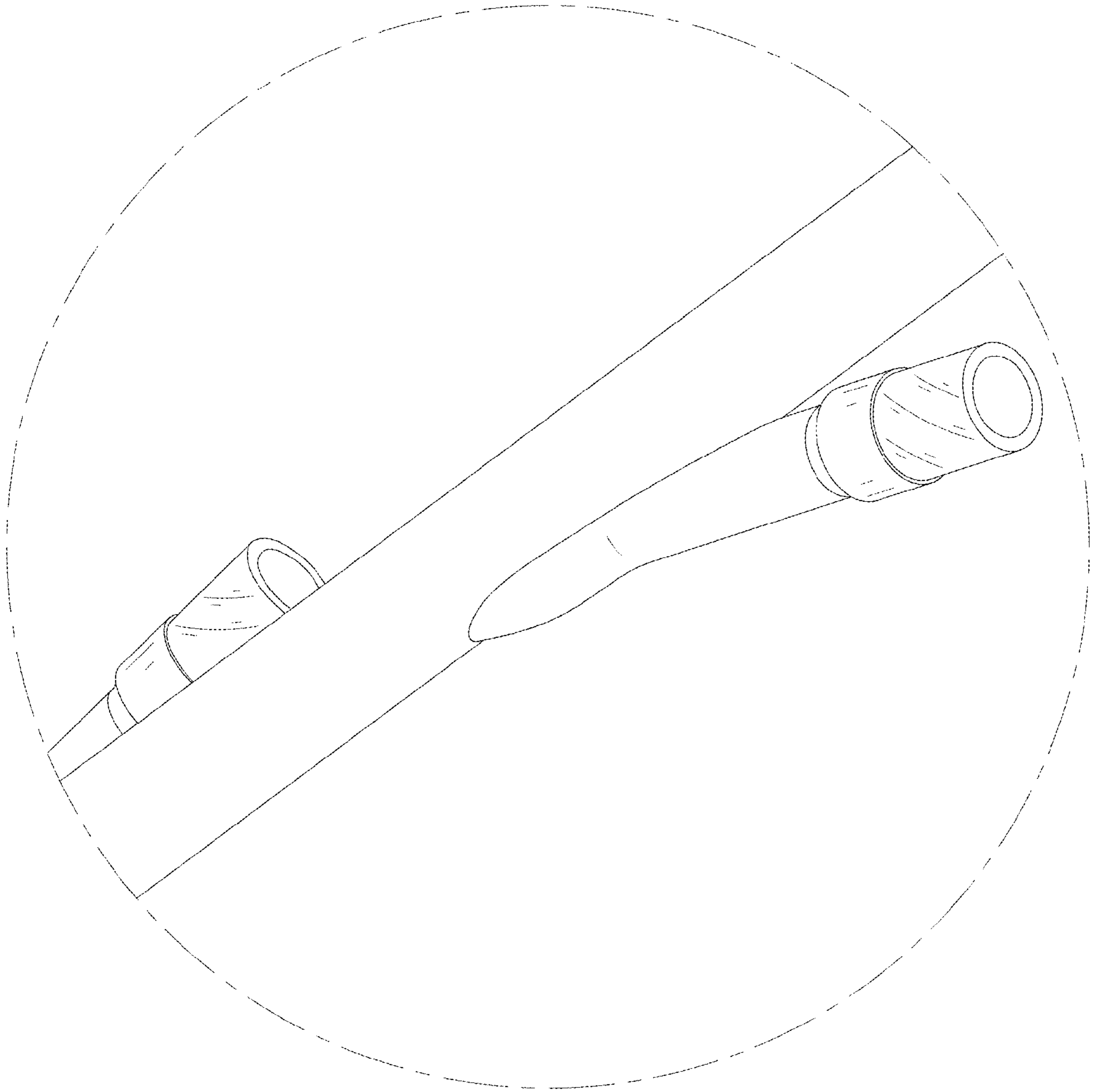


FIG. 9