

US00D921935S

(12) **United States Design Patent**
Lazzarini et al.

(10) **Patent No.:** **US D921,935 S**
(45) **Date of Patent:** **** Jun. 8, 2021**

- (54) **WIRE GRATING STRUCTURE**
- (71) Applicant: **Aqseptence Group Pty Ltd.**, Geebung (AU)
- (72) Inventors: **David John Lazzarini**, Geebung (AU); **Yusuf Cajee**, Geebung (AU)
- (73) Assignee: **Aqseptence Group Pty Ltd.**, Geebung (AU)
- (**) Term: **15 Years**
- (21) Appl. No.: **29/672,730**
- (22) Filed: **Dec. 7, 2018**

Related U.S. Application Data

- (62) Division of application No. 29/562,539, filed on Apr. 26, 2016, now Pat. No. Des. 846,161.

(30) **Foreign Application Priority Data**

Oct. 26, 2015	(AU)	201515688
Oct. 26, 2015	(AU)	201515689
Oct. 26, 2015	(AU)	201515690
Oct. 26, 2015	(AU)	201515691
Oct. 26, 2015	(AU)	201515692
Oct. 26, 2015	(AU)	201515693
Oct. 26, 2015	(AU)	201515694
Oct. 26, 2015	(AU)	201515695
Oct. 26, 2015	(AU)	201515696

- (51) **LOC (13) Cl.** **25-01**
- (52) **U.S. Cl.**
USPC **D25/156**
- (58) **Field of Classification Search**
USPC D25/138, 142, 144, 152, 153, 156, 157,
D25/158, 159, 160, 161, 162, 163;
D30/114, 120; D23/206, 209, 260, 261,
D23/268, 365; 210/806

CPC B01D 24/06; B01D 29/0038; B01D 2029/033; B01D 29/111; B01D 39/10; B01D 29/012; B01D 29/48; E21B 43/088
See application file for complete search history.

(56) **References Cited**

U.S. PATENT DOCUMENTS

1,180,953 A 4/1916 Steckenreiter
2,046,458 A * 7/1936 Johnson B01D 29/111
166/231

(Continued)

Primary Examiner — Kimberly Barnes
(74) *Attorney, Agent, or Firm* — Banner & Witcoff, Ltd.

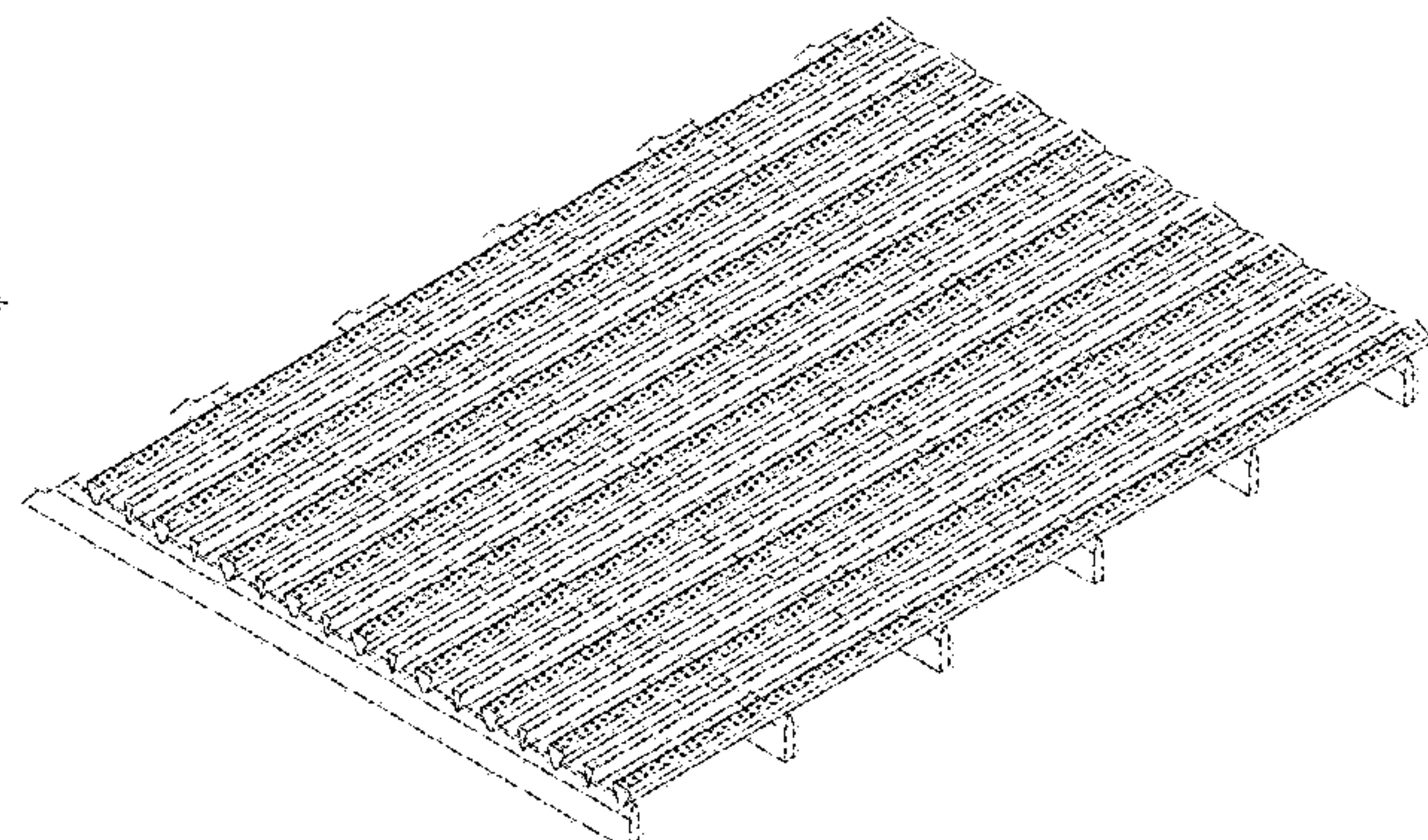
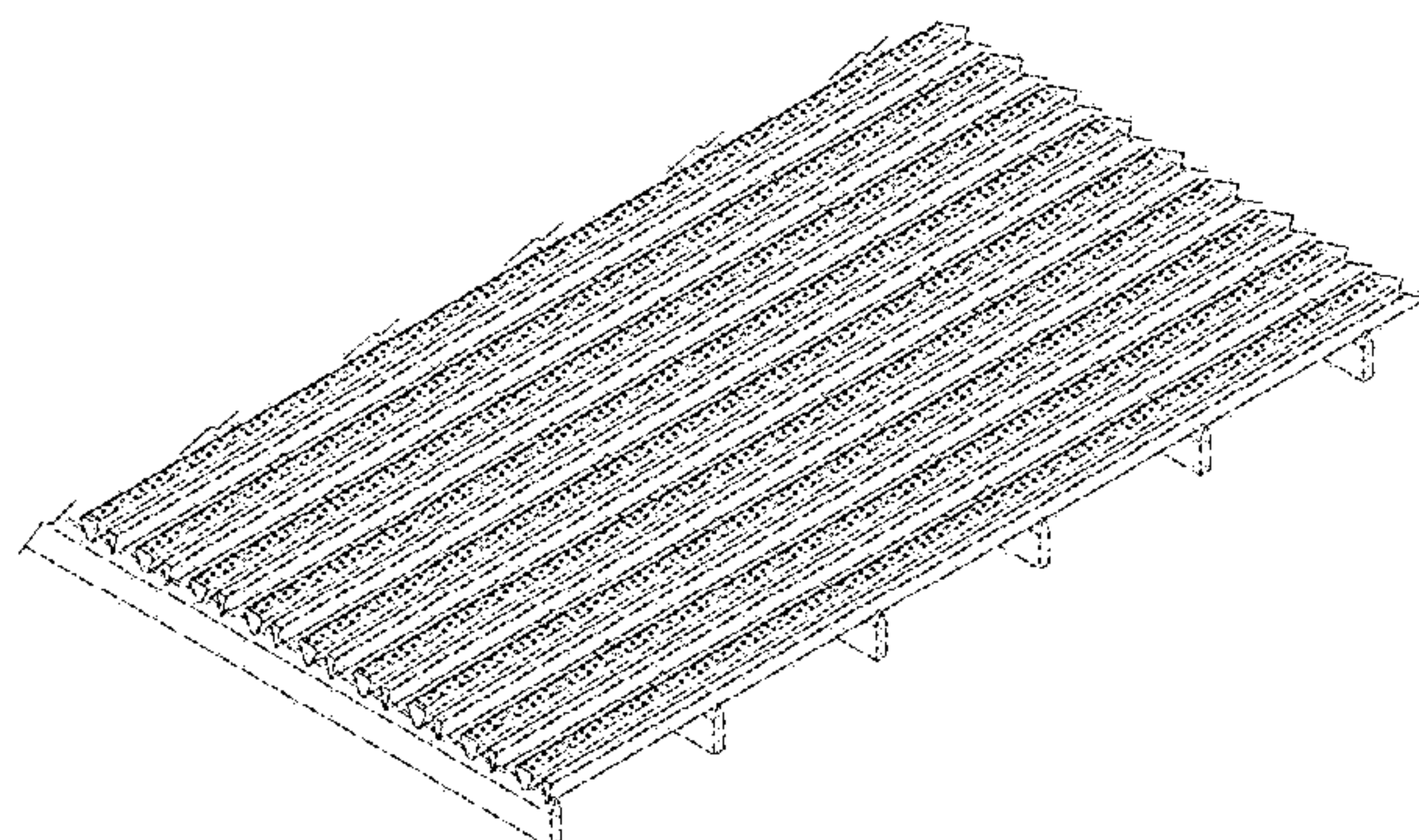
(57) **CLAIM**

The ornamental design for a wire grating structure, as shown and described.

DESCRIPTION

This application is a divisional application of U.S. application Ser. No. 29/597,429 filed Mar. 16, 2017, the contents therein are incorporated by reference in their entirety. FIG. 1 is a perspective view of a wire grating structure showing our new design; FIG. 2 is a top plan view thereof; FIG. 3 is a front elevation view thereof, the rear elevation view being a mirror image thereof; FIG. 4 is a right side elevation view thereof, the left side elevation view being a mirror image thereof; FIG. 5 is a perspective view of an alternative embodiment of the wire grating structure showing our new design; FIG. 6 is a top plan view thereof; FIG. 7 is a front elevation view thereof, the rear elevation view being a mirror image thereof; and, FIG. 8 is a right side elevation view thereof, the left side elevation view being a mirror image thereof. The broken lines depicting the remainder of the wire grating structure show features that form no part of the claimed design.

1 Claim, 2 Drawing Sheets



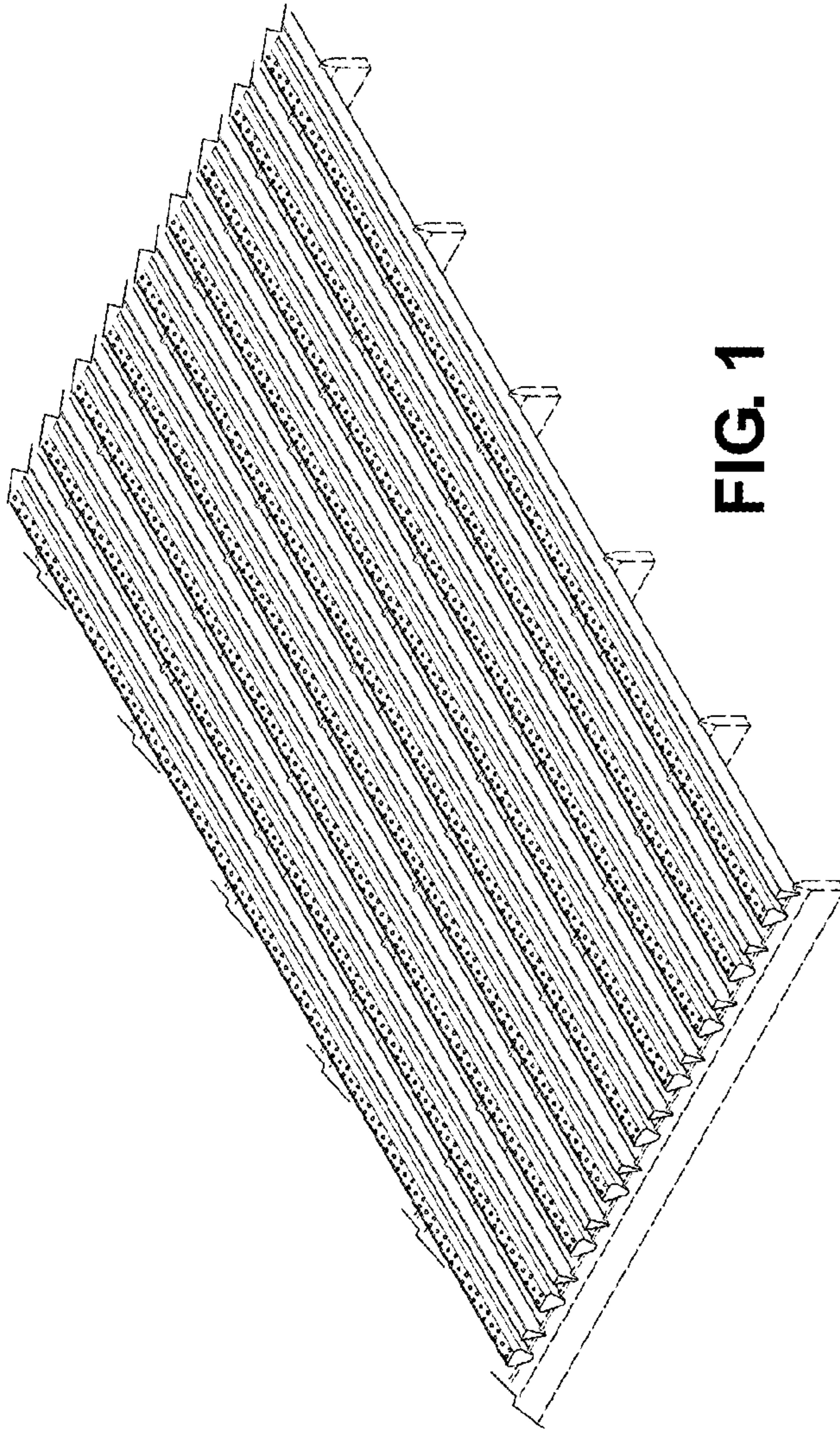


FIG. 1

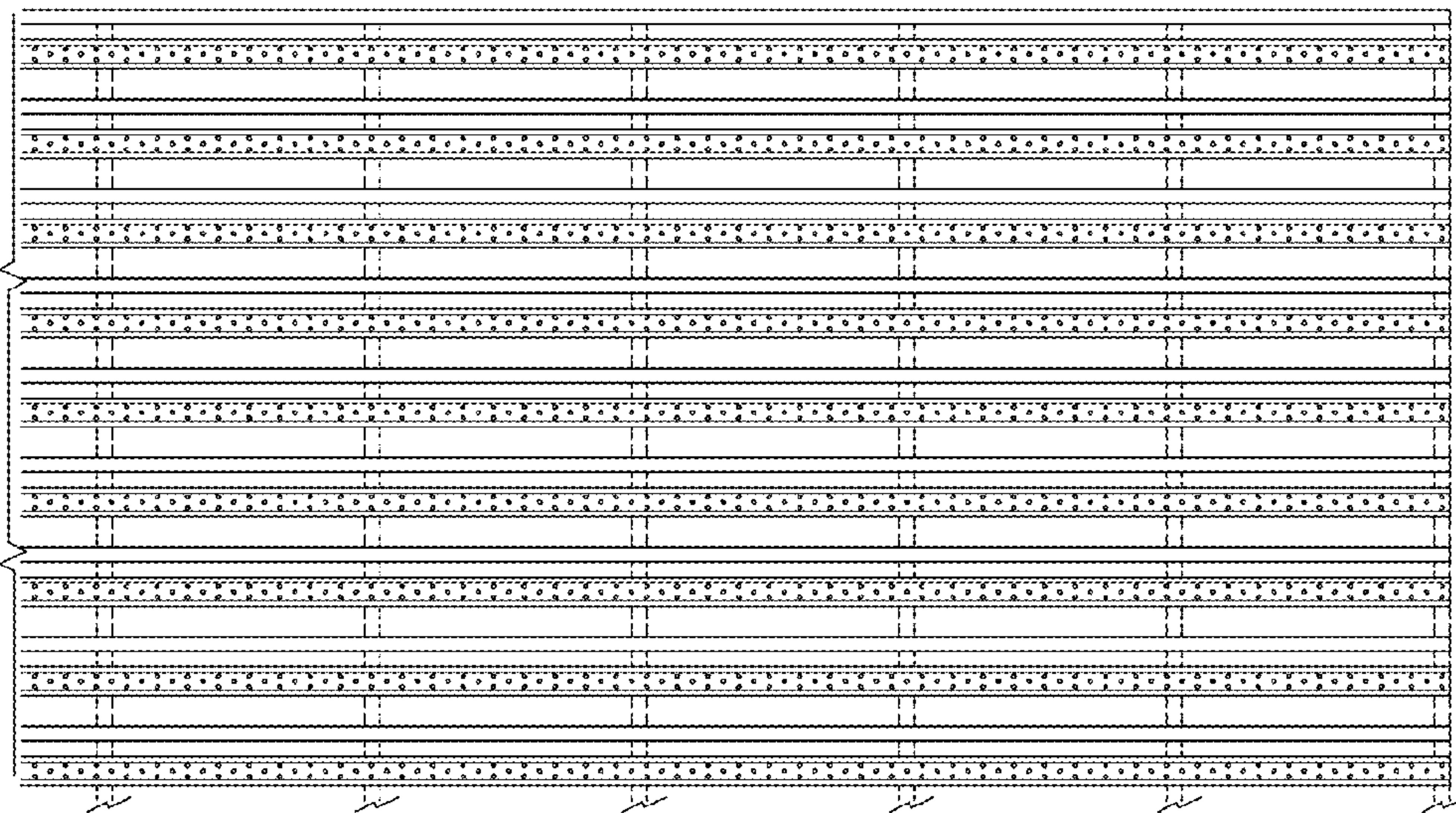


FIG. 2

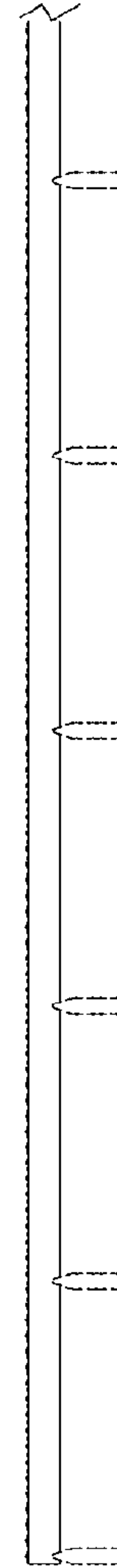


FIG. 3

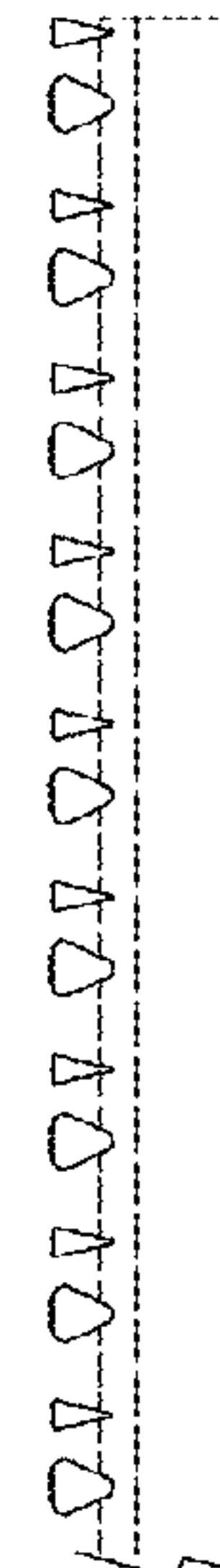


FIG. 4

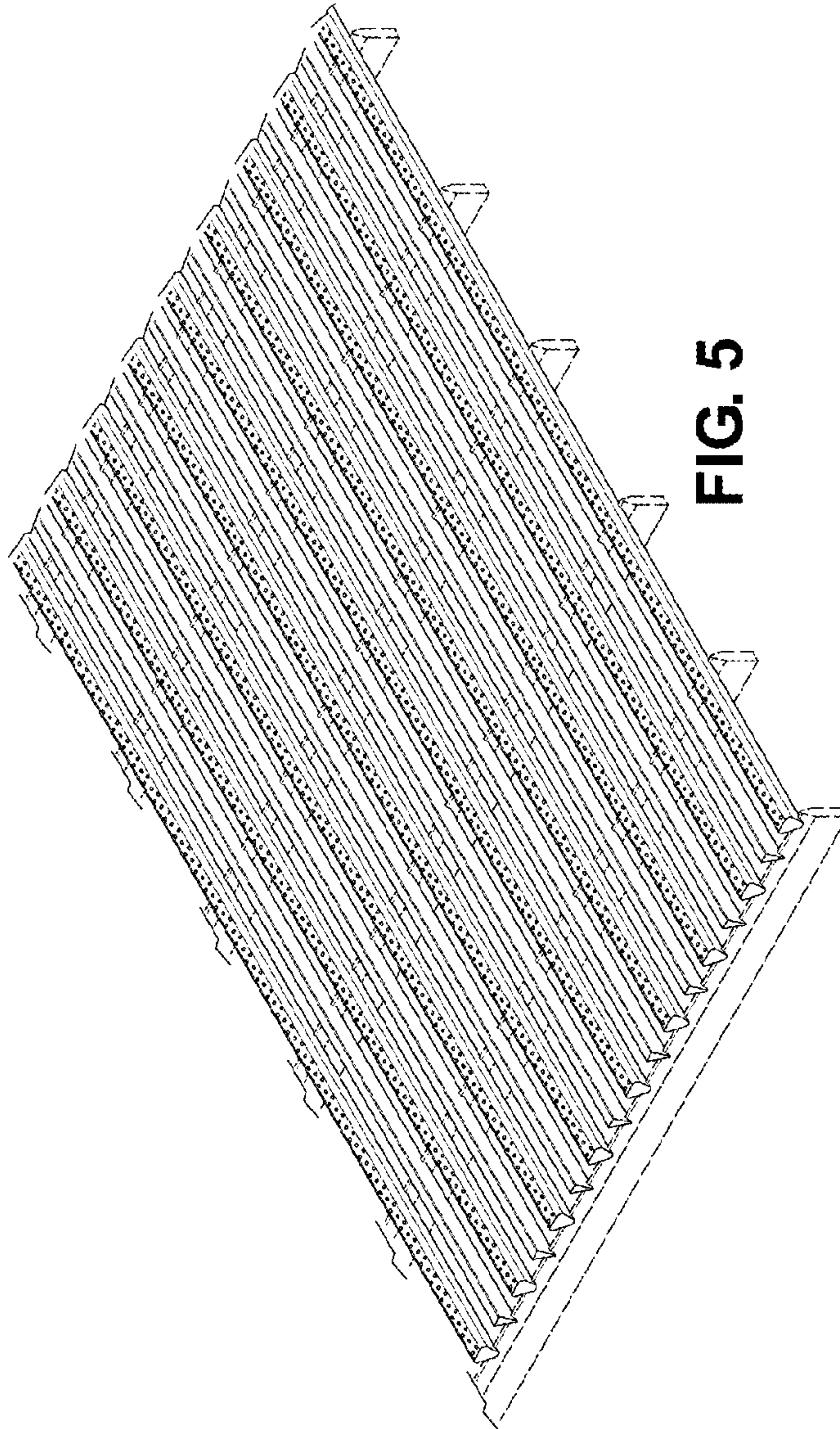


FIG. 5

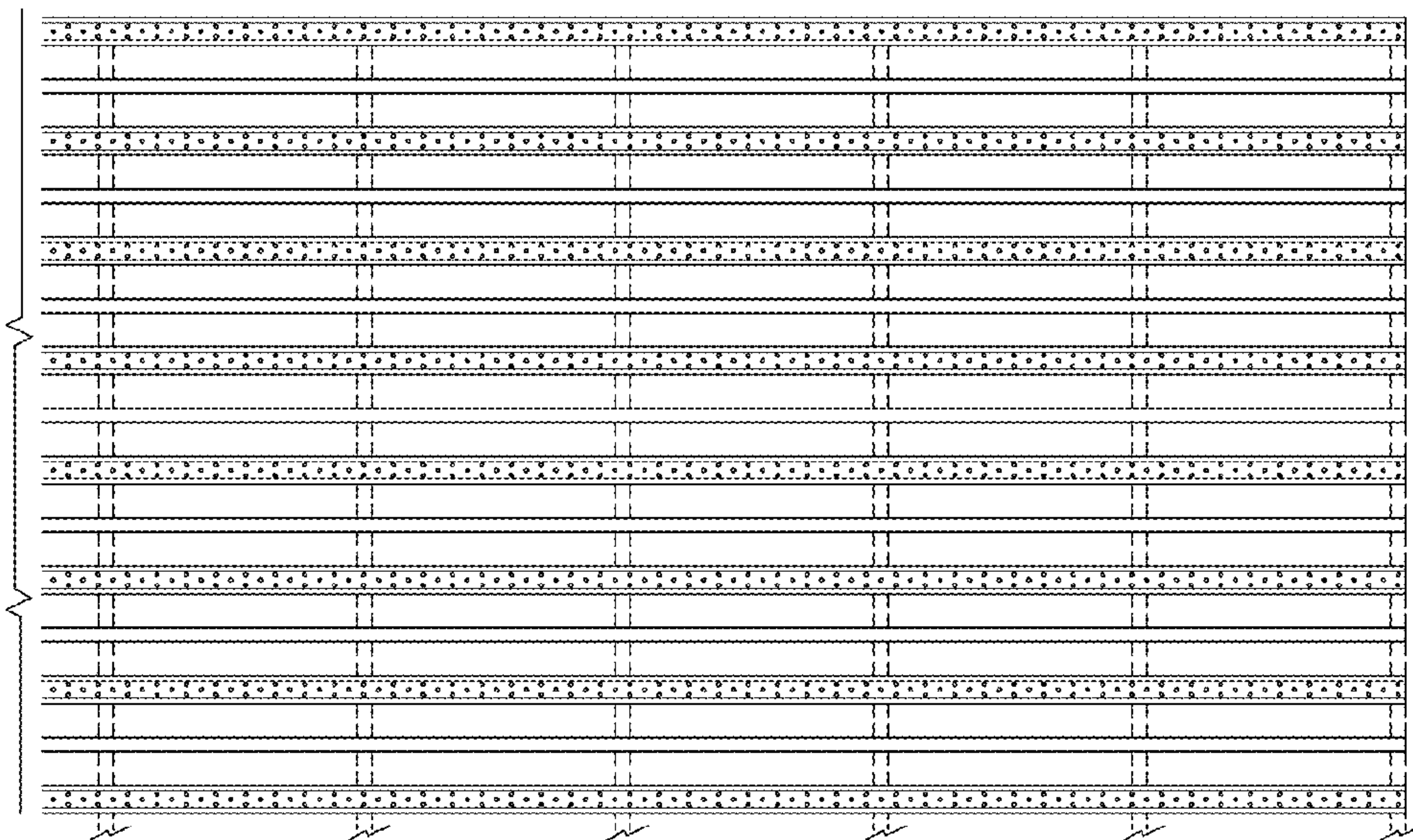


FIG. 6

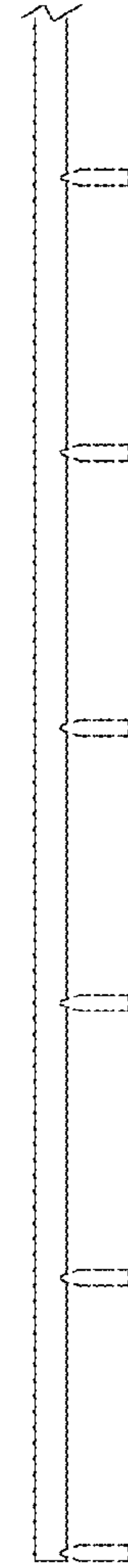


FIG. 8

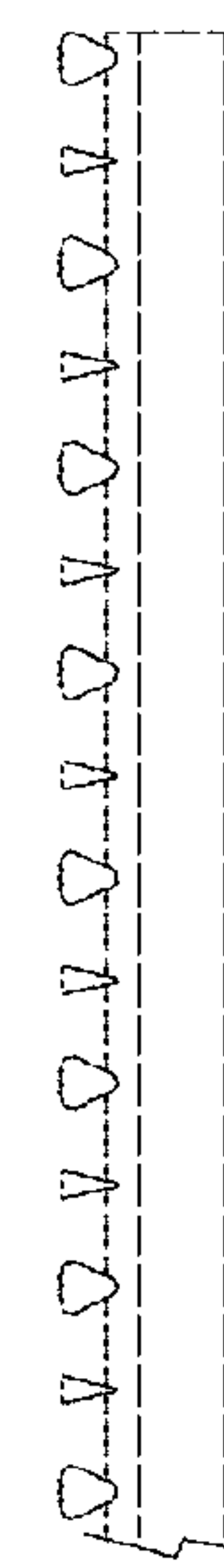


FIG. 7