

US00D921930S

(12) **United States Design Patent** (10) **Patent No.:** **US D921,930 S**
Willemse et al. (45) **Date of Patent:** **** Jun. 8, 2021**

(54) **POLE**
(71) Applicant: **SIGNIFY HOLDING B.V.**, Eindhoven (NL)
(72) Inventors: **Alouisius Johannes Gerardus Maria Willemse**, Erp (NL); **Jonathan Hardy**, Chelmsford, MA (US)
(73) Assignee: **SIGNIFY HOLDING B.V.**, Eindhoven (NL)
(**) Term: **15 Years**
(21) Appl. No.: **29/677,526**
(22) Filed: **Jan. 22, 2019**

D260,184 S * 8/1981 Whatley D25/129
D430,312 S * 8/2000 Beachy D25/126
D480,158 S * 9/2003 Ludwig D25/126
D488,084 S * 4/2004 Cooper D10/115
D495,445 S * 8/2004 Cooper D26/67
D583,487 S * 12/2008 Hackett D25/126
D604,866 S * 11/2009 Randazzo D25/126
7,886,492 B2 * 2/2011 Kelly E01F 9/681
52/297
D663,862 S * 7/2012 Leadford D25/126
D695,923 S * 12/2013 Macura D25/126
D695,924 S * 12/2013 Macura D25/126
D696,796 S * 12/2013 Macura D25/126
D853,590 S * 7/2019 Fulk D25/127
D876,712 S * 2/2020 Bembridge D26/138
D878,669 S * 3/2020 Bembridge D26/138
2006/0092646 A1 * 5/2006 Kelly E01F 9/681
362/431
2010/0277902 A1 * 11/2010 Choi F21V 9/08
362/231

(30) **Foreign Application Priority Data**

Jul. 23, 2018 (EM) 005511052-0001

(51) **LOC (13) Cl.** **26-05**
(52) **U.S. Cl.**

USPC **D25/126; D26/138**

(58) **Field of Classification Search**
USPC D25/126-129, 134; D26/67, 68, 93, 138, D26/153
CPC F21V 21/00; F21V 21/002; F21V 21/10; F21V 21/116; F21V 21/13; F21S 8/08; F21S 8/085; F21S 8/056; F21S 8/088

See application file for complete search history.

(56) **References Cited**

U.S. PATENT DOCUMENTS

D8,296 S * 4/1875 Tweeddale D25/126
D14,883 S * 3/1884 Arci et al. D23/266
D73,952 S * 11/1927 Underwood D25/129
D80,166 S * 12/1929 Clarke D25/129
D153,247 S * 3/1949 Winters D25/128
D259,513 S * 6/1981 Whatley D25/129

(Continued)

FOREIGN PATENT DOCUMENTS

CA 176170 * 5/2018
EM 002060111-0001 * 6/2012

Primary Examiner — Leanne Was-Englehart
(74) *Attorney, Agent, or Firm* — Daniel J. Piotrowski

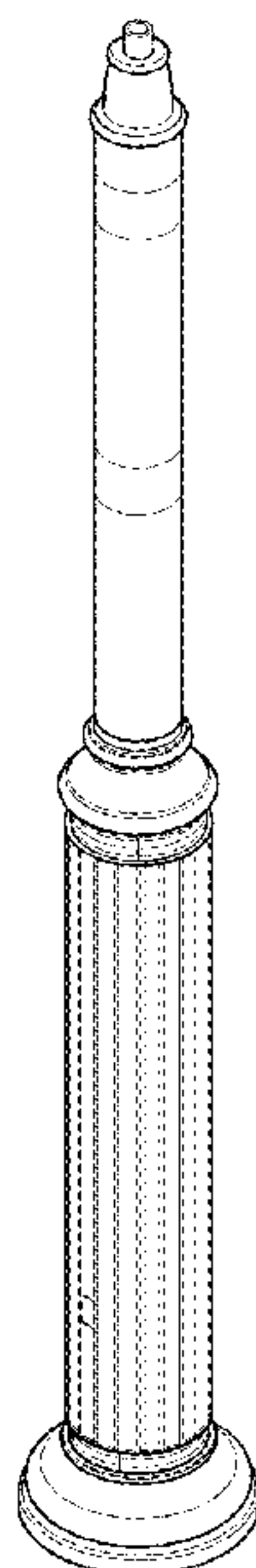
(57) **CLAIM**

The ornamental design for a “pole”, as shown and described.

DESCRIPTION

FIG. 1 is a perspective view of a pole;
FIG. 2 is a front elevational view thereof;
FIG. 3 is a rear elevational view thereof;
FIG. 4 is a right side elevational view thereof;
FIG. 5 is a left side elevational view thereof;
FIG. 6 is a top plan view thereof; and,
FIG. 7 is a bottom plan view thereof.

1 Claim, 2 Drawing Sheets



(56)

References Cited

U.S. PATENT DOCUMENTS

2011/0085322 A1* 4/2011 Myer F21S 8/083
362/183
2012/0143383 A1* 6/2012 Cooperrider H02J 13/00004
700/295
2019/0277050 A1* 9/2019 Lockwood F21V 33/00

* cited by examiner

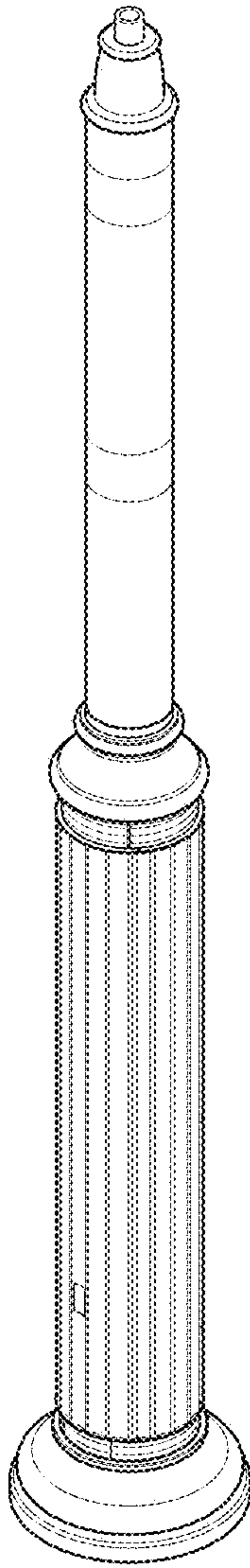


FIG. 1

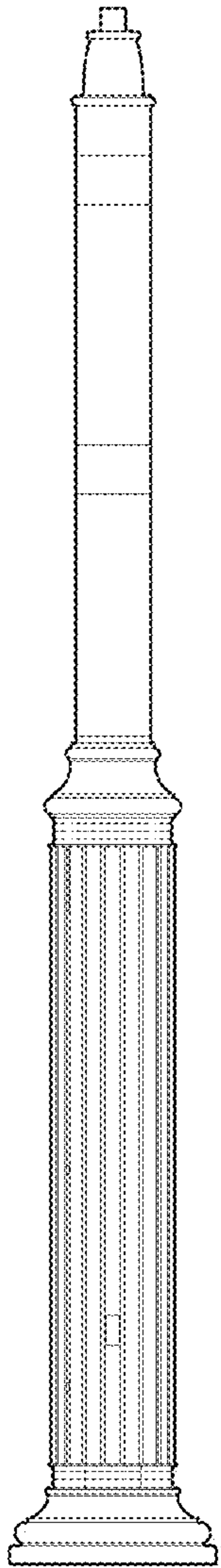


FIG. 2

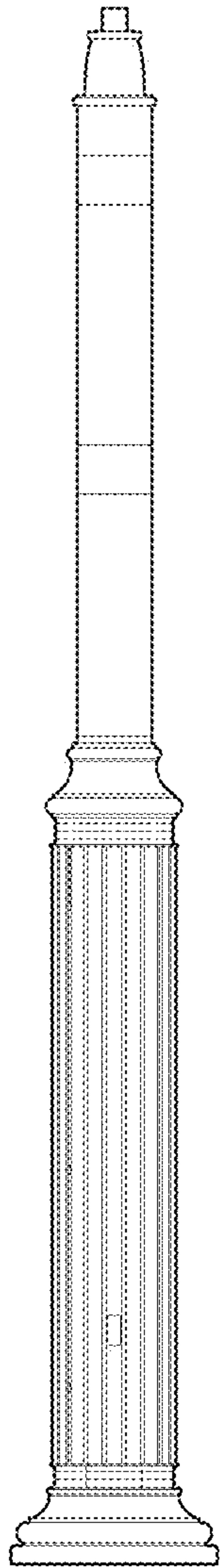


FIG. 3

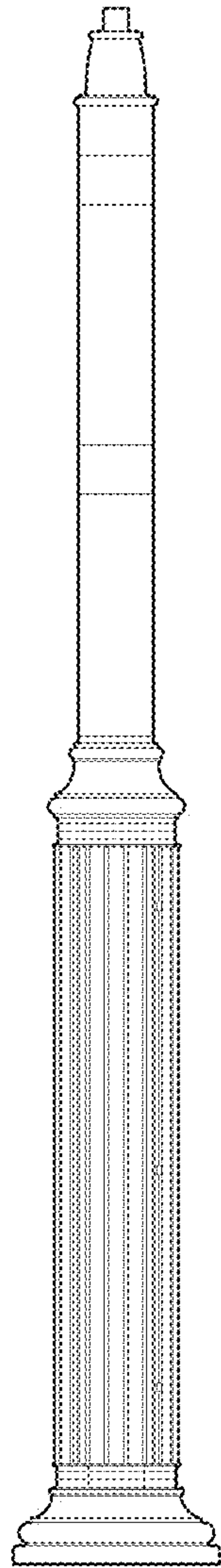


FIG. 4

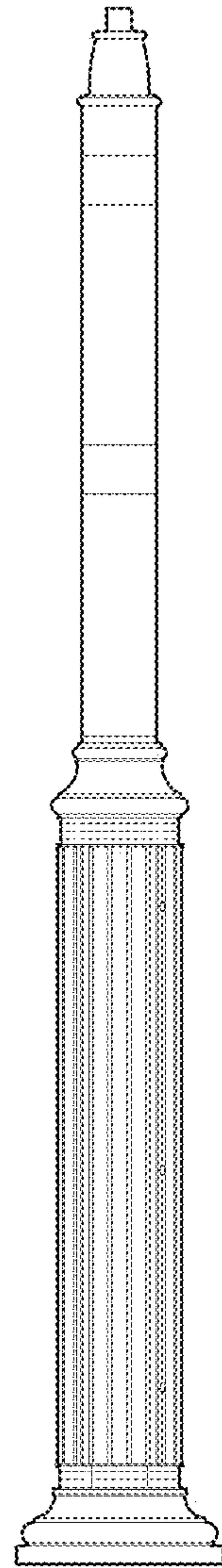


FIG. 5

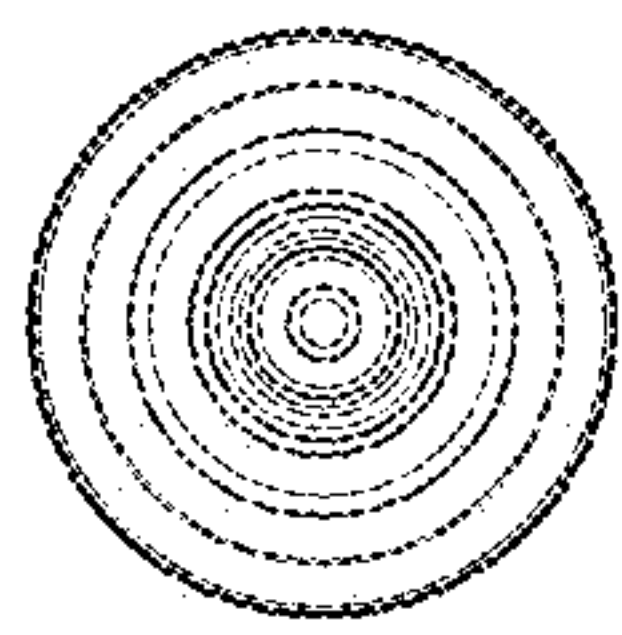


FIG. 6

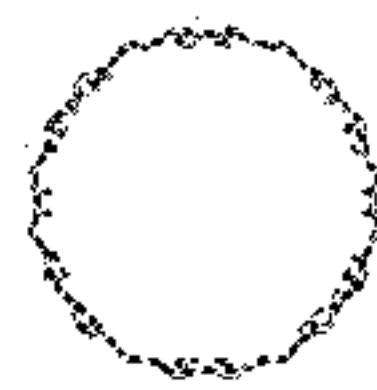


FIG. 7