



US00D921927S

(12) **United States Design Patent**  
**Fuller et al.**

(10) **Patent No.:** **US D921,927 S**  
(45) **Date of Patent:** **\*\* Jun. 8, 2021**

- (54) **STEP TREAD FRAME**
- (71) Applicant: **Lippert Components, Inc.**, Elkhart, IN (US)
- (72) Inventors: **Nathaniel Fuller**, Granger, IN (US);  
**Scott C. McKinnon**, Union City, MI (US)
- (73) Assignee: **Lippert Components, Inc.**, Elkhart, IN (US)

6,378,257 B1 \* 4/2002 Guerri ..... E04F 11/163  
52/309.1  
D704,960 S \* 5/2014 McCool ..... E04F 11/108  
D6/582  
9,010,473 B1 \* 4/2015 Rasmussen ..... B60R 3/02  
180/166

\* cited by examiner

*Primary Examiner* — Gino Colan  
(74) *Attorney, Agent, or Firm* — Nixon & Vanderhye P.C.

(\*\*) Term: **15 Years**

(21) Appl. No.: **29/715,862**

(22) Filed: **Dec. 5, 2019**

(51) **LOC (13) Cl.** ..... **25-04**

(52) **U.S. Cl.**  
USPC ..... **D25/69**

(58) **Field of Classification Search**  
USPC ..... D25/62, 68, 69, 119–125; 52/179, 182,  
52/177, 188, 190, 741.2; 280/169;  
180/166  
CPC ..... E04F 11/16; E04F 11/163; E04F 11/108;  
E04F 11/112; E04F 11/104; E04F 11/09  
See application file for complete search history.

(56) **References Cited**

U.S. PATENT DOCUMENTS

- 2,484,947 A \* 10/1949 Hocutt ..... E04F 11/163  
52/179
- D167,994 S \* 10/1952 McKay ..... D25/69

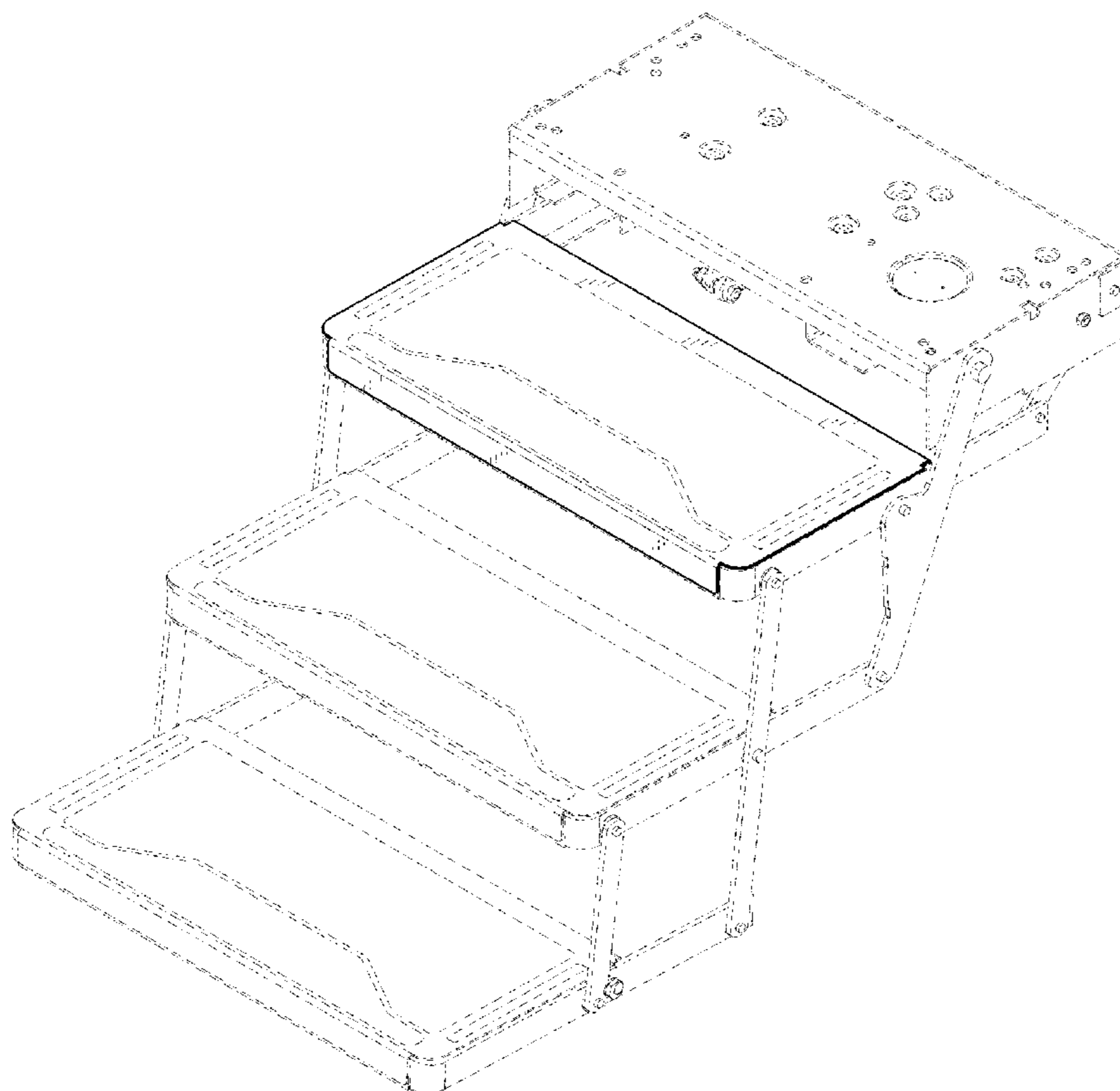
(57) **CLAIM**

The ornamental design for a step tread frame, as shown and described.

**DESCRIPTION**

FIG. 1 is a perspective view of a step tread frame in an exemplary application;  
FIG. 2 is a front perspective view thereof;  
FIG. 3 is a front view thereof;  
FIG. 4 is a rear view thereof;  
FIG. 5 is a top view thereof;  
FIG. 6 is a bottom view thereof;  
FIG. 7 is a right side view thereof;  
FIG. 8 is a left side view thereof; and,  
FIG. 9 is a rear perspective view thereof.  
The broken lines in FIG. 1 depict environmental subject matter and form no part of the claimed design.

**1 Claim, 7 Drawing Sheets**



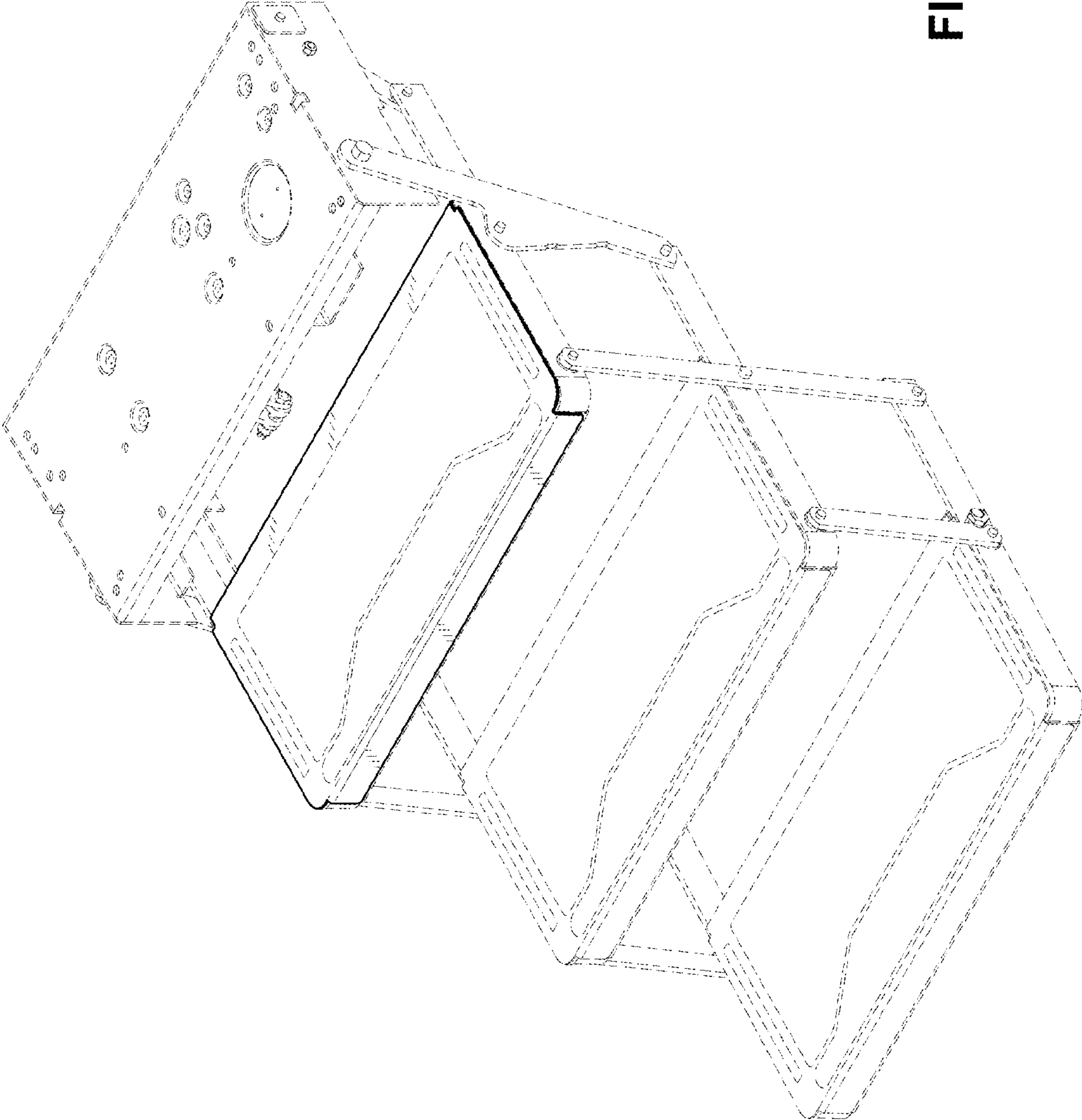


FIG. 1

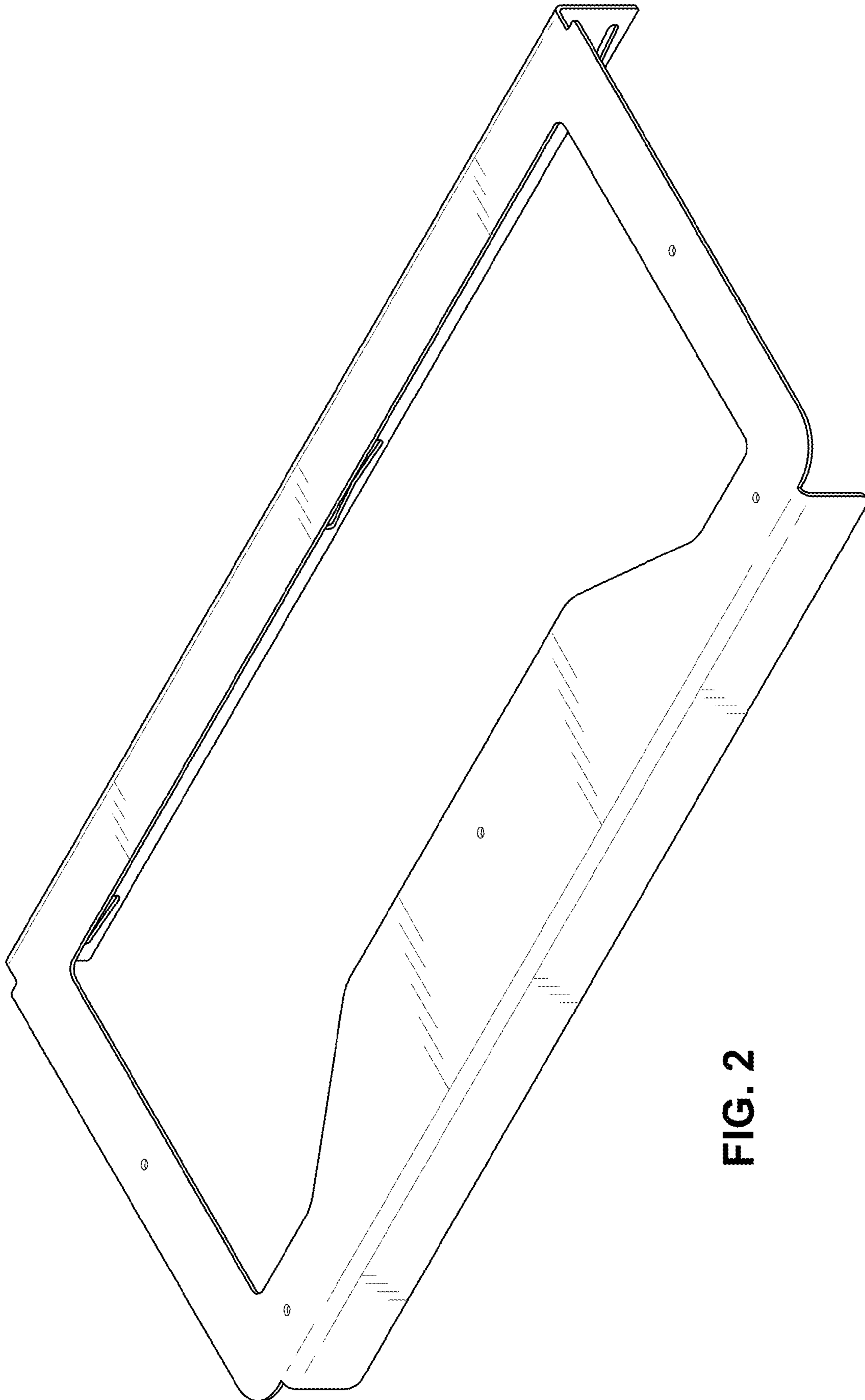
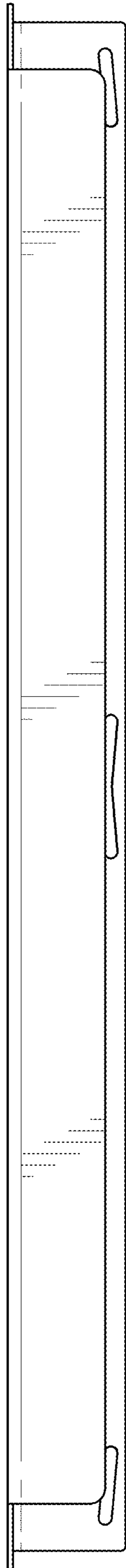
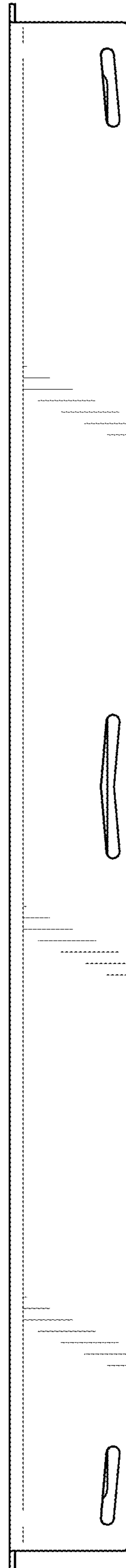


FIG. 2



**FIG. 3**



**FIG. 4**

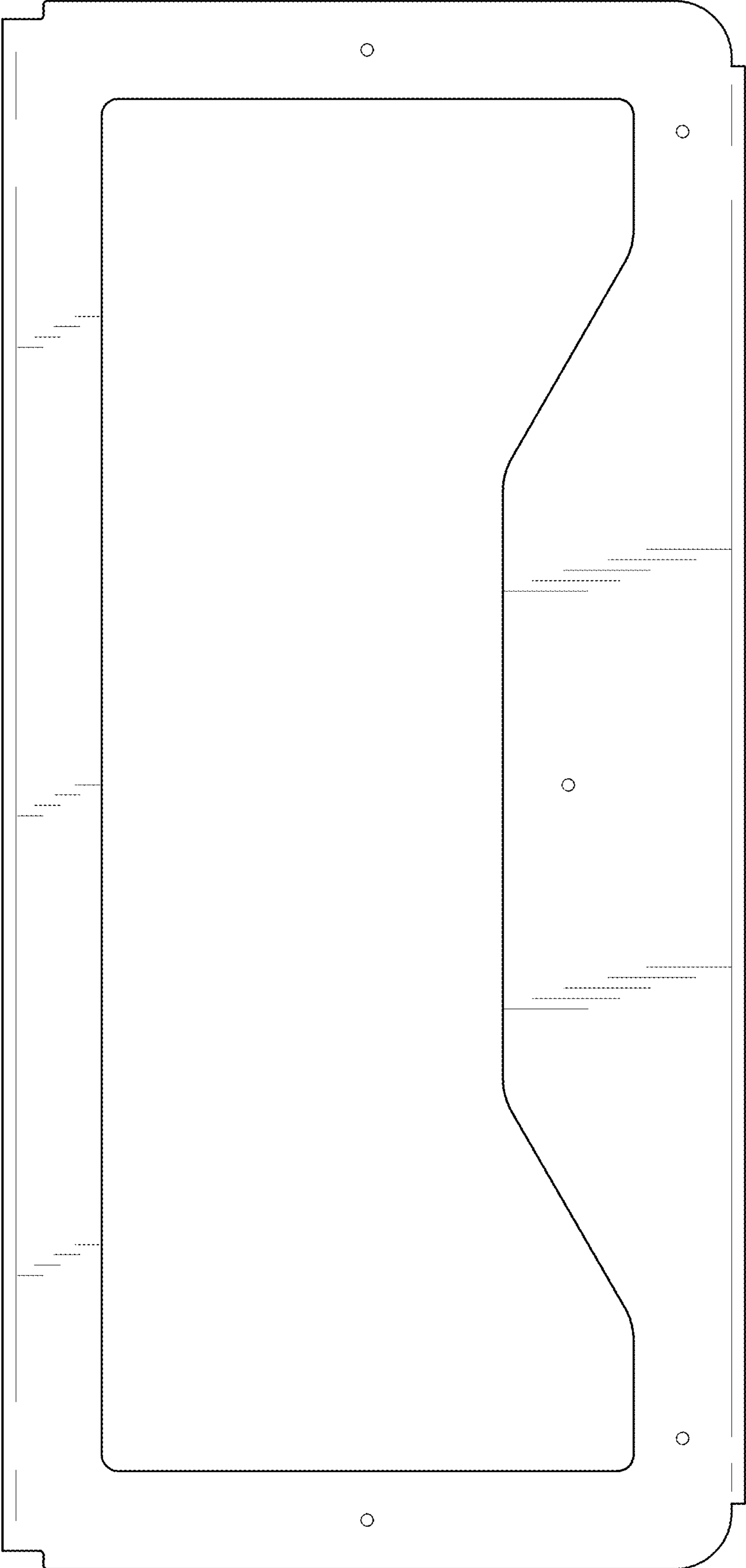


FIG. 5

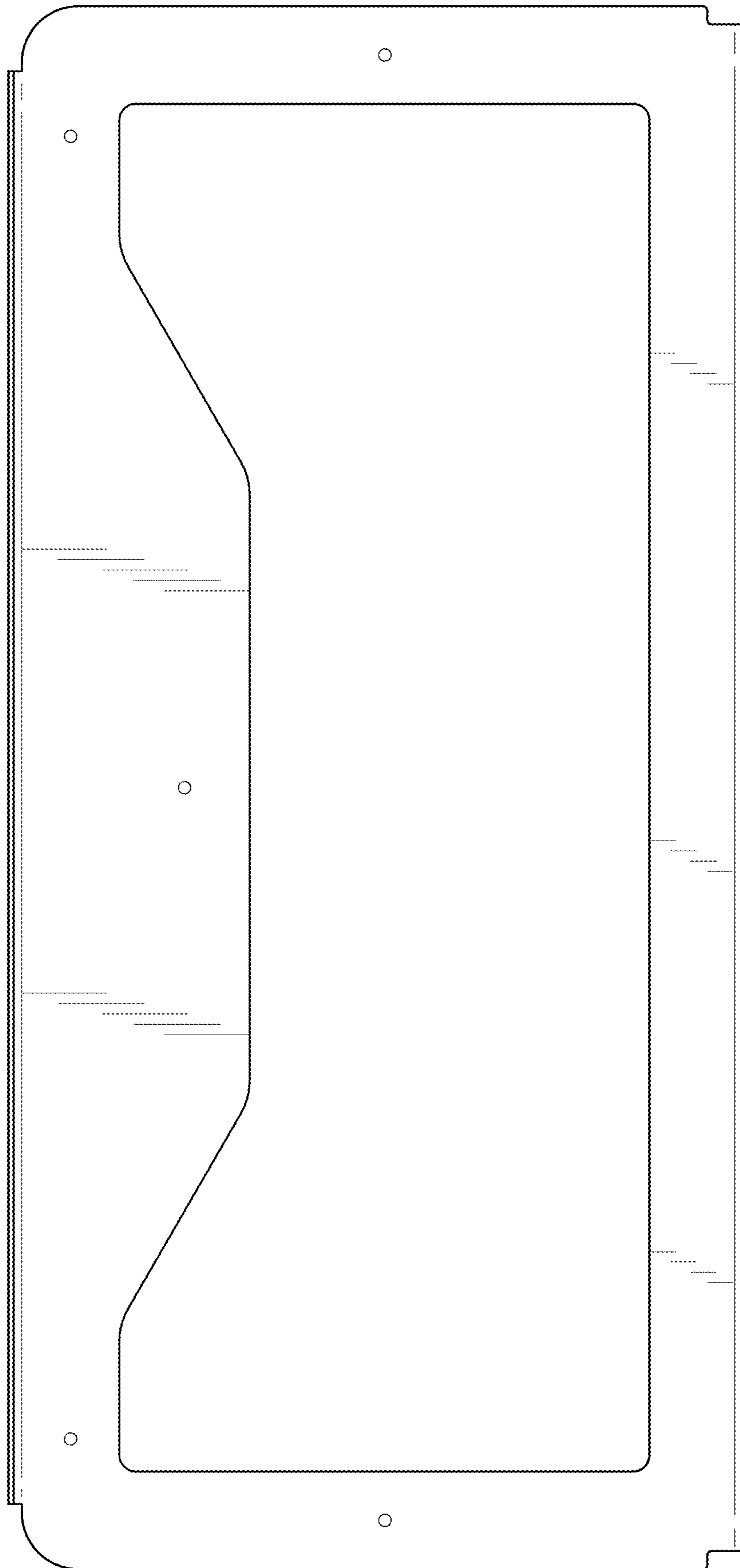


FIG. 6

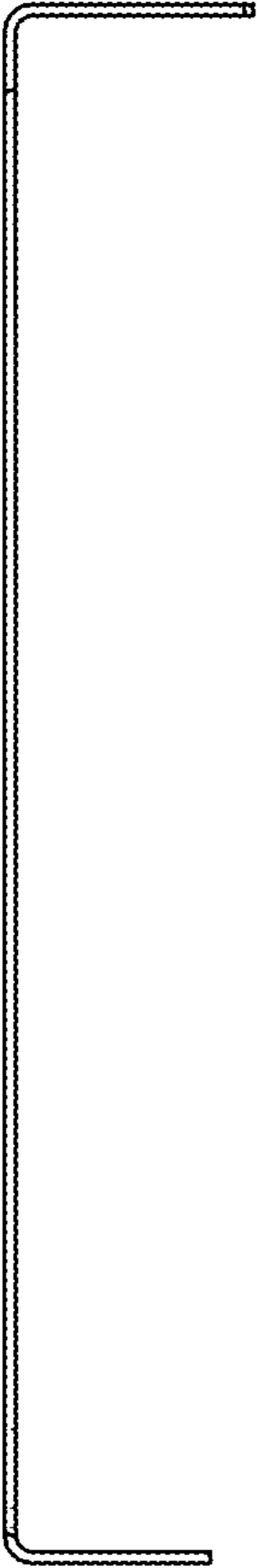


FIG. 7

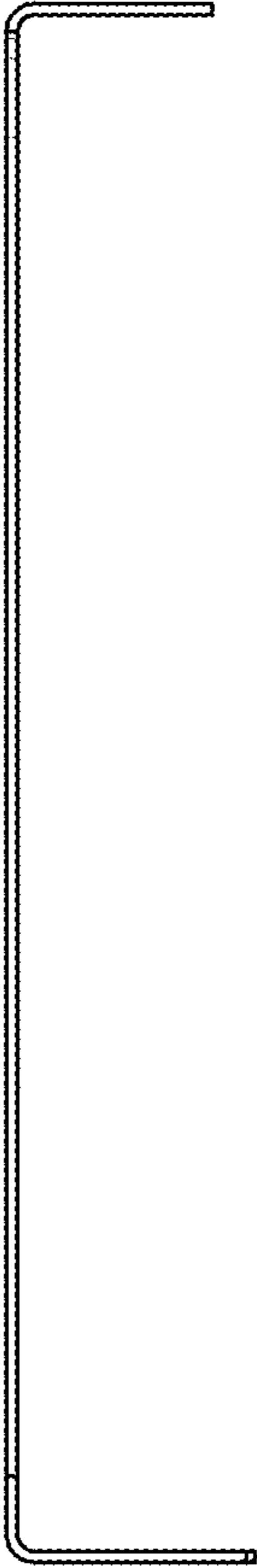


FIG. 8

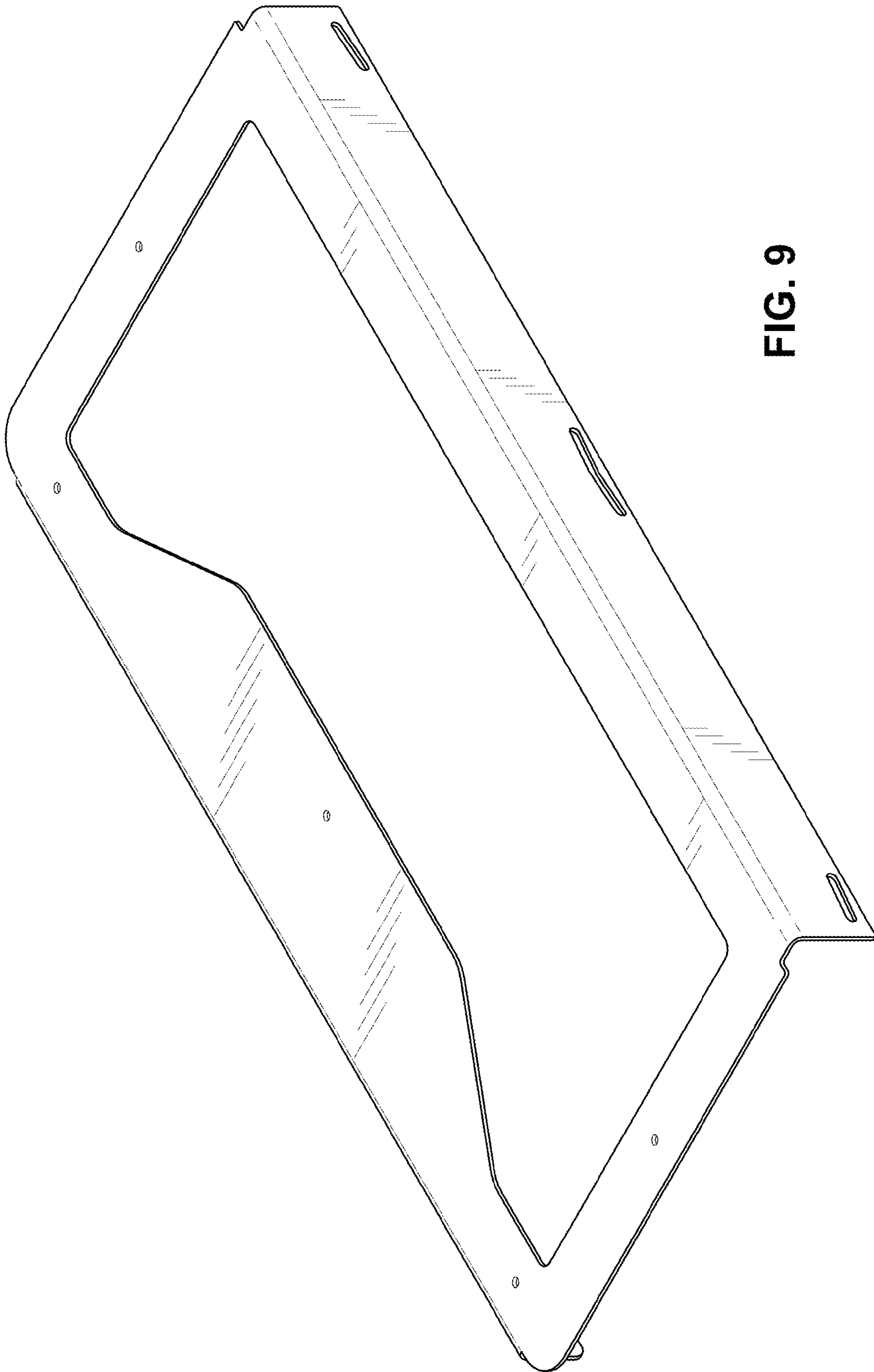


FIG. 9