



US00D921924S

(12) **United States Design Patent** (10) **Patent No.:** **US D921,924 S**  
**Ko** (45) **Date of Patent:** **\*\* Jun. 8, 2021**

(54) **PHONE BOOTH**  
(71) Applicant: **Wen-Shan Ko**, Changhua County (TW)  
(72) Inventor: **Wen-Shan Ko**, Changhua County (TW)  
(\*\*) Term: **15 Years**

D870,316 S \* 12/2019 Haveri ..... D25/16  
D880,000 S \* 3/2020 Albarran ..... D25/16  
D886,324 S \* 6/2020 Haveri ..... D25/16  
D907,798 S \* 1/2021 Zhu ..... D25/16  
D908,918 S \* 1/2021 Zhu ..... D25/16  
D910,205 S \* 2/2021 Nakata ..... D25/16  
D910,206 S \* 2/2021 Nakata ..... D25/16  
D911,552 S \* 2/2021 Kitada ..... D25/16  
2020/0018060 A1\* 1/2020 Watanabe ..... E04H 1/125

(21) Appl. No.: **29/670,183**  
(22) Filed: **Nov. 14, 2018**  
(51) **LOC (13) Cl.** ..... **25-03**  
(52) **U.S. Cl.**  
USPC ..... **D25/16**  
(58) **Field of Classification Search**  
USPC ..... D25/1, 3, 4, 7-11, 16, 18-21, 31-35;  
D12/101-105; D6/332, 337, 640-644;  
D16/215; D24/209, 210  
CPC ..... E04H 1/00-1277; E04H 1/14; E04H  
2001/12  
See application file for complete search history.

**FOREIGN PATENT DOCUMENTS**

CN 301942559 \* 5/2012  
CN 304941894 \* 12/2018  
EM 005403011-0001 \* 7/2018  
KR 300964052.0000 \* 7/2018

\* cited by examiner

*Primary Examiner* — Brett Miller  
(74) *Attorney, Agent, or Firm* — Muncy, Geissler, Olds & Lowe, P.C.

(57) **CLAIM**

The ornamental design for a phone booth, as shown and described.

**DESCRIPTION**

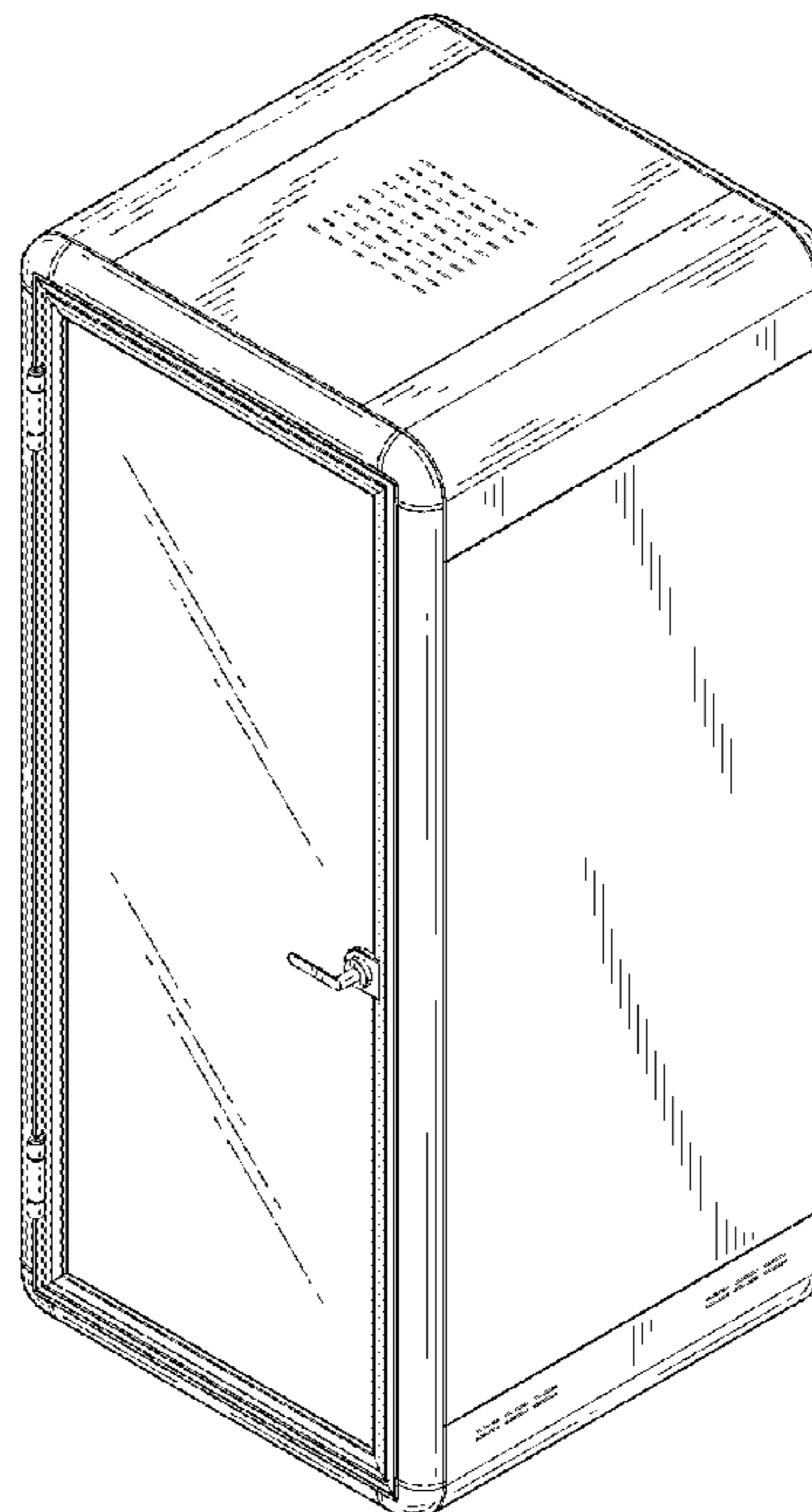
FIG. 1 is a perspective view of a phone booth showing my new design;  
FIG. 2 is a front view thereof;  
FIG. 3 is a rear view thereof;  
FIG. 4 is a left side view thereof;  
FIG. 5 is a right side view thereof;  
FIG. 6 is a top view thereof; and,  
FIG. 7 is a bottom view thereof.  
The broken lines depict portions of the phone booth that form no part of the claimed design.

**1 Claim, 6 Drawing Sheets**

(56) **References Cited**

**U.S. PATENT DOCUMENTS**

D229,828 S \* 1/1974 Hinkley ..... D25/16  
D549,837 S \* 8/2007 Travis ..... D25/33  
D641,090 S \* 7/2011 Clark ..... D25/16  
D732,691 S \* 6/2015 Hallfors ..... D25/16  
D764,667 S \* 8/2016 Shiue ..... D24/158  
D768,874 S \* 10/2016 Walter ..... D25/16  
D787,704 S \* 5/2017 Walter ..... D25/16  
D788,318 S \* 5/2017 Jennings ..... D25/16  
D809,808 S \* 2/2018 Sarkkinen ..... D6/337  
D811,669 S \* 2/2018 Wills ..... D30/199  
D844,810 S \* 4/2019 Hallfors ..... D25/16  
D844,815 S \* 4/2019 Zhu ..... D25/16  
D856,529 S \* 8/2019 Mikolajczyk ..... D25/16  
D857,233 S \* 8/2019 Zhu ..... D25/16



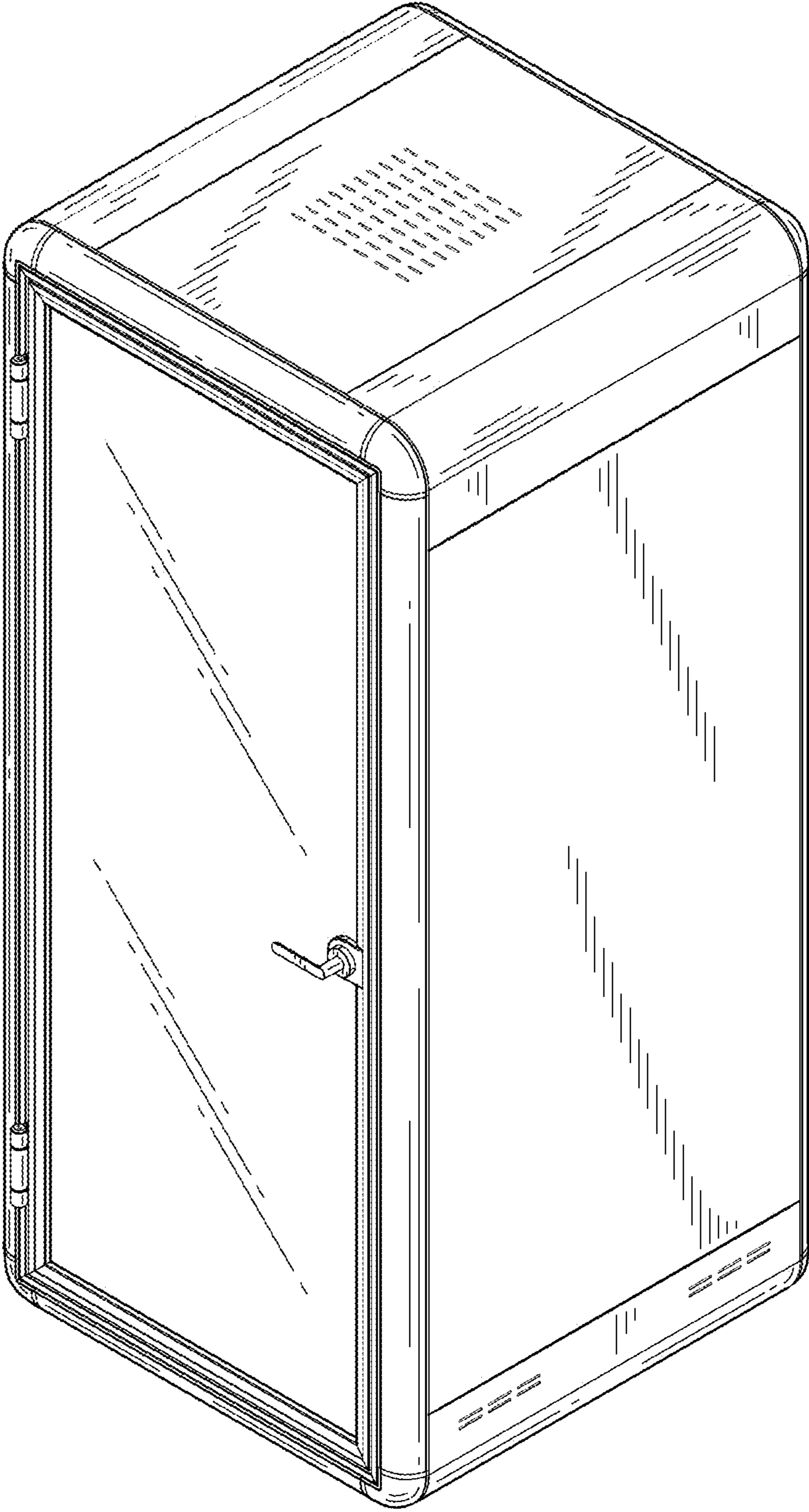


FIG. 1

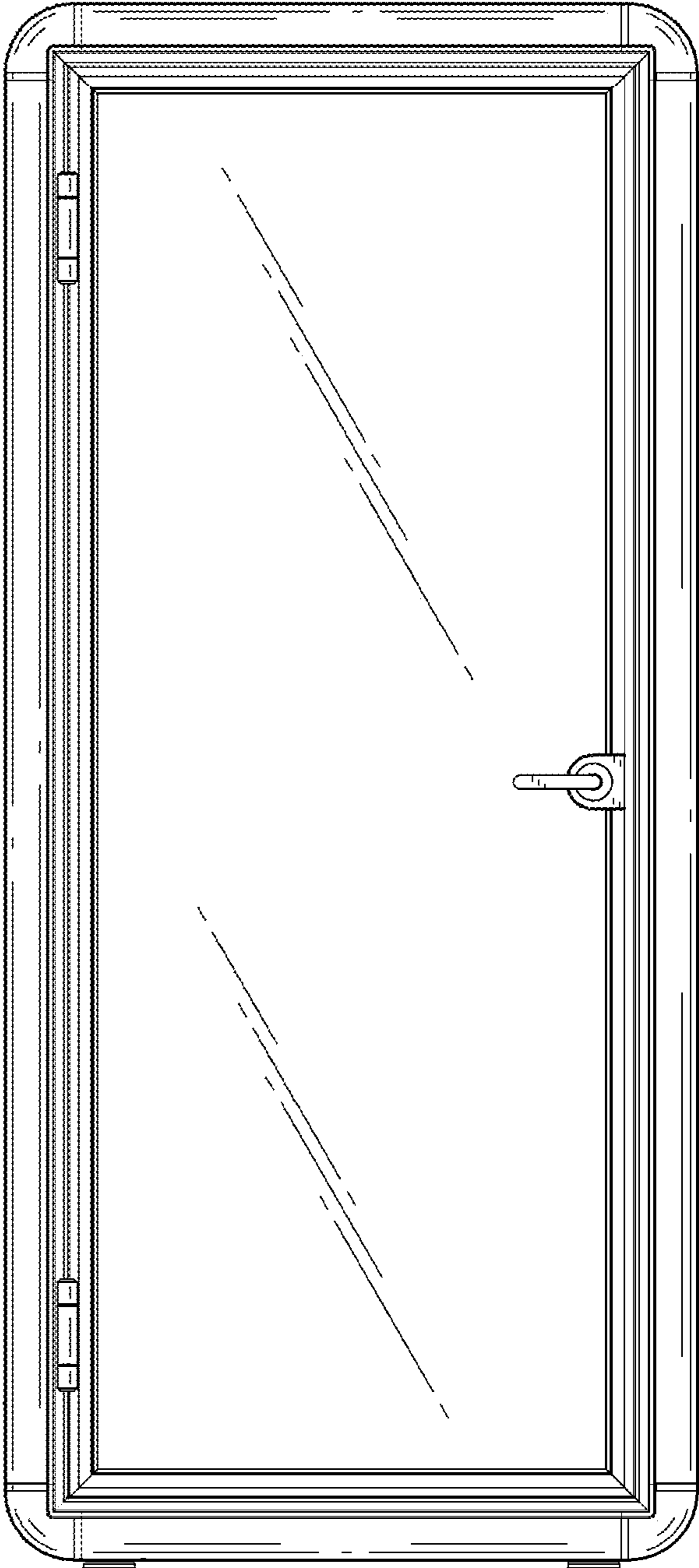


FIG. 2

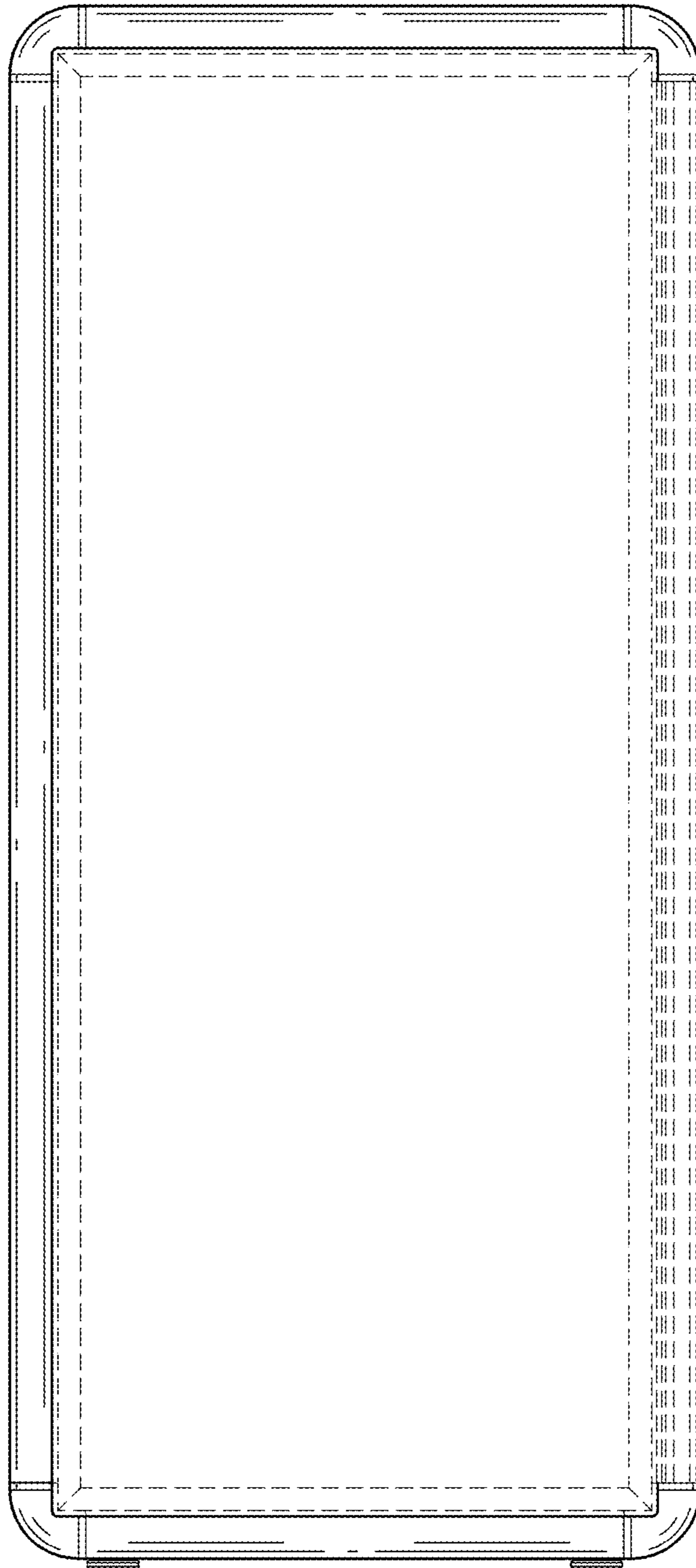


FIG. 3

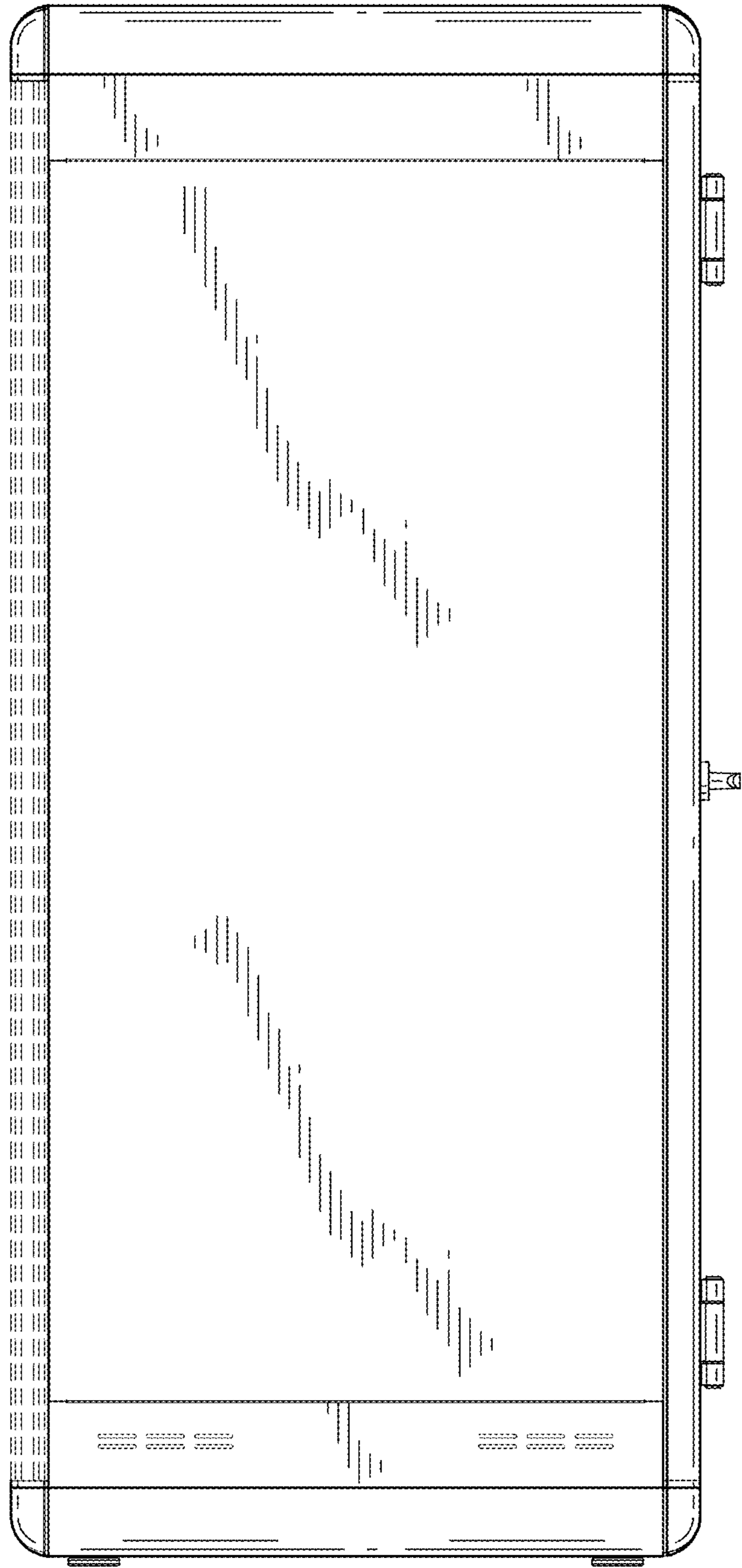


FIG. 4



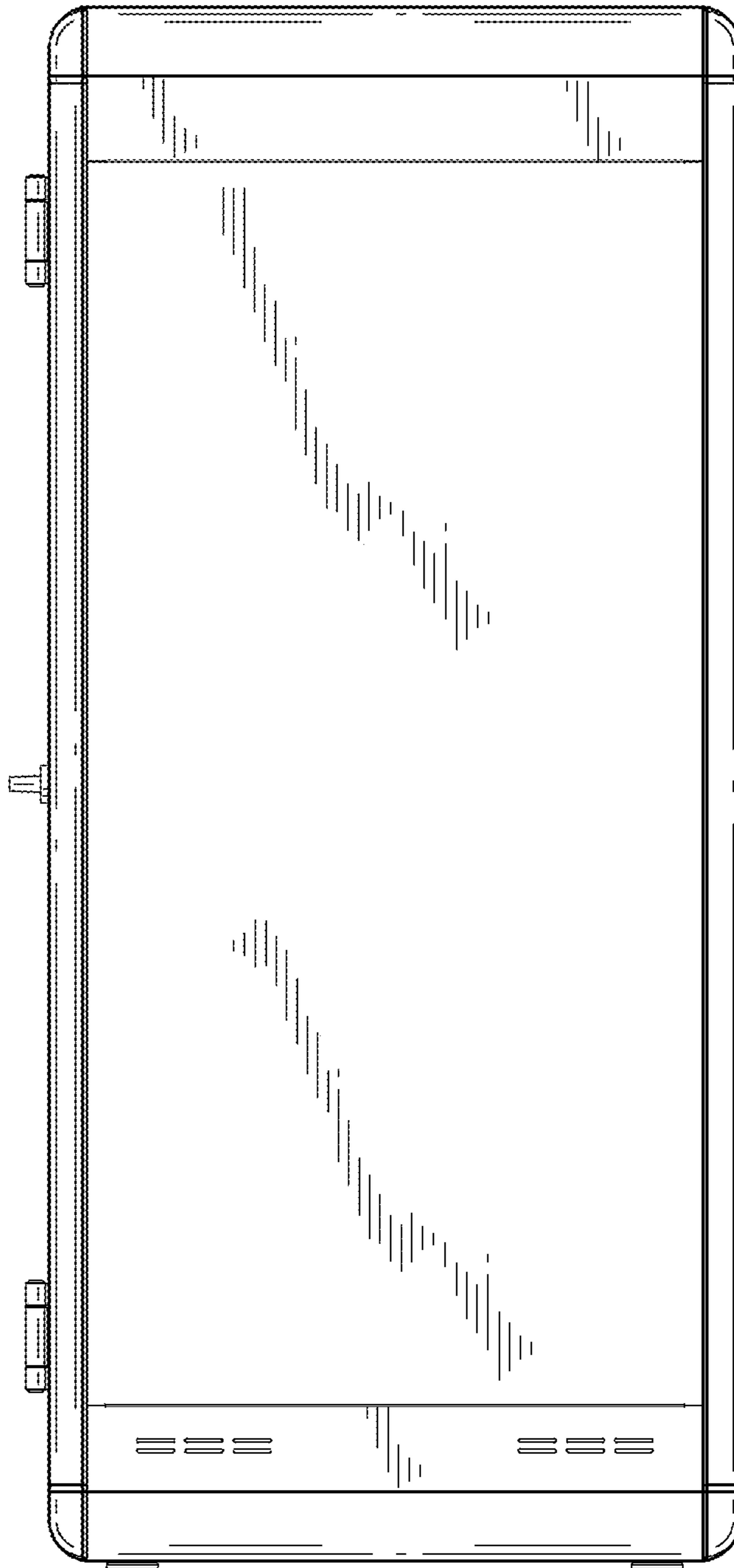


FIG. 5

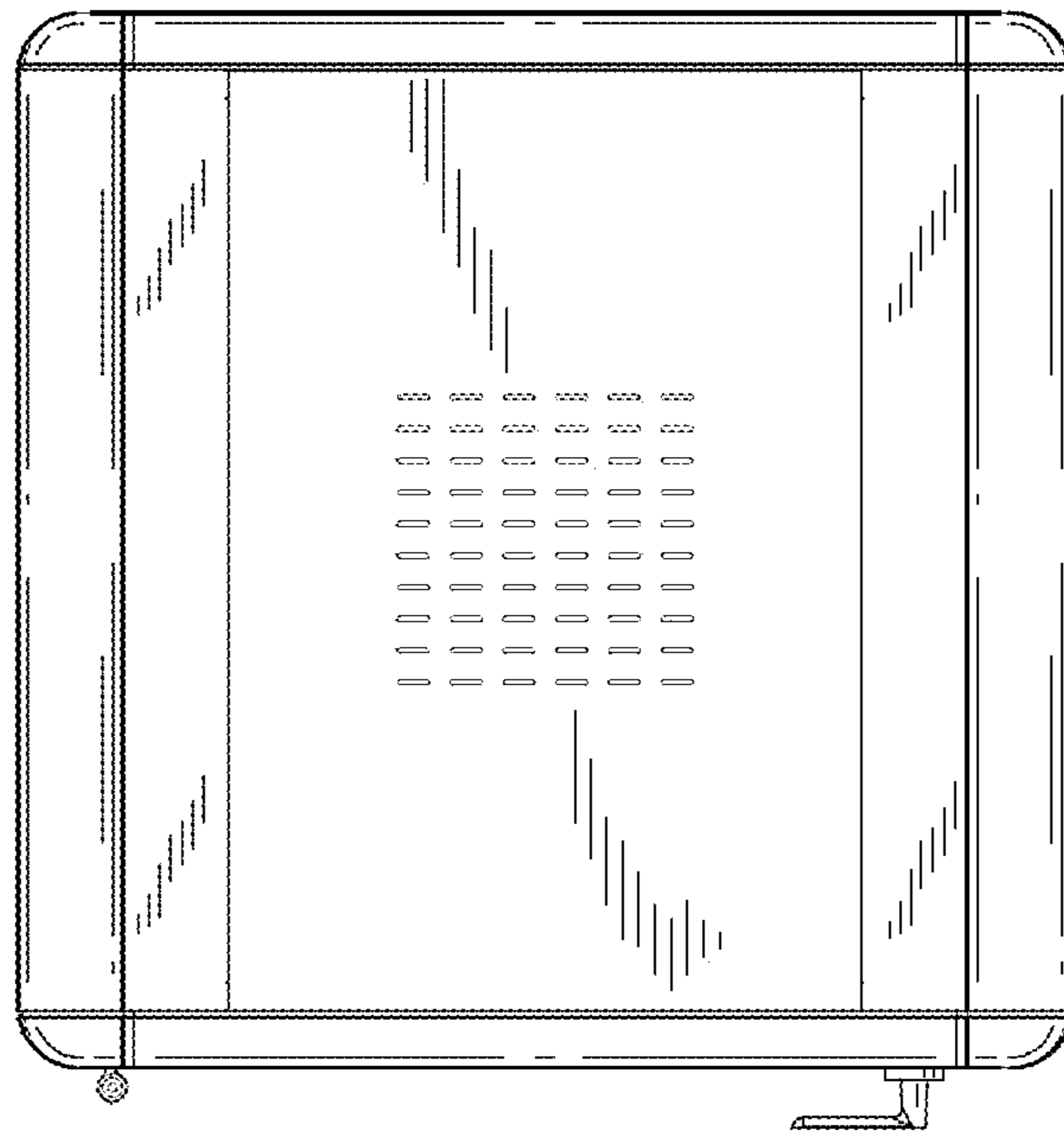


FIG. 6

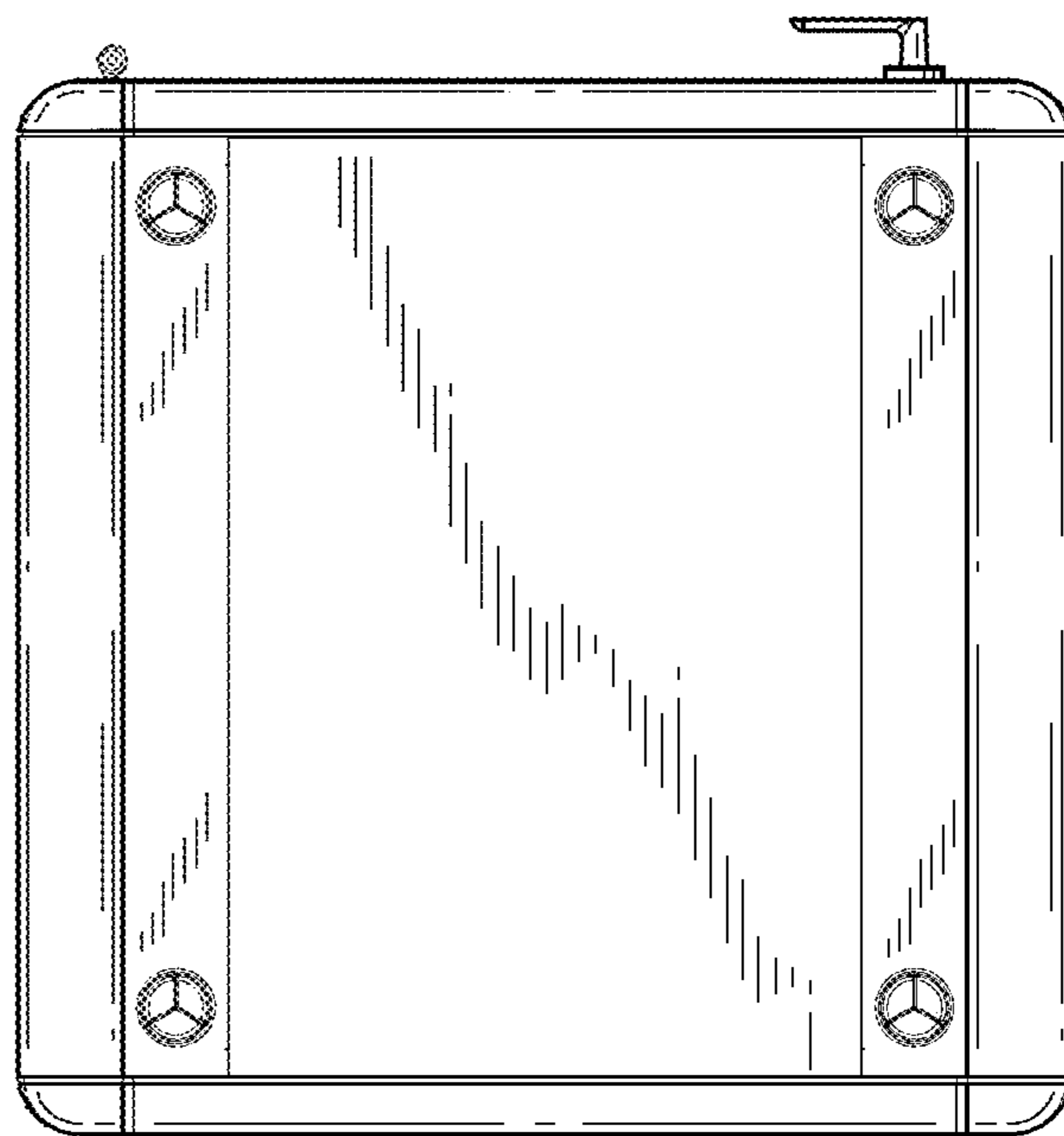


FIG. 7