



US00D921922S

(12) **United States Design Patent** (10) **Patent No.:** **US D921,922 S**
Motomura et al. (45) **Date of Patent:** **** Jun. 8, 2021**

(54) **SAMPLE HOLDER**

D786,448 S * 5/2017 Ohsaka D24/224
D808,039 S * 1/2018 Self D24/227
D832,456 S * 10/2018 Self D24/224

(Continued)

(71) Applicant: **SUMITOMO ELECTRIC INDUSTRIES, LTD.**, Osaka (JP)

(72) Inventors: **Asako Motomura**, Osaka (JP); **Akinori Kimura**, Osaka (JP); **Yoko Sugiyama**, Osaka (JP); **Hiroshi Suganuma**, Osaka (JP)

FOREIGN PATENT DOCUMENTS

JP 1346184 S 7/2009
KR 3020180009767 * 2/2018

Primary Examiner — Susan Bennett Hattan

Assistant Examiner — Omeed Agilee

(73) Assignee: **Sumitomo Electric Industries, Ltd.**, Osaka (JP)

(74) *Attorney, Agent, or Firm* — Baker Botts L.L.P.; Michael A. Sartori

(**) Term: **15 Years**

(57) **CLAIM**

(21) Appl. No.: **29/684,853**

The ornamental design for a sample holder, as shown and described.

(22) Filed: **Mar. 25, 2019**

(30) **Foreign Application Priority Data**

DESCRIPTION

Sep. 25, 2018 (JP) 2018-020814
Sep. 25, 2018 (JP) 2018-020815

(51) **LOC (13) Cl.** **24-02**

(52) **U.S. Cl.**
USPC **D24/227**; D24/229

(58) **Field of Classification Search**
USPC D24/216, 223–230; D3/203.1, 203.3
CPC A61B 5/150343; B01D 9/00; B01L 3/06;
B01L 3/502; B01L 3/5025
See application file for complete search history.

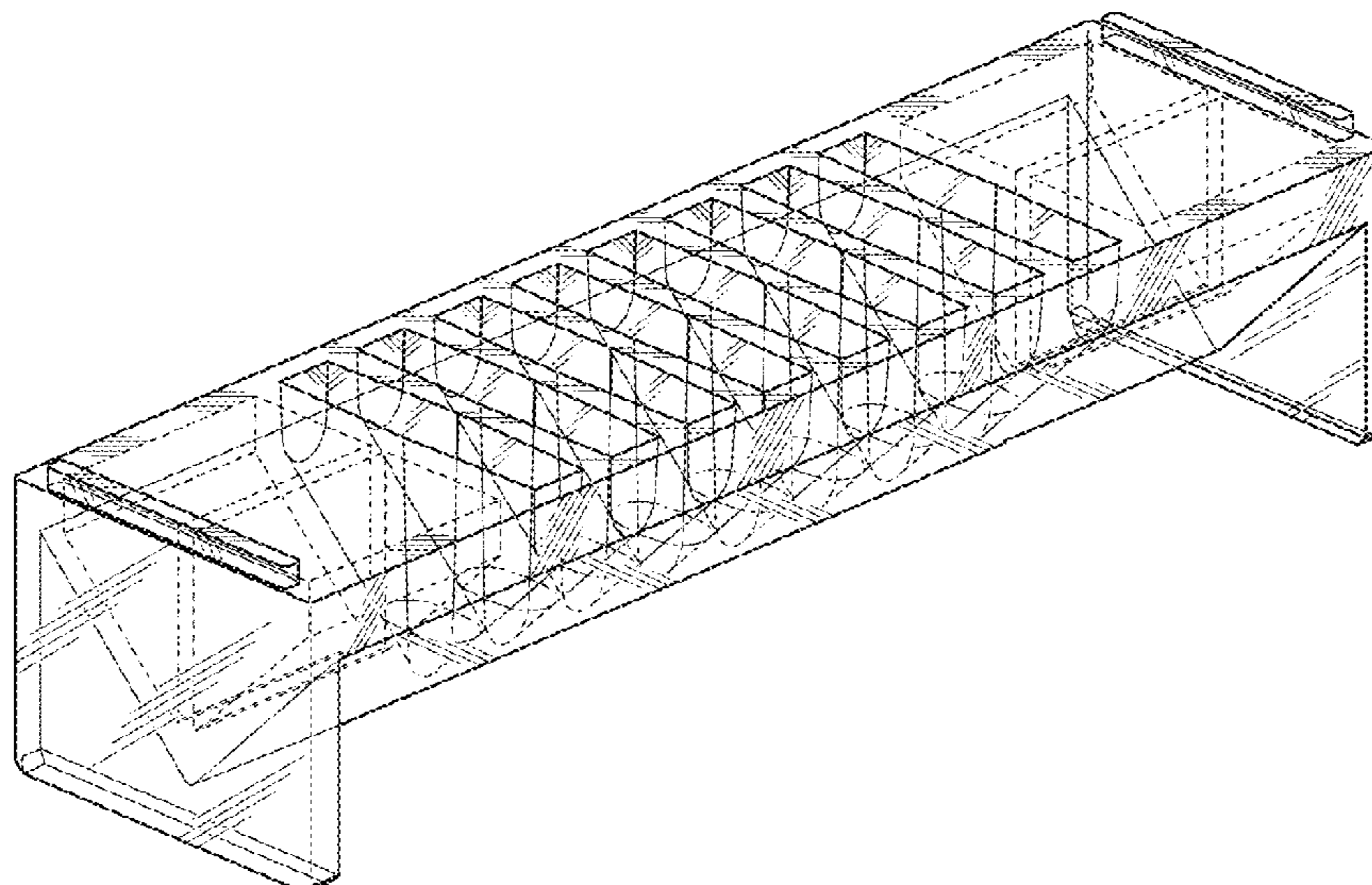
FIG. 1 is a left perspective view of the present invention.
FIG. 2 is a right perspective view thereof.
FIG. 3 is a front view thereof.
FIG. 4 is a rear view thereof.
FIG. 5 is a top plan view thereof.
FIG. 6 is a bottom plan view thereof.
FIG. 7 is a right side view thereof.
FIG. 8 is a left side view thereof.
FIG. 9 is a sectional view taken along the line 9-9 of the sample holder of FIG. 5.
FIG. 10 is an enlarged sectional view taken along the line 10-10 of the sample holder of FIG. 3.
FIG. 11 is an enlarged sectional view taken along the line 11-11 of the sample holder of FIG. 3; and,
FIG. 12 is a sectional view taken along the line 12-12 of the sample holder of FIG. 3.
The features shown in broken lines depict environmental subject matter only and form no part of the claimed design.
The dot dash dot broken lines depict the boundaries of the claim and form no part thereof.

(56) **References Cited**

U.S. PATENT DOCUMENTS

D224,671 S * 8/1972 Eddy D24/229
D242,154 S * 11/1976 Goy D24/220
D242,654 S * 12/1976 Rawls D24/229
D264,245 S * 5/1982 Olsen D24/229
D416,330 S * 11/1999 Brown D24/224
D438,632 S * 3/2001 Miller D24/216
D481,133 S * 10/2003 Blouin D24/216
D767,409 S * 9/2016 Nickell D9/737

1 Claim, 12 Drawing Sheets



(56)

References Cited

U.S. PATENT DOCUMENTS

D838,380 S * 1/2019 Self D24/224
D851,274 S * 6/2019 Gomi D24/224

* cited by examiner

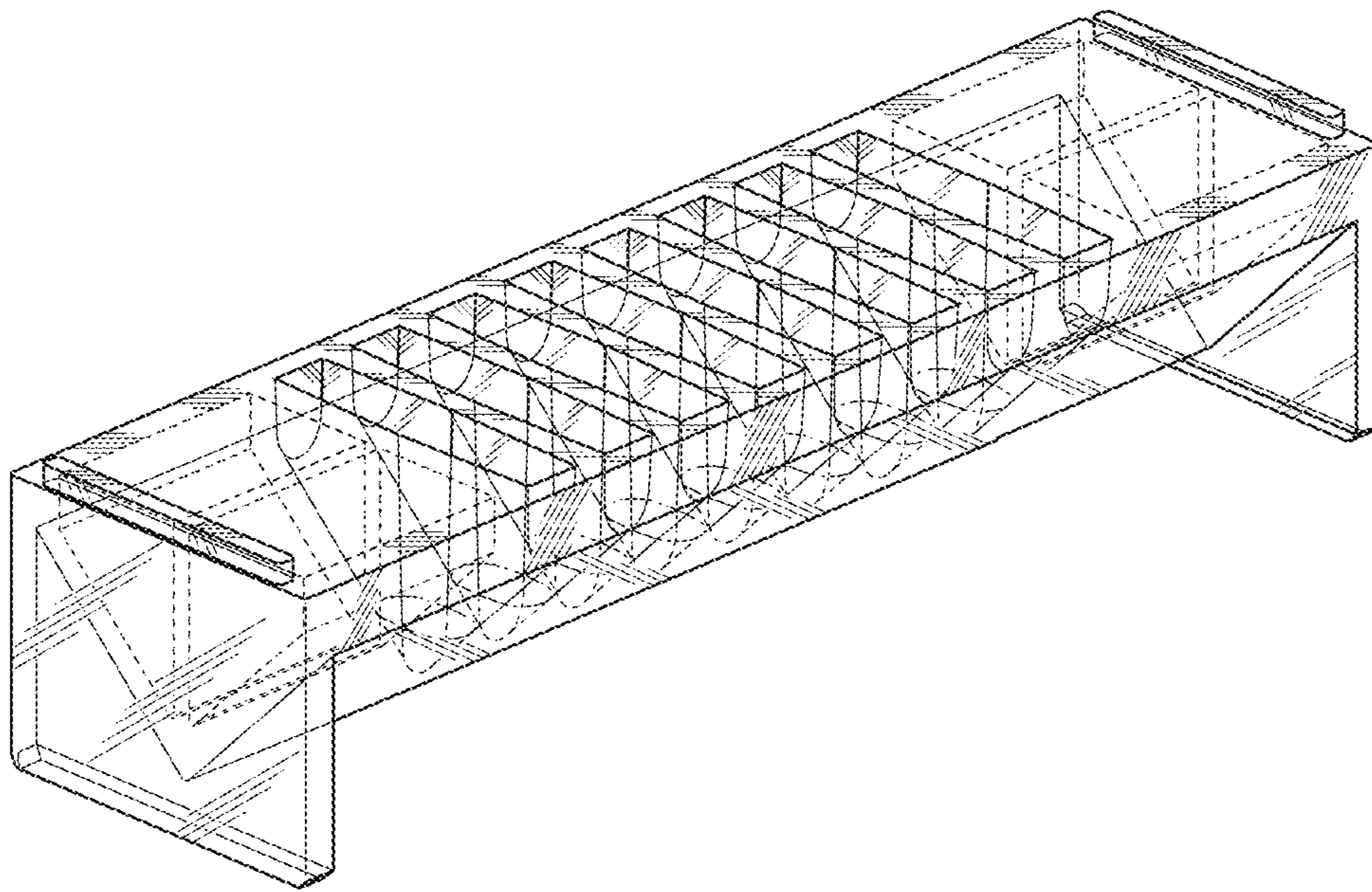


FIG. 1

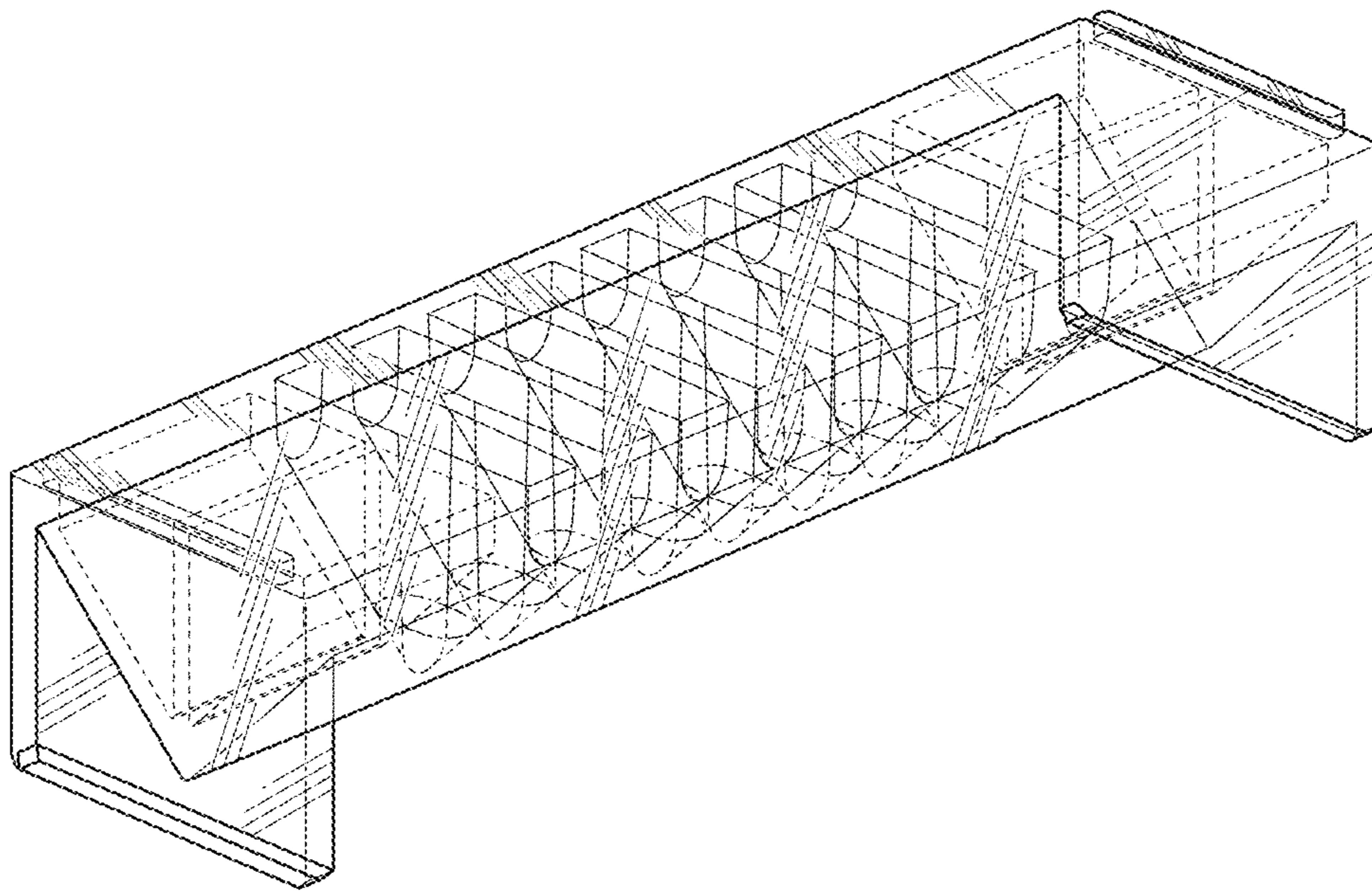


FIG. 2

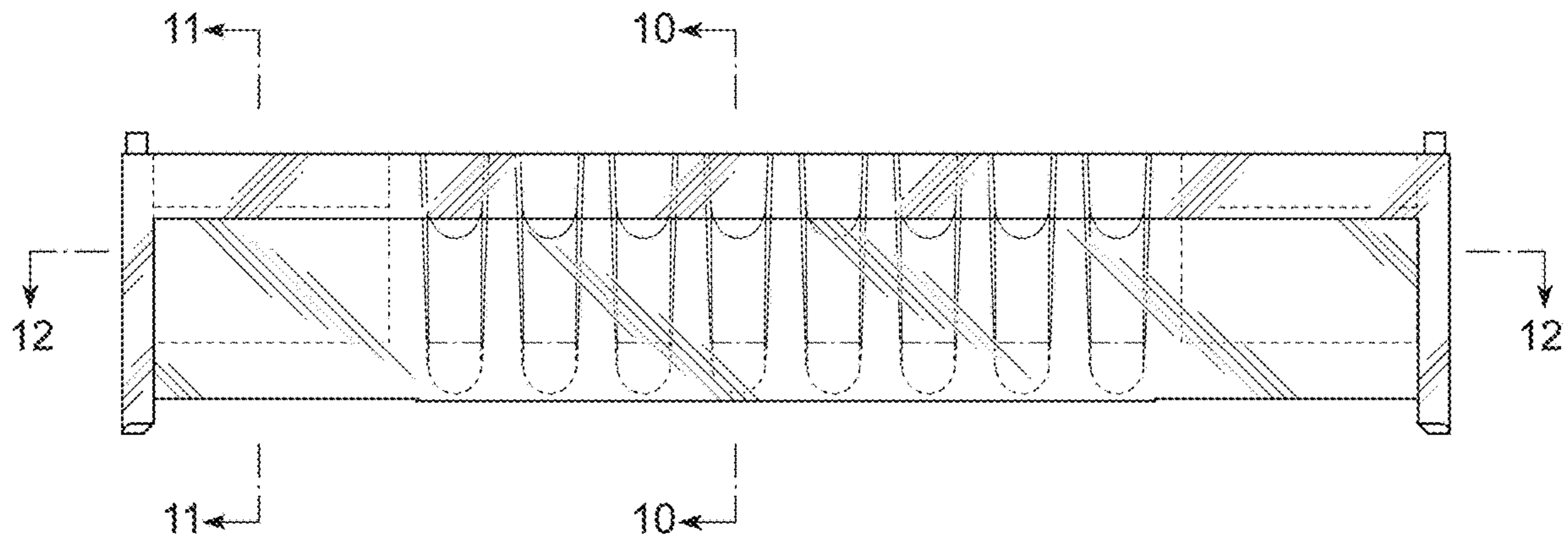


FIG. 3

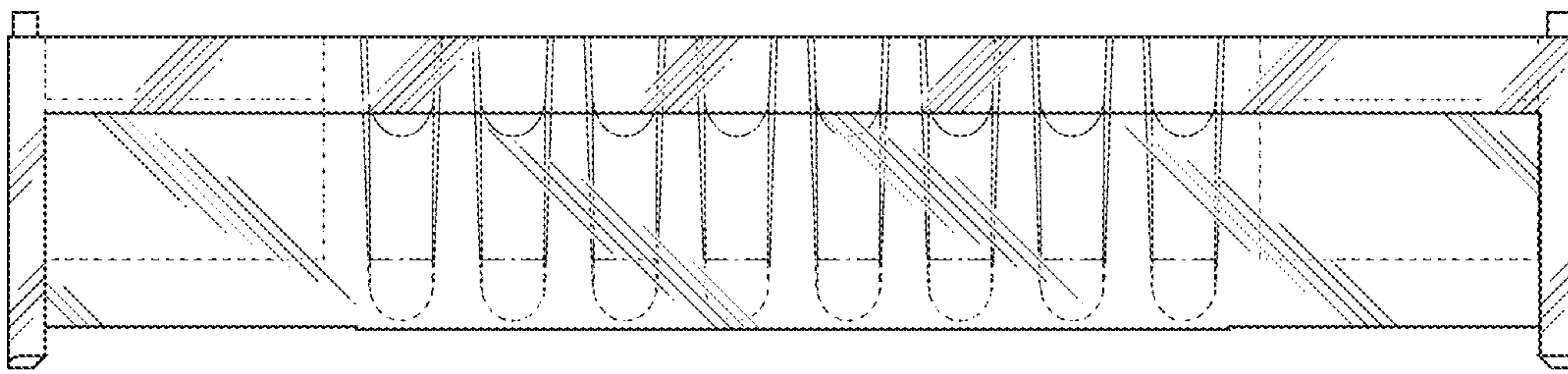


FIG. 4

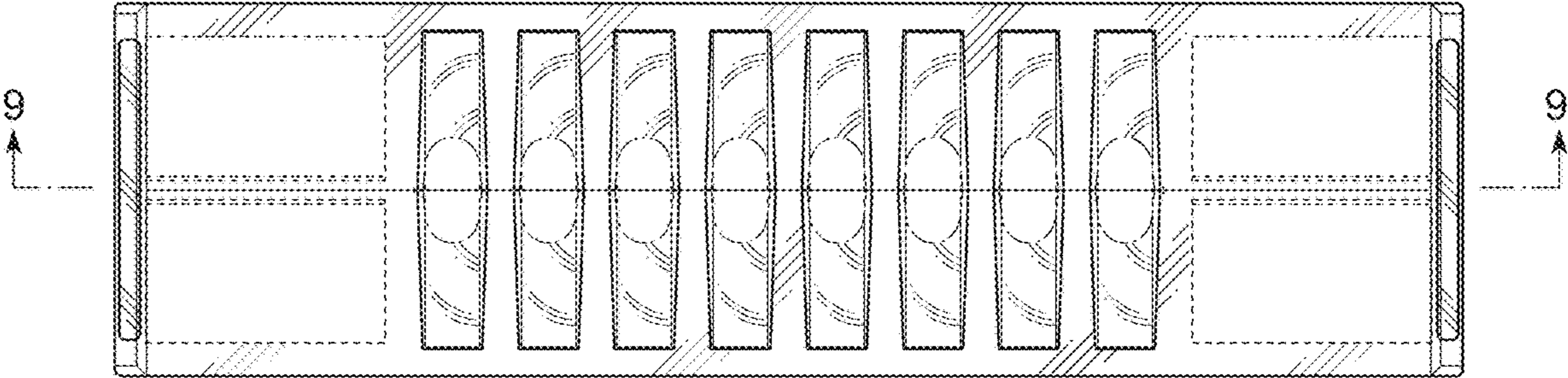


FIG. 5

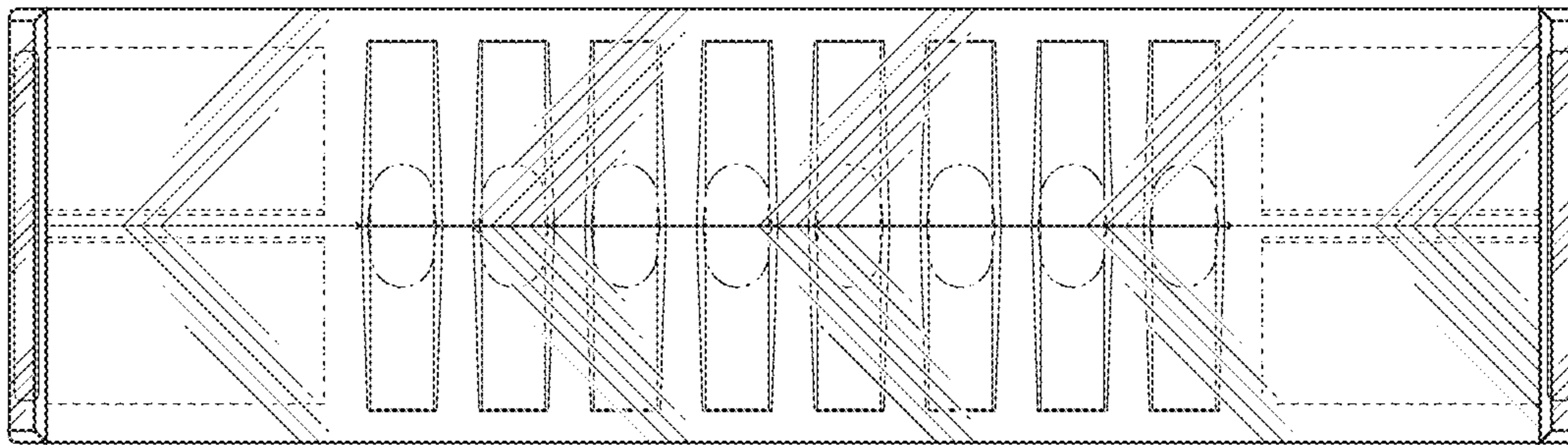


FIG. 6

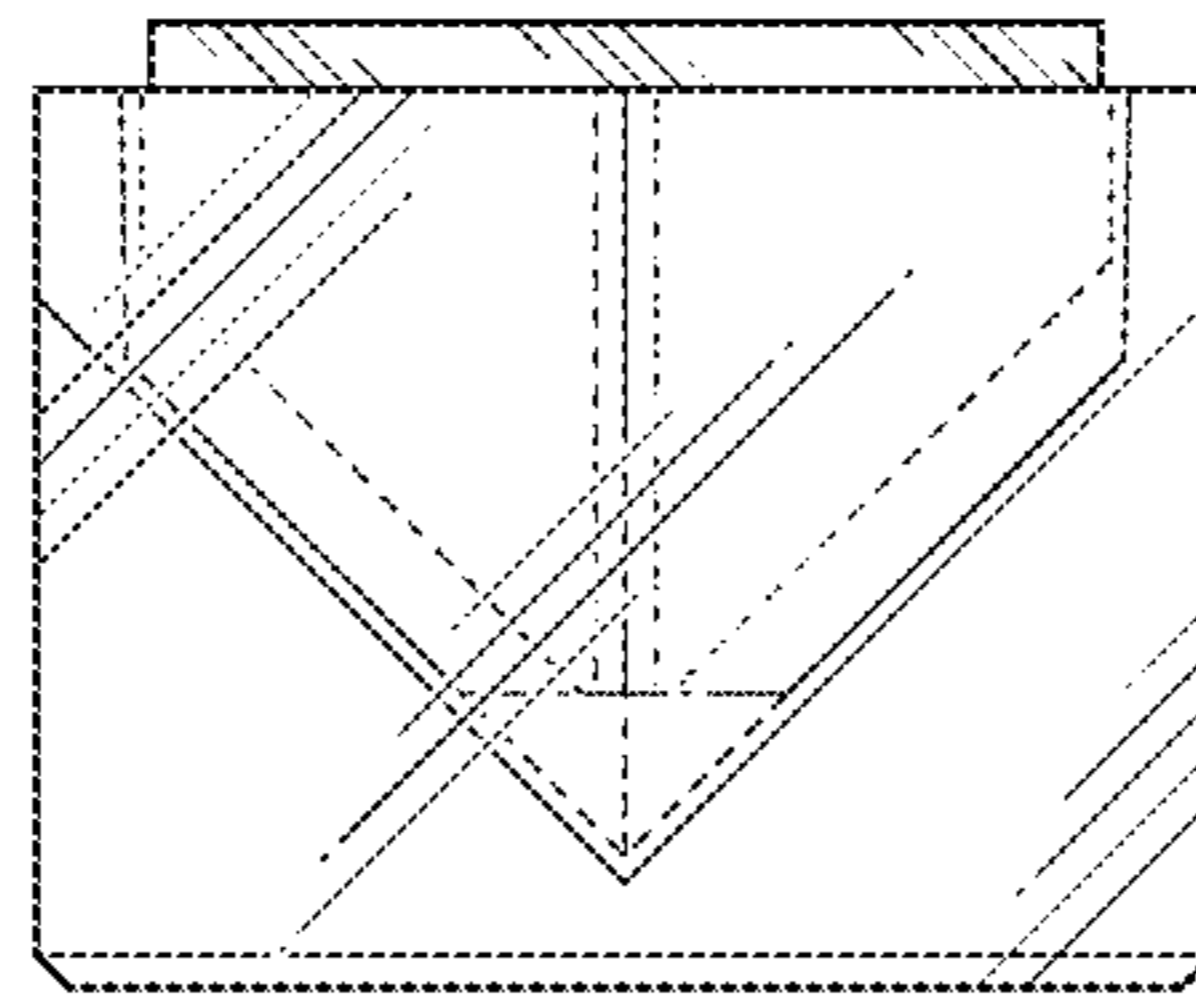


FIG. 7

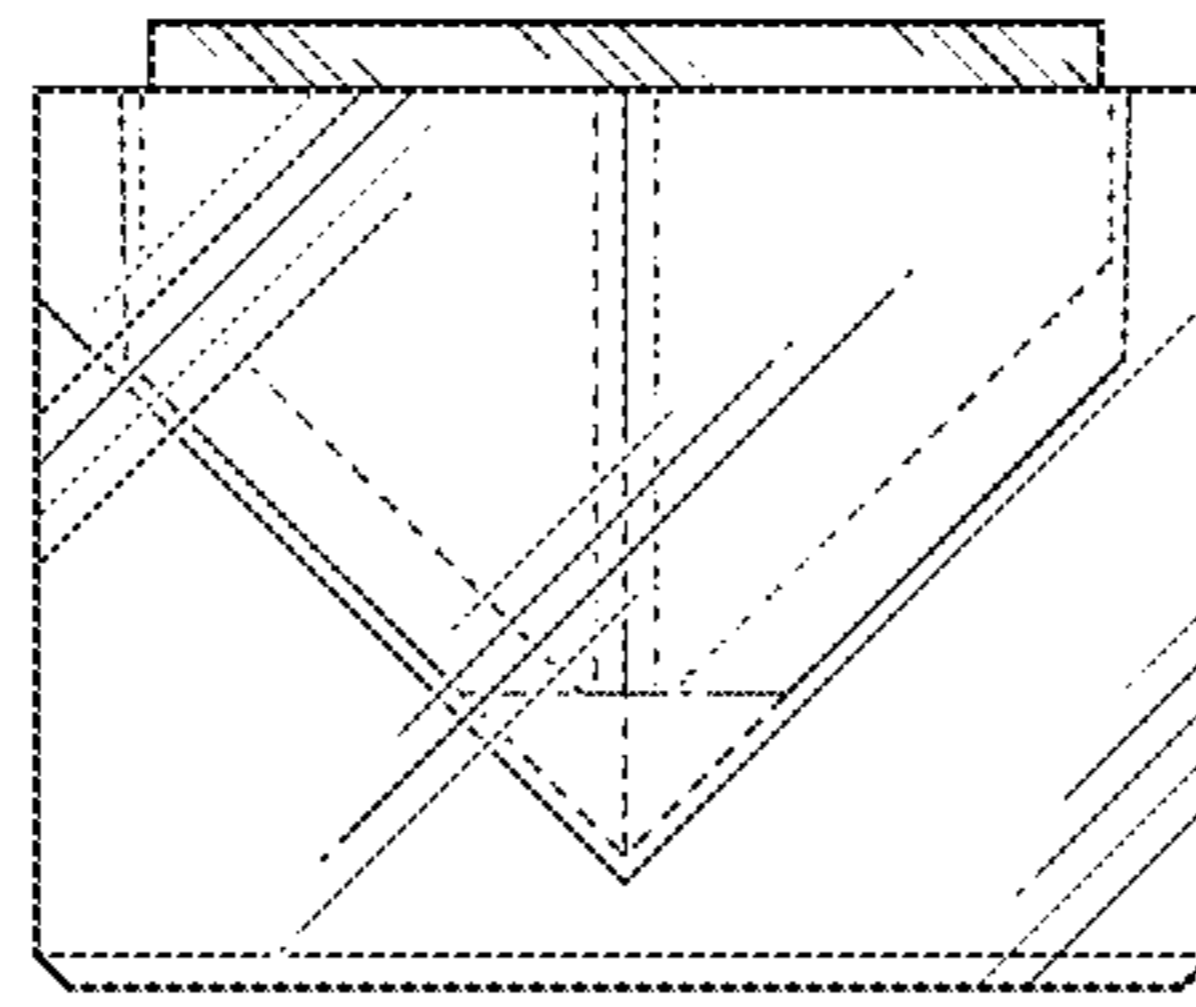


FIG. 8

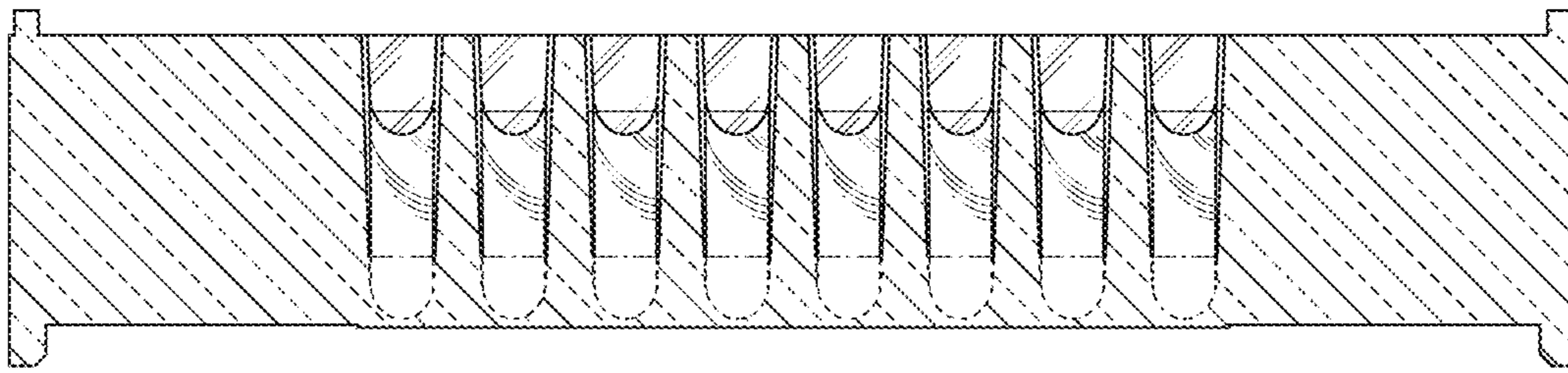


FIG. 9

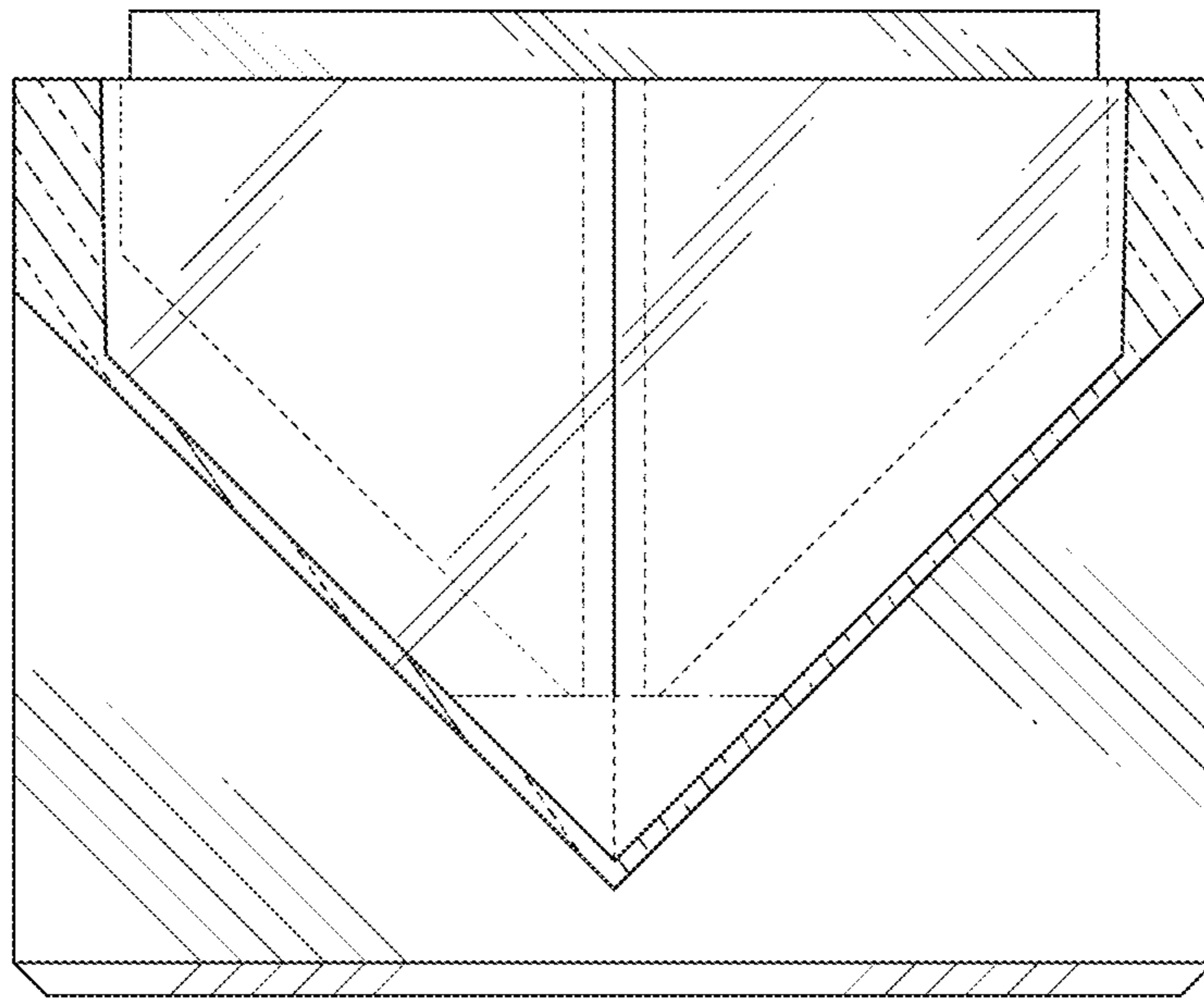


FIG. 10

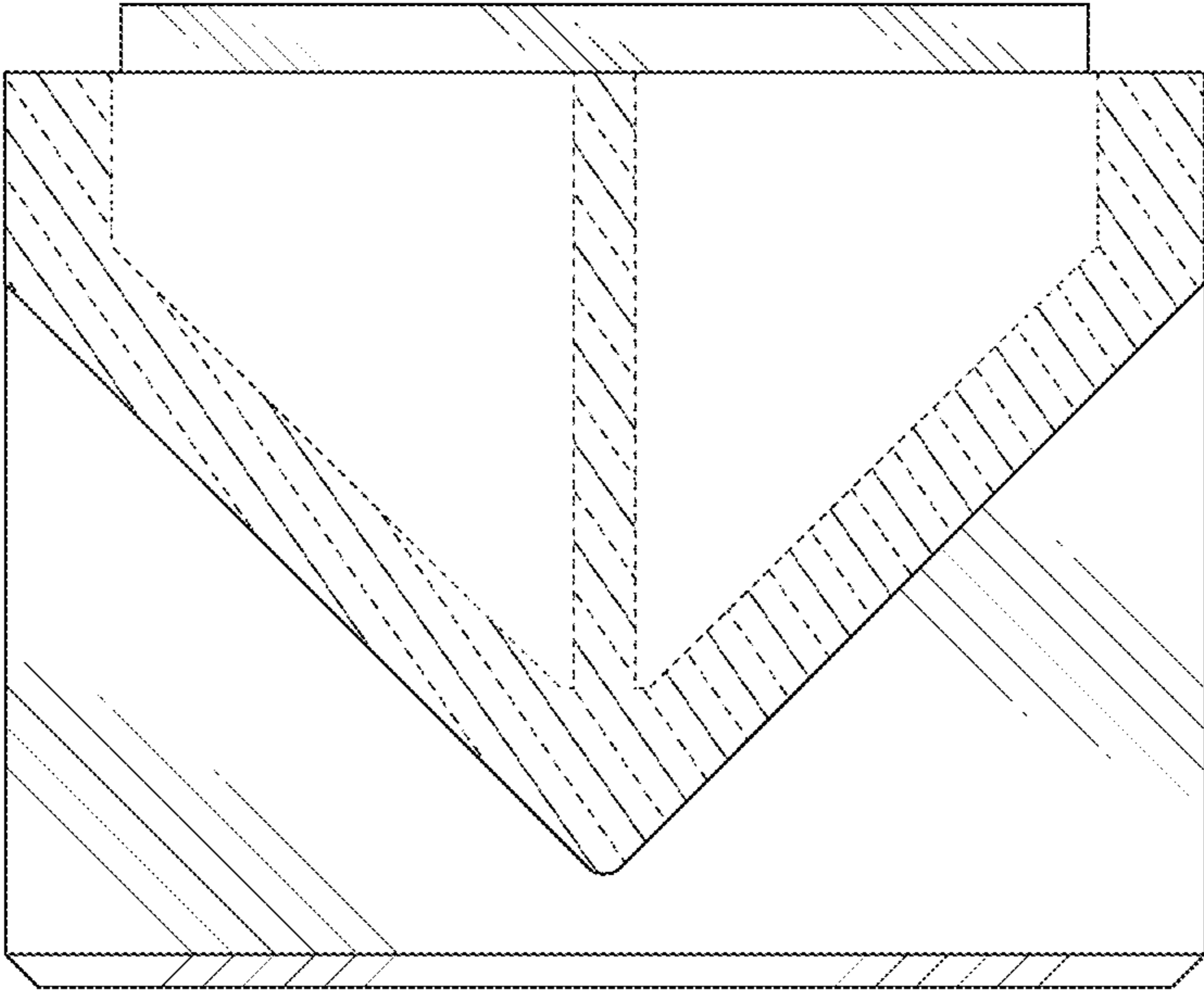


FIG. 11

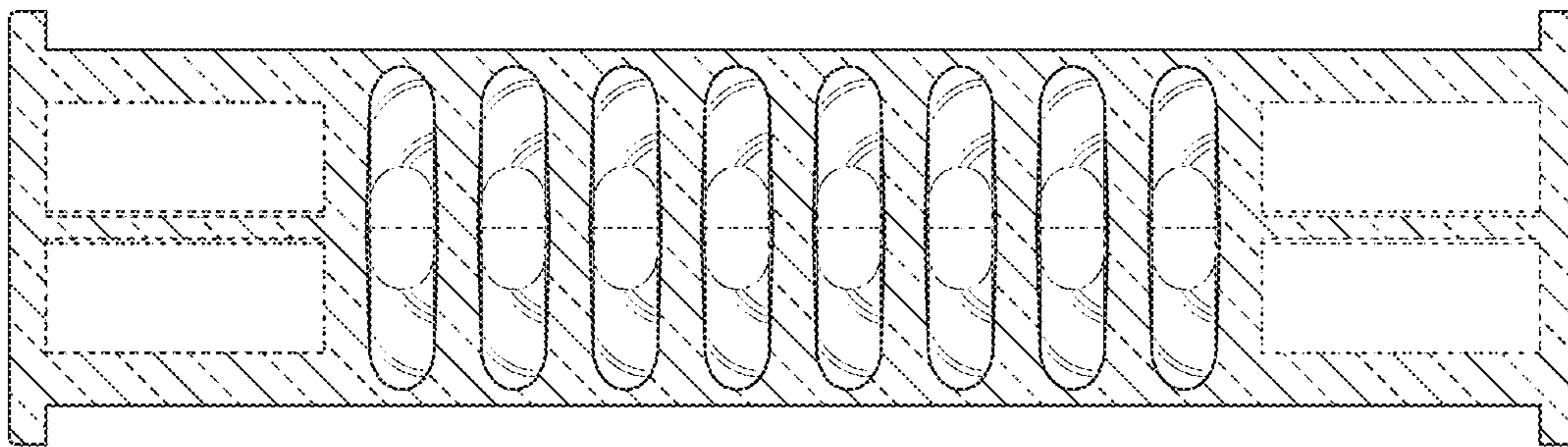


FIG. 12