



US00D921921S

(12) **United States Design Patent** (10) **Patent No.:** **US D921,921 S**
Santamarta (45) **Date of Patent:** **** Jun. 8, 2021**

(54) **CONTAINER**

(71) Applicant: **NEW VISION PHARMACEUTICALS LLC,**
Tamarac, FL (US)

(72) Inventor: **Raimundo Jose Santamarta,** Aventura,
FL (US)

(73) Assignee: **New Vision Pharmaceuticals LLC,**
Tamarac, FL (US)

(**) Term: **15 Years**

(21) Appl. No.: **29/721,047**

(22) Filed: **Jan. 17, 2020**

Related U.S. Application Data

(62) Division of application No. 29/672,508, filed on Dec. 6, 2018, now Pat. No. Des. 877,930.

(51) **LOC (13) Cl.** **24-01**

(52) **U.S. Cl.**
USPC **D24/224**

(58) **Field of Classification Search**
USPC D24/216, 219, 223–233, 186, 107, 121;
D10/81
CPC B01L 3/5029; B01L 3/508; B01L 3/5082;
B01L 3/50825; B01L 2300/046; B01L
2300/047; B01L 2300/049; B01L
2300/0832; A61B 10/0051; A61B 10/007;
A61B 10/0074; A61B 10/0038; A61B
10/0096
See application file for complete search history.

(56) **References Cited**

U.S. PATENT DOCUMENTS

D330,429 S * 10/1992 Lewis D24/224
5,422,273 A * 6/1995 Garrison A61B 10/0291
422/547

D445,908 S * 7/2001 Conway D24/216
D457,645 S * 5/2002 Eden D24/224
D516,223 S * 2/2006 Smith D24/224
D629,915 S * 12/2010 Chia D24/224
D634,440 S * 3/2011 Svard D24/224
D696,398 S * 12/2013 Blanco D24/127
D790,726 S * 6/2017 Plante D24/224
9,707,528 B2 * 7/2017 Suchocki C12Q 1/686
D827,153 S * 8/2018 Bantug D24/227
D857,915 S * 8/2019 Sakai D24/224
D877,930 S * 3/2020 Santamarta D24/224

* cited by examiner

Primary Examiner — Anhdao Doan

(74) *Attorney, Agent, or Firm* — Ralph D Chabot

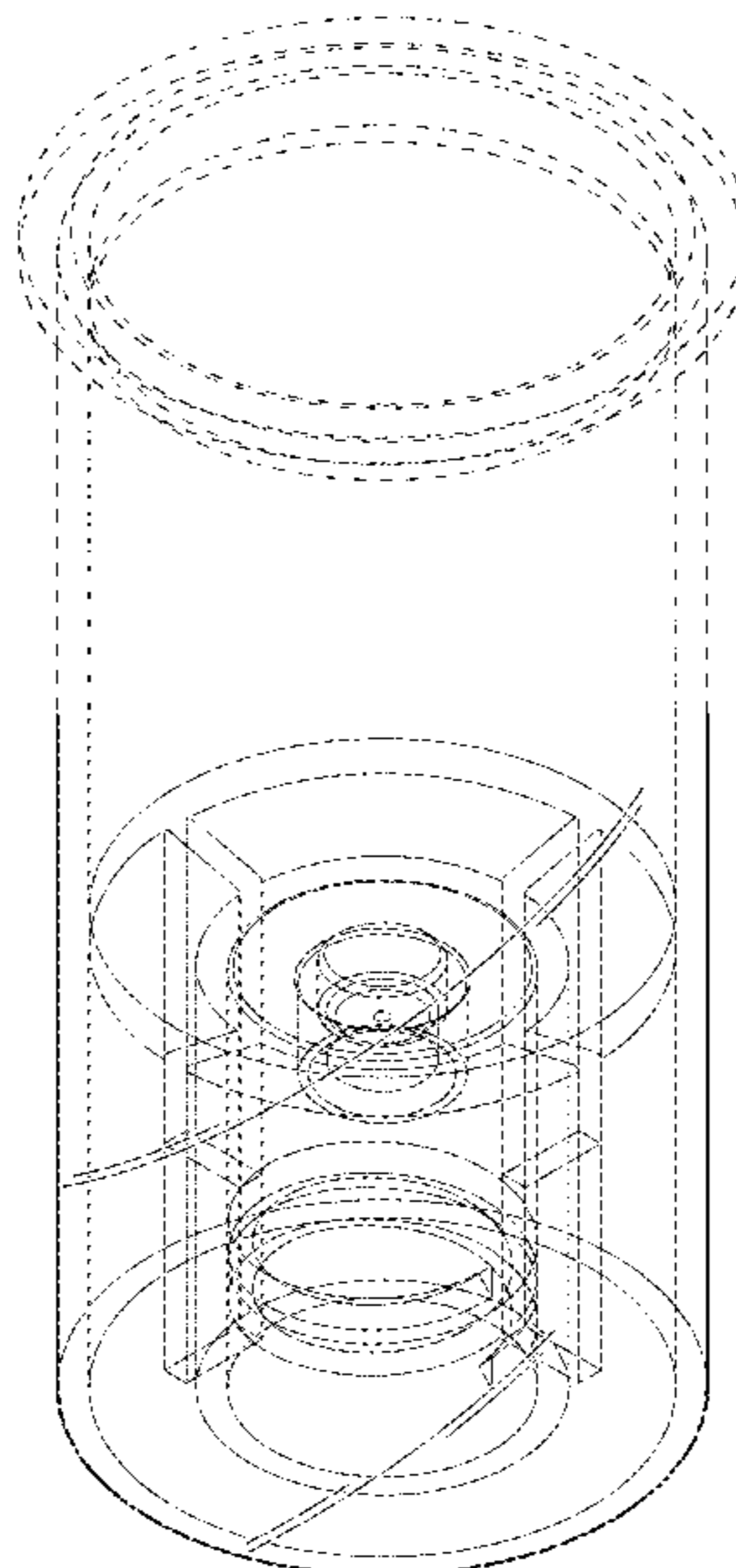
(57) **CLAIM**

The ornamental design for a container, as shown and described.

DESCRIPTION

FIG. 1 is a top, front, right side perspective view
FIG. 2 is a bottom, rear, left side perspective view
FIG. 3 is a front elevation view, the rear, left and right side elevation views being identical
FIG. 4 is a top plan view
FIG. 5 is a bottom plan view
FIG. 6 is a cross-section view taken along line 6-6 of FIG. 3; and,
FIG. 7 is a cross-section view taken along line 7-7 of FIG. 3.
The broken line portion of the figure drawings is included to show unclaimed subject matter only and forms no part of the claimed design.

1 Claim, 4 Drawing Sheets



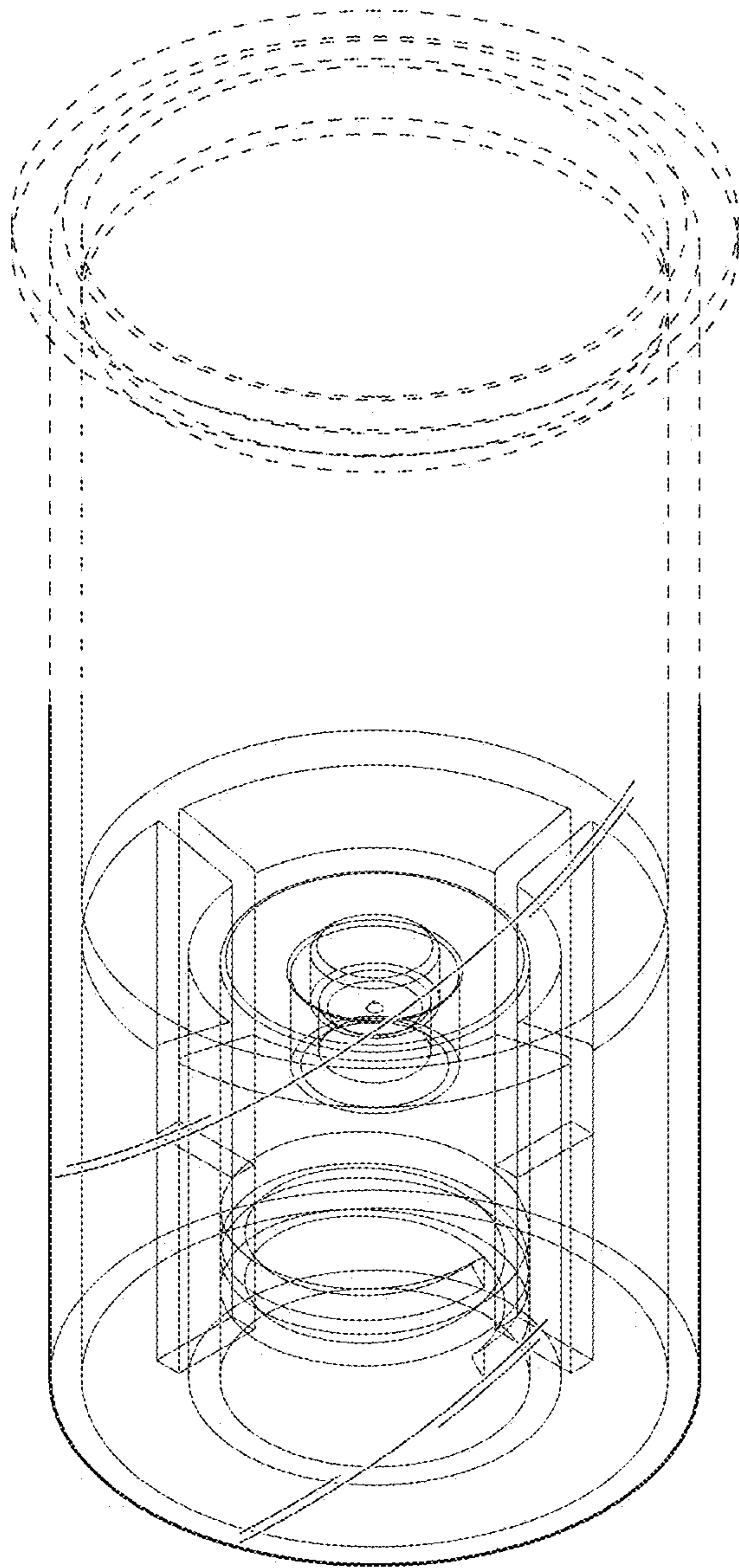


FIG. 1

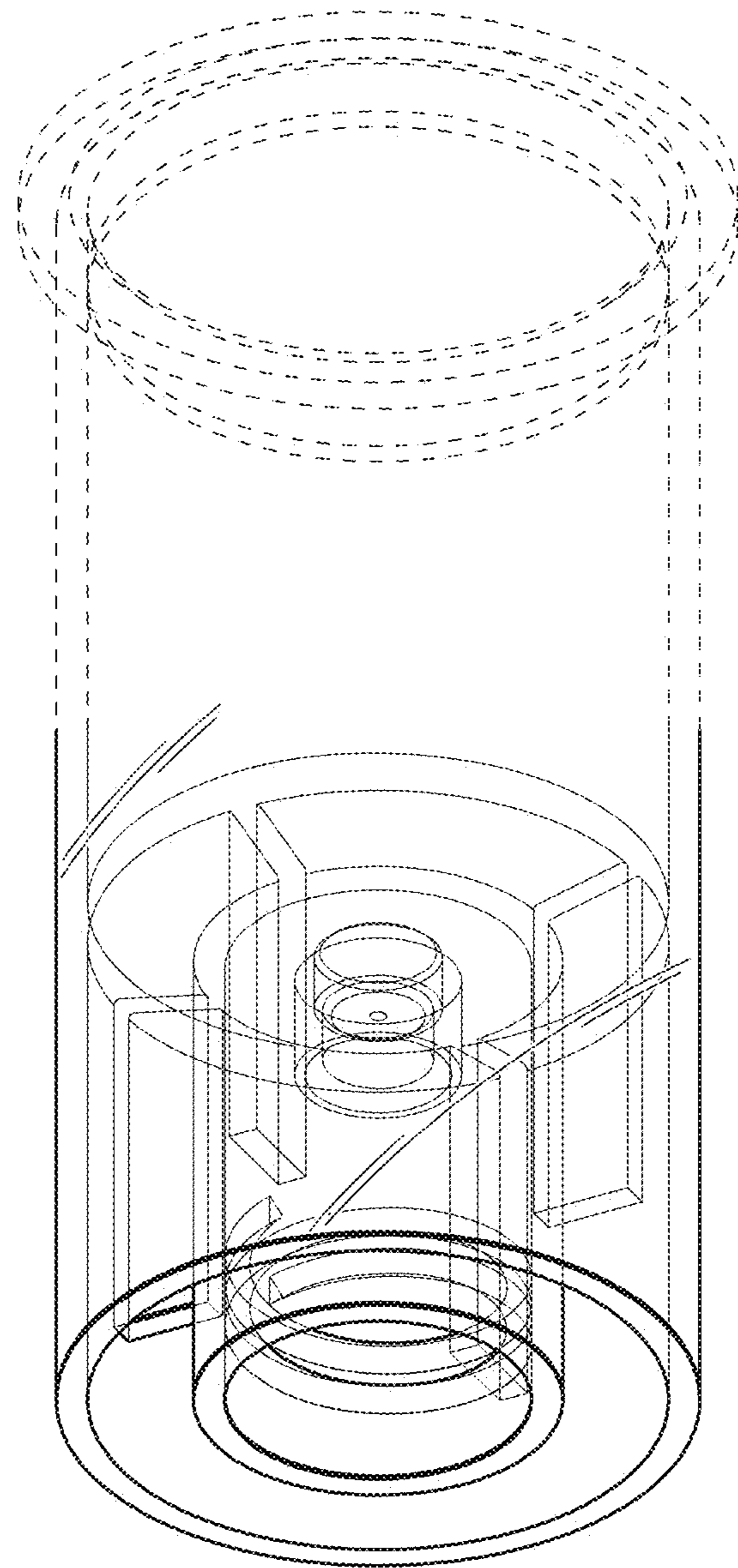


FIG. 2

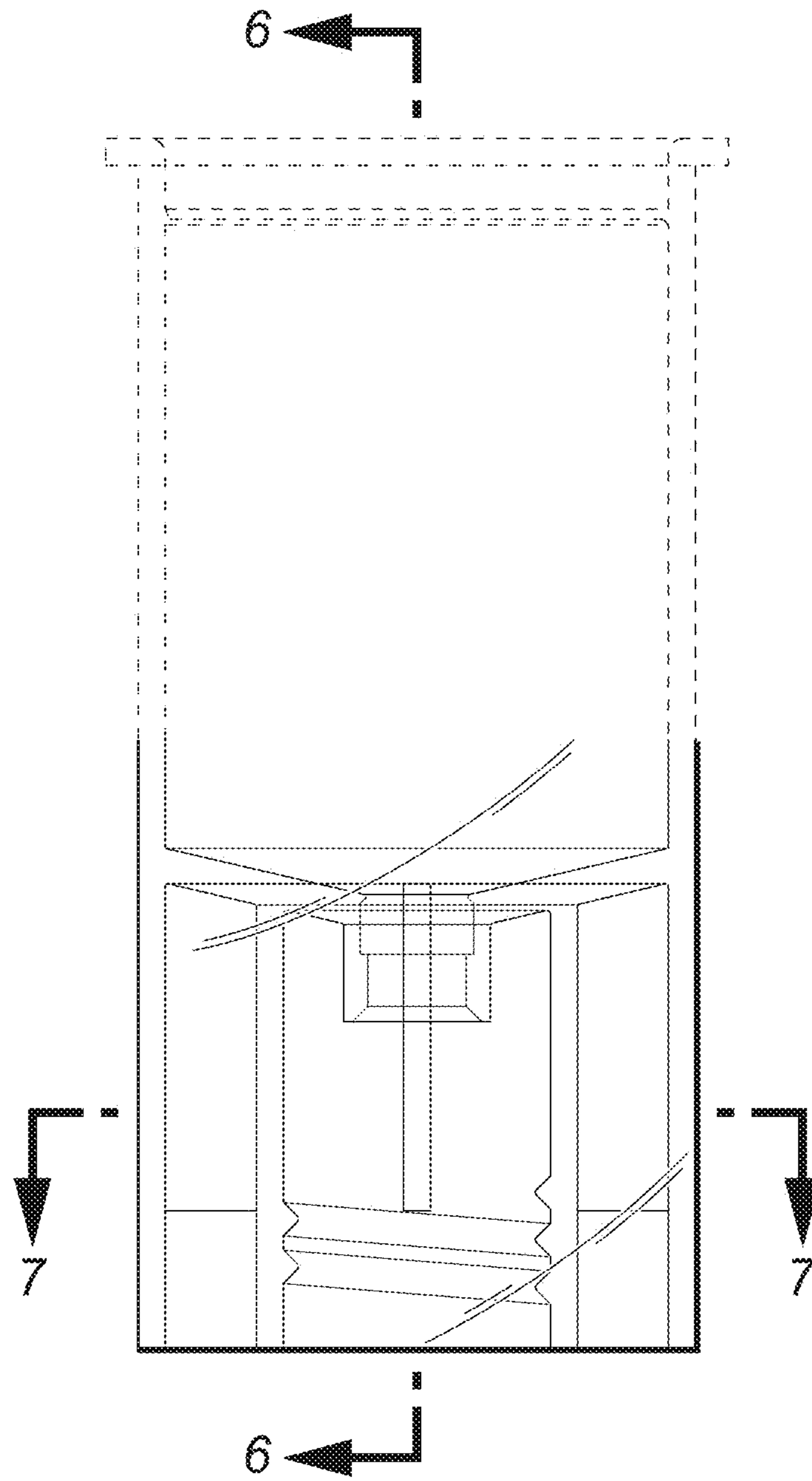


FIG. 3

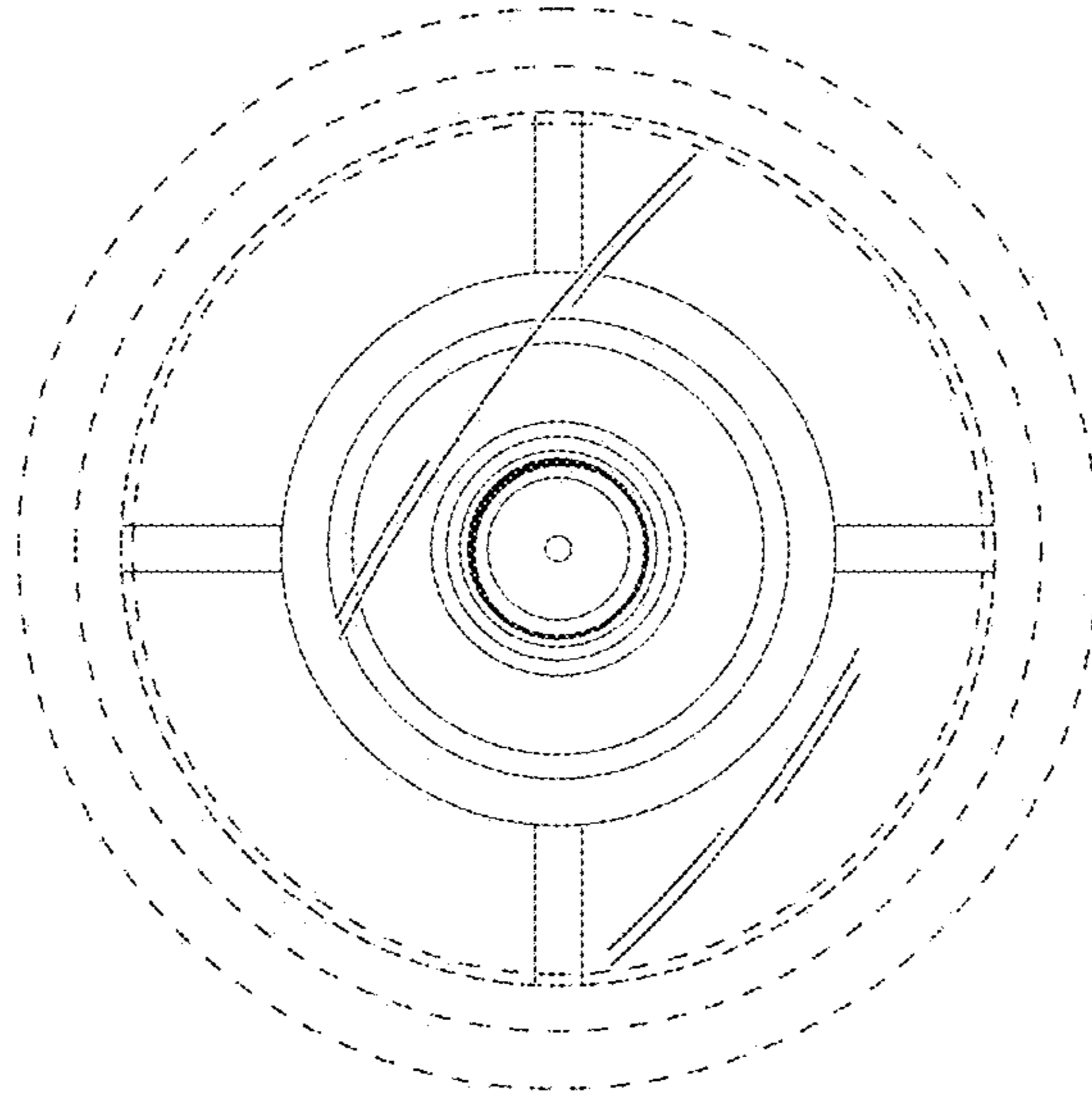


FIG. 4

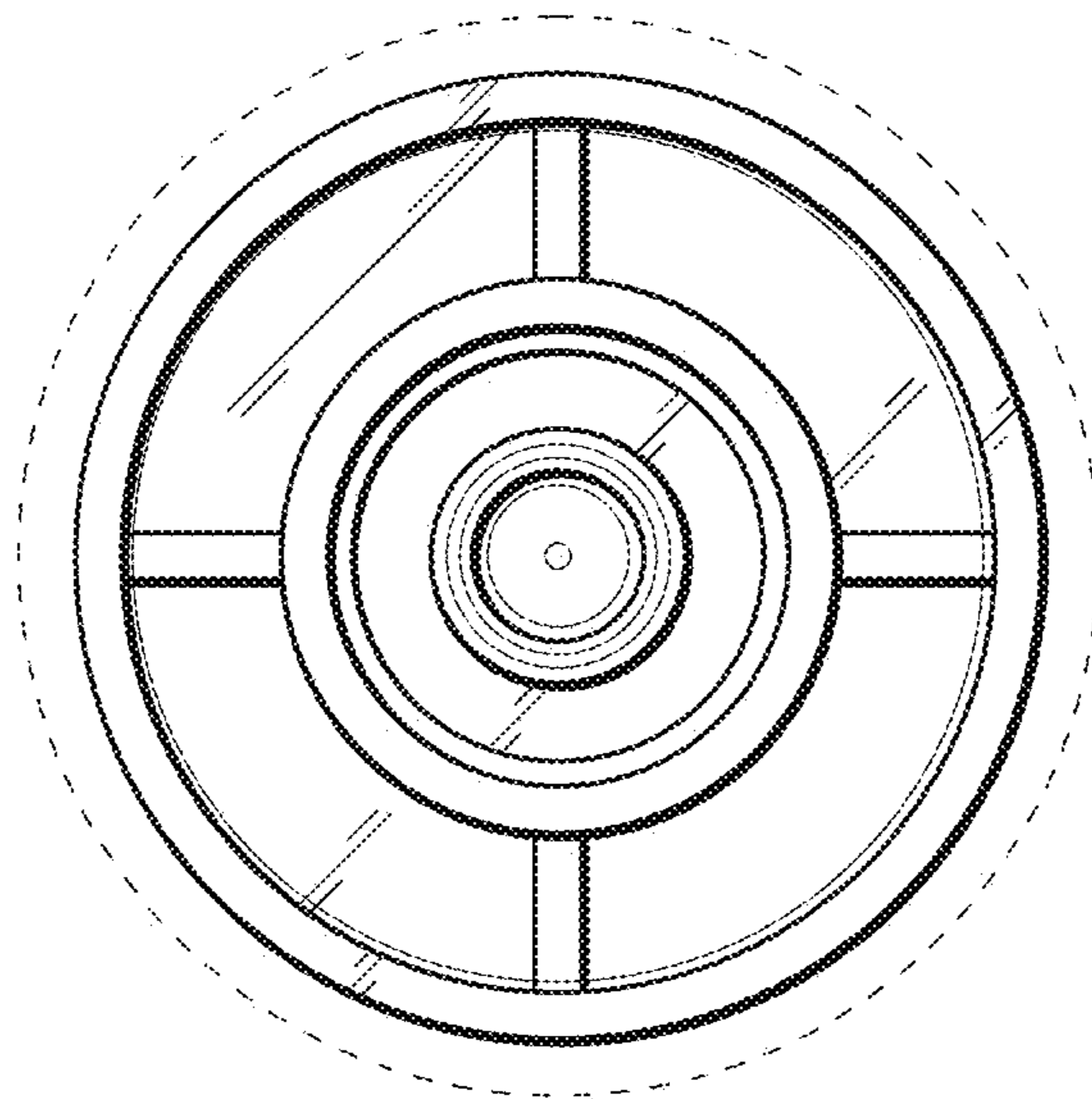


FIG. 5

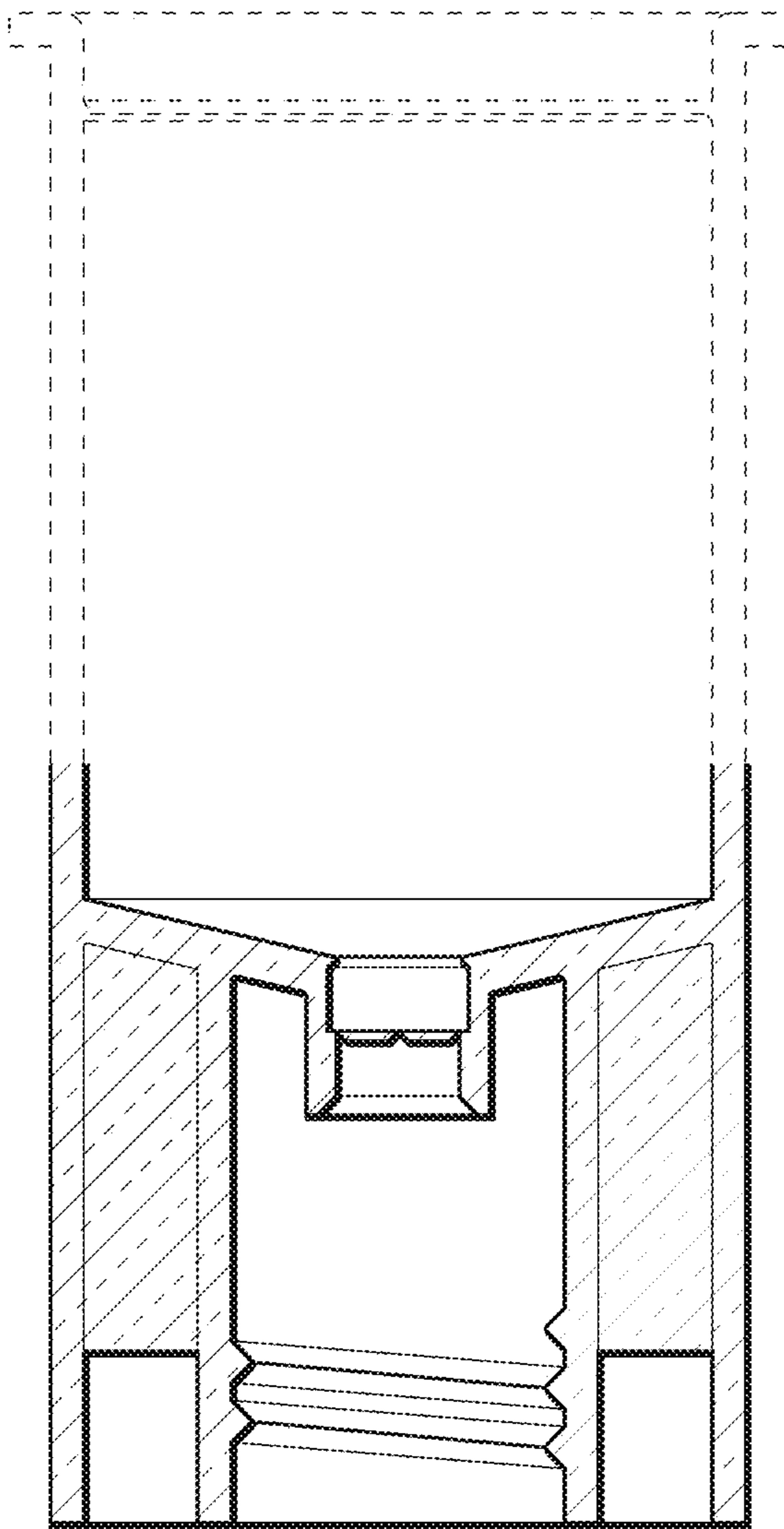


FIG. 6

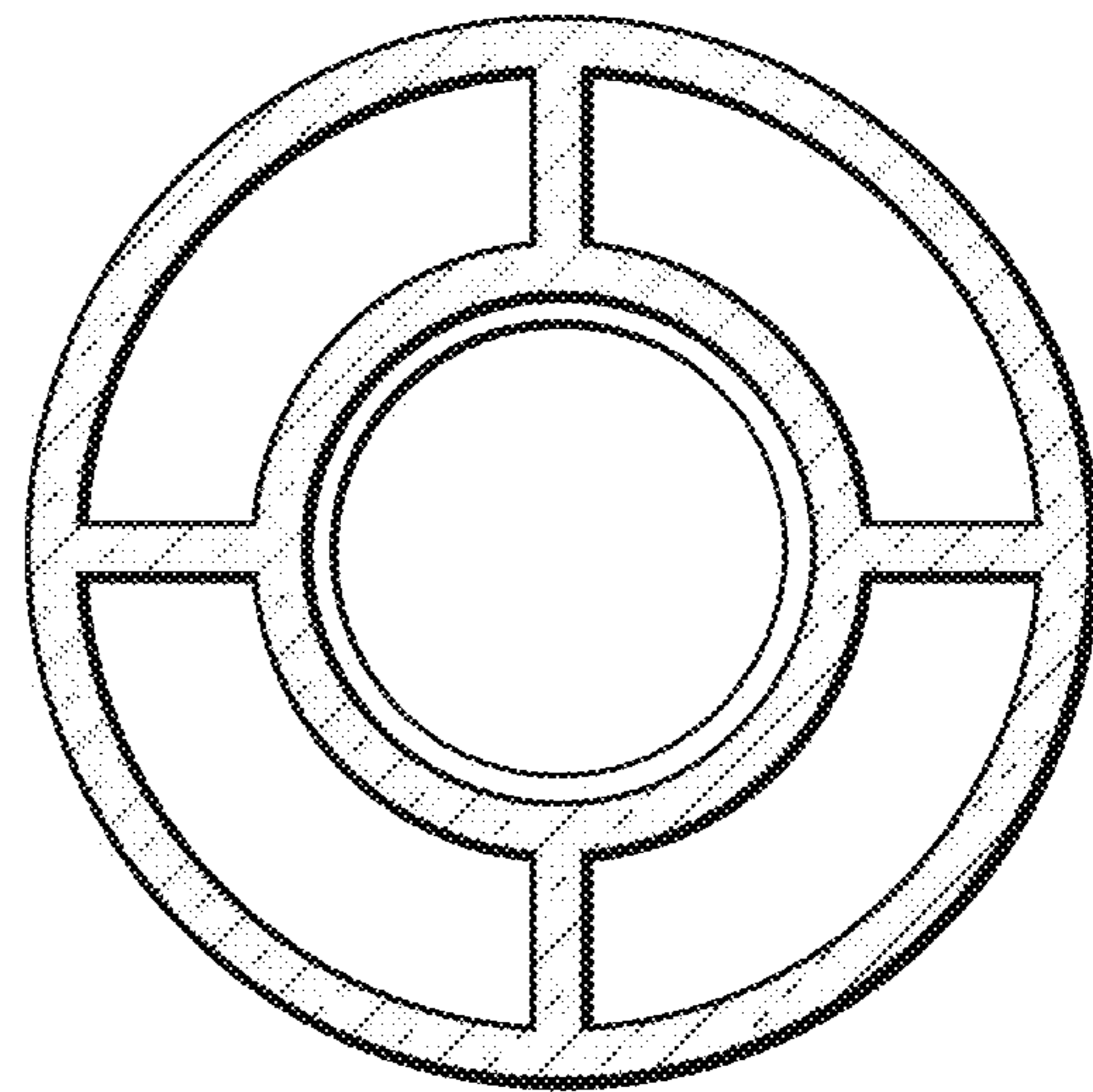


FIG. 7