



US00D921920S

(12) **United States Design Patent** (10) **Patent No.:** **US D921,920 S**  
**Rotach et al.** (45) **Date of Patent:** **\*\* Jun. 8, 2021**

(54) **PIPETTE VERIFICATION DEVICE**

(71) Applicant: **Mettler-Toledo GmbH**, Greifensee (CH)

(72) Inventors: **Hansjörg Rotach**, Volketswil (CH); **Fred Held**, Hamburg (DE); **Christoph Lang**, Schwerzenbach (CH); **Peter Uebersax**, Zürich (CH)

(73) Assignee: **Mettler-Toledo GmbH**, Greifensee (CH)

(\*\*) Term: **15 Years**

(21) Appl. No.: **29/705,111**

(22) Filed: **Sep. 10, 2019**

(30) **Foreign Application Priority Data**

Mar. 26, 2019 (EM) ..... 006337119

(51) **LOC (13) Cl.** ..... **24-01**

(52) **U.S. Cl.**  
USPC ..... **D24/222**; D24/232

(58) **Field of Classification Search**  
USPC ..... D24/216, 219, 222-233, 186, 107, 121;  
D10/81, 96, 97  
CPC .... G01F 25/003; G01F 13/006; G01F 11/029;  
B01L 2200/146  
See application file for complete search history.

(56) **References Cited**

**U.S. PATENT DOCUMENTS**

D654,385 S \* 2/2012 Ike ..... D10/96  
D685,267 S \* 7/2013 Stout ..... D9/441  
D799,717 S \* 10/2017 Bohm ..... D24/232

2004/0171983 A1\* 9/2004 Sparks ..... G01F 13/006  
604/65  
2007/0056351 A1\* 3/2007 Curtis ..... G01F 25/003  
73/1.74  
2010/0266454 A1\* 10/2010 Reichmuth ..... B01L 3/0279  
422/501  
2011/0268627 A1\* 11/2011 Warhurst ..... B01L 3/0227  
422/511  
2012/0211517 A1\* 8/2012 Schmid ..... B01L 3/0237  
222/63  
2017/0370956 A1\* 12/2017 Hurwitz ..... C12M 1/34

**OTHER PUBLICATIONS**

Reduce Risk with SmartCheck. Mettler Toledo. [www.mt.com/SmartCheck](http://www.mt.com/SmartCheck). Feb. 2020.\*

\* cited by examiner

*Primary Examiner* — Anhdao Doan

(74) *Attorney, Agent, or Firm* — Standley Law Group LLP; Jeffrey S. Standley; Stephen L. Grant

(57) **CLAIM**

The ornamental design for a pipette verification device, as shown and described.

**DESCRIPTION**

FIG. 1 is a front perspective view of a pipette verification device;

FIG. 2 is a front elevation view thereof;

FIG. 3 is a rear elevation view thereof;

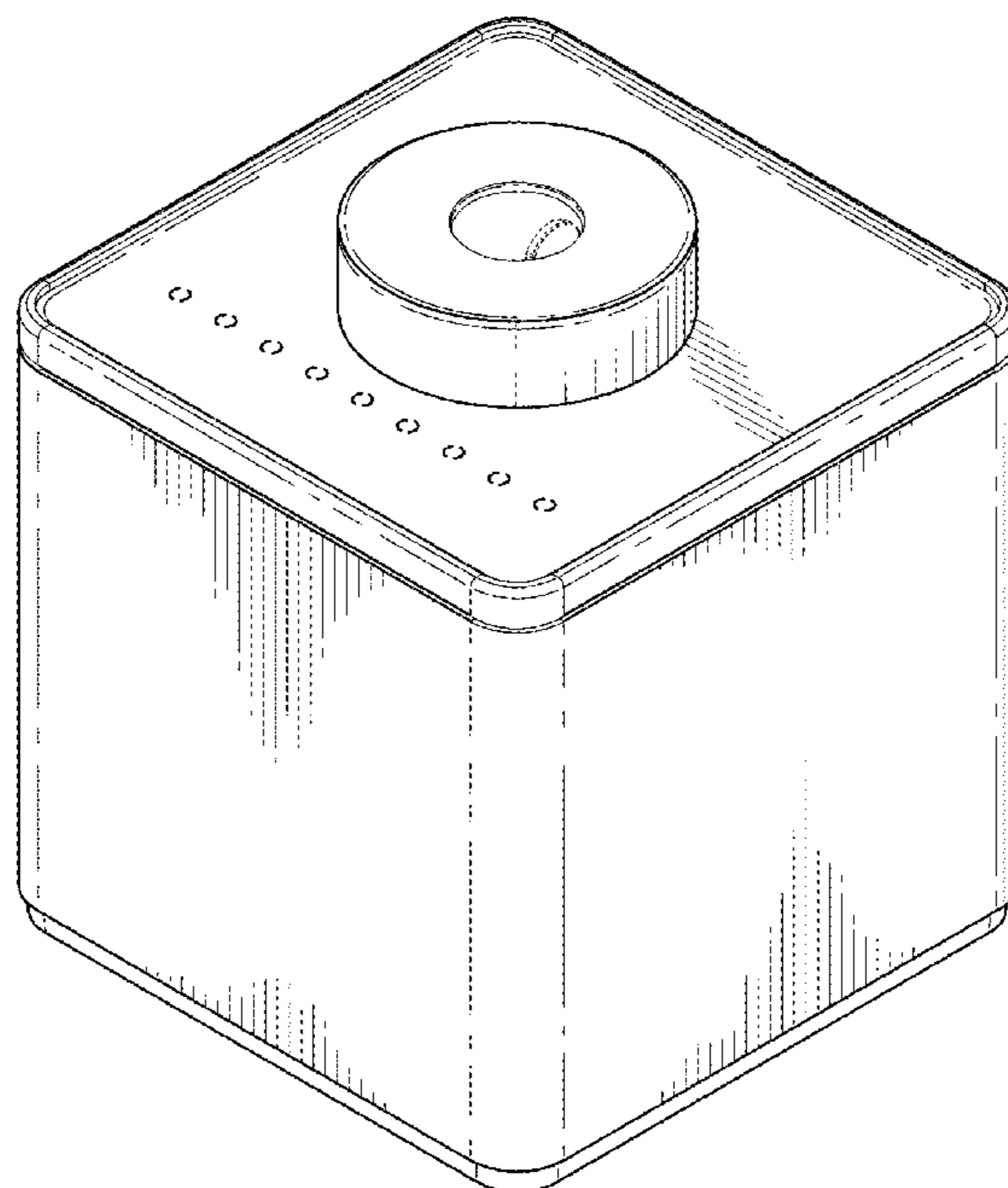
FIG. 4 is a left-side plan view thereof;

FIG. 5 is a right-side plan view thereof; and,

FIG. 6 is a top plan view thereof.

No bottom plan view is shown, as the bottom is devoid of ornamentation. The broken lines define the bounds of the claimed design and form no part thereof.

**1 Claim, 6 Drawing Sheets**



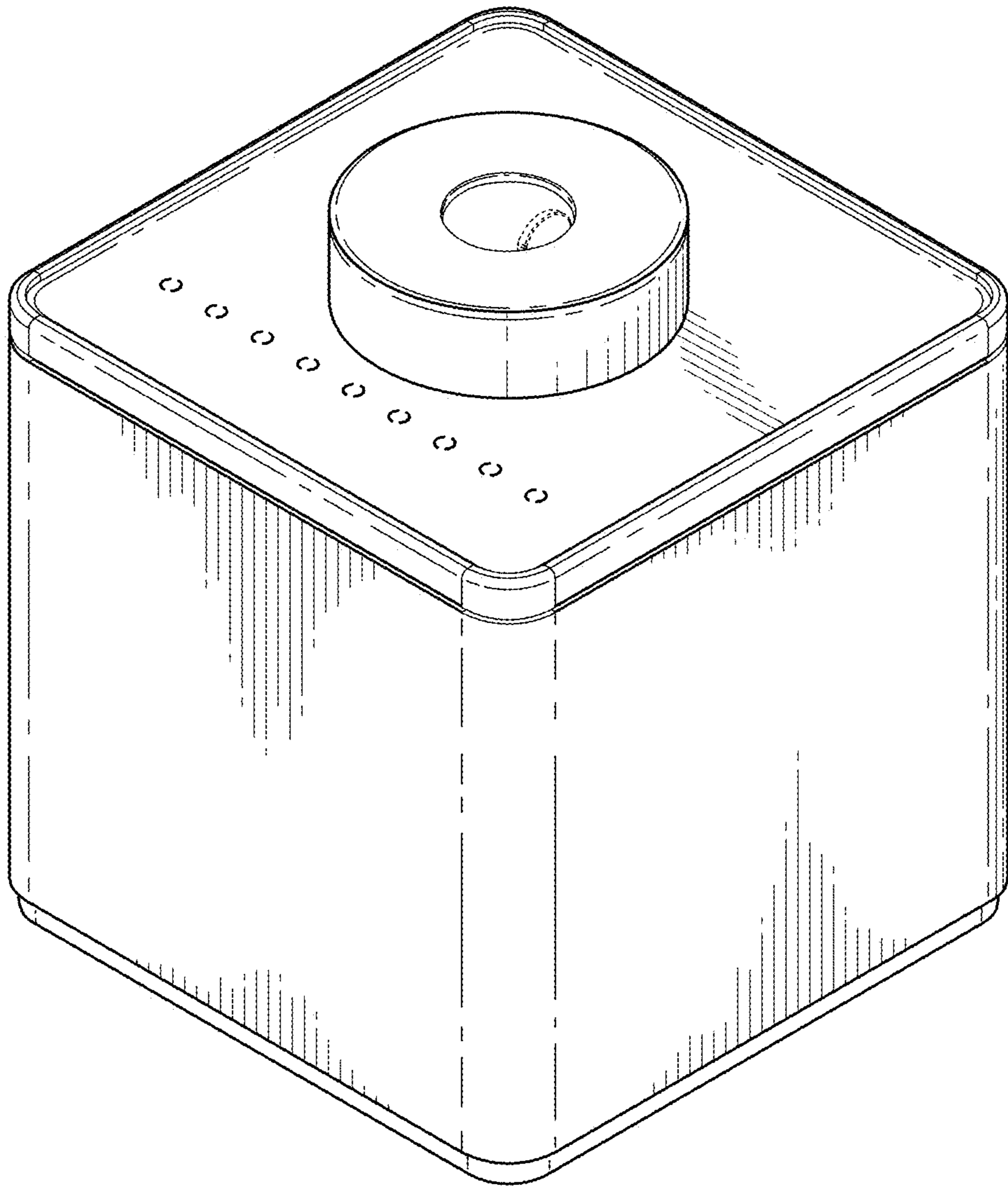


FIG. 1

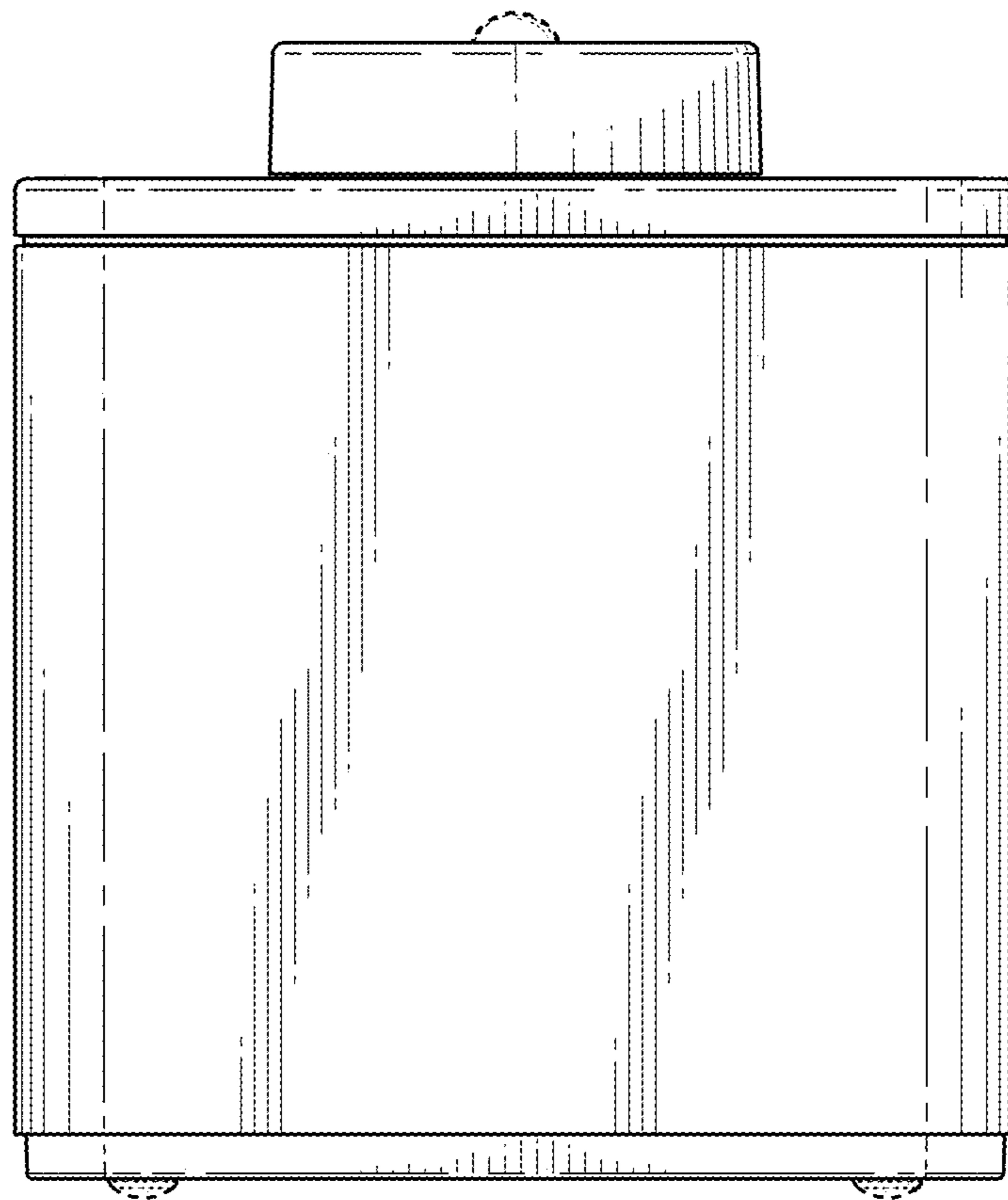


FIG. 2

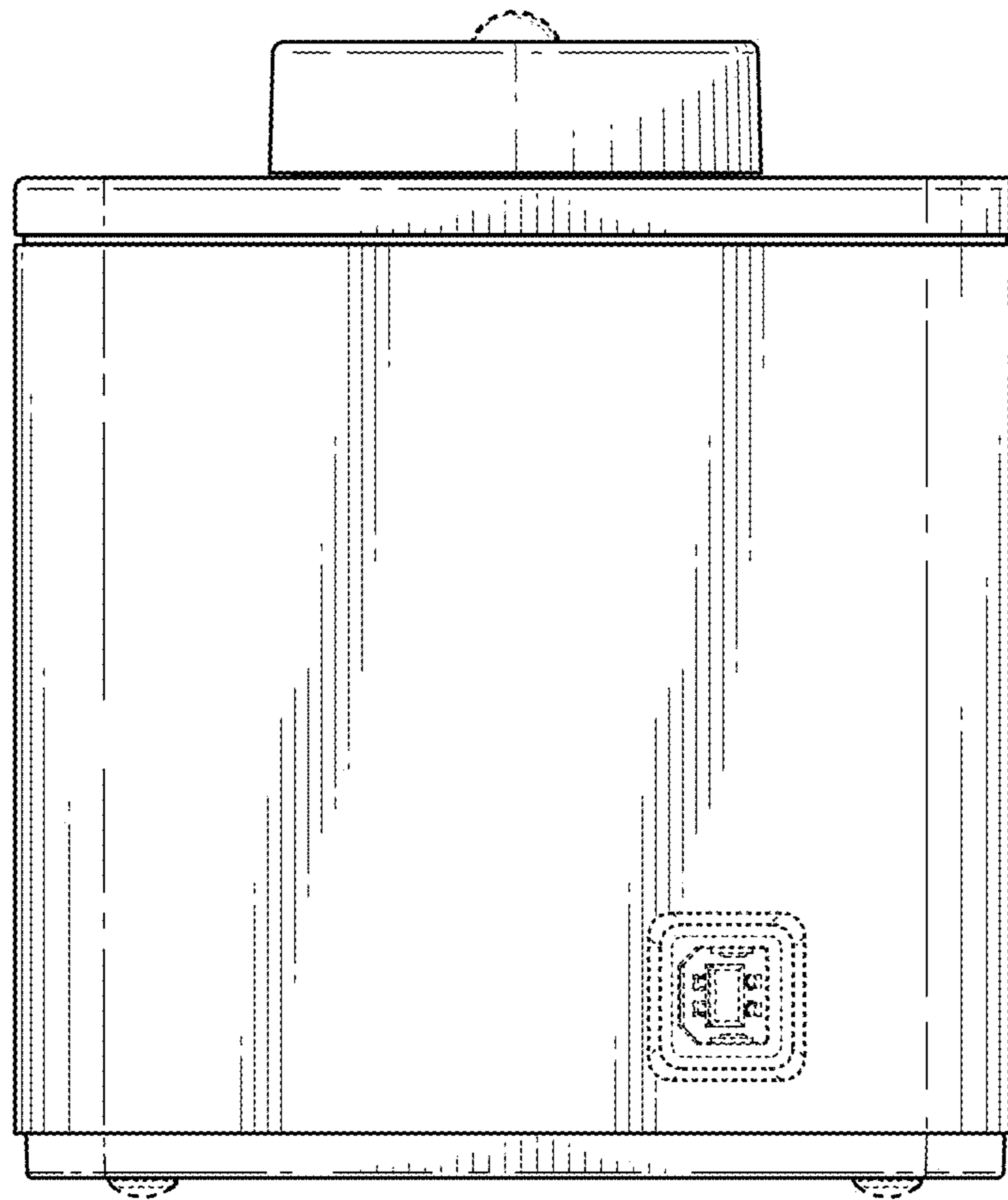


FIG. 3

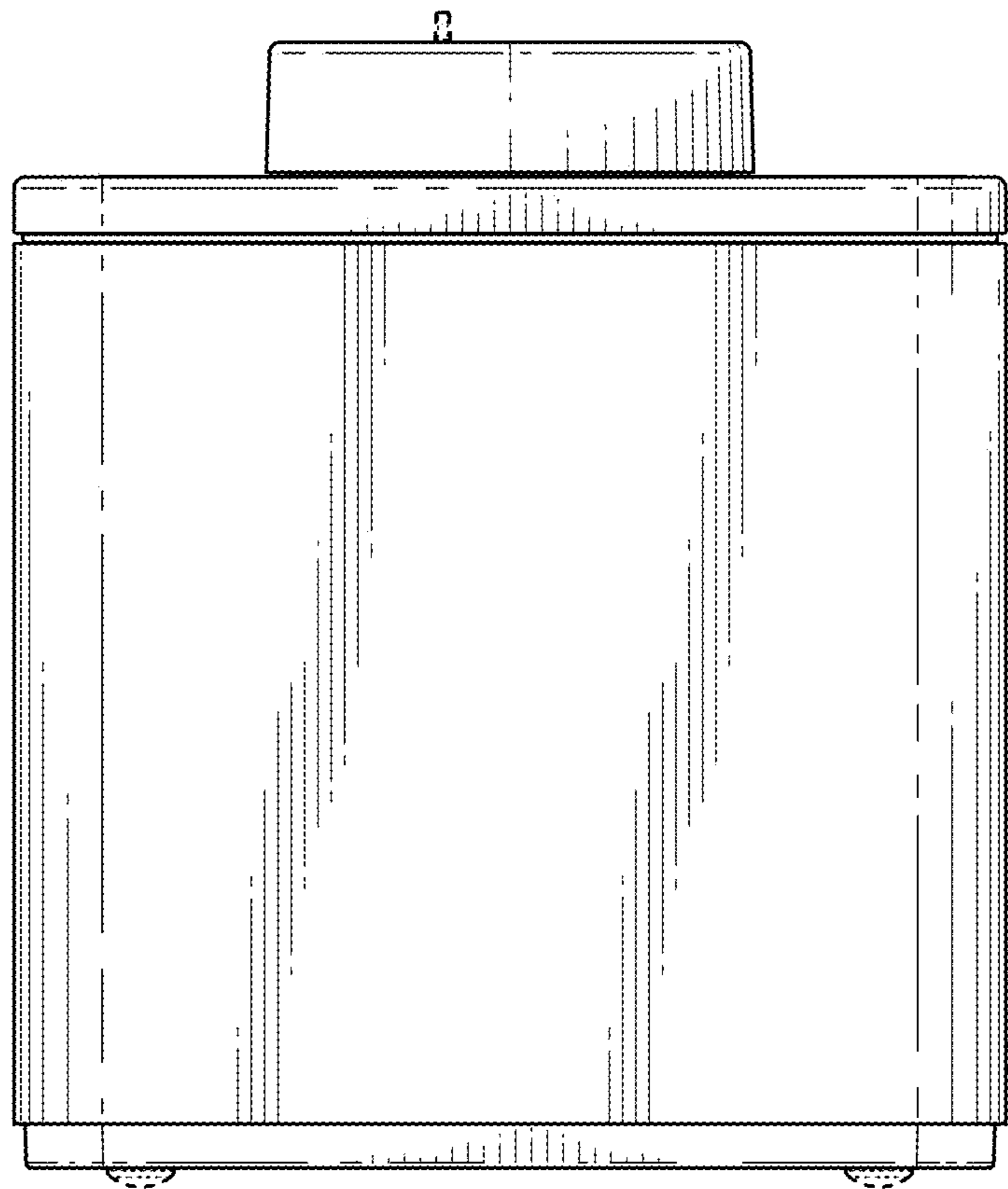


FIG. 4

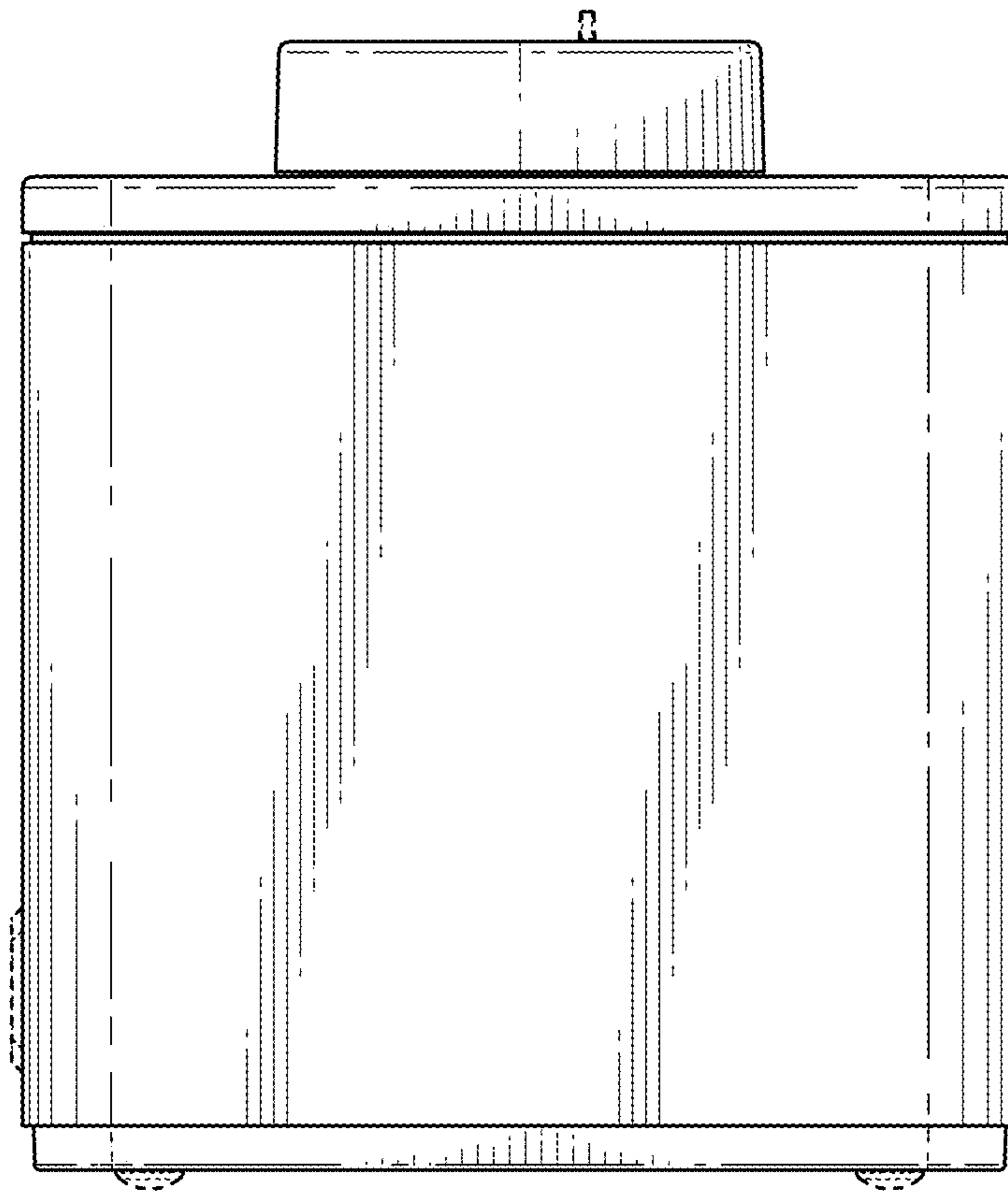


FIG. 5

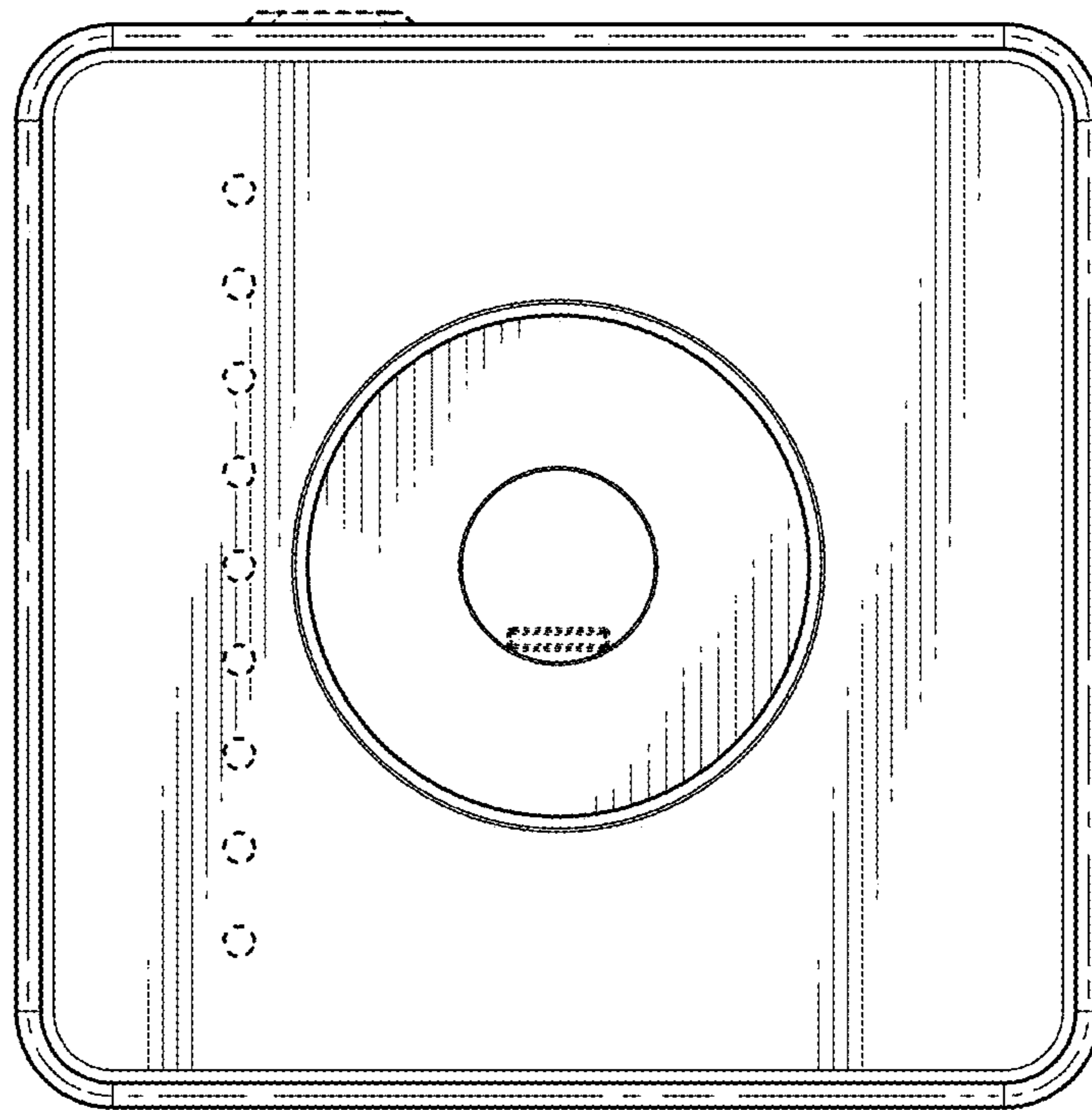


FIG. 6