



US00D921919S

(12) **United States Design Patent** (10) **Patent No.:** **US D921,919 S**
Aagaard (45) **Date of Patent:** **** Jun. 8, 2021**

(54) **HOUSING FOR A CENTRIFUGE** D413,676 S 9/1999 Lippoldt
D413,678 S 9/1999 Anderson et al.
(71) Applicant: **GEA MECHANICAL EQUIPMENT** D524,825 S 7/2006 Koch et al.
GMBH, Oelde (DE) D551,104 S 9/2007 Wounder
D569,008 S 5/2008 Lundqvist et al.
(72) Inventor: **Poul-Erik Aagaard, Sporup (DK)** D601,912 S 10/2009 Gebauer et al.
D632,801 S 2/2011 Kyle et al.
D694,423 S 11/2013 Klein et al.
(73) Assignee: **GEA MECHANICAL EQUIPMENT** D706,324 S 6/2014 Watts
GMBH, Oelde (DE) D754,754 S 4/2016 Wang et al.
D762,756 S 8/2016 Eliasson
(**) Term: **15 Years** D869,522 S * 12/2019 Brak D15/147
2002/0032111 A1 * 3/2002 Cornay B04B 7/08
(21) Appl. No.: **29/716,115** 2012/0010065 A1 * 1/2012 Reiff B04B 7/02
494/33
(22) Filed: **Dec. 6, 2019** 2014/0315706 A1 10/2014 Knospe et al.
2017/0182502 A1 6/2017 Aagaard et al. 494/60

Related U.S. Application Data

(62) Division of application No. 29/636,819, filed on Feb. 12, 2018, now Pat. No. Des. 893,741.

Foreign Application Priority Data

Aug. 30, 2017 (EP) 004171742

(51) **LOC (13) Cl.** **24-01**
(52) **U.S. Cl.**
USPC **D24/219; D15/147**

(58) **Field of Classification Search**
USPC D24/107, 185, 186, 216–219, 231–234;
D10/81; D15/147
CPC G01N 9/30; G01N 15/042; G01N 33/491;
B04B 7/02; B04B 15/02
See application file for complete search history.

(56) **References Cited**

U.S. PATENT DOCUMENTS

D252,811 S 9/1979 Arakawa
D280,628 S 9/1985 Besson
D343,904 S 2/1994 Silver et al.

* cited by examiner

Primary Examiner — Anhdao Doan

(74) *Attorney, Agent, or Firm* — Patent Portfolio Builders PLLC

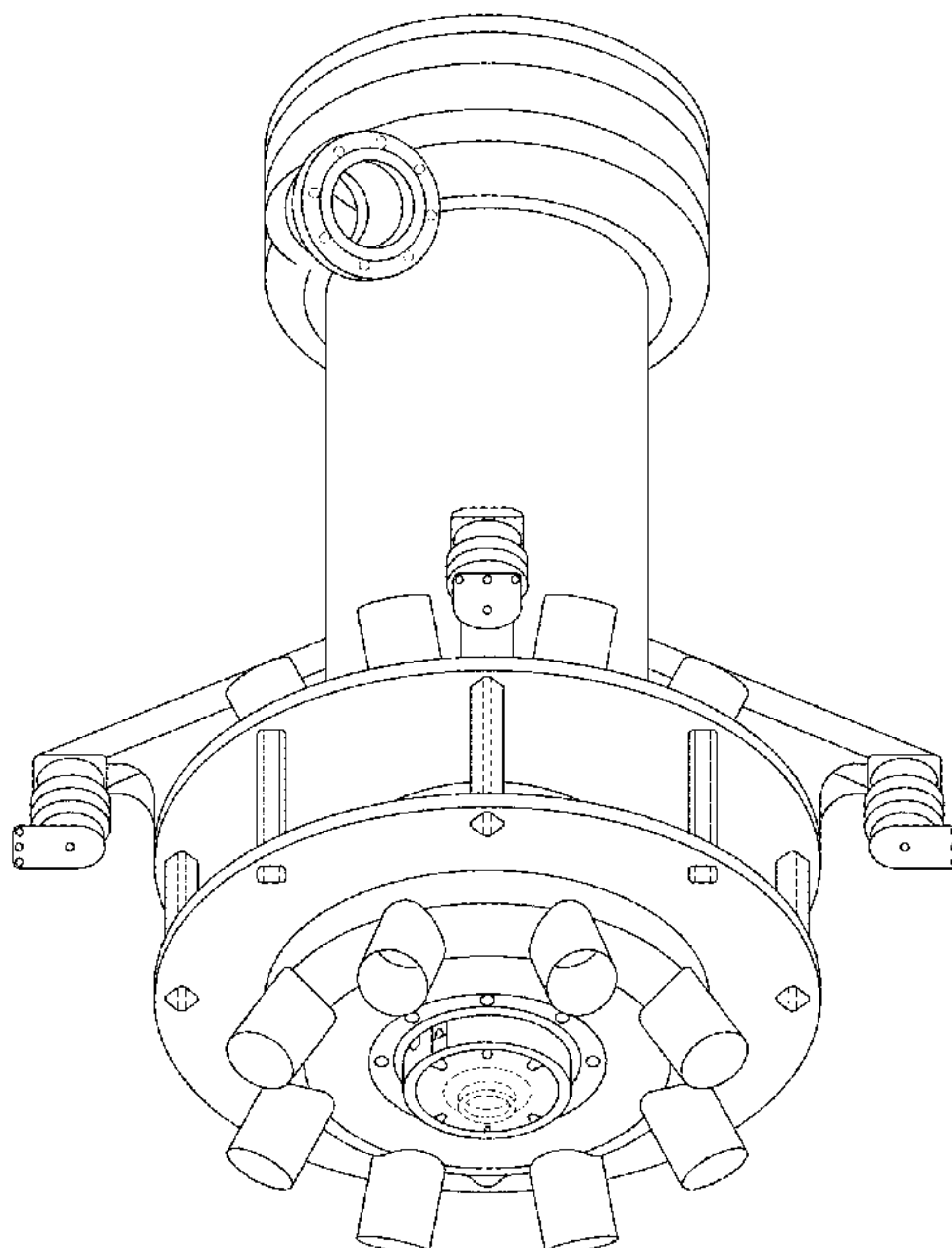
(57) **CLAIM**

The ornamental design for a housing for a centrifuge, as shown and described.

DESCRIPTION

FIG. 1 is a front view of a housing for a centrifuge;
FIG. 2 is a left side view of FIG. 1;
FIG. 3 is a rear view of FIG. 1;
FIG. 4 is a right side view of FIG. 1;
FIG. 5 is a bottom view of FIG. 1;
FIG. 6 is a top view of FIG. 1; and,
FIG. 7 is a perspective view of FIG. 1.
The broken lines depict portions of the housing for a centrifuge that form no part of the claimed design.

1 Claim, 7 Drawing Sheets



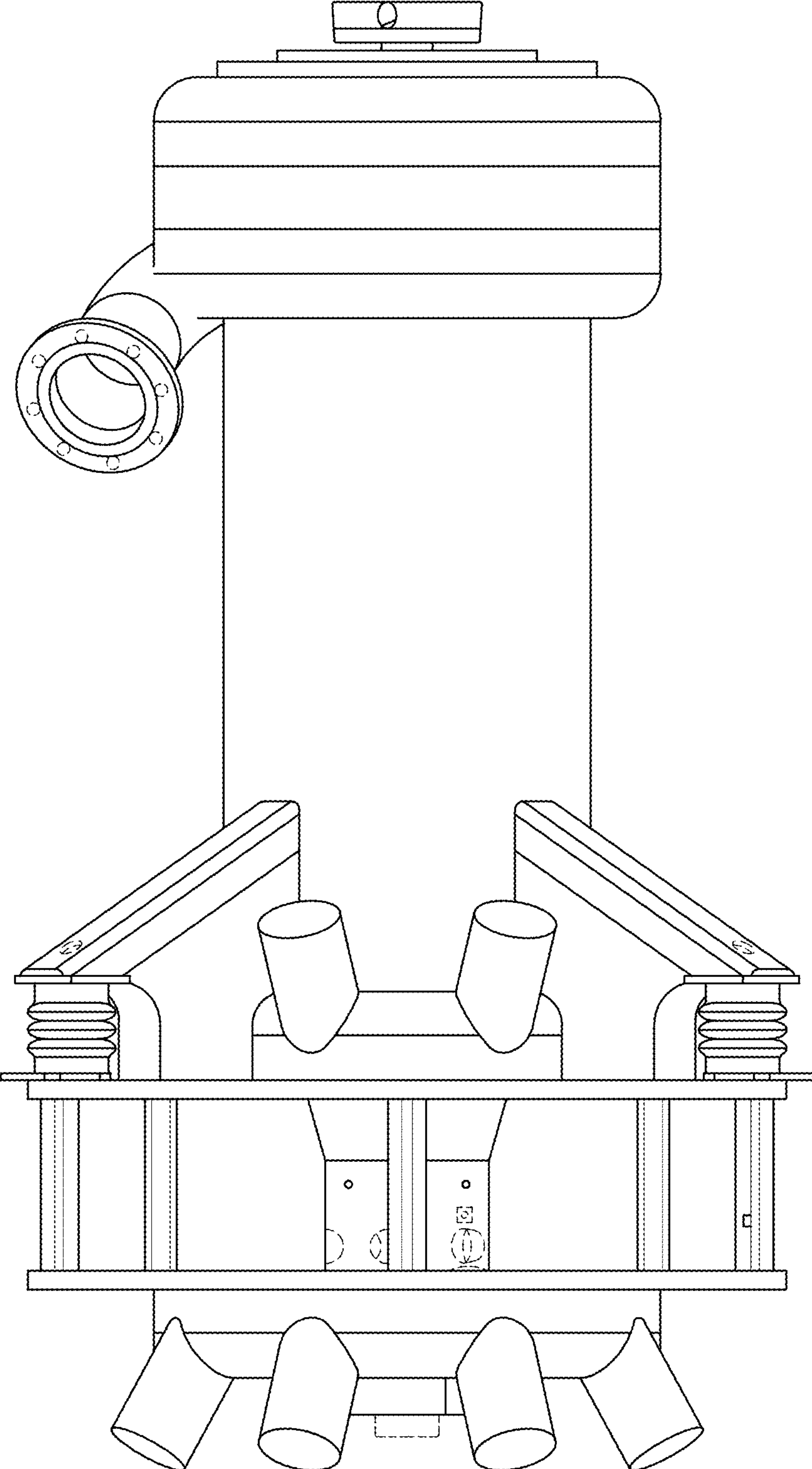


FIG. 1

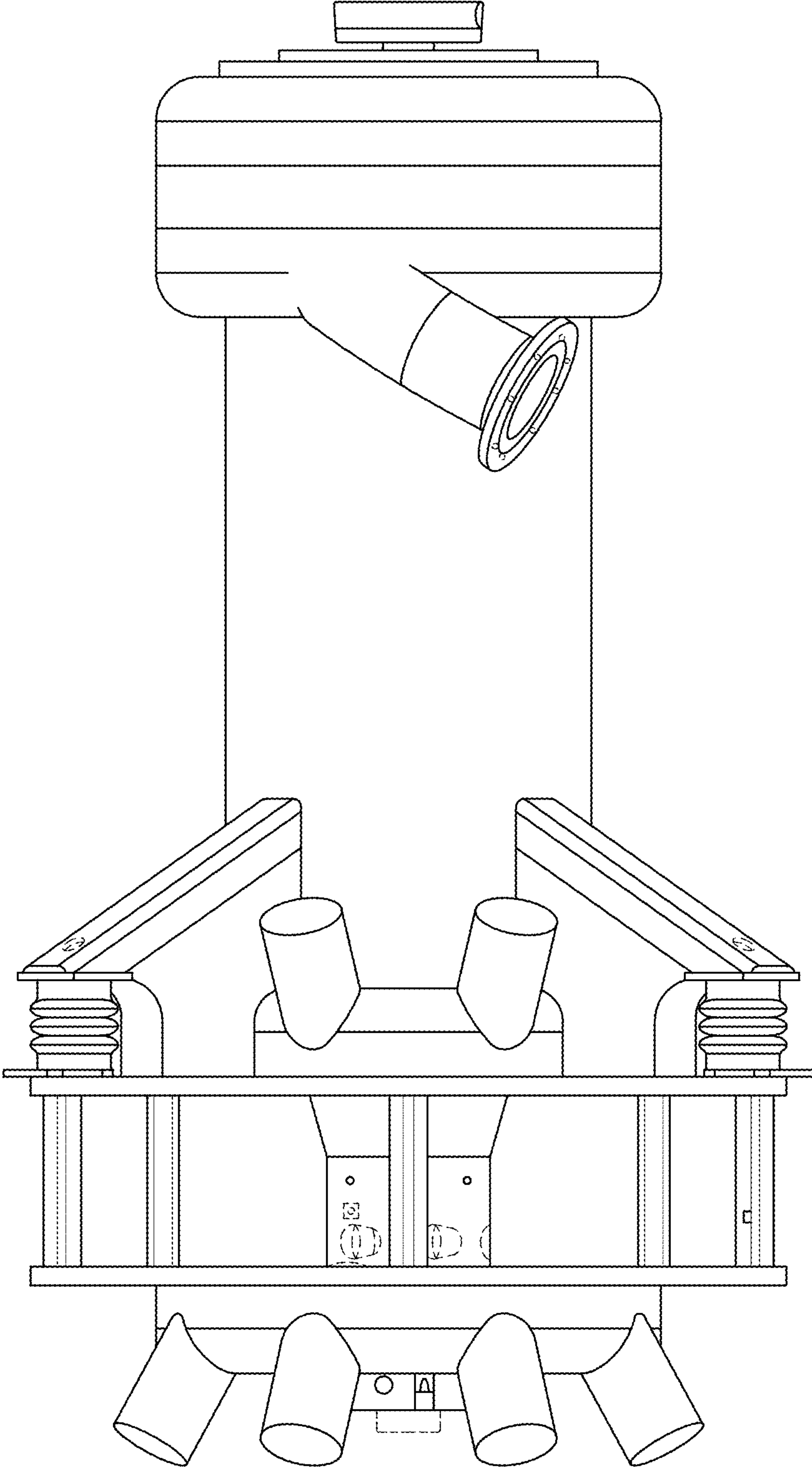


FIG. 2

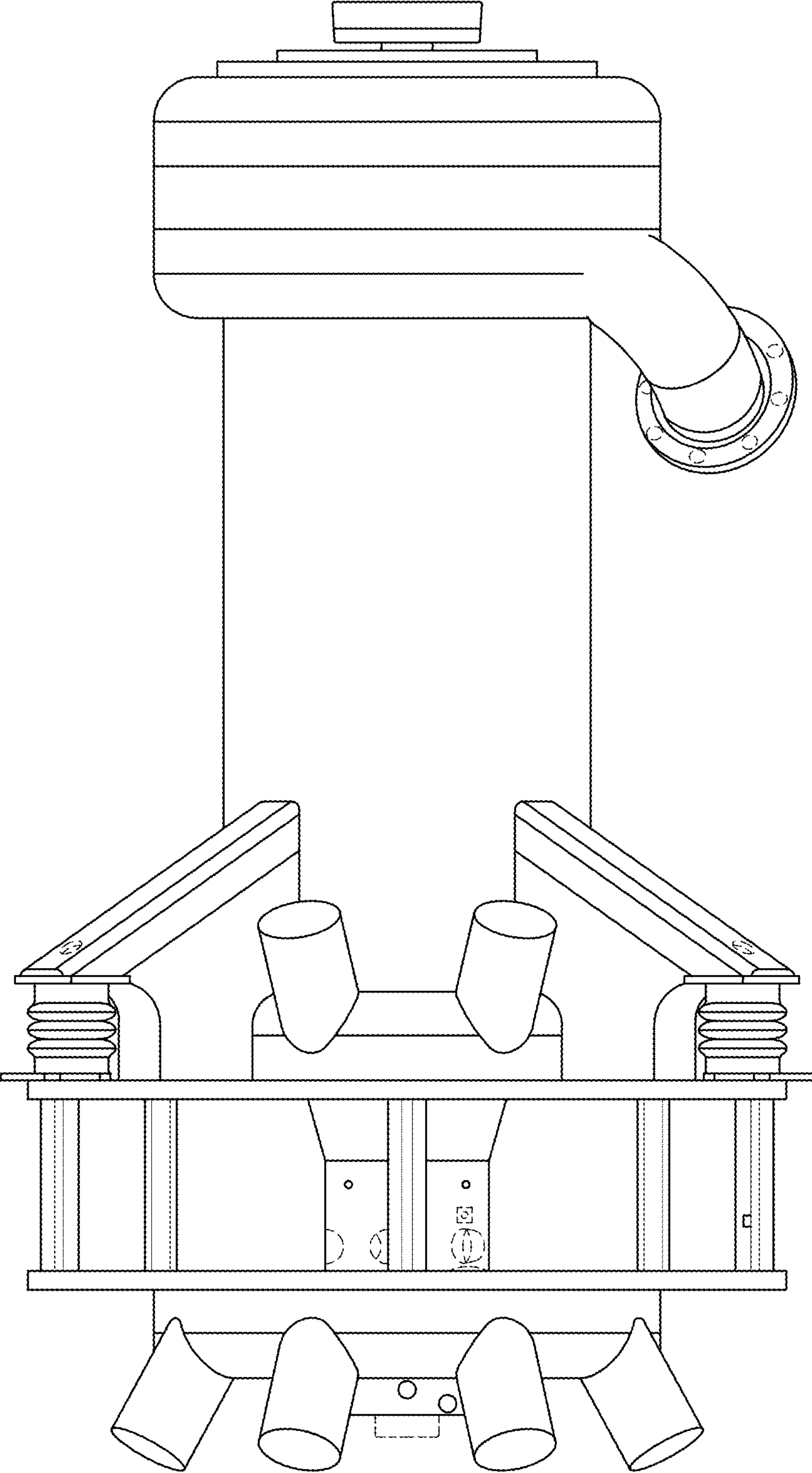


FIG. 3

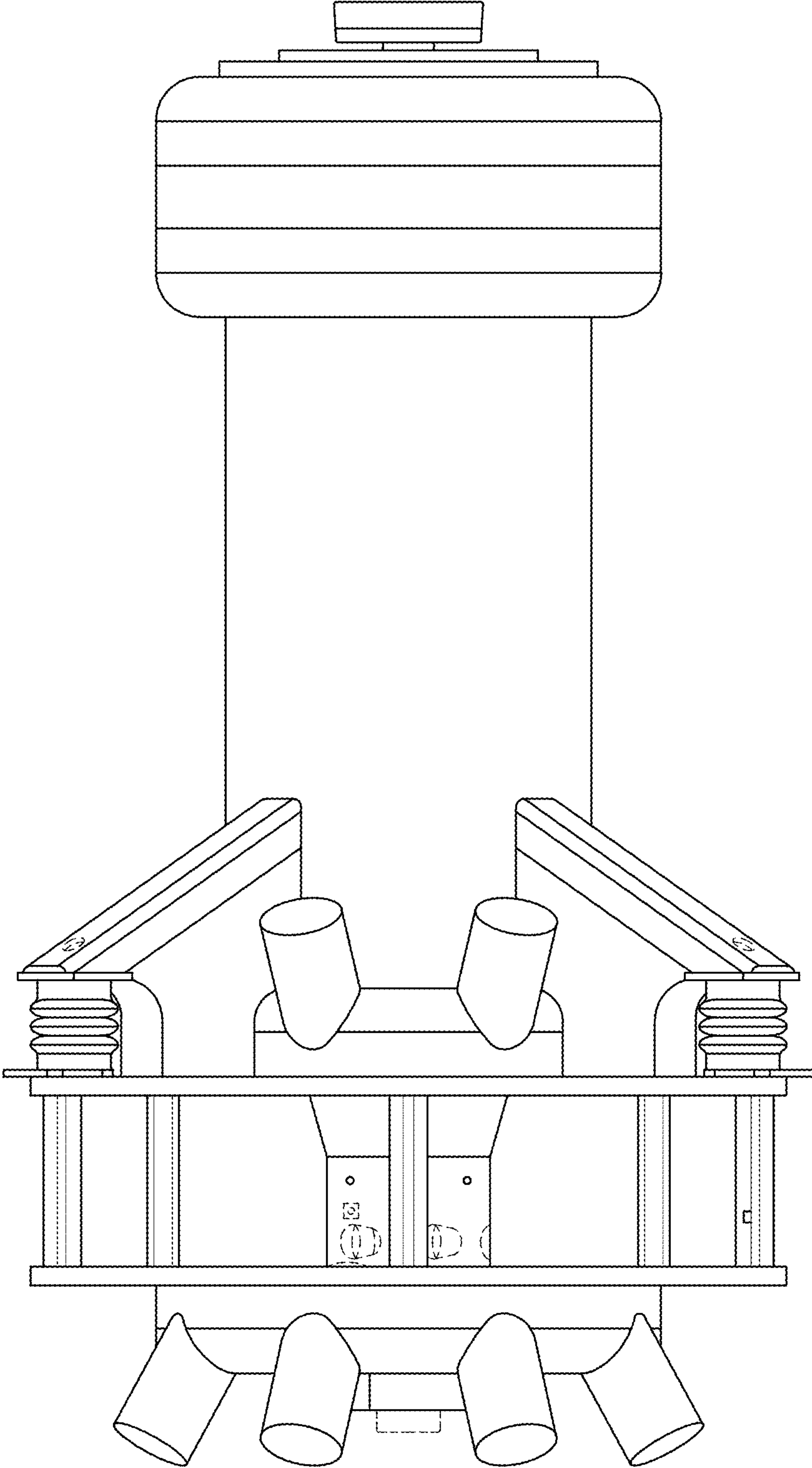


FIG. 4

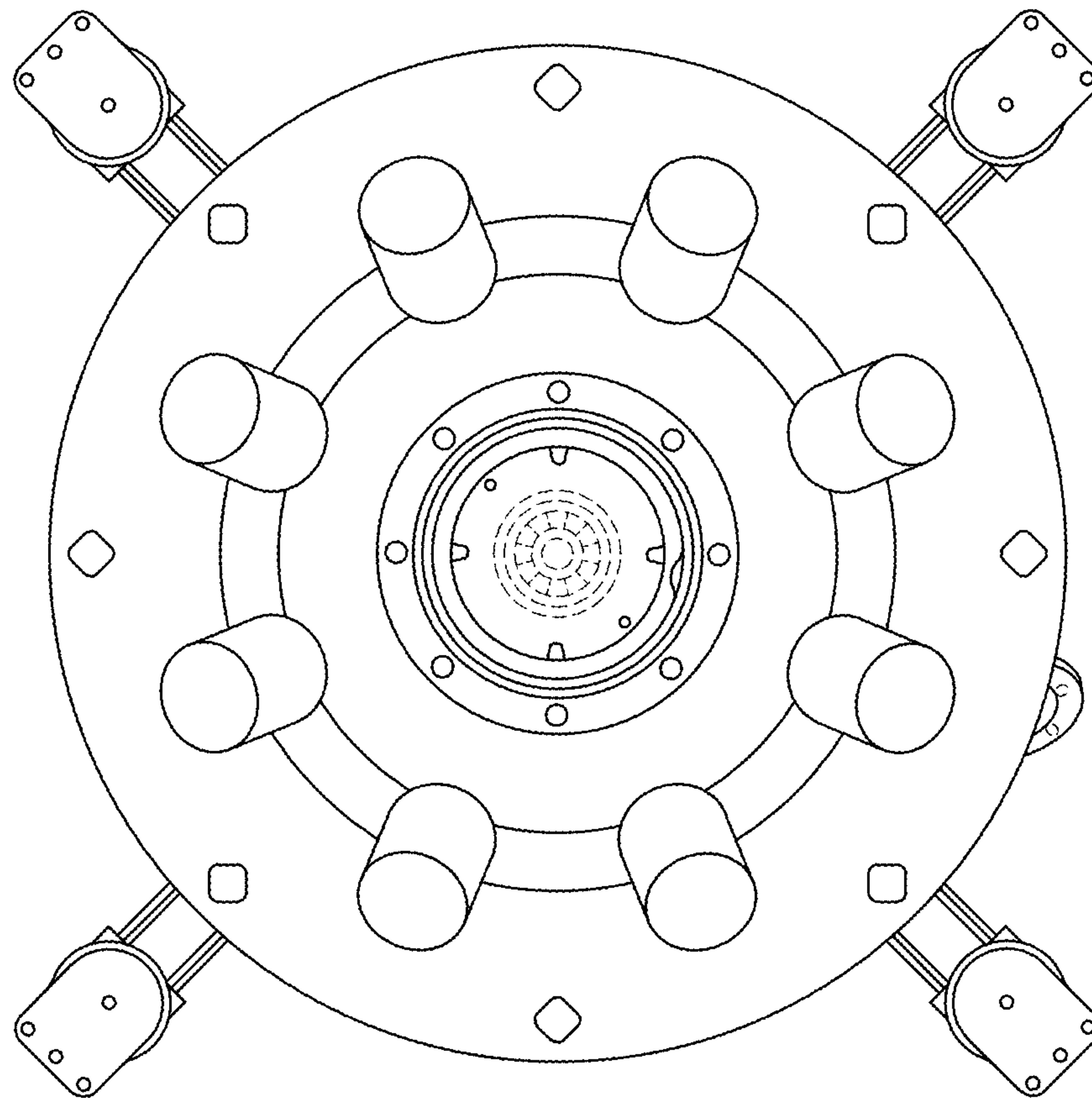


FIG. 5

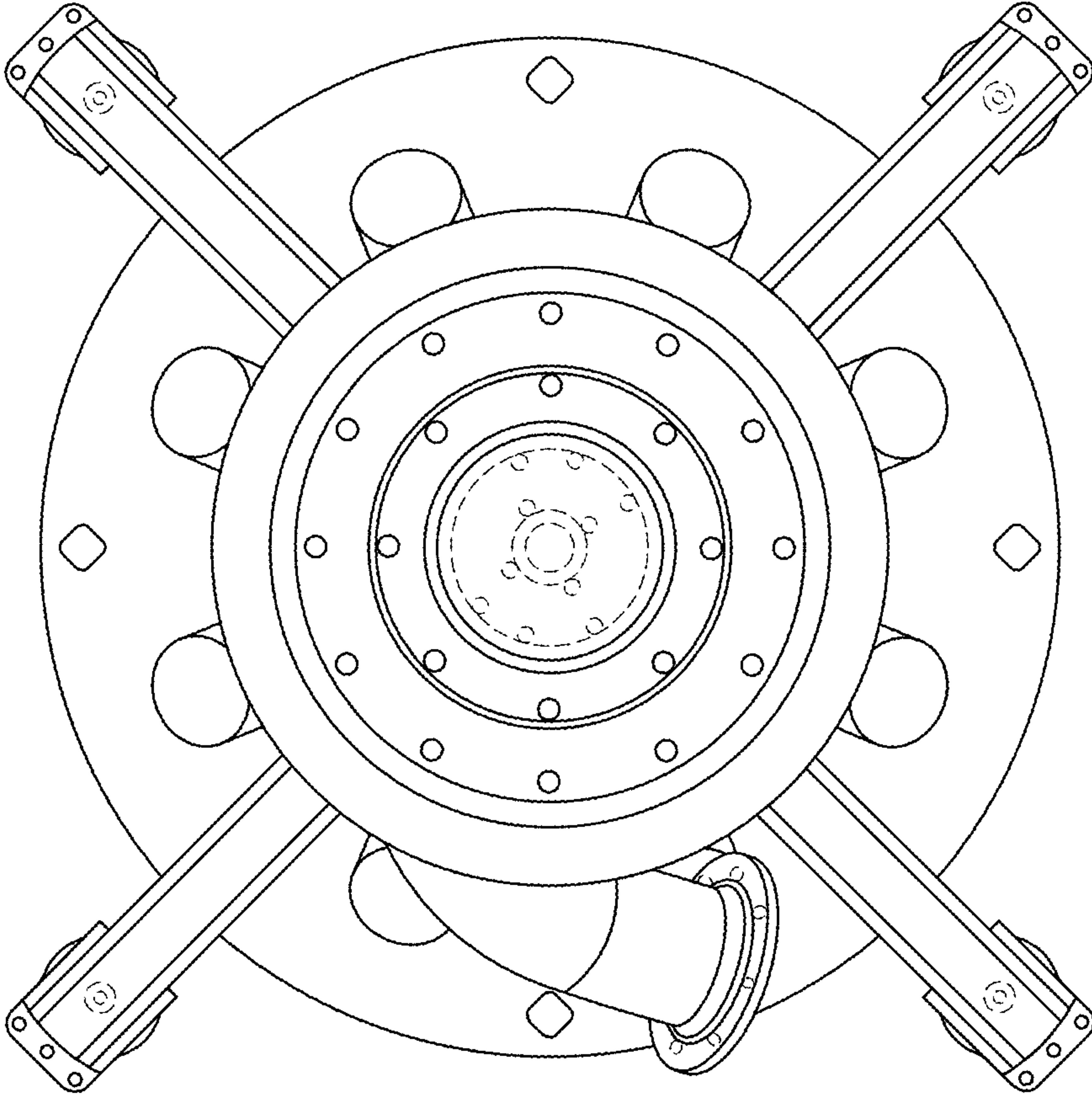


FIG. 6

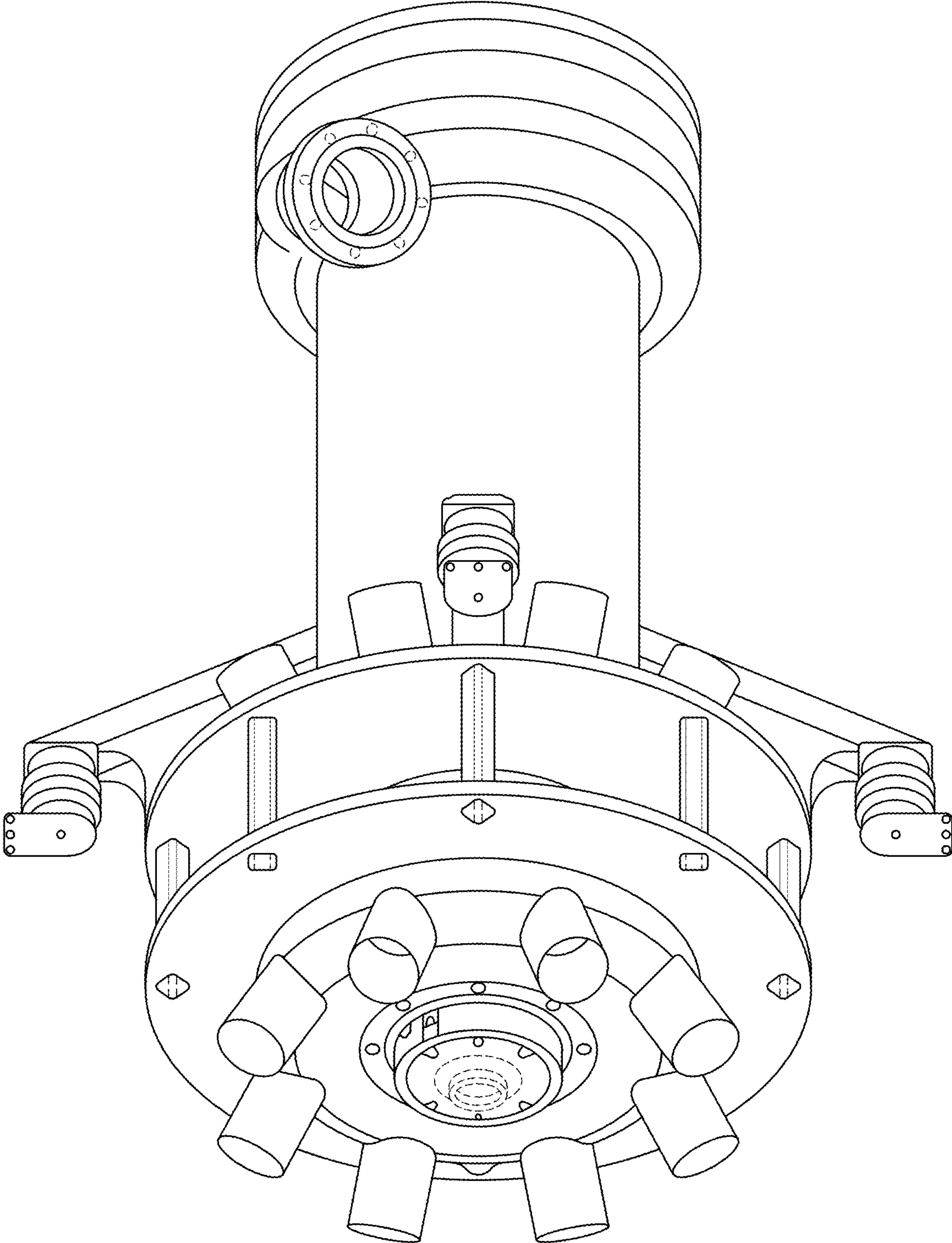


FIG. 7