



US00D921917S

(12) **United States Design Patent** (10) **Patent No.:** **US D921,917 S**
Xu (45) **Date of Patent:** **** Jun. 8, 2021**

(54) **DEEP TISSUE MASSAGER**
(71) Applicant: **YONG KANG AIJIU INDUSTRIAL & TRADE CO., LTD**, Zhejiang (CN)
(72) Inventor: **Lijun Xu**, Zhejiang (CN)
(73) Assignee: **YONG KANG AIJIU INDUSTRIAL & TRADE CO., LTD**, Yongkang (CN)

D884,205 S * 5/2020 Zhuang D24/215
D884,207 S * 5/2020 Ma D24/215
D884,915 S * 5/2020 Wersland D24/215
D885,601 S * 5/2020 Wersland D24/215
D886,317 S * 6/2020 Marton D24/215
D887,573 S * 6/2020 Wersland D24/215
D893,738 S * 8/2020 Zhuang D24/215
D895,133 S * 9/2020 Xu D24/215
D895,135 S * 9/2020 Xu D24/215

(Continued)

(**) Term: **15 Years**
(21) Appl. No.: **29/704,101**
(22) Filed: **Sep. 1, 2019**

(30) **Foreign Application Priority Data**
Aug. 8, 2019 (CN) 20193043058.8

(51) **LOC (13) Cl.** **28-03**
(52) **U.S. Cl.**

USPC **D24/215**
(58) **Field of Classification Search**
USPC D24/200, 211, 212, 213, 214, 215;
D8/14.1
CPC A61H 2015/0014; A61H 15/00; A61H
2015/0042
See application file for complete search history.

(56) **References Cited**
U.S. PATENT DOCUMENTS

D616,558 S * 5/2010 Tsai D24/200
10,314,762 B1 * 6/2019 Marton A61H 23/006
D855,822 S * 8/2019 Marton D24/215
D872,869 S * 1/2020 Lu D24/215
D873,432 S * 1/2020 Duan D24/214
D874,015 S * 1/2020 Marton D24/215
D875,961 S * 2/2020 Li 24/211
D877,351 S * 3/2020 Wersland D24/215
D879,985 S * 3/2020 Wersland D24/214
D879,986 S * 3/2020 Wersland D24/214
D880,714 S * 4/2020 Wersland D24/215
D880,715 S * 4/2020 Wersland D24/215
D880,716 S * 4/2020 Wersland D24/215

OTHER PUBLICATIONS

Amazon, "Massage Gun", Apr. 2, 2020. https://www.amazon.com/Professional-Massager-Percussion-Handheld-Stiffness/dp/B08BYP4JRR/ref=sr_1_8?dchild=1&keywords=W%26Z+store+massage+gun&qid=1615909032&sr=8-8. shown on p. 1. (Year: 2020).*

Primary Examiner — Cynthia Ramirez
Assistant Examiner — Michael A Maharajh

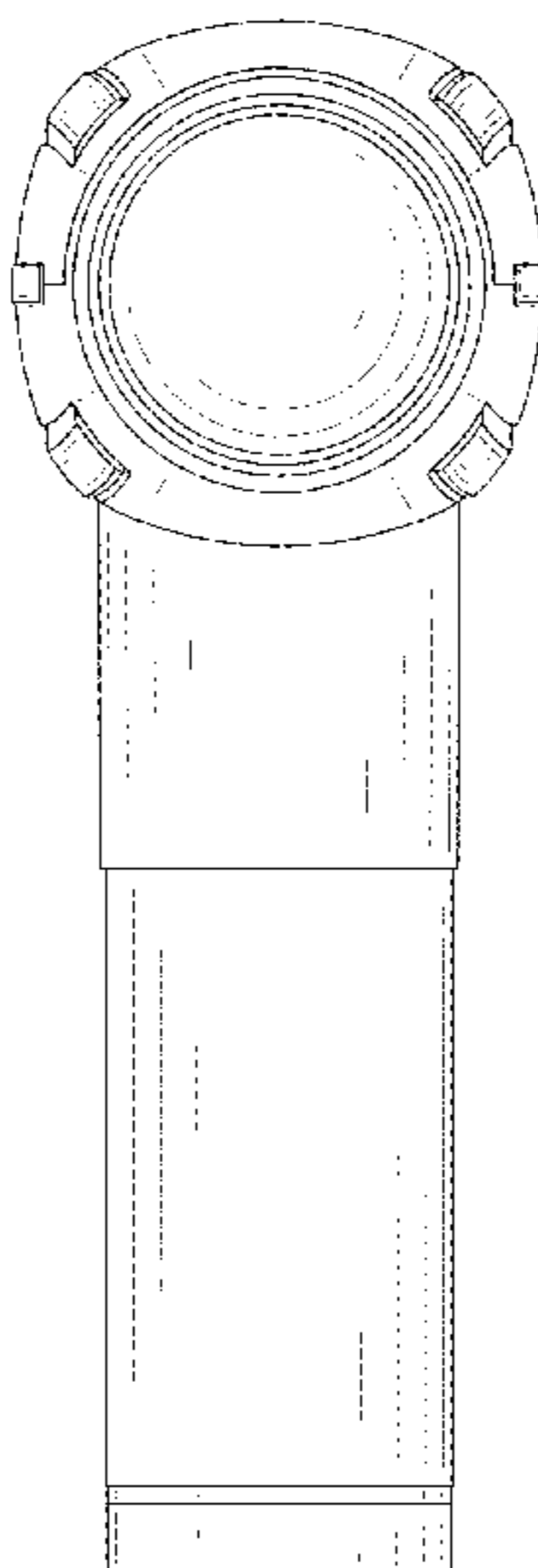
(57) **CLAIM**

The ornamental design for a deep tissue massager, as shown and described.

DESCRIPTION

FIG. 1 is a front elevational view of a deep tissue massager showing my new design;
FIG. 2 is a rear elevational view thereof;
FIG. 3 is a left side view thereof;
FIG. 4 is a right side view thereof;
FIG. 5 is a top plan view thereof;
FIG. 6 is a bottom plan view thereof;
FIG. 7 is a top, front and right side perspective view thereof; and,
FIG. 8 is a bottom, rear and left side perspective view thereof.
The broken lines in the drawings illustrate portions of the deep tissue massager which form no part of the claimed design.

1 Claim, 8 Drawing Sheets



(56)

References Cited

U.S. PATENT DOCUMENTS

D895,831	S	*	9/2020	Chen	D24/215
D896,396	S	*	9/2020	Wersland	D24/215
D898,209	S	*	10/2020	Xu	D24/214
D898,933	S	*	10/2020	Xu	D24/215
D899,620	S	*	10/2020	Huang	D24/215
D905,863	S	*	12/2020	Lin	D24/215
D906,533	S	*	12/2020	Xu	D24/215
D907,229	S	*	1/2021	Zhang	D24/215
D907,230	S	*	1/2021	Zhang	D24/215
D908,908	S	*	1/2021	Xu	D24/215
D910,194	S	*	2/2021	Radtke	D24/215
D911,535	S	*	2/2021	Yu	D24/200
D912,267	S	*	3/2021	Tang	D24/215
D912,268	S	*	3/2021	Xiang	D24/215
2018/0200141	A1	*	7/2018	Wersland	A61H 23/006

* cited by examiner

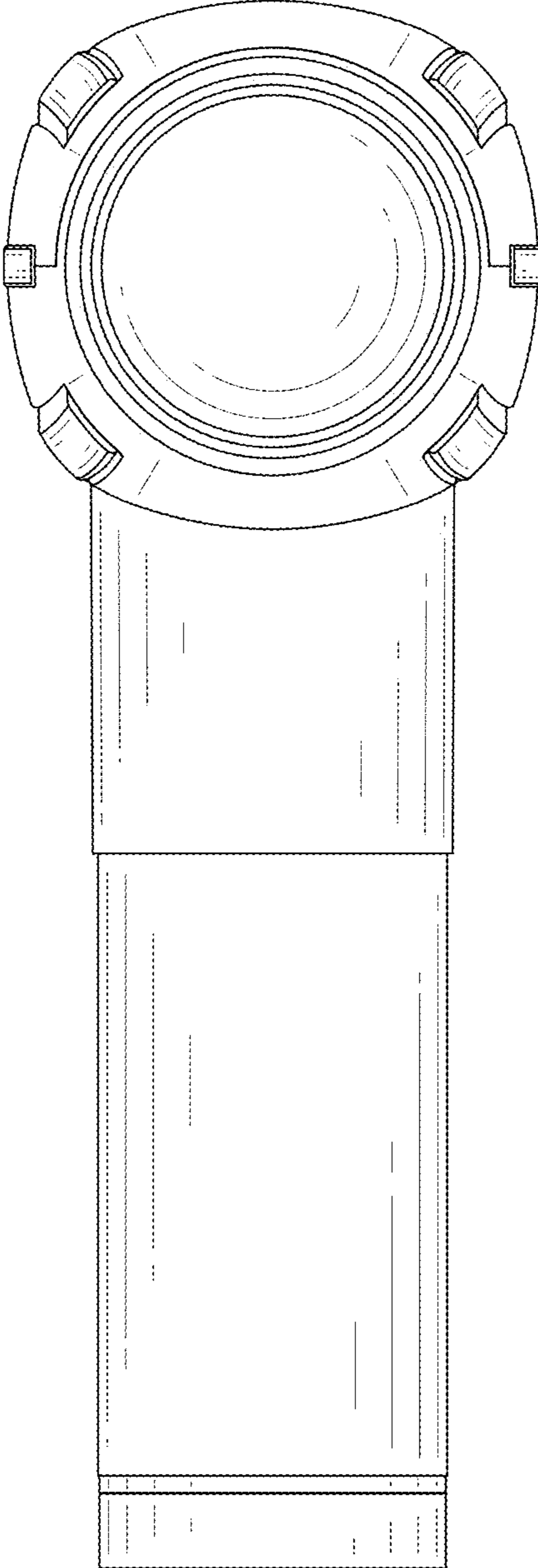


FIG. 1

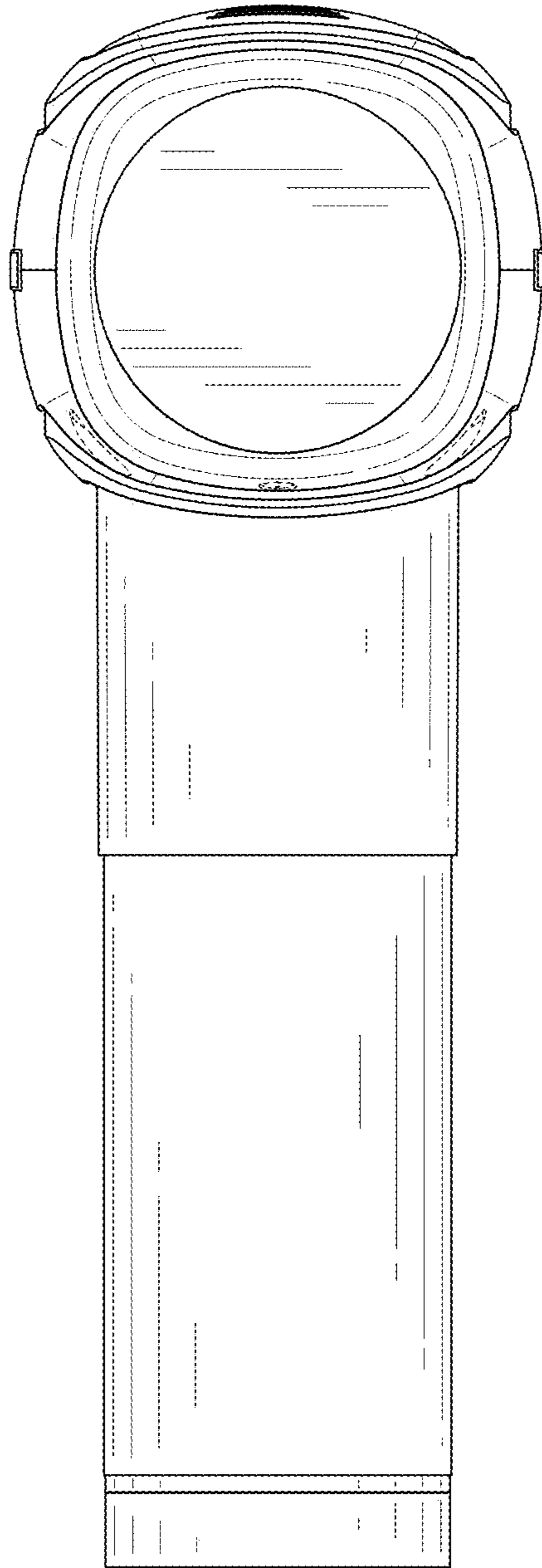


FIG. 2

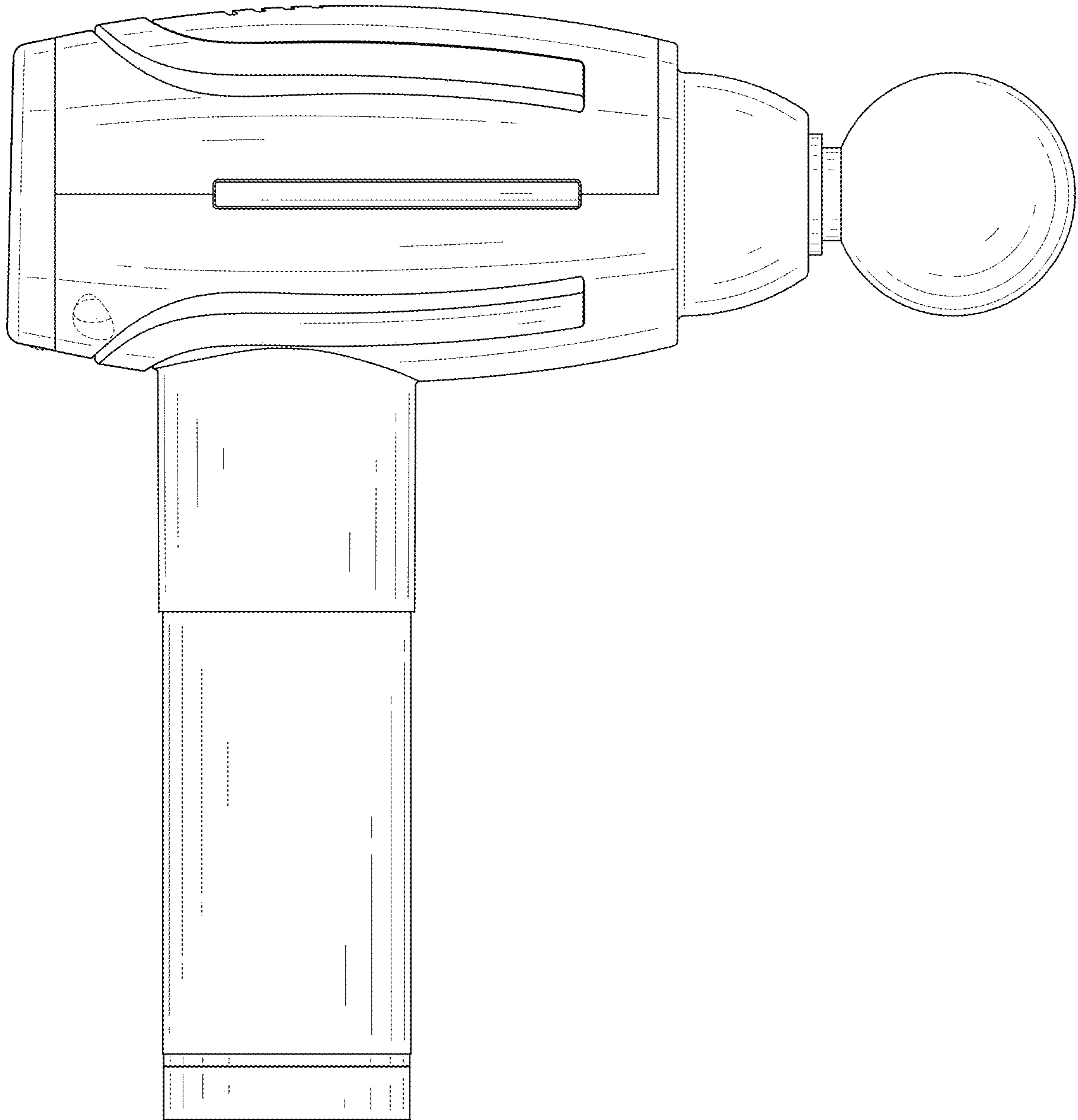


FIG. 3

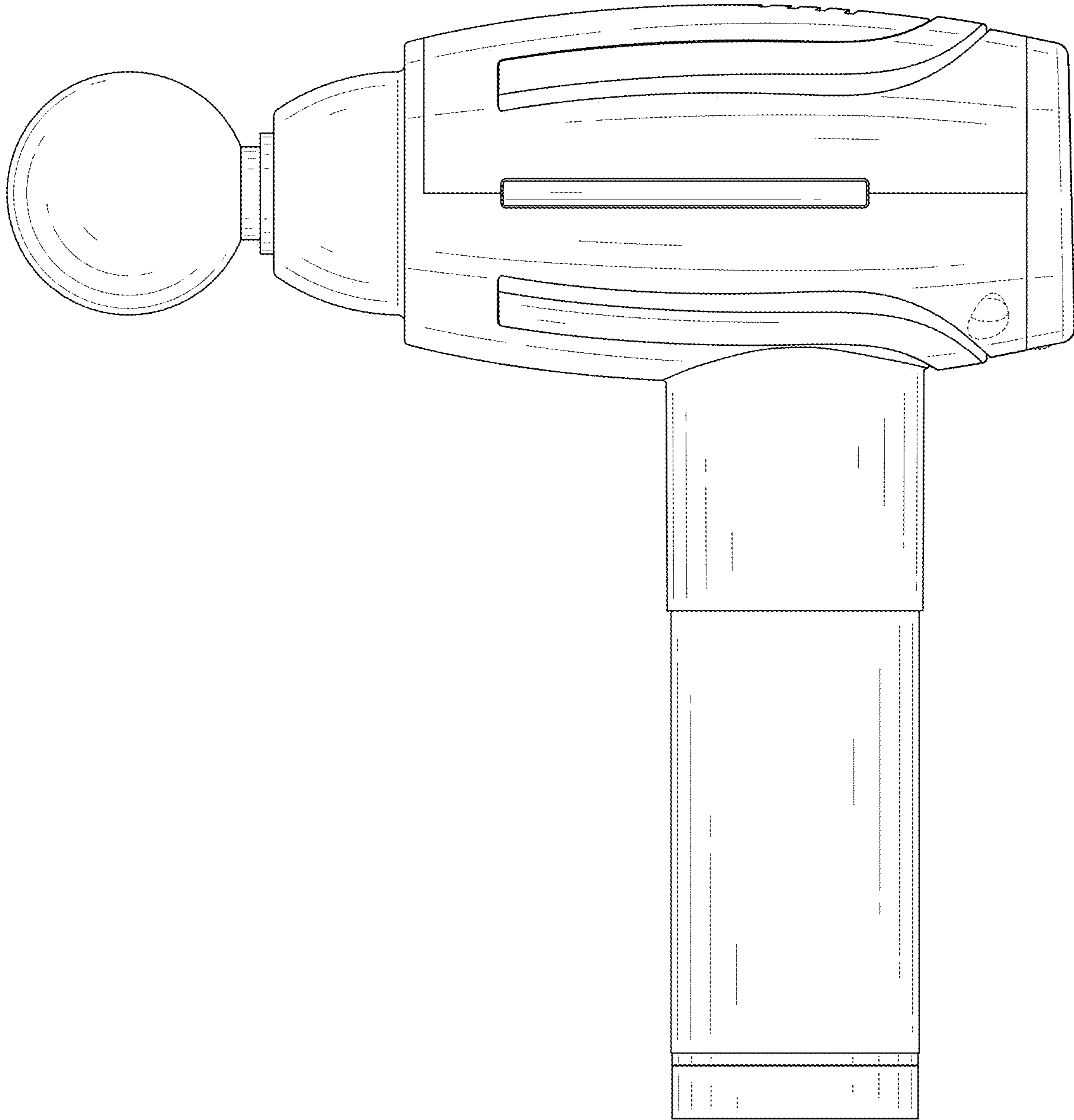


FIG. 4

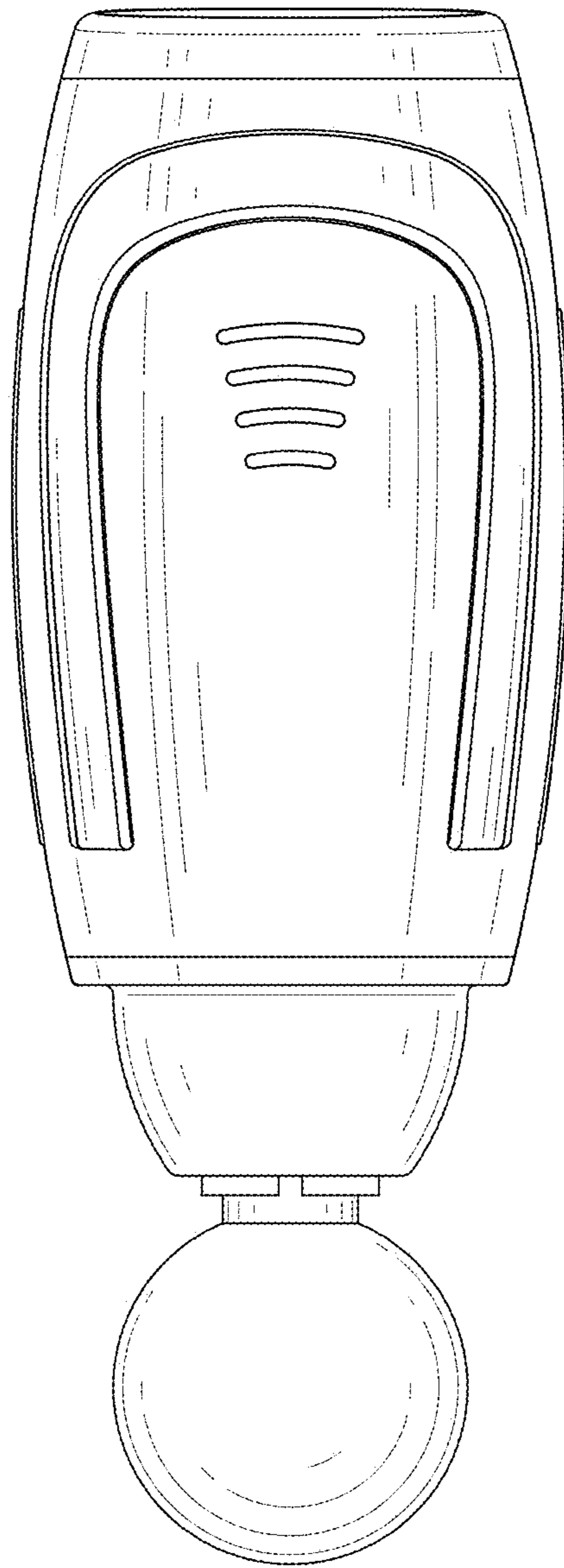


FIG. 5

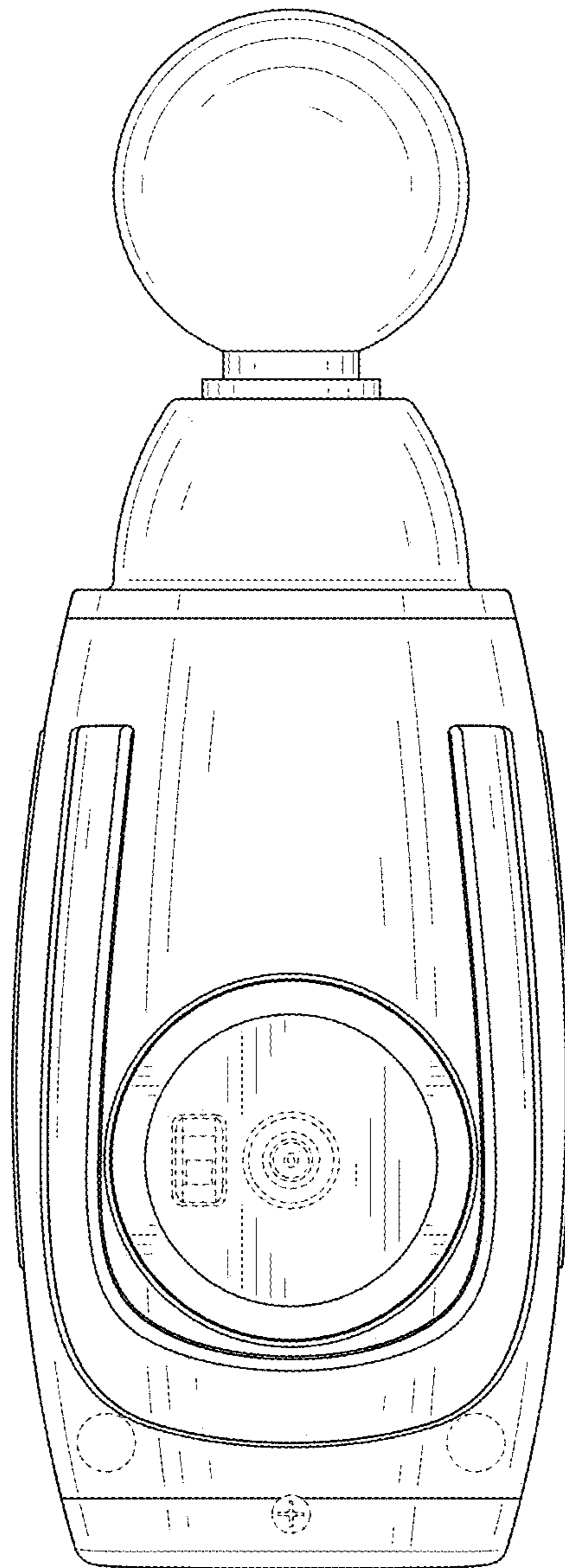


FIG. 6

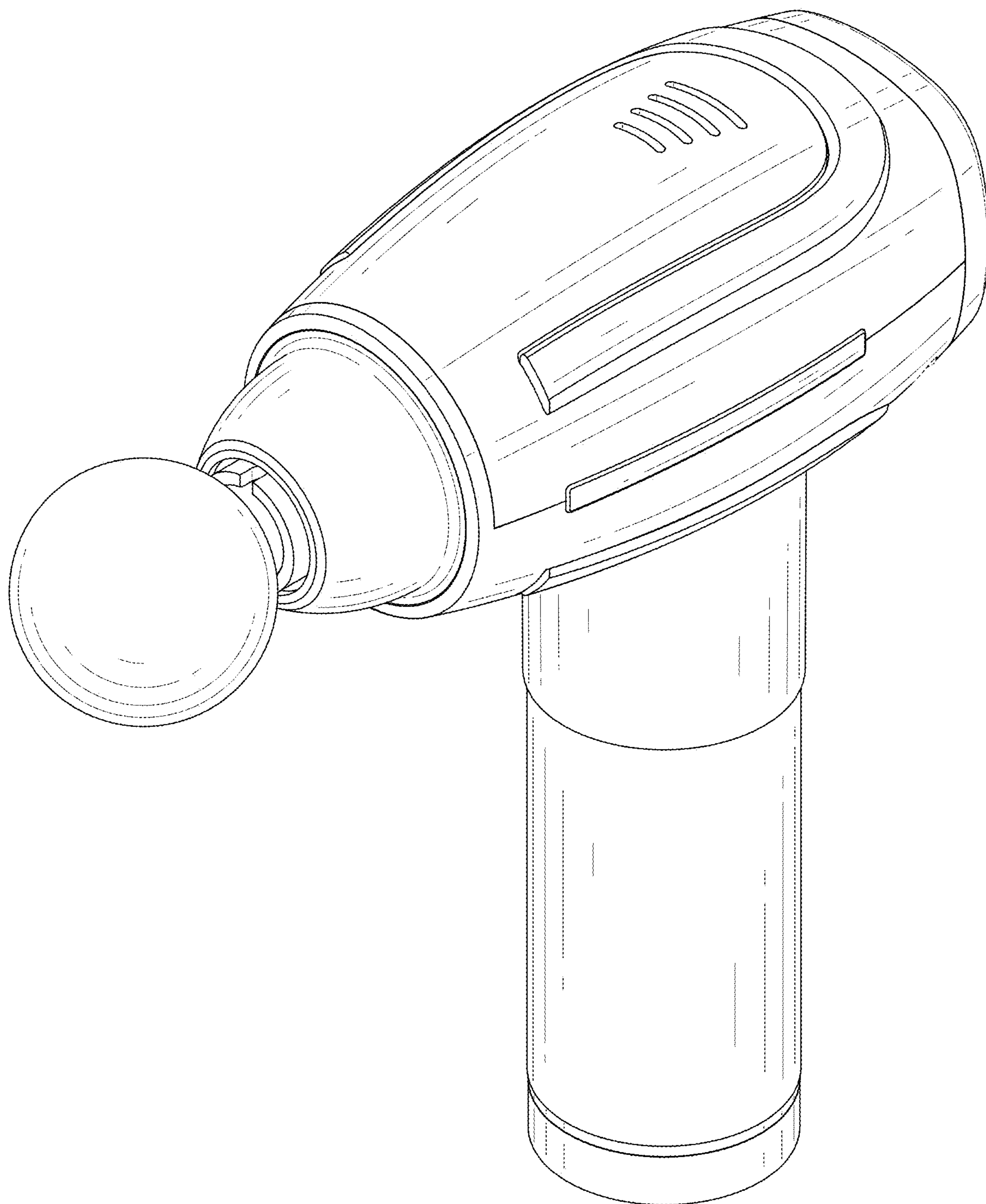


FIG. 7

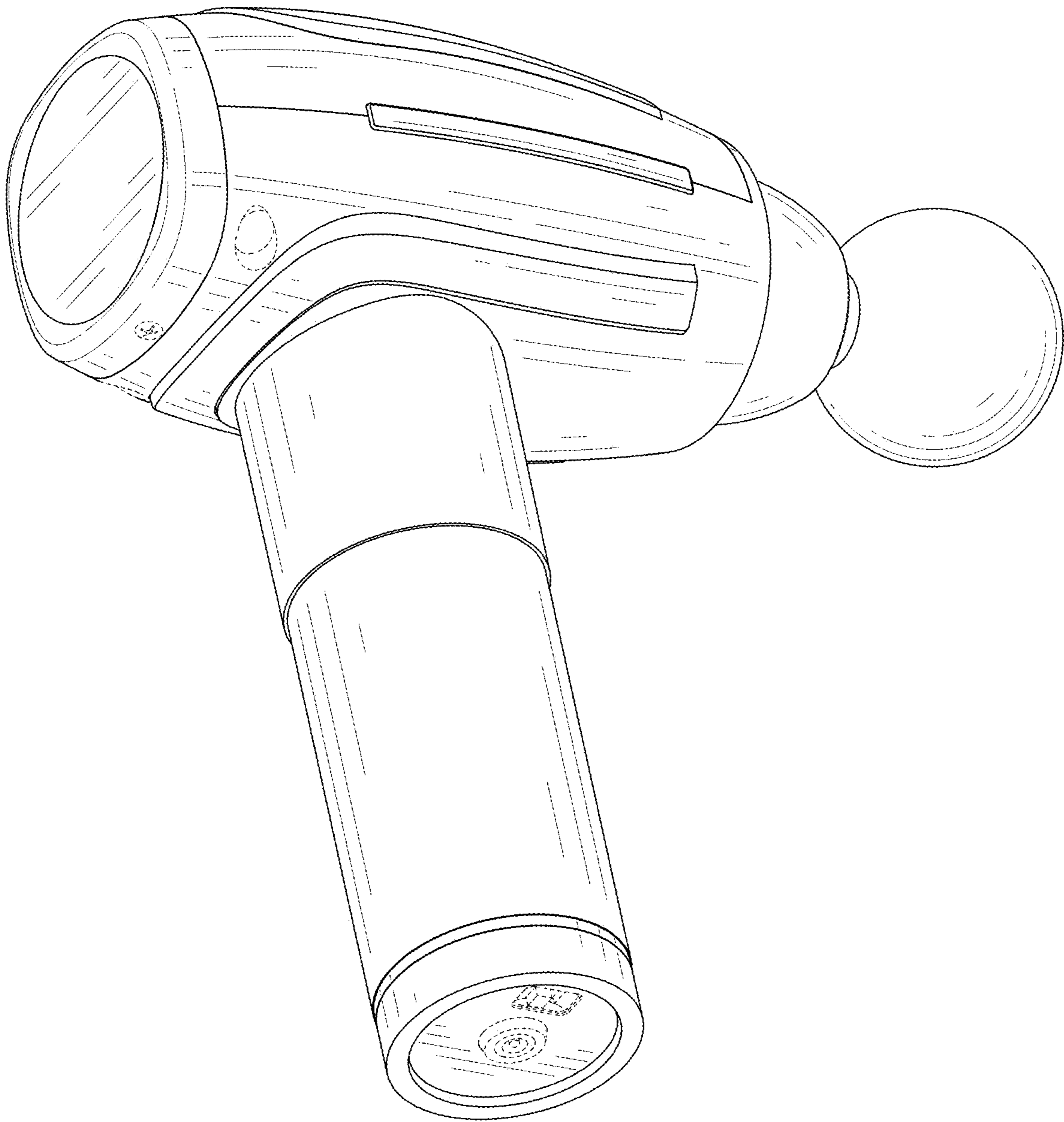


FIG. 8